

United States Patent [19]

Lee

[11] Patent Number: **Des. 303,994**

[45] Date of Patent: **** Oct. 10, 1989**

[54] **CANDY DISPENSER**

[76] Inventor: **George C. Lee, 17879 Santa Valera St., Fountain Valley, Calif. 92708**

[**] Term: **14 Years**

[21] Appl. No.: **901,155**

[22] Filed: **Aug. 26, 1986**

[52] U.S. Cl. **D20/7**

[58] Field of Search **D20/3, 7, 8; 221/10, 221/6, 13, 11, 12, 15, 17, 18**

[56] **References Cited**

U.S. PATENT DOCUMENTS

D. 42,175 2/1912 Millard D20/7
D. 49,333 7/1916 Giles D20/7

1,109,134 9/1914 Millard 194 X/255
1,414,502 5/1922 Case 194/255
2,614,673 10/1952 Obodzinski 194/255
2,684,143 7/1954 Obodzinski 194/255

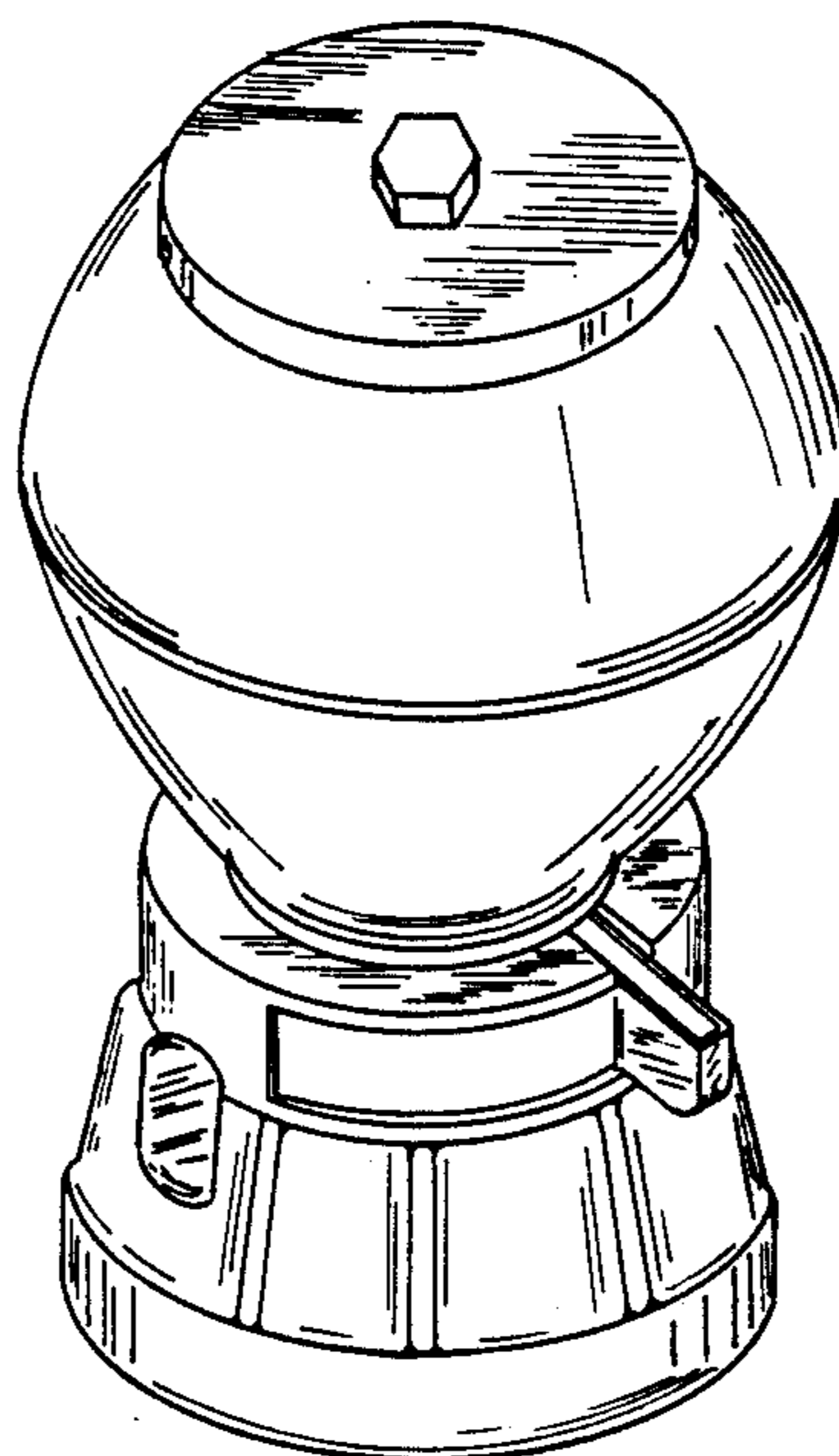
Primary Examiner—Bruce W. Dunkins
Assistant Examiner—Y. Brunot
Attorney, Agent, or Firm—Timothy T. Tyson

[57] CLAIM

The ornamental design for a candy dispenser, as shown.

DESCRIPTION

FIG. 1 is perspective view of a candy dispenser, showing my new design;
FIG. 2 is a front elevational view;
FIG. 3 is a rear elevational view;
FIG. 4 is a top plan view; and
FIG. 5 is a bottom plan view.



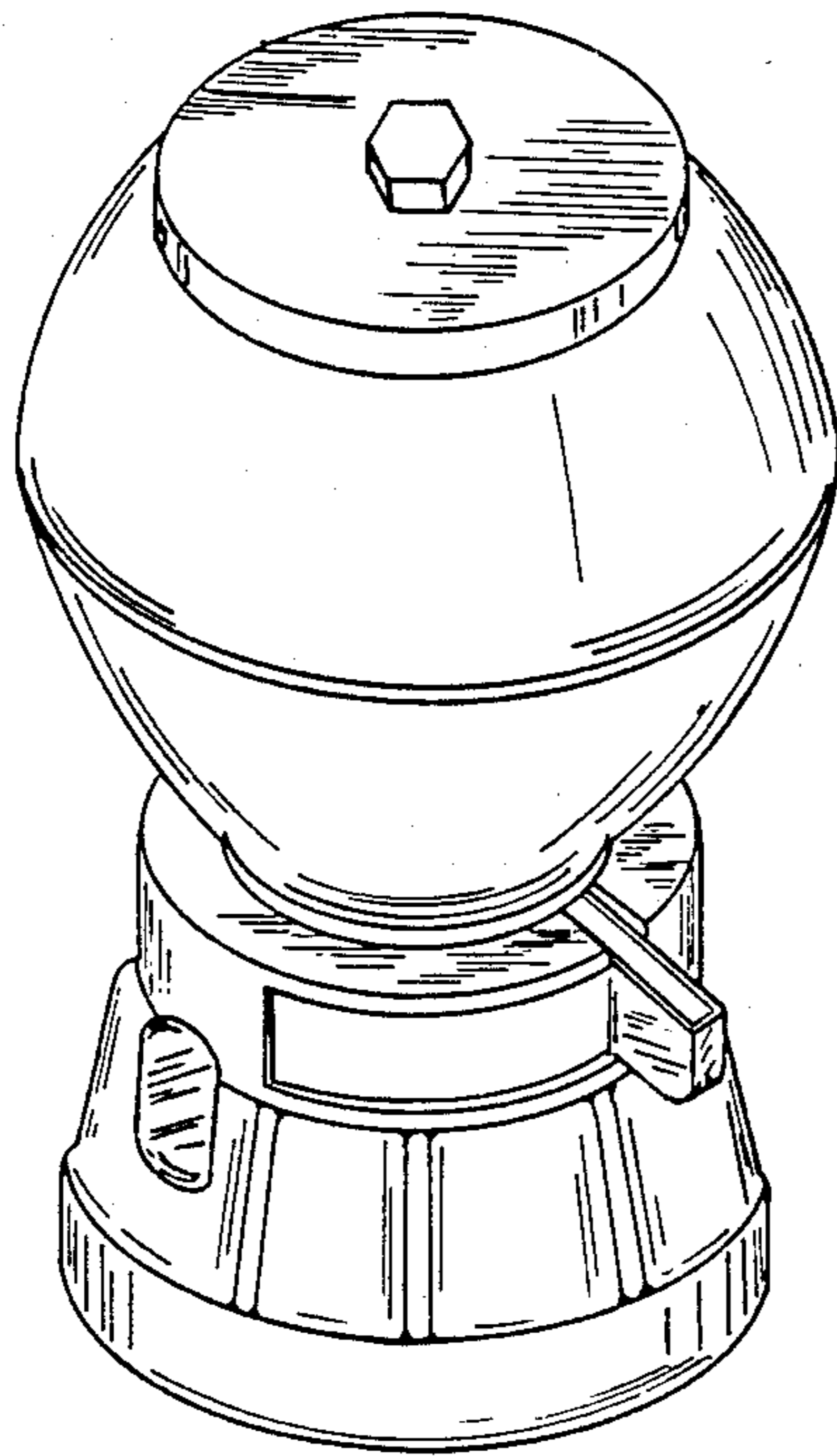


FIG 1.

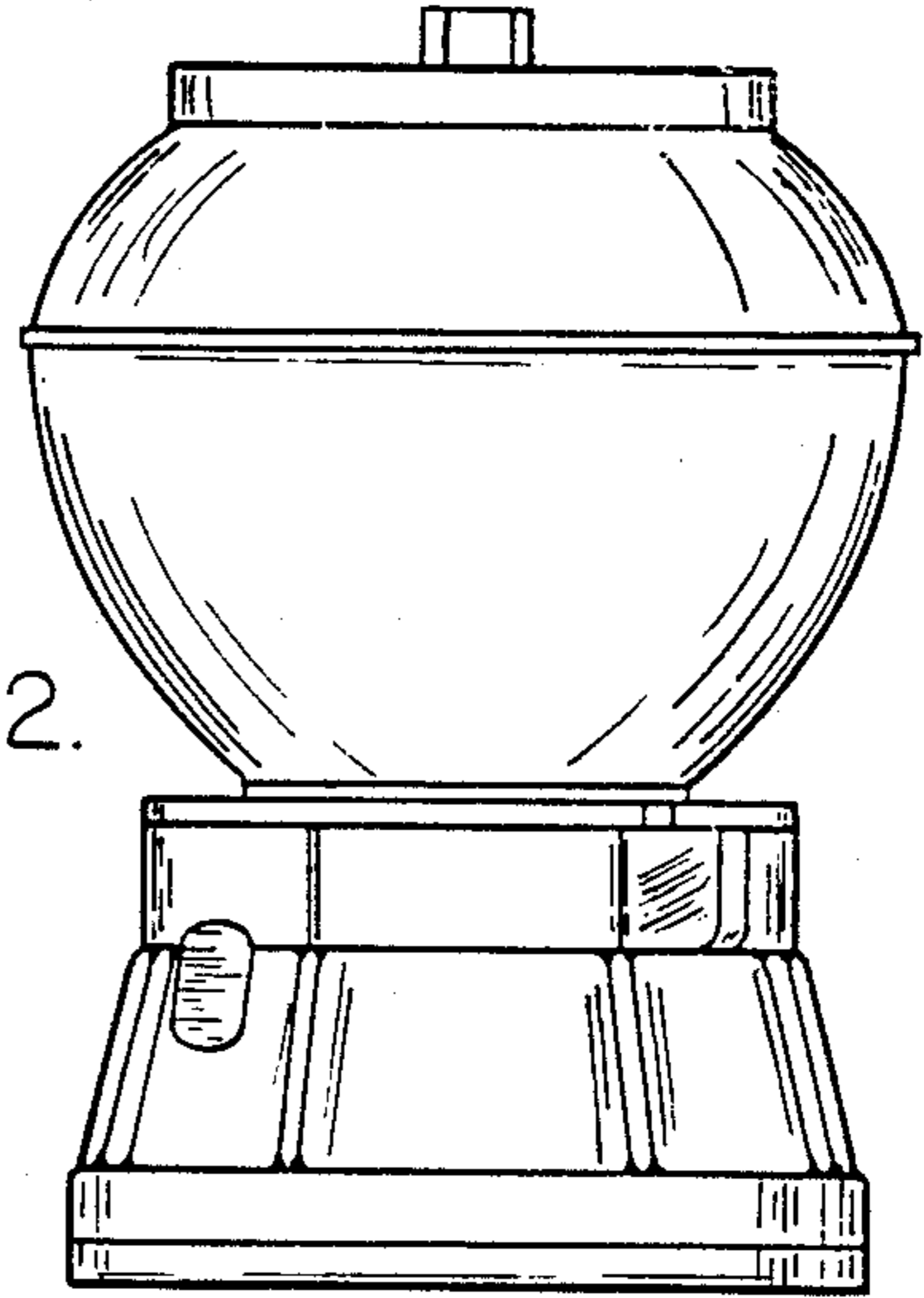


FIG 2.

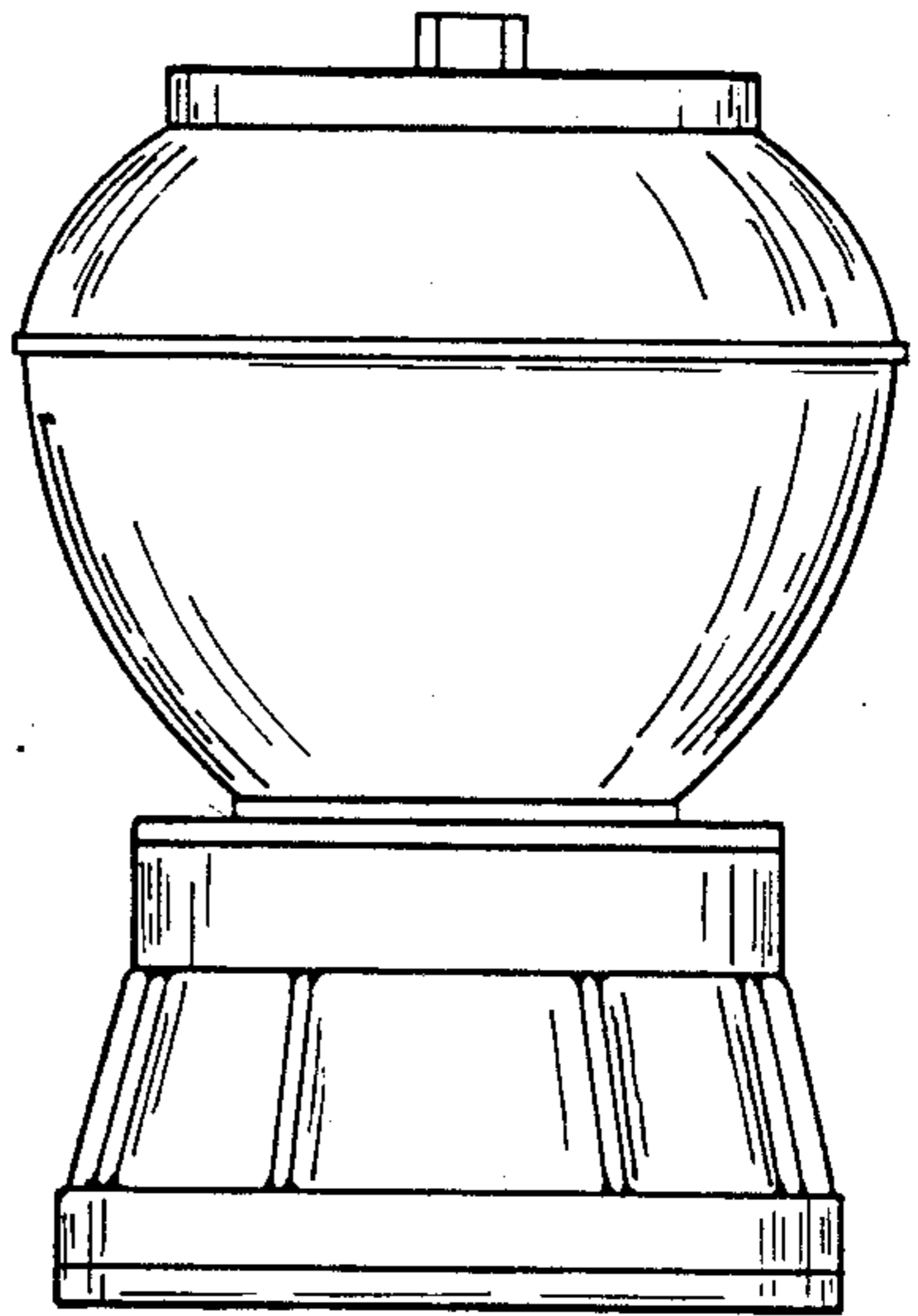


FIG 3.

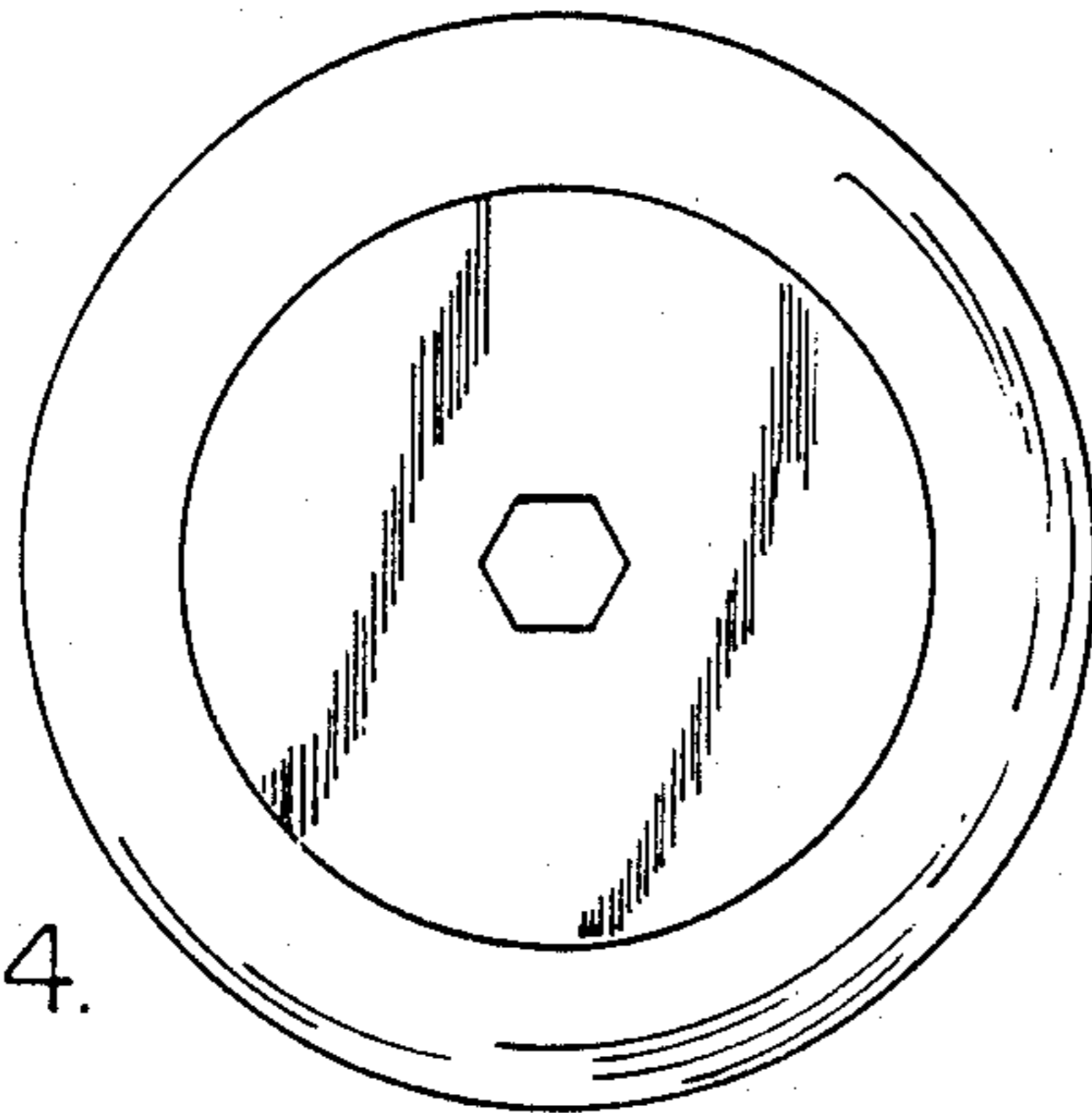


FIG 4.

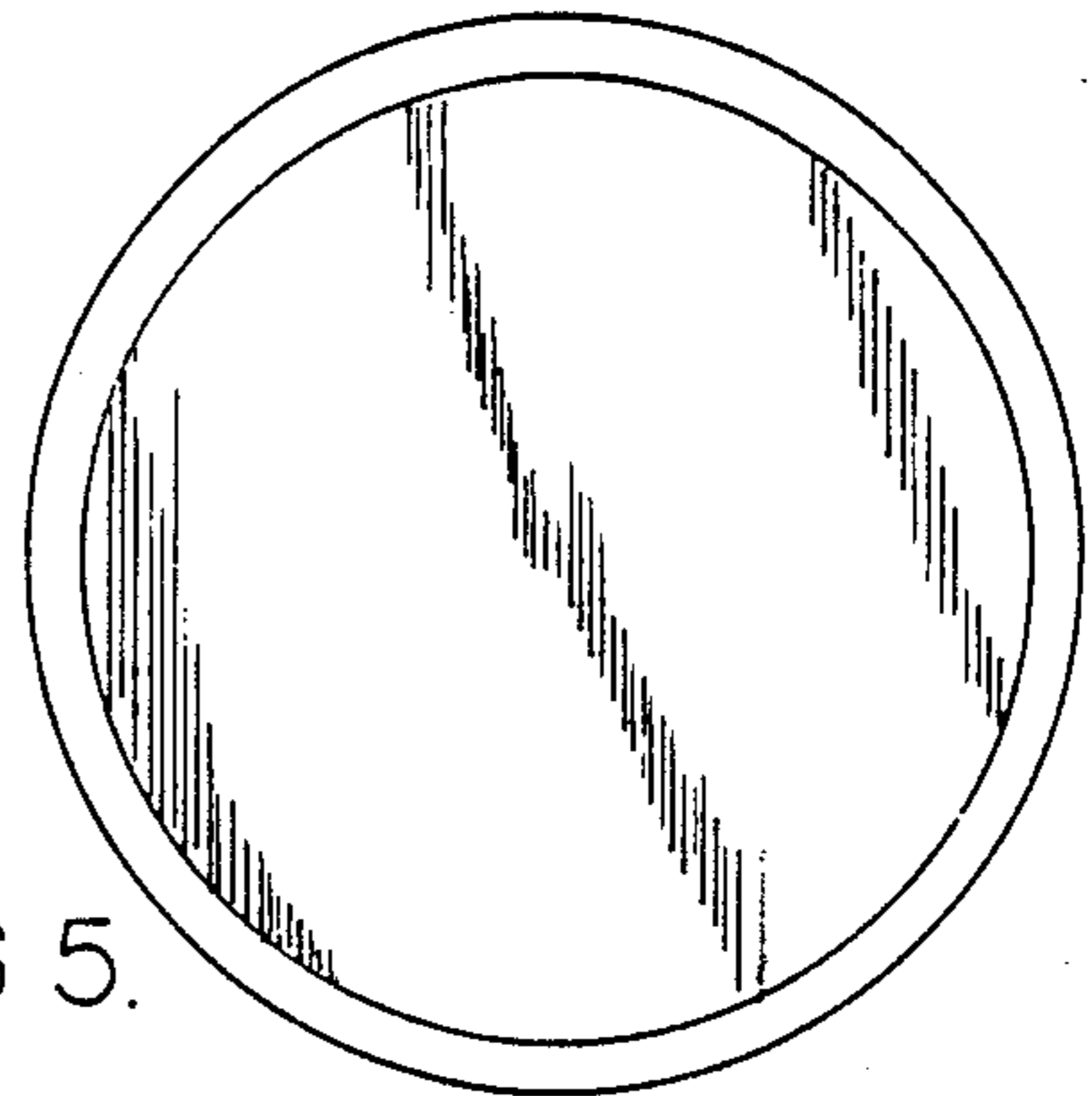


FIG 5.