

[54] **NOTE PAD HOLDER**

[75] **Inventors:** Michael J. Szablak, Stephens City; Glen E. Tomblin, Winchester, both of Va.

[73] **Assignee:** Rubbermaid Commercial Products, Inc., Winchester, Va.

[\*\*] **Term:** 14 Years

[21] **Appl. No.:** 923,717

[22] **Filed:** Oct. 24, 1986

[52] **U.S. Cl.** ..... D19/78; D19/75; D19/86; D19/92

[58] **Field of Search** ..... D19/65, 75, 77, 78, D19/83, 86, 92, 95, 100; 206/214, 425

[56] **References Cited**

**U.S. PATENT DOCUMENTS**

- D. 243,453 2/1977 Friedland ..... D19/20
- D. 257,778 1/1981 Macowski ..... D19/75 X
- D. 296,794 7/1988 Leithauser ..... D19/78

**OTHER PUBLICATIONS**

Product Package "Myway", Published by Tenex Cor-

poration, 1850 Estes Avenue, Elk Grove, Ill. 60007, Published Date-1986.

"Post-IT" Product Package 3M Commercial Office Supply Division, St. Paul, Minn. 55144, Published Date-1986.

"Notables" Eldon Office Products, 1130 E. 230th St., Carson, Calif. 90745, Published Date 1985.

*Primary Examiner*—Bruce W. Dunkins

*Assistant Examiner*—Martha Thompson

*Attorney, Agent, or Firm*—Richard B. O'Planick

[57] **CLAIM**

The ornamental design for a note pad holder, as shown and described.

**DESCRIPTION**

FIG. 1 is a front perspective view of a note pad holder showing our new design;

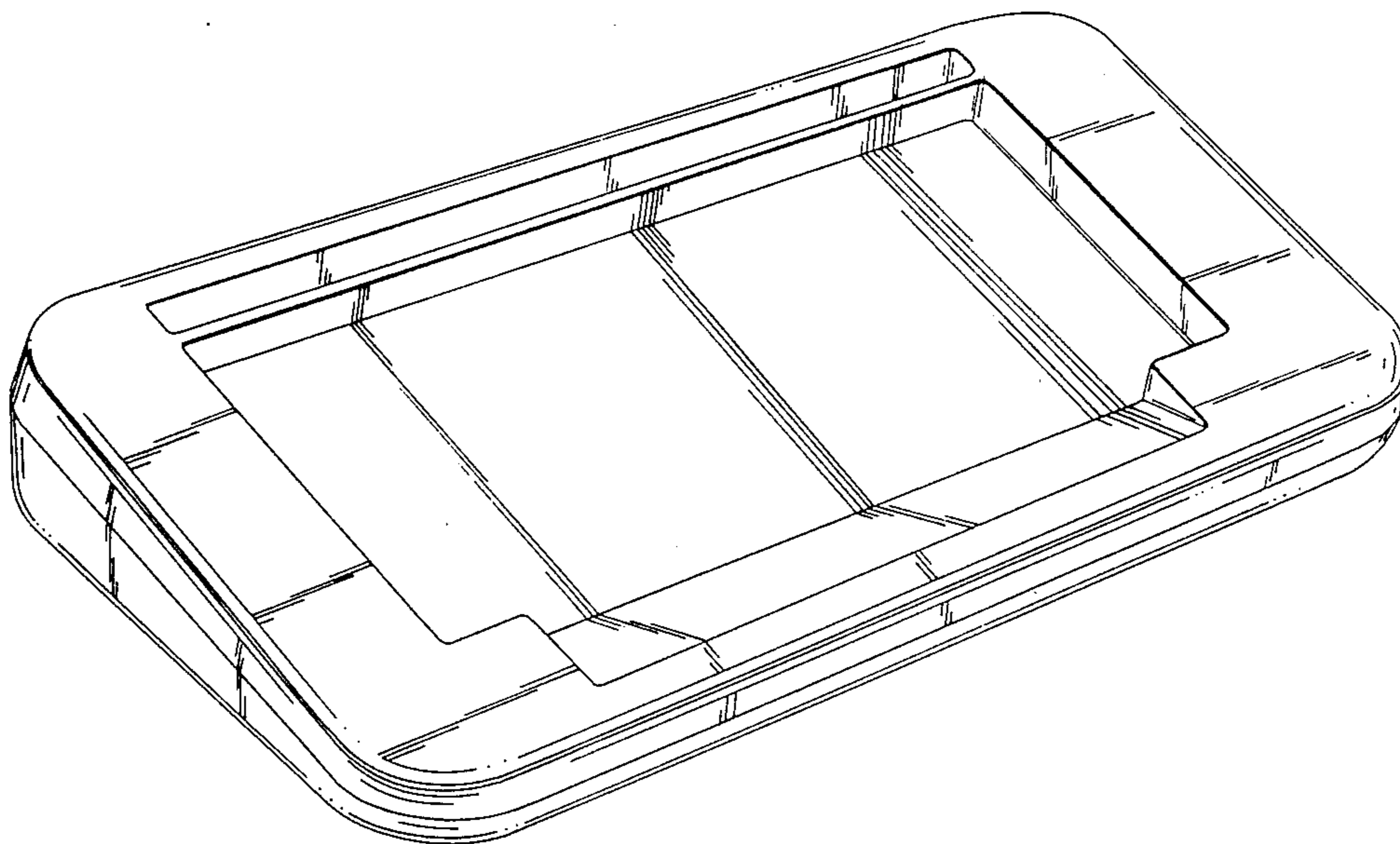
FIG. 2 is a top plan view;

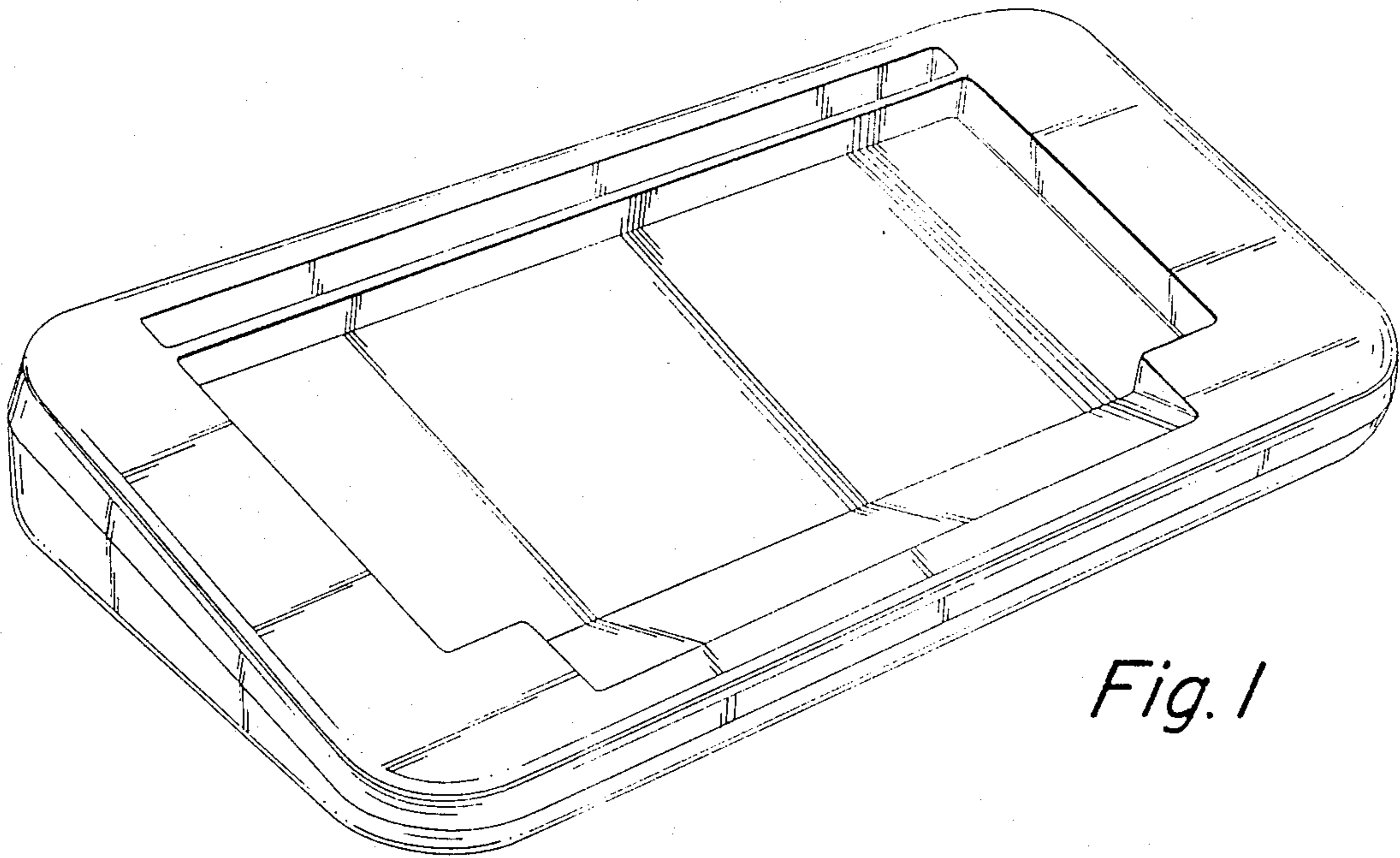
FIG. 3 is a front elevational view;

FIG. 4 is a side elevational view, the opposite side being a mirror image thereof;

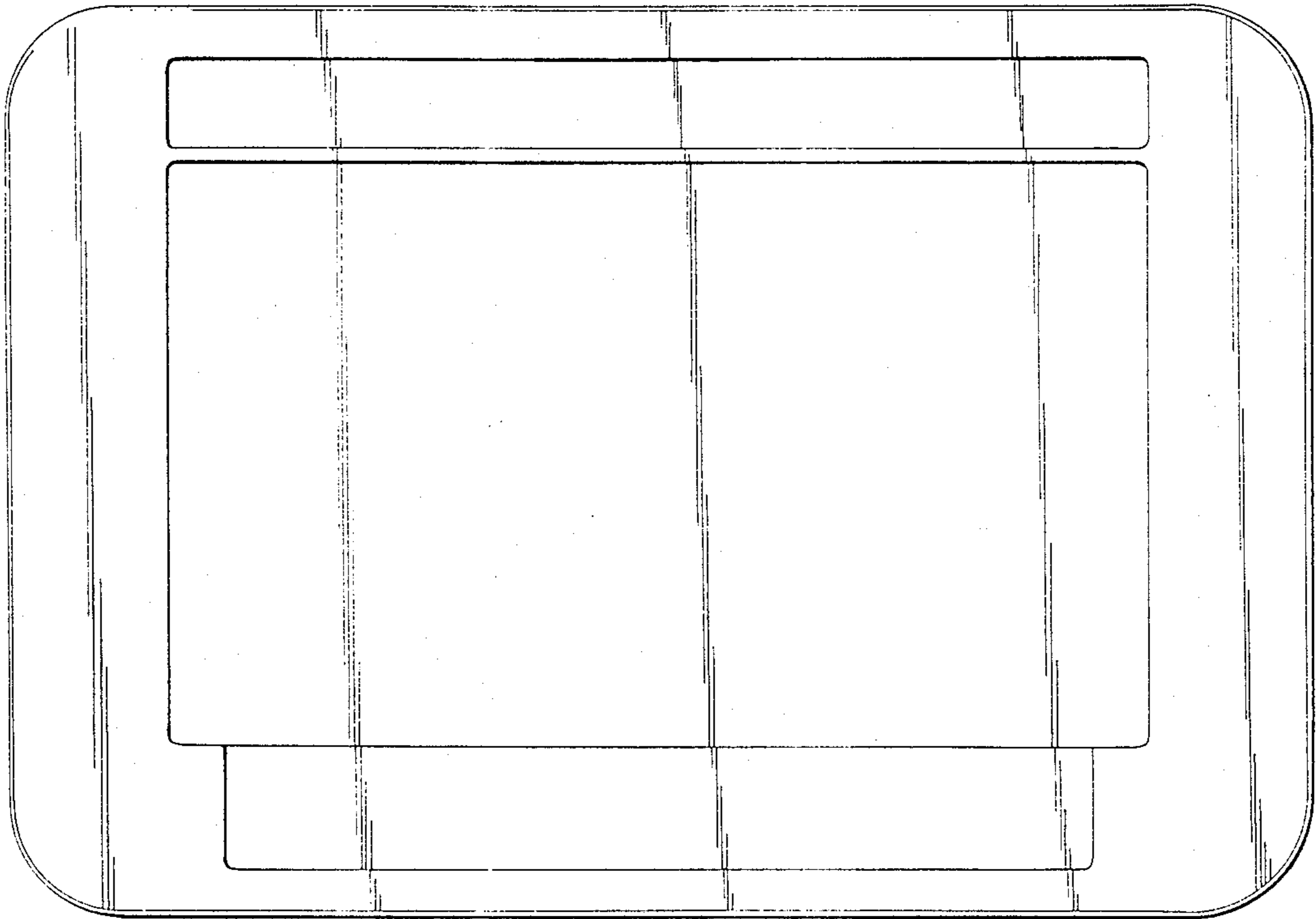
FIG. 5 is a rear elevational view; and

FIG. 6 is a bottom plan view thereof.

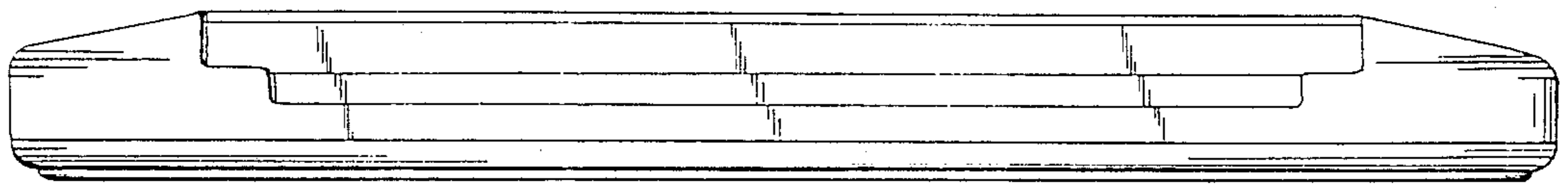




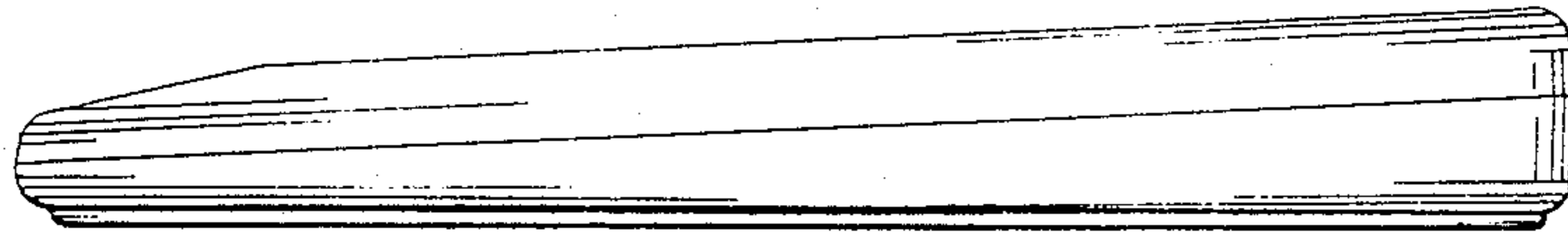
*Fig. 1*



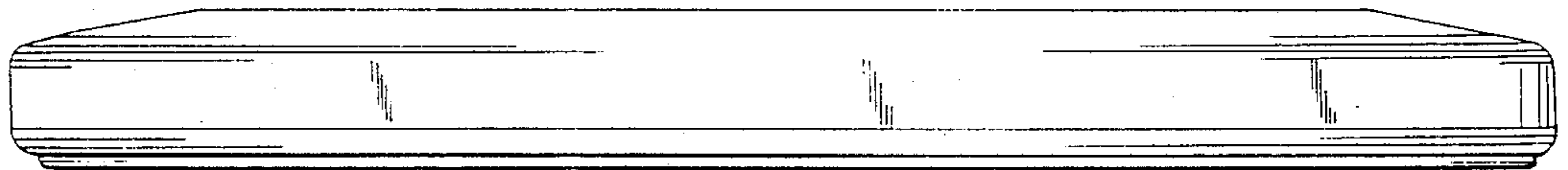
*Fig. 2*



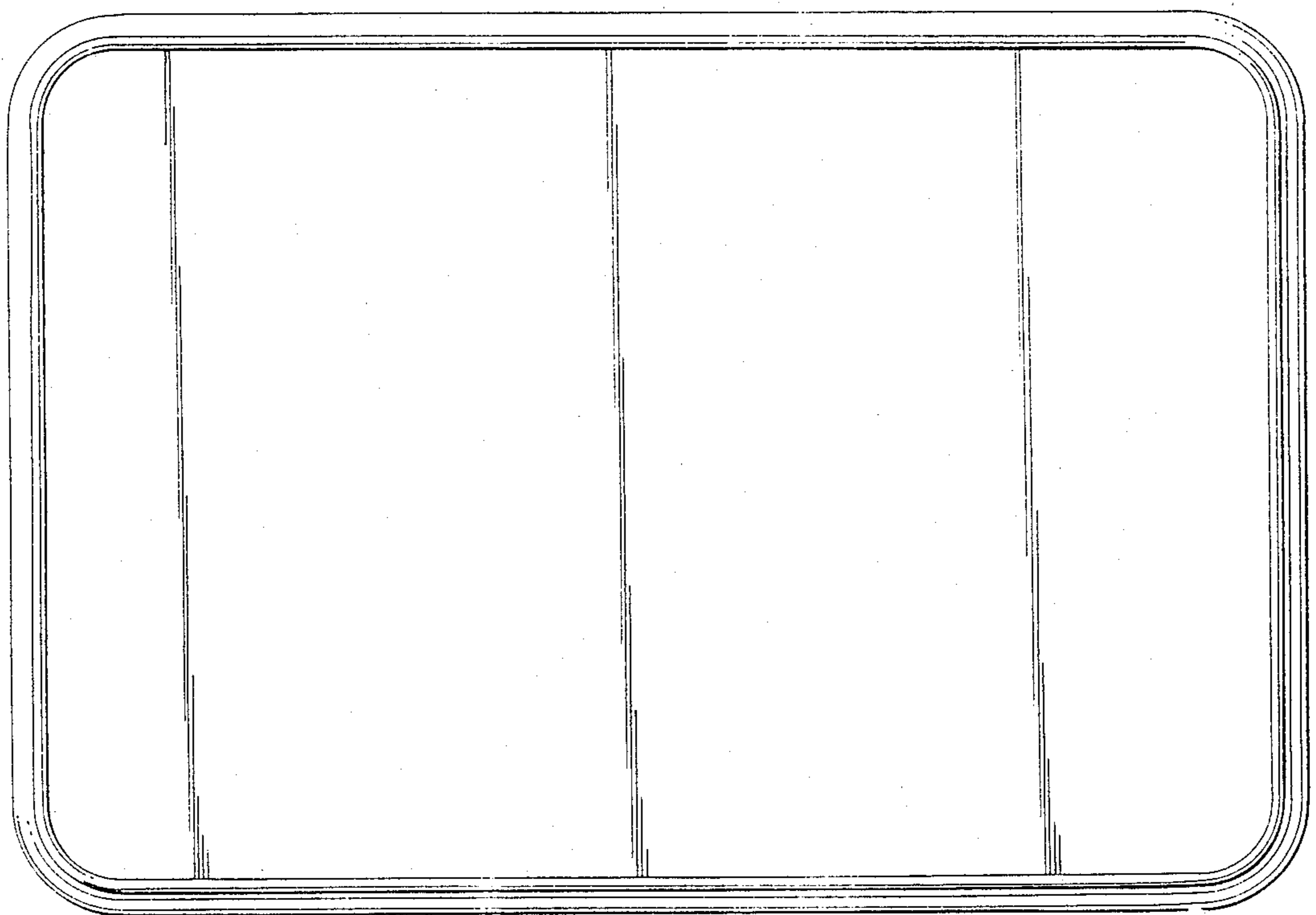
*Fig. 3*



*Fig. 4*



*Fig. 5*



*Fig. 6*