

United States Patent [19]

Buchweitz, Jr. et al.

[11] Patent Number: Des. 303,988

[45] Date of Patent: ** Oct. 10, 1989

[54] **SUPPORT LEG FOR COMPUTER EQUIPMENT**

[75] Inventors: **Albert F. Buchweitz, Jr., Wheeling; Bruce Heggeland, Palatine, both of Ill.**

[73] Assignee: **IPD Innovative Plastic Designs Inc., Wheeling, Ill.**

[**] Term: **14 Years**

[21] Appl. No.: **905,254**

[22] Filed: **Sep. 8, 1986**

[52] U.S. Cl. **D18/23; D6/449**

[58] Field of Search **D6/449, 462, 310; D18/23; 211/13**

[56] **References Cited**

U.S. PATENT DOCUMENTS

D. 173,776	12/1954	Westernacher	D6/310
D. 268,108	3/1983	Stearns et al.	D6/449 X
D. 290,717	7/1987	Judd	D18/23
D. 290,850	7/1987	Yon et al.	D18/23
D. 296,217	6/1988	Drake et al.	D18/23

OTHER PUBLICATIONS

DEMCO, Fall 1985, p. 49; Printer Stand, top left on page.

Primary Examiner—Carmen H. Vales-Lado
Attorney, Agent, or Firm—Lockwood, Alex, Fitzgibbon & Cummings

[57] **CLAIM**

The new and ornamented design for a support leg for computer equipment, as shown.

DESCRIPTION

FIG. 1 is a perspective view of a support leg for computer equipment showing our new design;
FIG. 2 is a top plan view thereof;
FIG. 3 is a bottom plan view thereof;
FIG. 4 is a right side elevational view thereof;
FIG. 5 is a rear elevational view thereof;
FIG. 6 is a front elevational view thereof;
FIG. 7 is a left side elevational view thereof;
FIG. 8 is a side elevational view of a second embodiment of the support leg shown in FIGS. 1 through 7; and
FIG. 9 is a side elevational view of a third embodiment of the support leg shown in FIGS. 1 through 7.

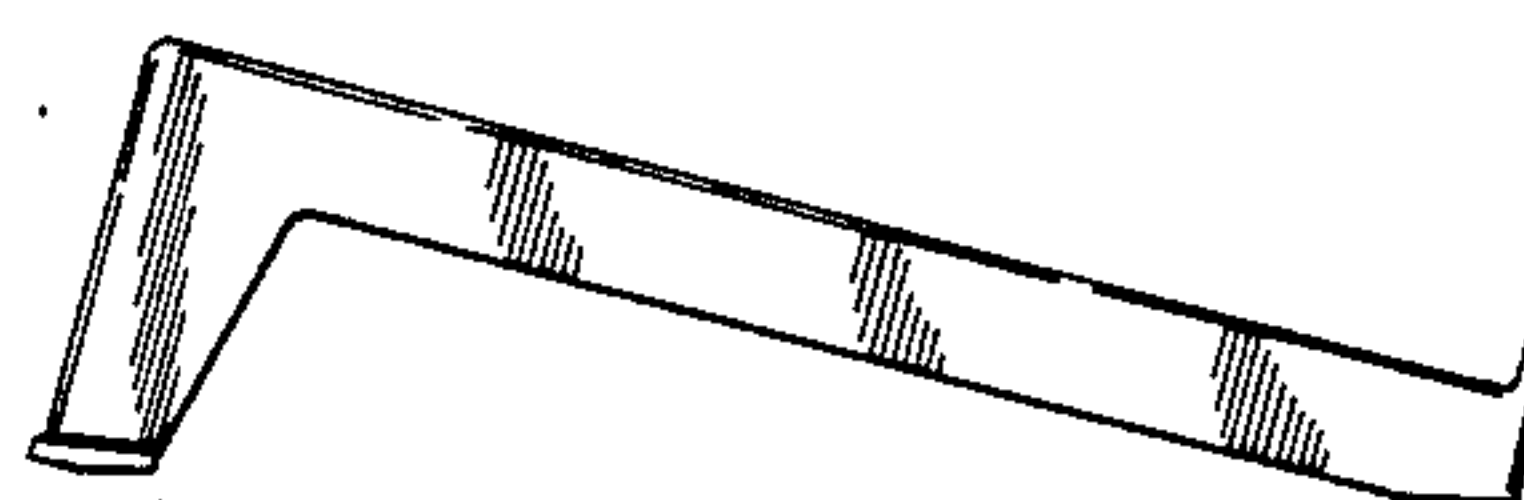
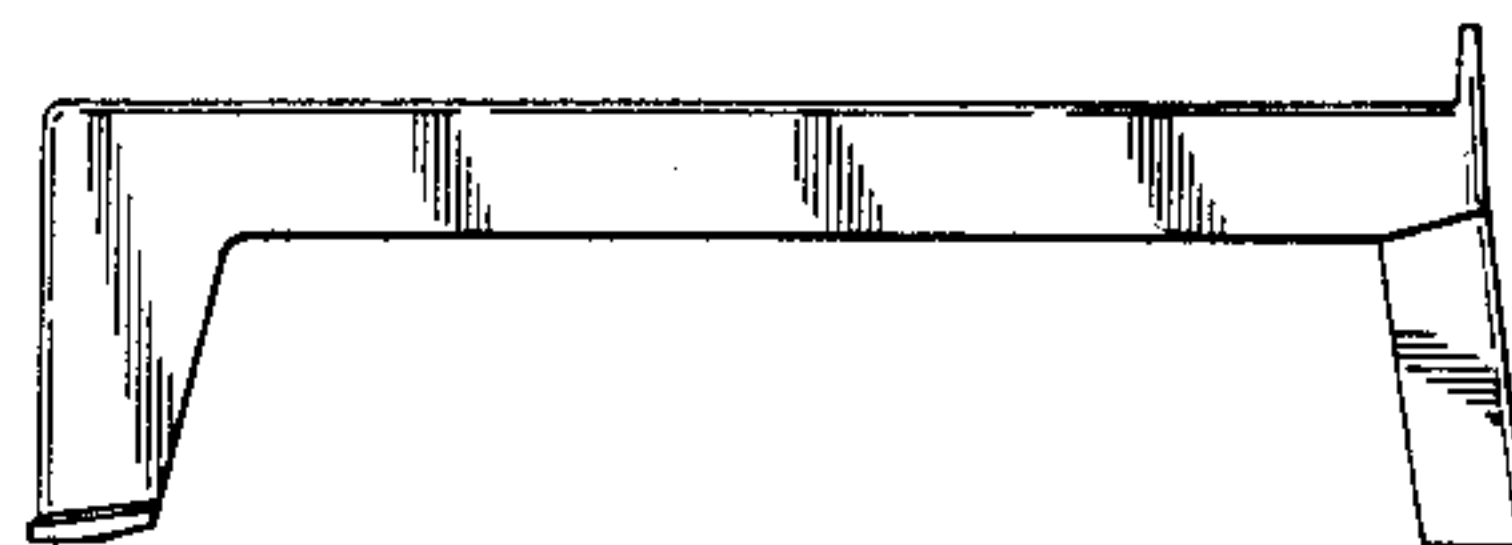
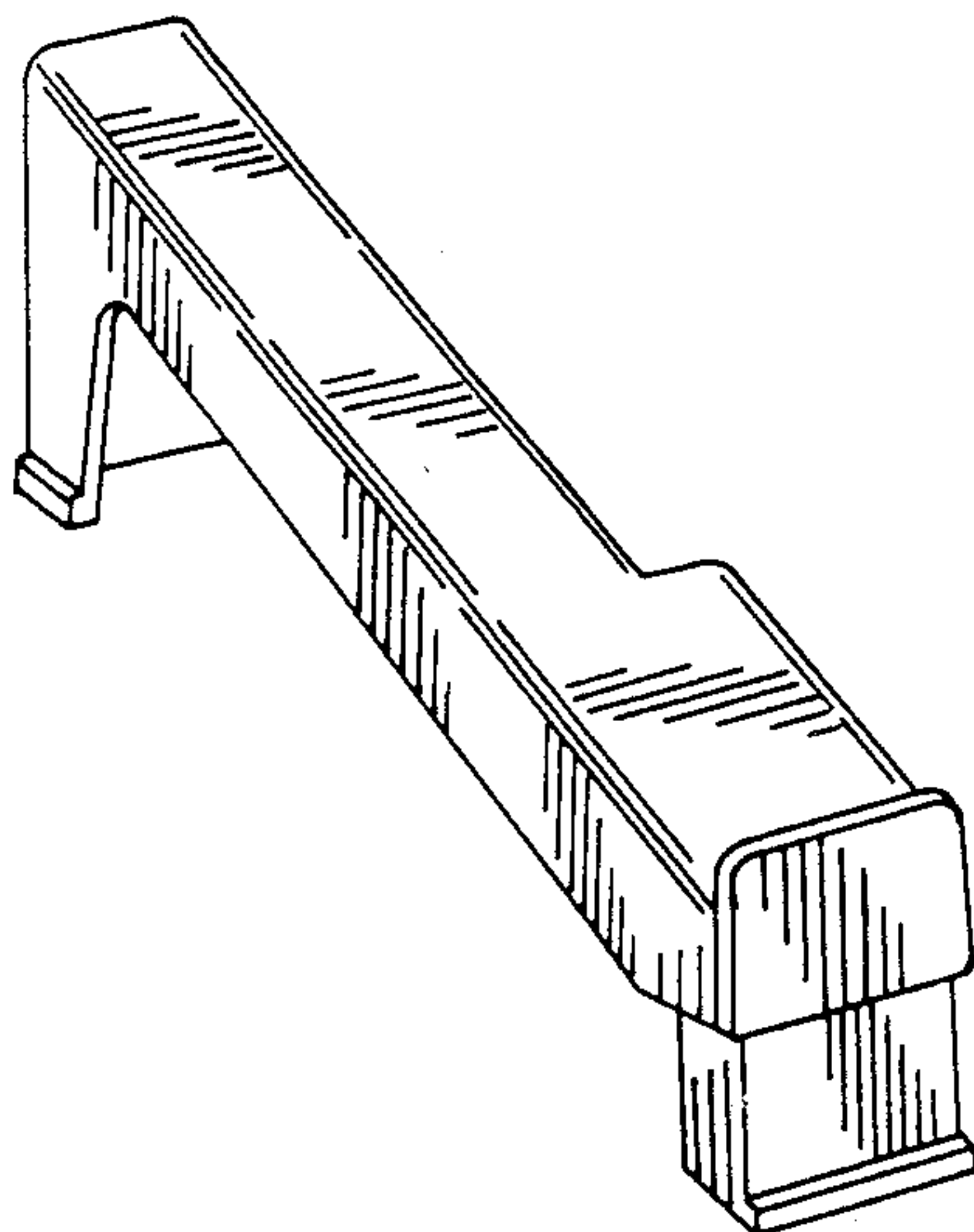


FIG. 1

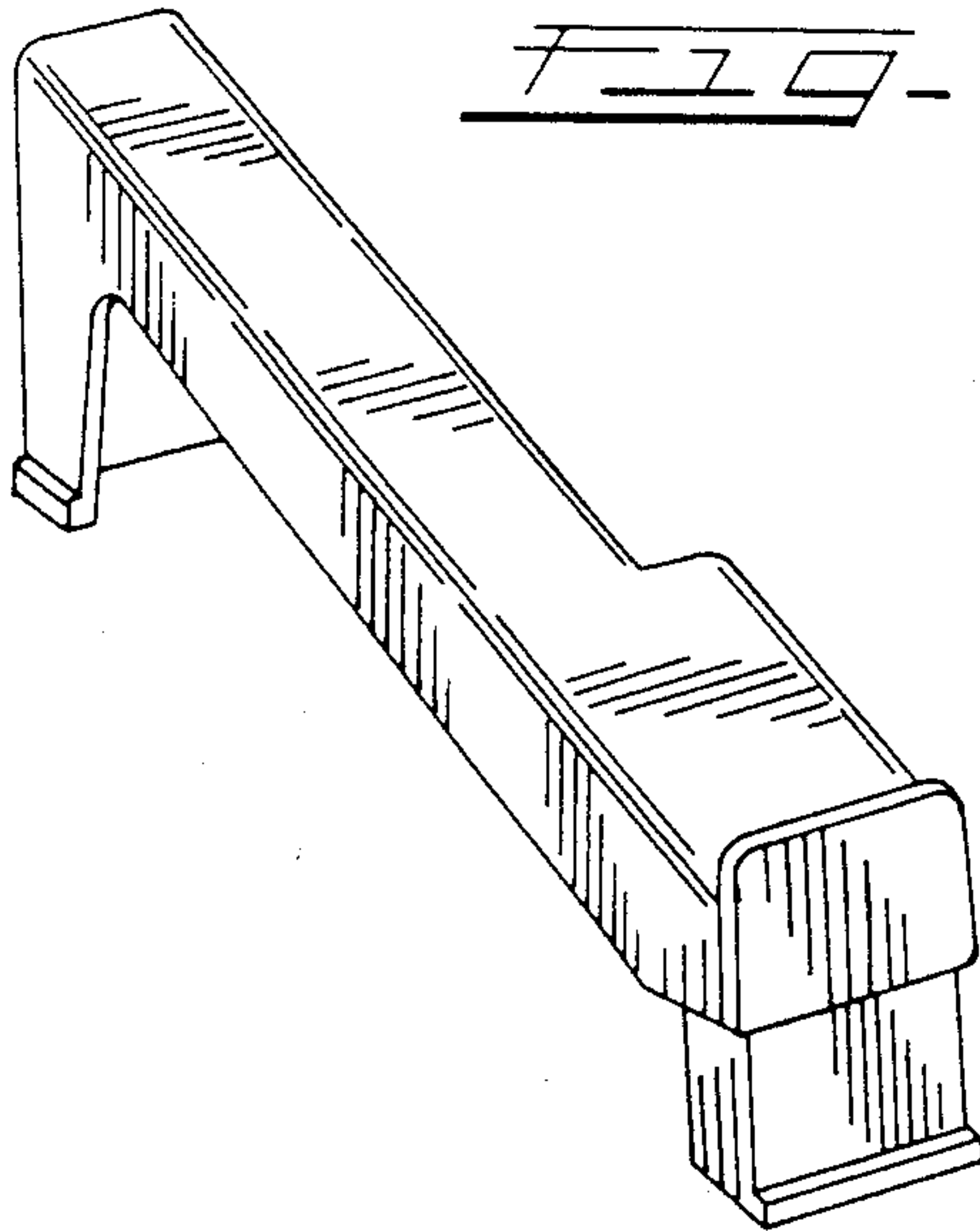


FIG. 5

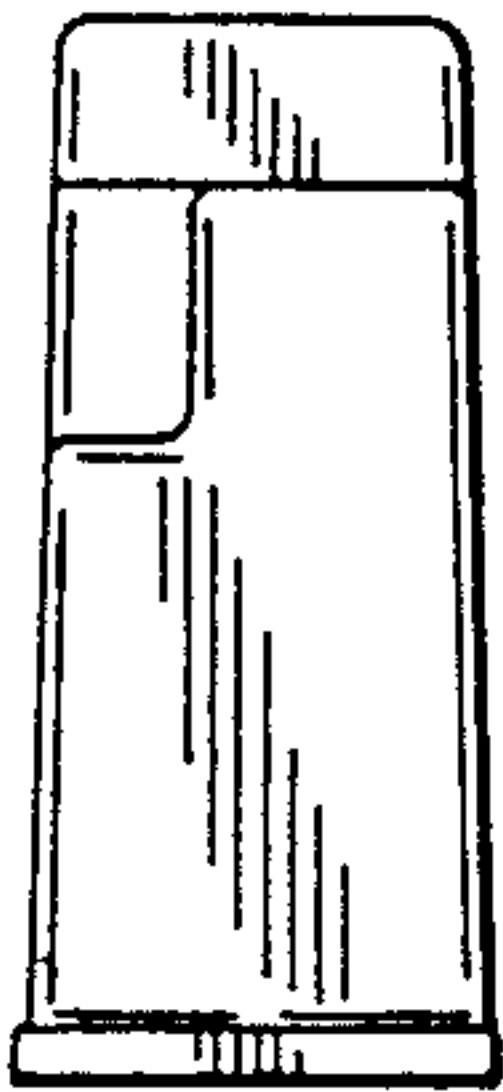


FIG. 2

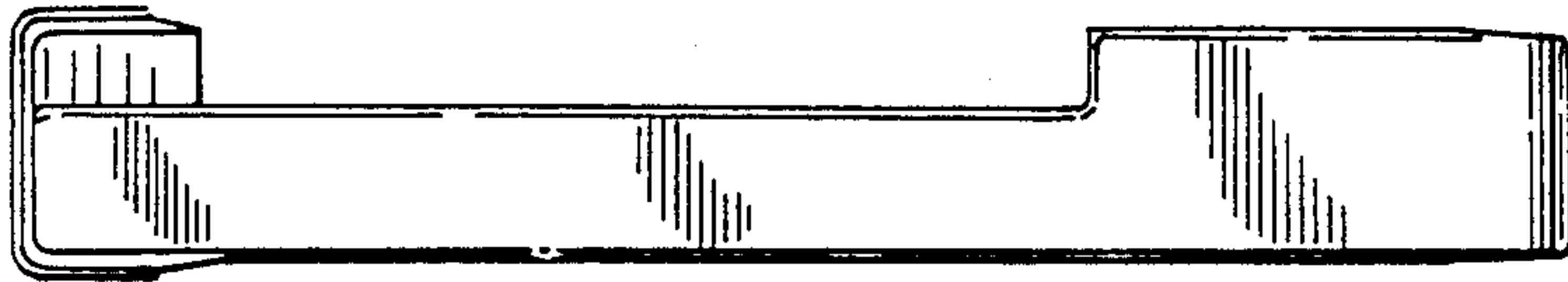


FIG. 3

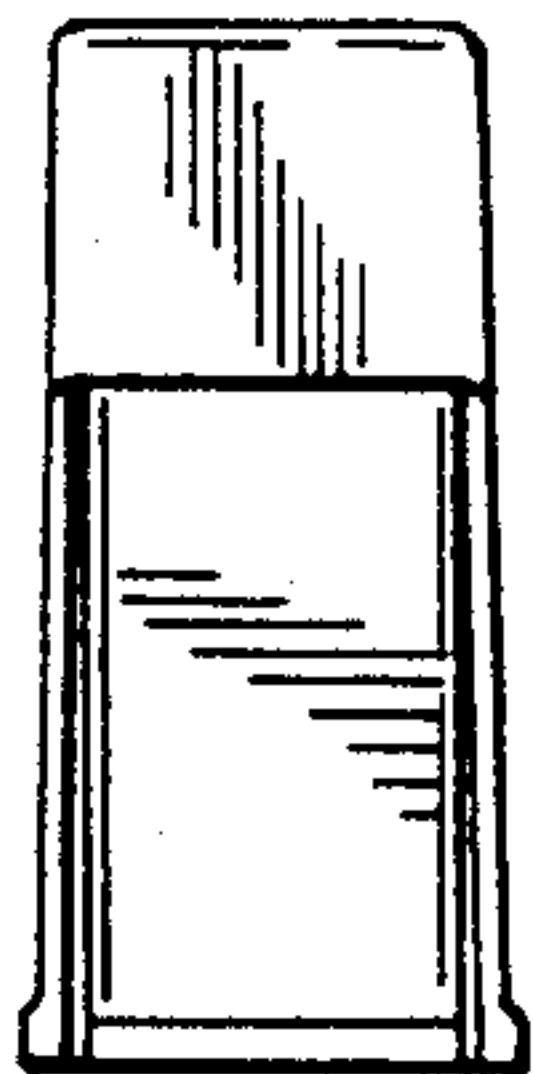
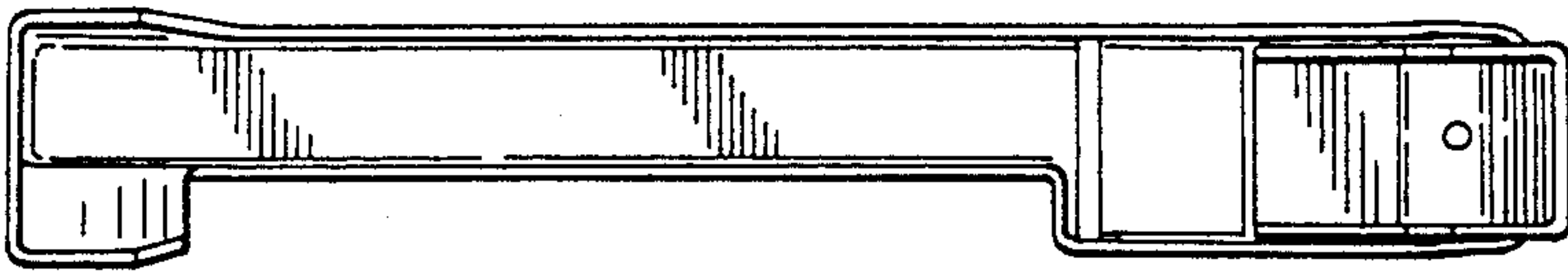


FIG. 4

FIG. 6

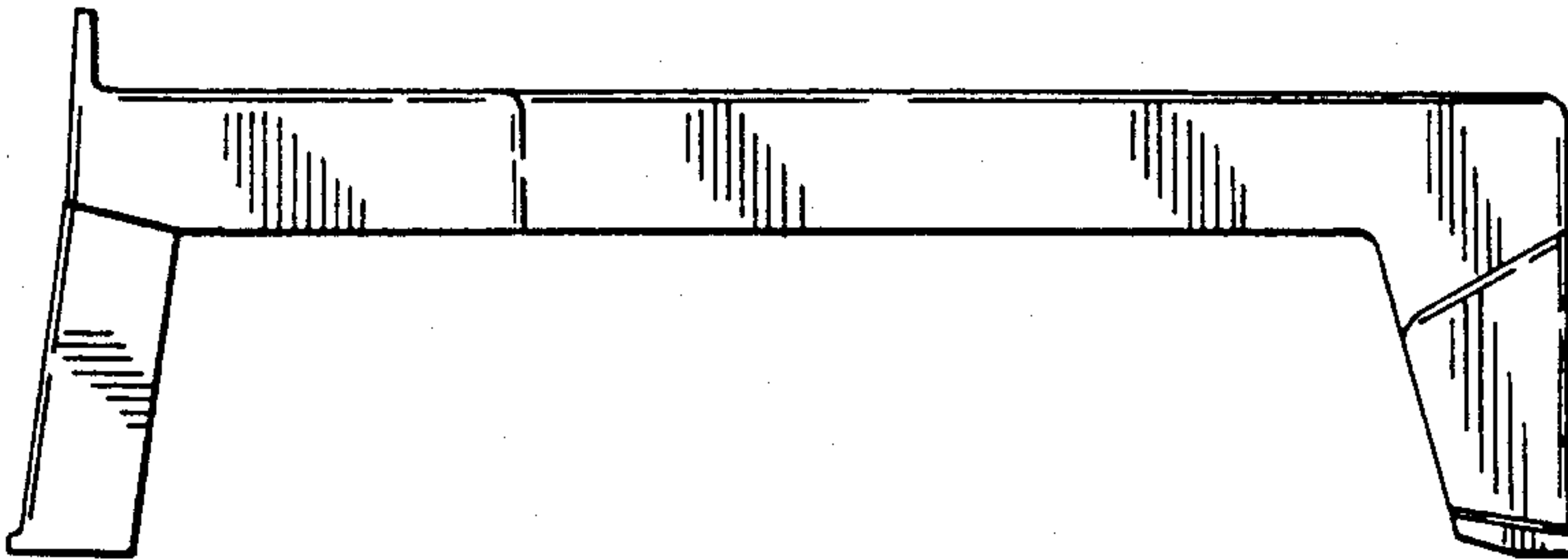


FIG. 7

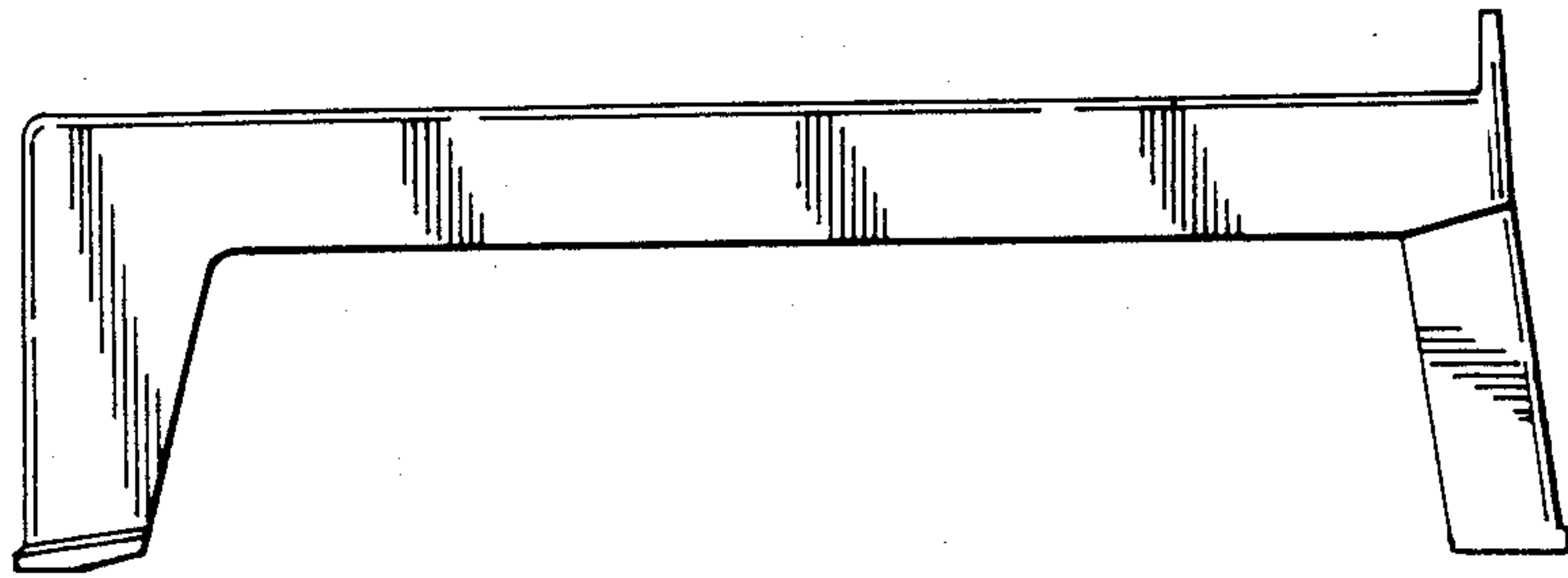


FIG. 8

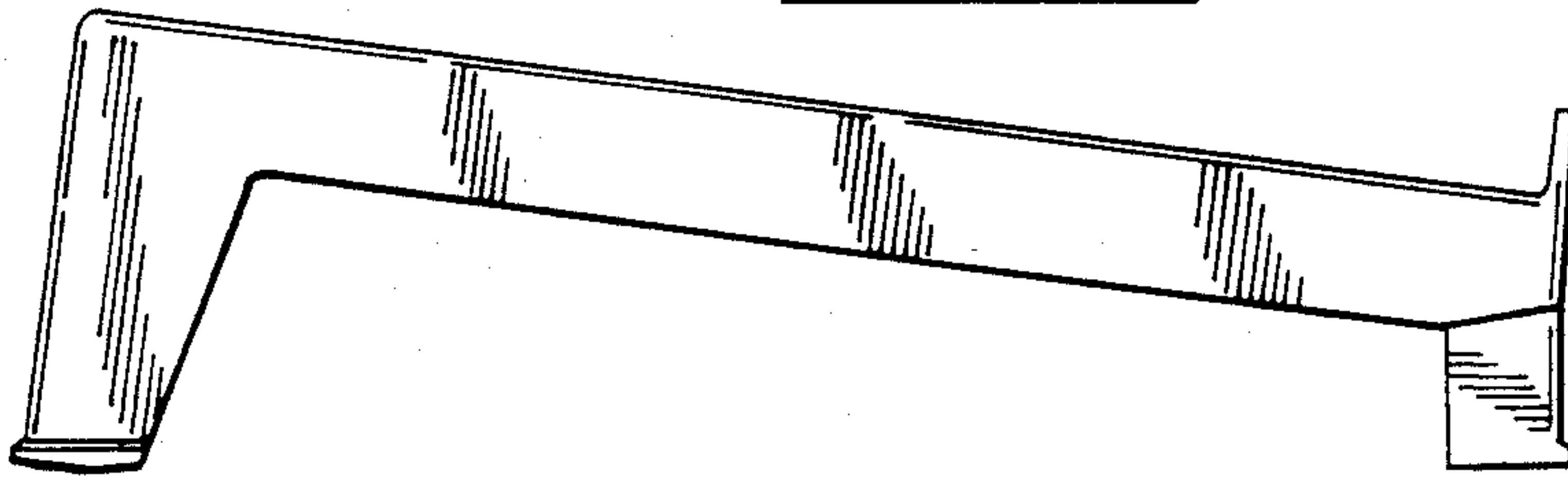


FIG. 9

