

United States Patent [19]

Kato et al.

[11] Patent Number: Des. 303,986

[45] Date of Patent: ** Oct. 10, 1989

[54] RECEIPT/SLIP PRINTER OR SIMILAR ARTICLE

[75] Inventors: Shuzo Kato, Hiratsuka; Tamihei Takahashi, Atsugi, both of Japan

[73] Assignee: NCR Corporation, Dayton, Ohio

[**] Term: 14 Years

[21] Appl. No.: 101,342

[22] Filed: Sep. 25, 1987

[30] Foreign Application Priority Data

Apr. 30, 1987 [JP] Japan 62-16664

[52] U.S. Cl. D18/13

[58] Field of Search D14/100, 107, 111; D18/3, 4, 11, 12, 13, 14, 99; 235/3, 379, 380; 364/401, 405, 406, 407

[56] References Cited

U.S. PATENT DOCUMENTS

D. 215,676 10/1969 Majesty D14/111
D. 224,666 8/1972 Schmeek et al. D18/13

D. 236,489 8/1975 Pycha et al. D14/107
D. 253,820 1/1980 Coppola et al. D14/100
D. 264,600 5/1982 Yamasaki et al. D18/4
D. 286,152 10/1986 Norton et al. D14/107
D. 294,357 2/1988 Klein et al. D18/13 X
D. 294,367 2/1988 Nishibori et al. D18/4
4,720,785 1/1988 Shapiro 235/378 X

Primary Examiner—James R. Largen
Attorney, Agent, or Firm—Wilbert Hawk, Jr.; Albert L. Sessler, Jr.; George J. Muckenthaler

[57] CLAIM

The ornamental design for a receipt/slip printer or similar article, as shown and described.

DESCRIPTION

FIG. 1 is a perspective view taken from the top, front and left side of a receipt/slip printer or similar article showing our new design;

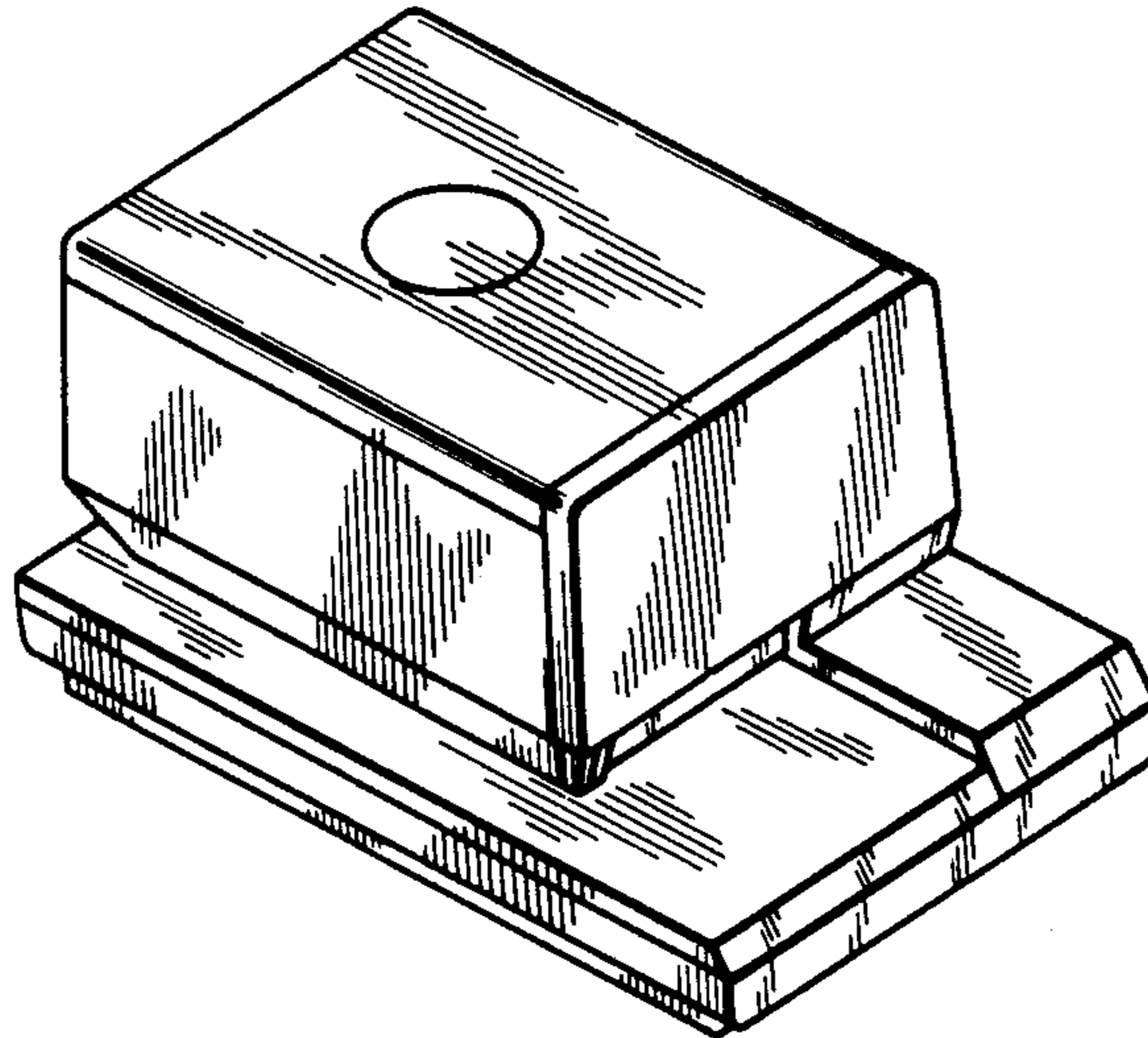
FIG. 2 is a front elevational view thereof;

FIG. 3 is a rear elevational view thereof;

FIG. 4 is a right side elevational view thereof;

FIG. 5 is a left side elevational view thereof; and

FIG. 6 is a top plan view thereof.



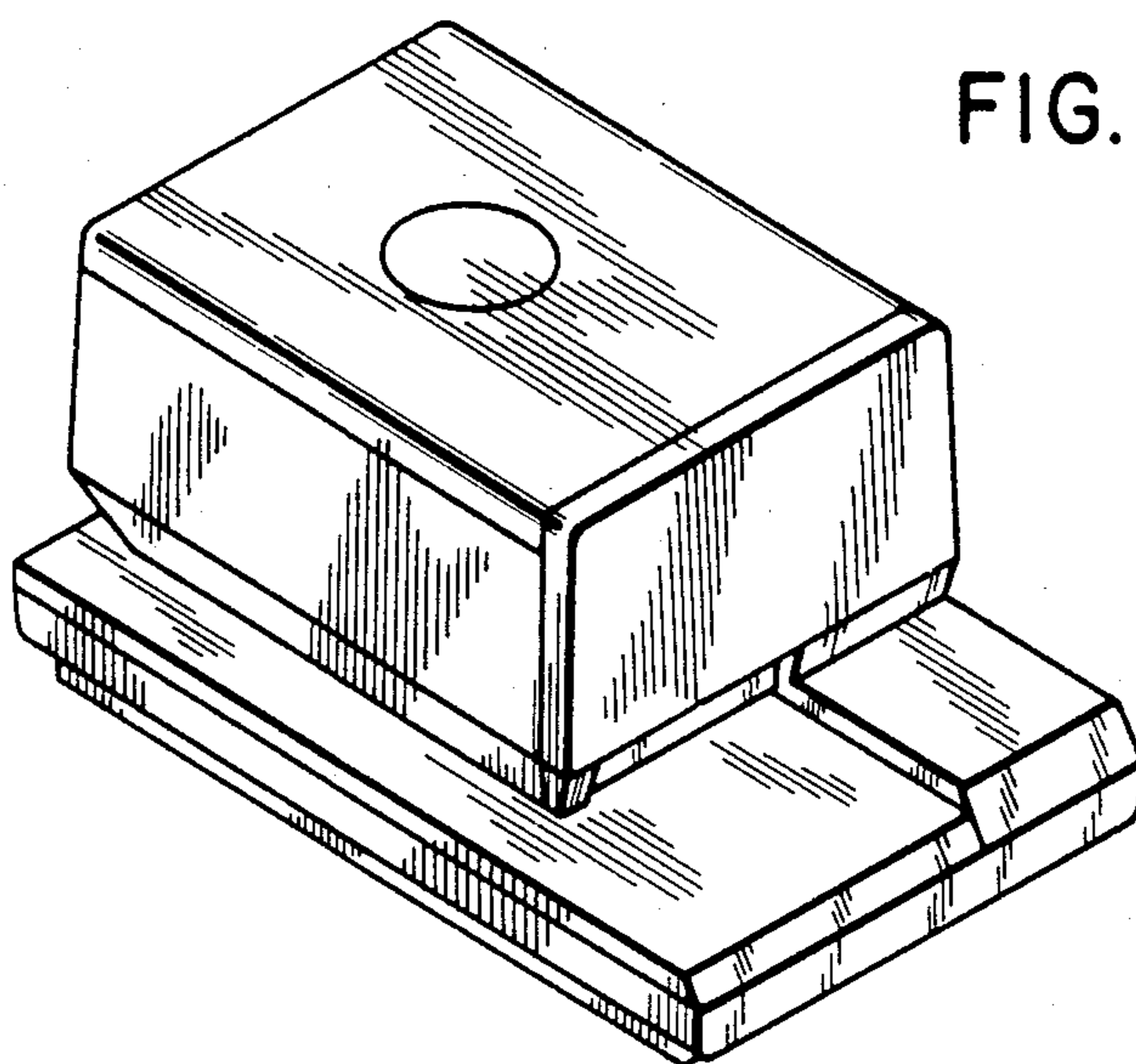


FIG. 1

FIG. 6

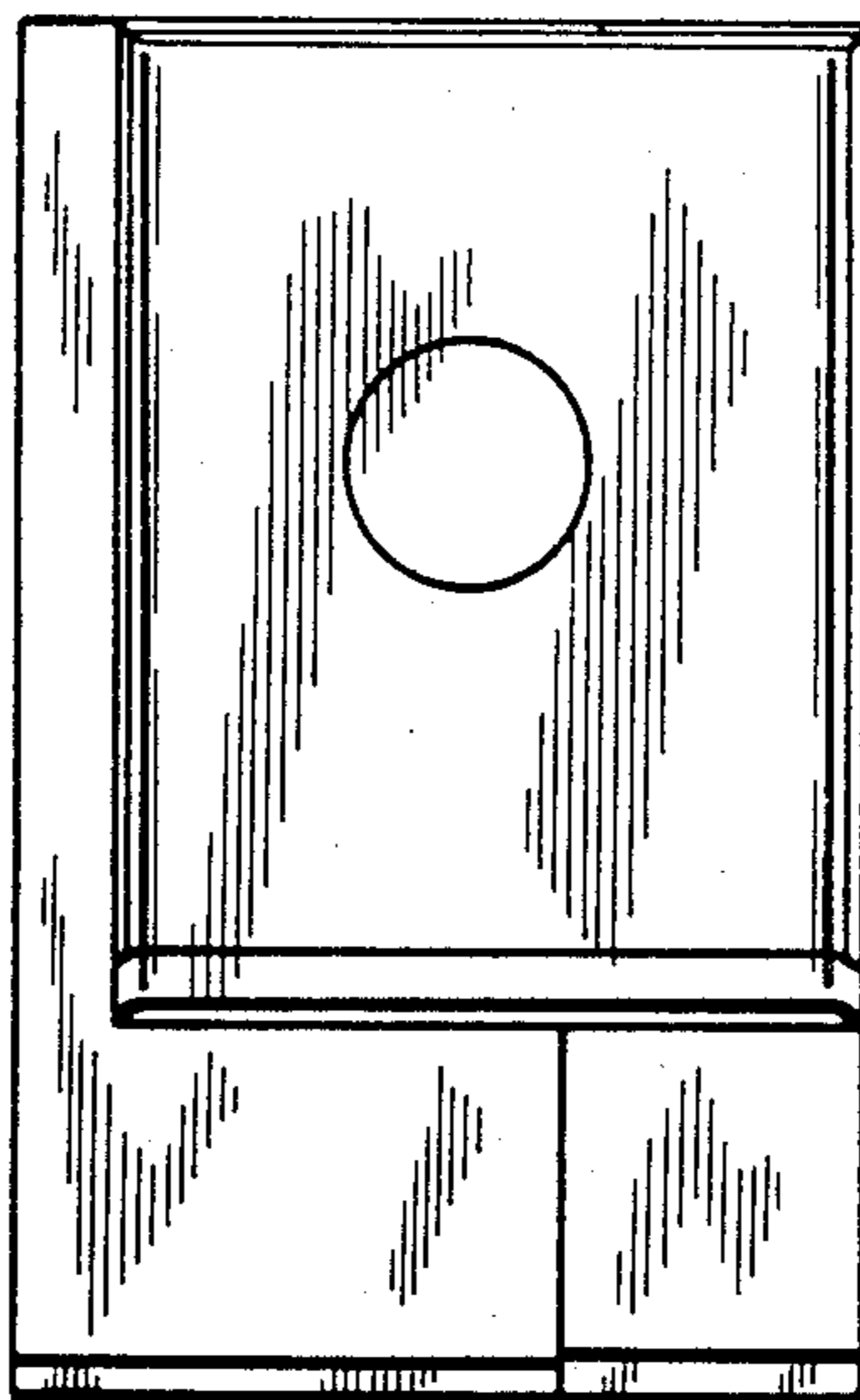


FIG. 3

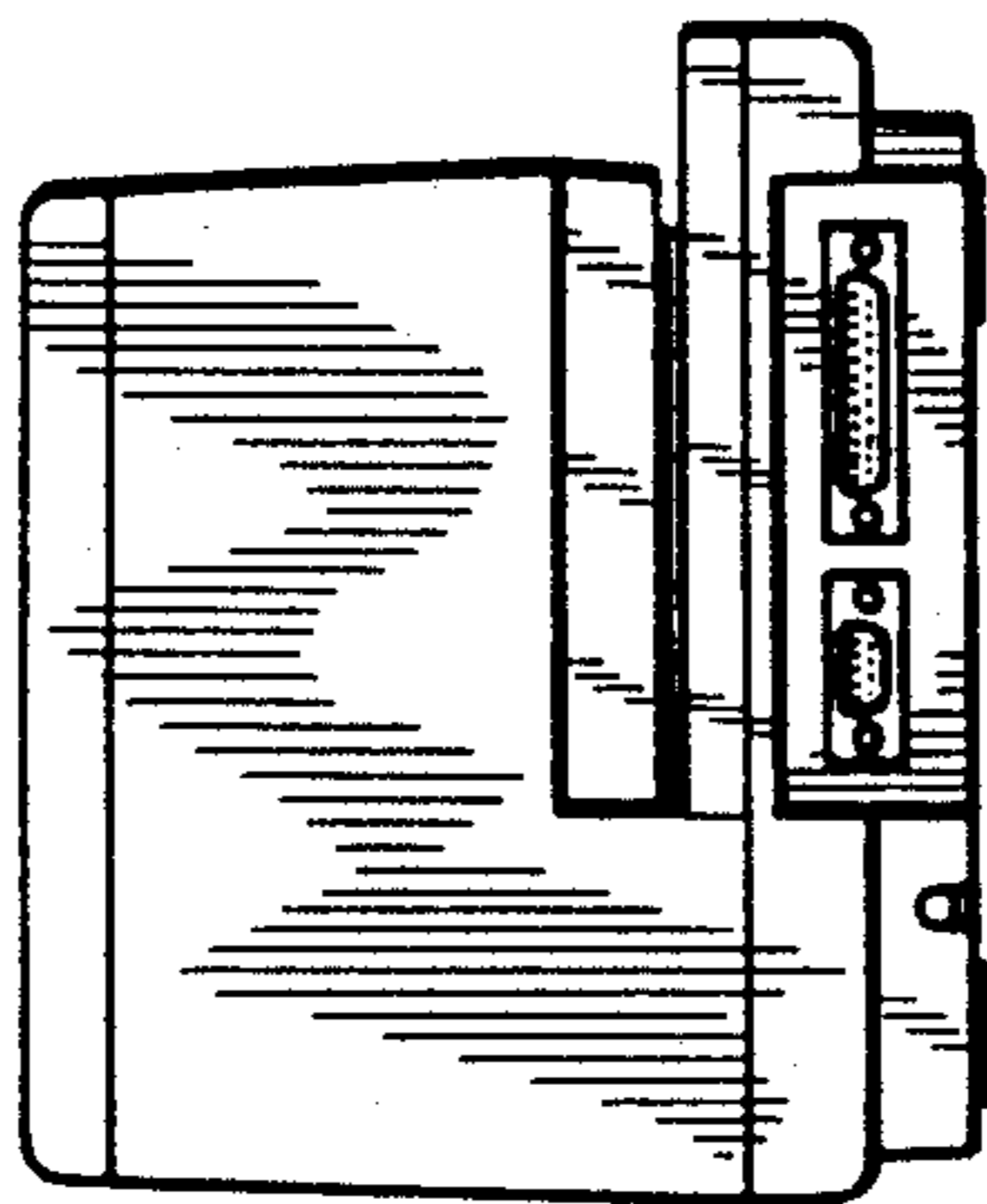


FIG. 2

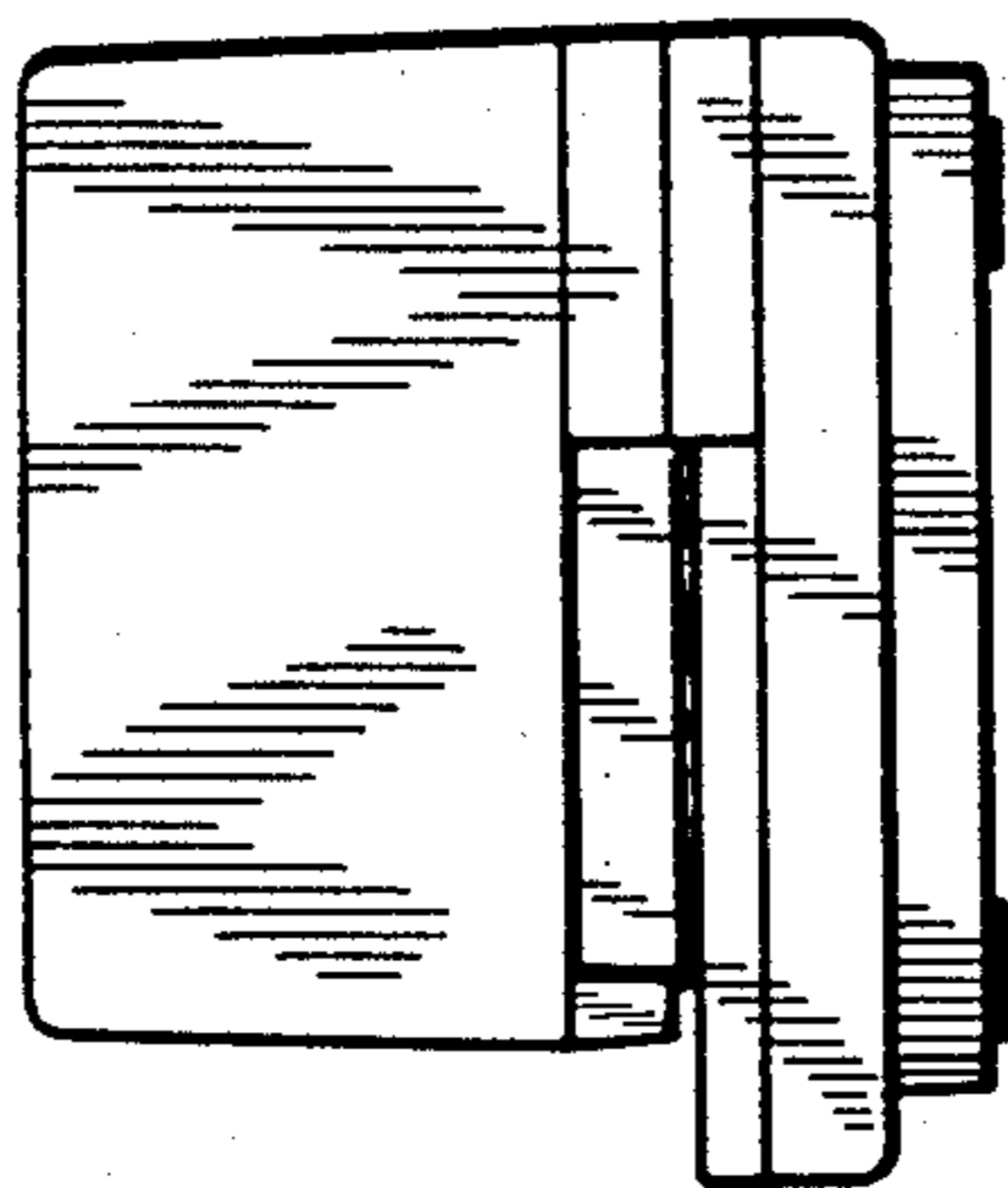


FIG. 4

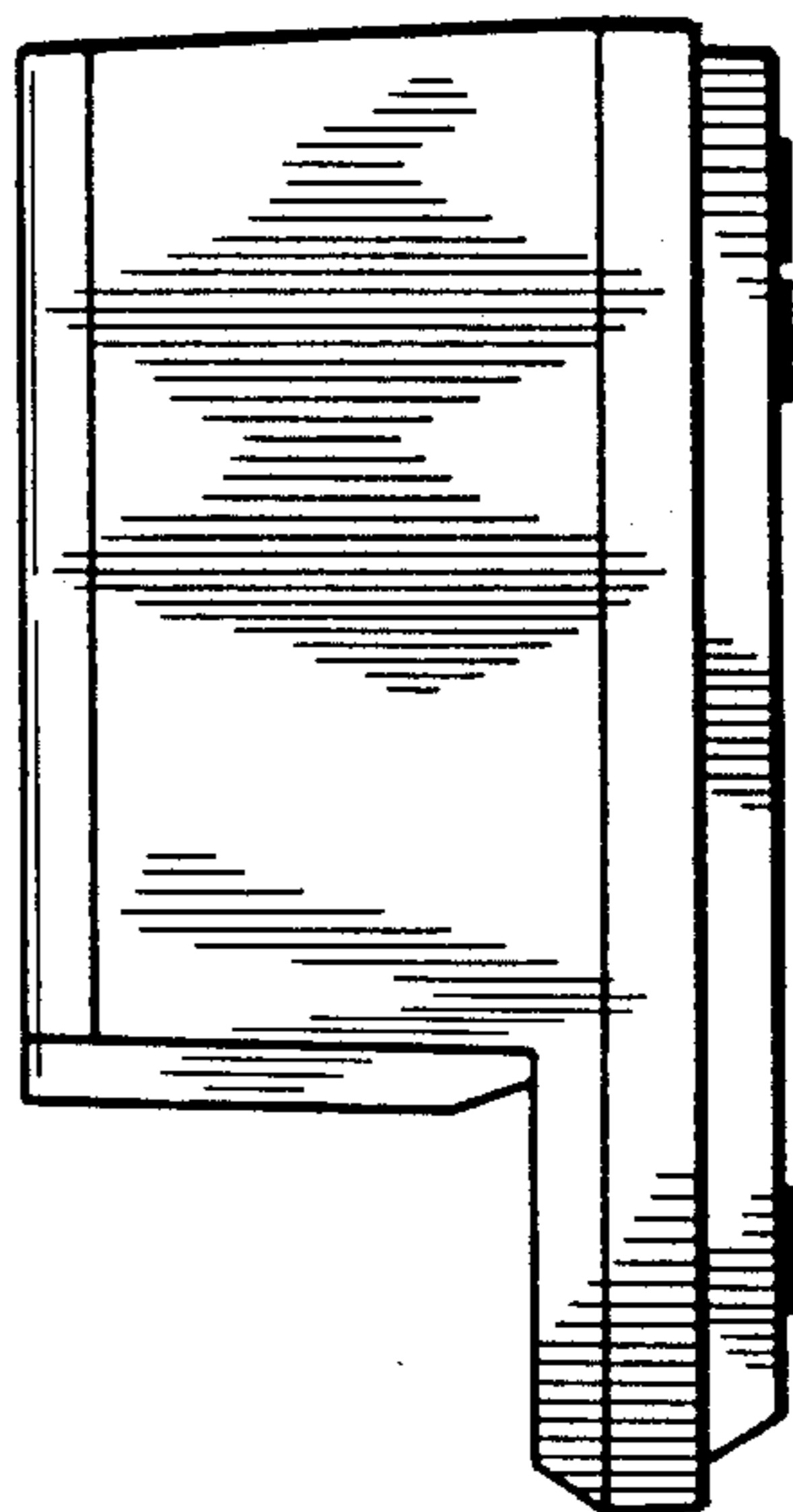


FIG. 5

