

[54] **COMBINED VIDEO CAMERA AND RECORDER**

[75] **Inventor: Raymond C. Phinney, East Aurora, N.Y.**

[73] **Assignee: The Quaker Oats Company, Chicago, Ill.**

[**] **Term: 14 Years**

[21] **Appl. No.: 25,866**

[22] **Filed: Mar. 16, 1987**

[52] **U.S. Cl. D16/202; D21/110**

[58] **Field of Search D16/202, 205, 206; D21/110; 352/242, 243; 358/906, 229**

[56] **References Cited**

U.S. PATENT DOCUMENTS

- D. 211,803 7/1968 Genin D21/110
- D. 212,051 8/1968 Salvo D16/206

- D. 223,411 4/1972 Emmerling D16/206
- D. 234,095 1/1975 Hansen D16/206
- D. 288,811 3/1987 Kurokawa et al. D16/202
- D. 294,570 3/1988 Kurokawa et al. D16/202

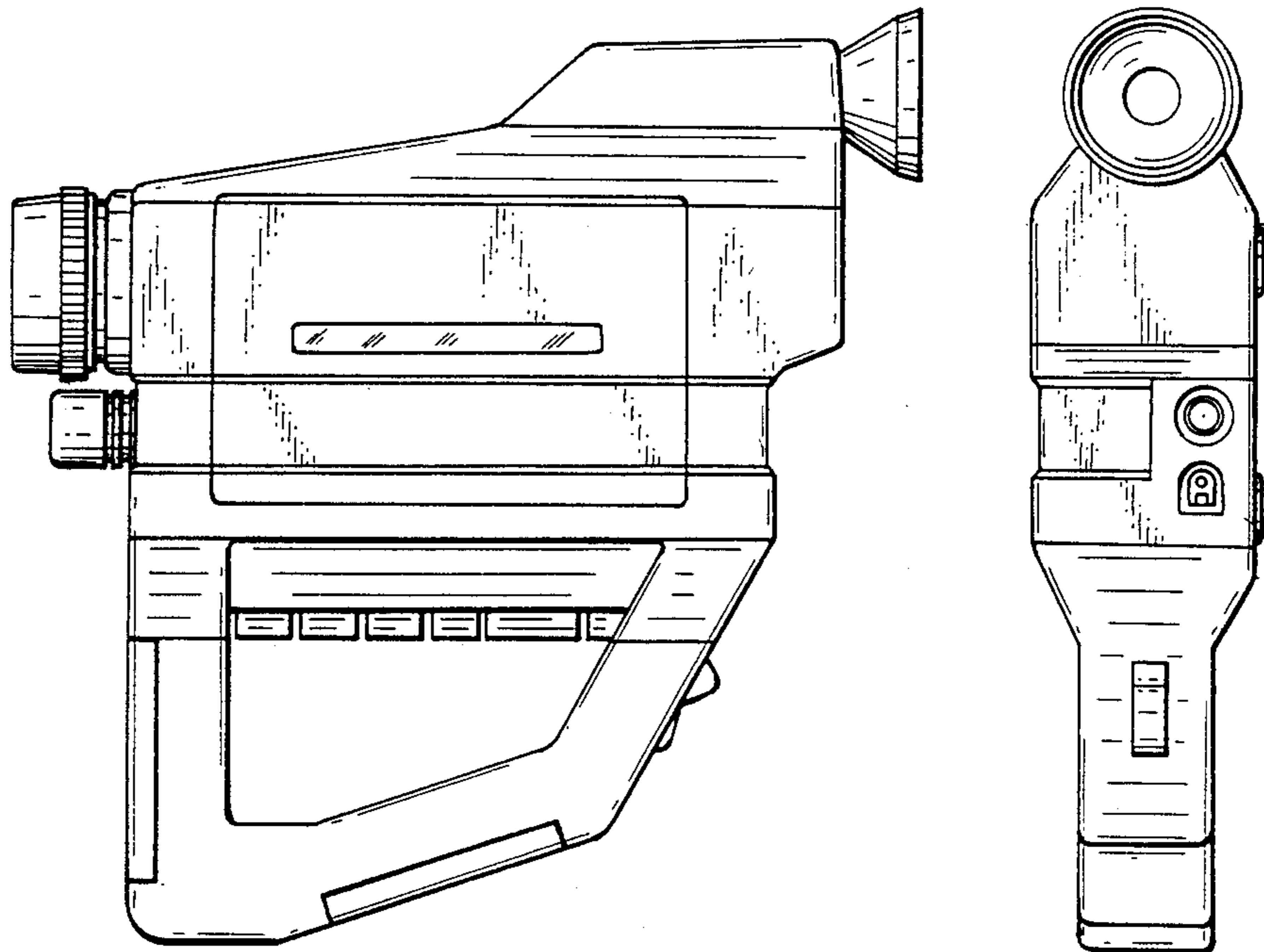
Primary Examiner—B. J. Bullock
Assistant Examiner—Theodore M. Shooman
Attorney, Agent, or Firm—Cumpston & Shaw

[57] **CLAIM**

The ornamental design for a combined video camera and recorder, as shown and described.

DESCRIPTION

FIG. 1 is a right-side elevational view of a combined video camera and recorder showing my new design; FIG. 2 is a rear elevational view thereof; FIG. 3 is a bottom plan view thereof; FIG. 4 is a front elevational view thereof; FIG. 5 is a left-side elevational view thereof; and FIG. 6 is a top plan view thereof.



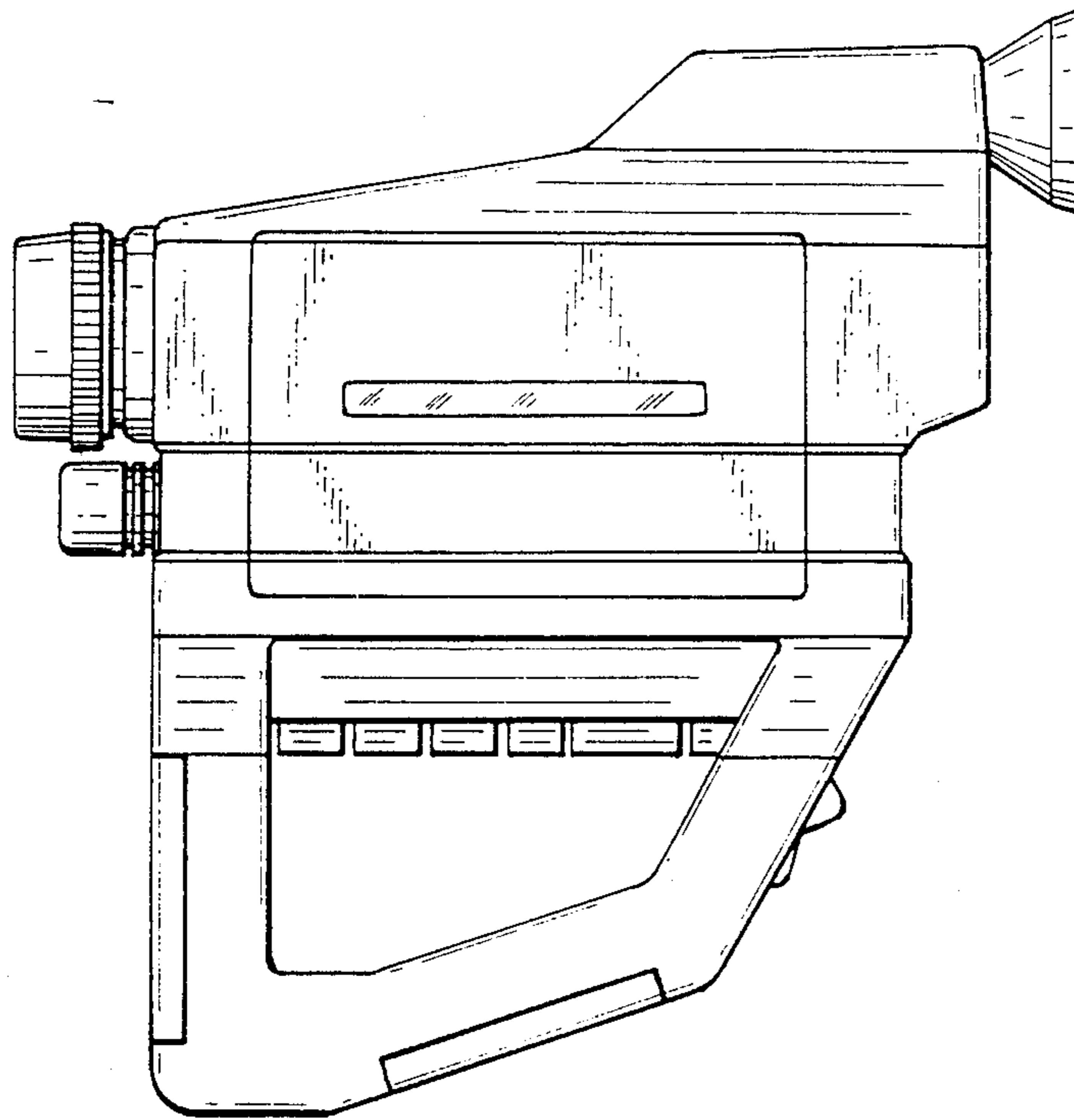


FIG. 1

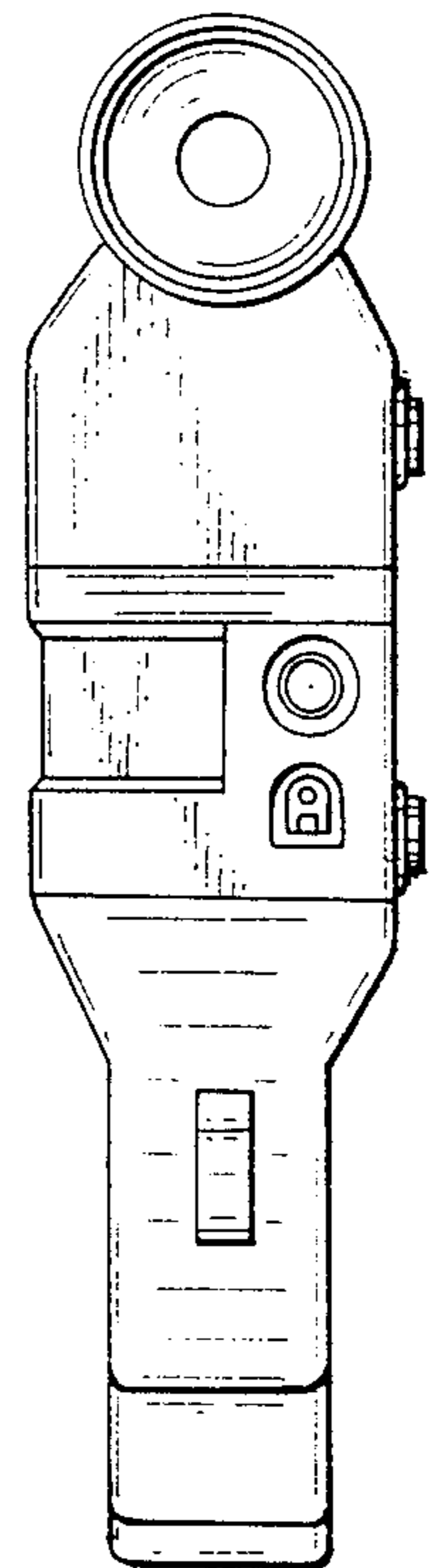


FIG. 2

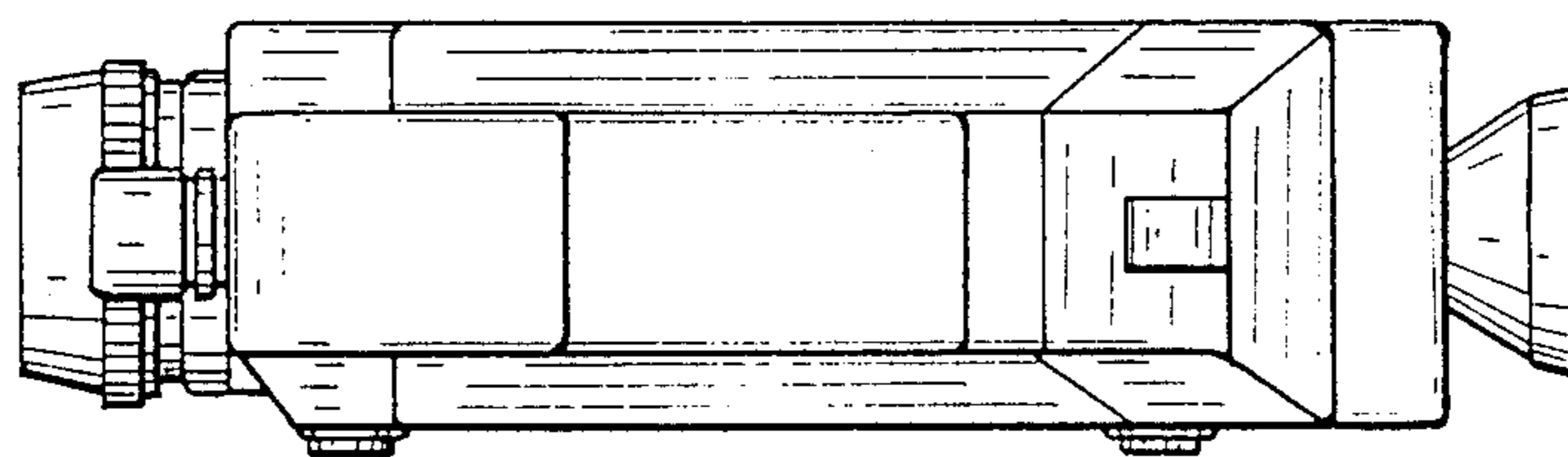


FIG. 3

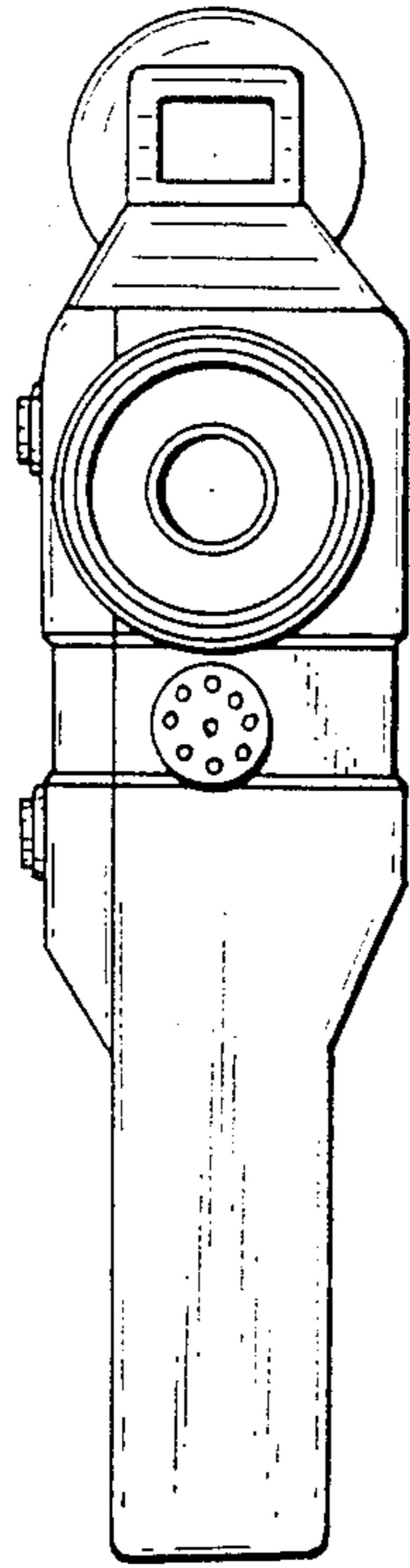


FIG. 4

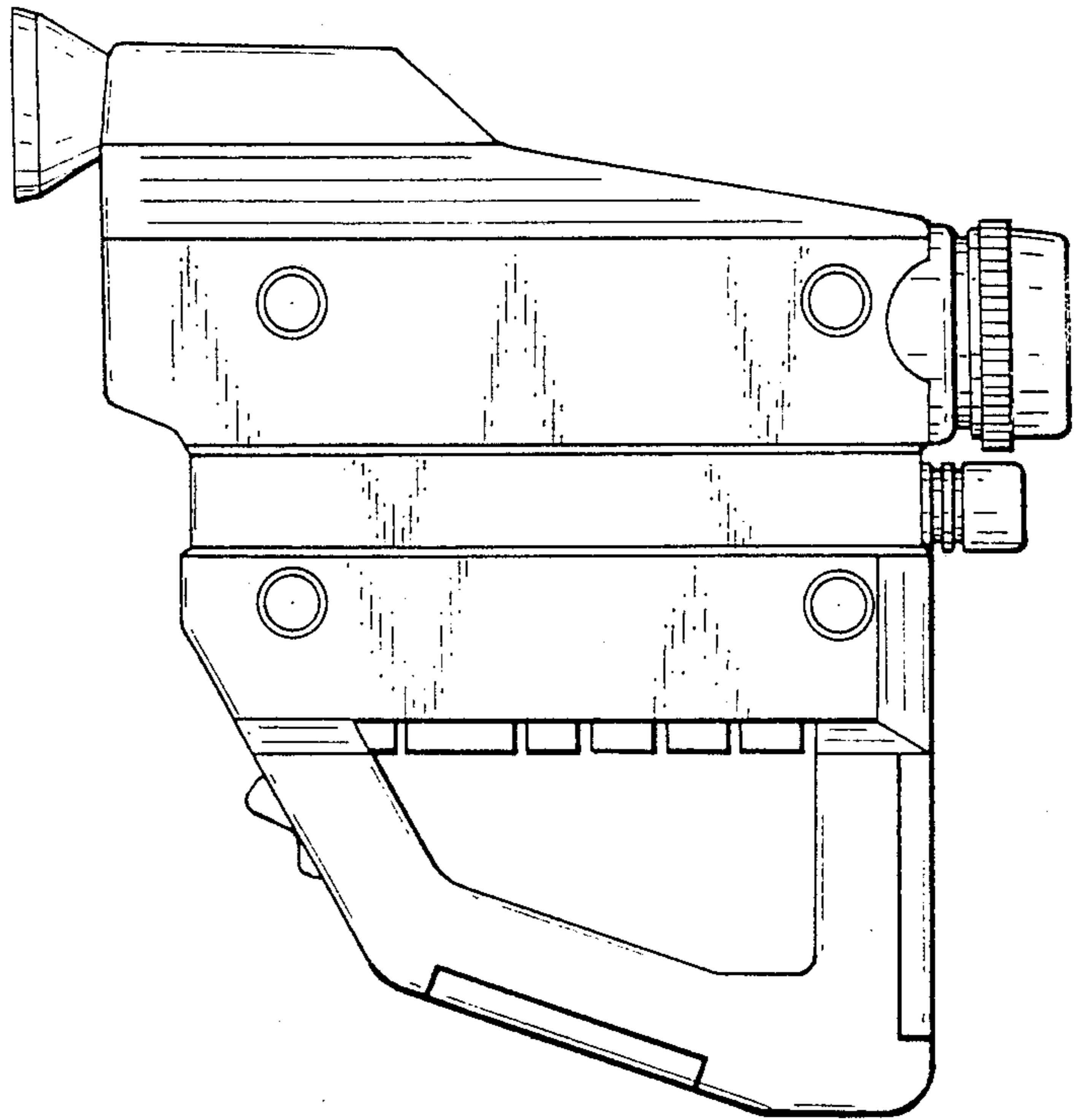


FIG. 5

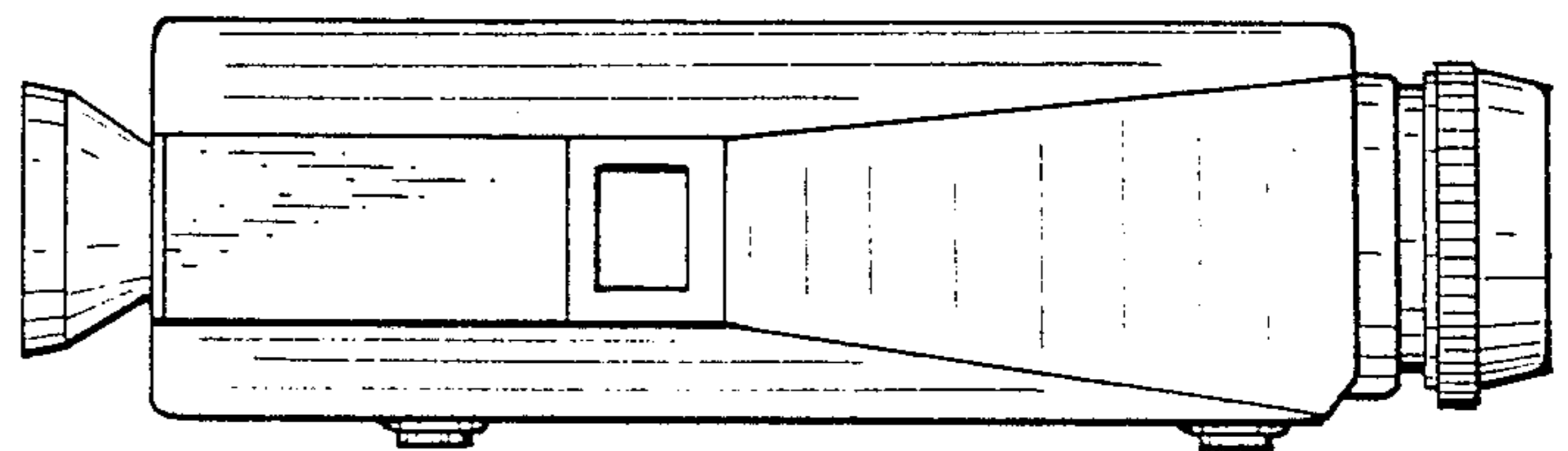


FIG. 6