

United States Patent [19]

Steel et al.

[11] Patent Number: **Des. 303,977**

[45] Date of Patent: **** Oct. 10, 1989**

[54] **MAGNIFIER**

[75] Inventors: **Veronica G. Steel, London, England;**
David F. Francis, Sydney, Australia

[73] Assignee: **Combined Optical Industries Limited,**
United Kingdom

[**] Term: **14 Years**

[21] Appl. No.: **36,284**

[22] Filed: **Apr. 9, 1987**

[30] **Foreign Application Priority Data**

Oct. 14, 1986 [GB] United Kingdom 1037361

[52] U.S. Cl. **D16/135**

[58] Field of Search D16/135; 350/235, 237,
350/239, 240, 242, 245, 246, 247, 255, 256

[56] **References Cited**

U.S. PATENT DOCUMENTS

D. 135,421	4/1943	Austin	D16/135
D. 143,744	2/1946	Miles	D16/135
D. 168,546	1/1953	Igler et al.	D16/135
D. 246,047	10/1977	Zalman	D16/135
2,150,916	3/1939	Forgea	350/235

Primary Examiner—Wallace R. Burke

Assistant Examiner—Stella M. Reid

Attorney, Agent, or Firm—Wood, Dalton, Phillips
Mason & Rowe

[57] **CLAIM**

The ornamental design for a magnifier, as shown and described.

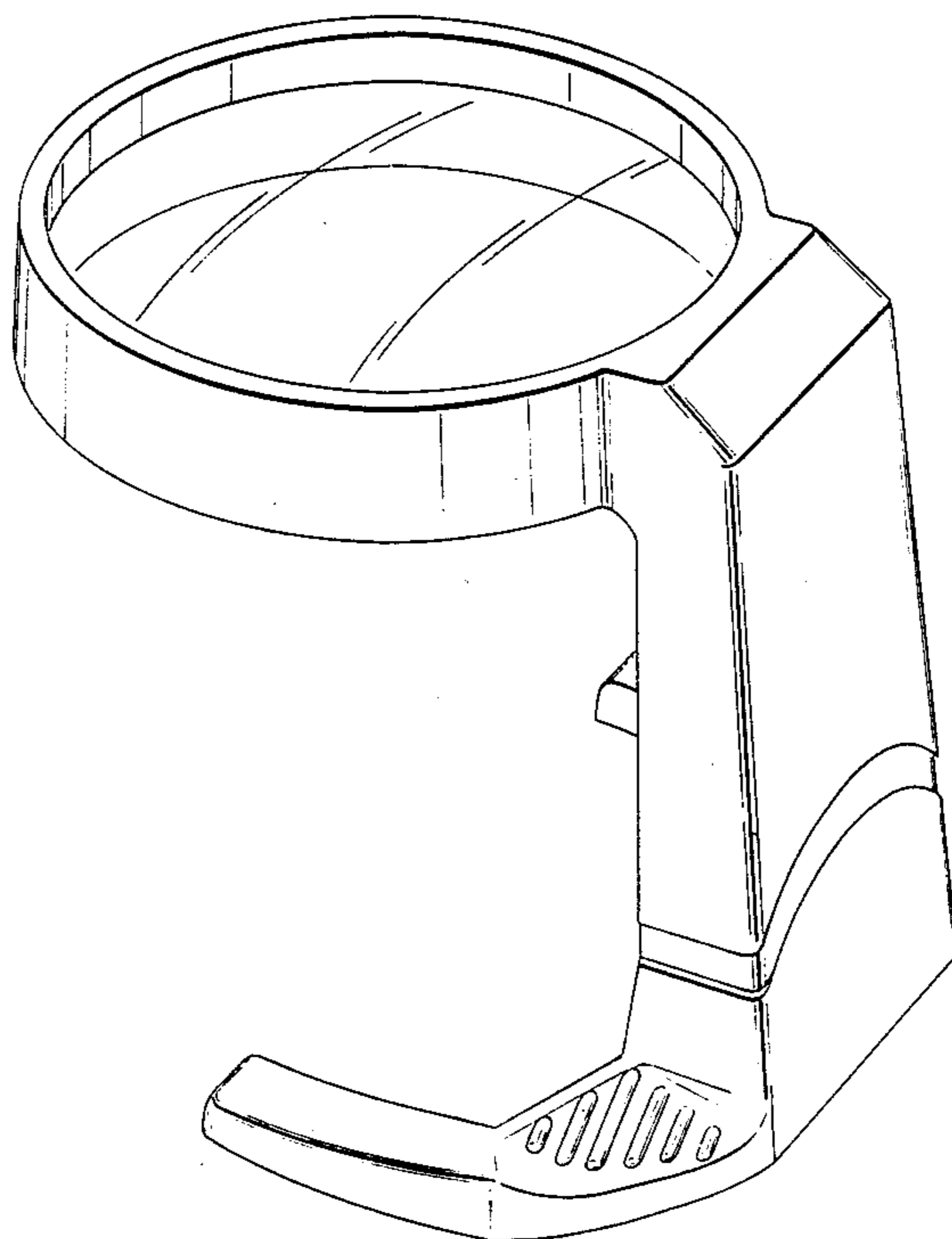
DESCRIPTION

FIG. 1 is a perspective view of a magnifier showing our new design;

FIG. 2 is a top plan view thereof;

FIG. 3 is a front elevational view thereof; and

FIG. 4 is a side elevational view thereof, the opposite side being a mirror image thereof.



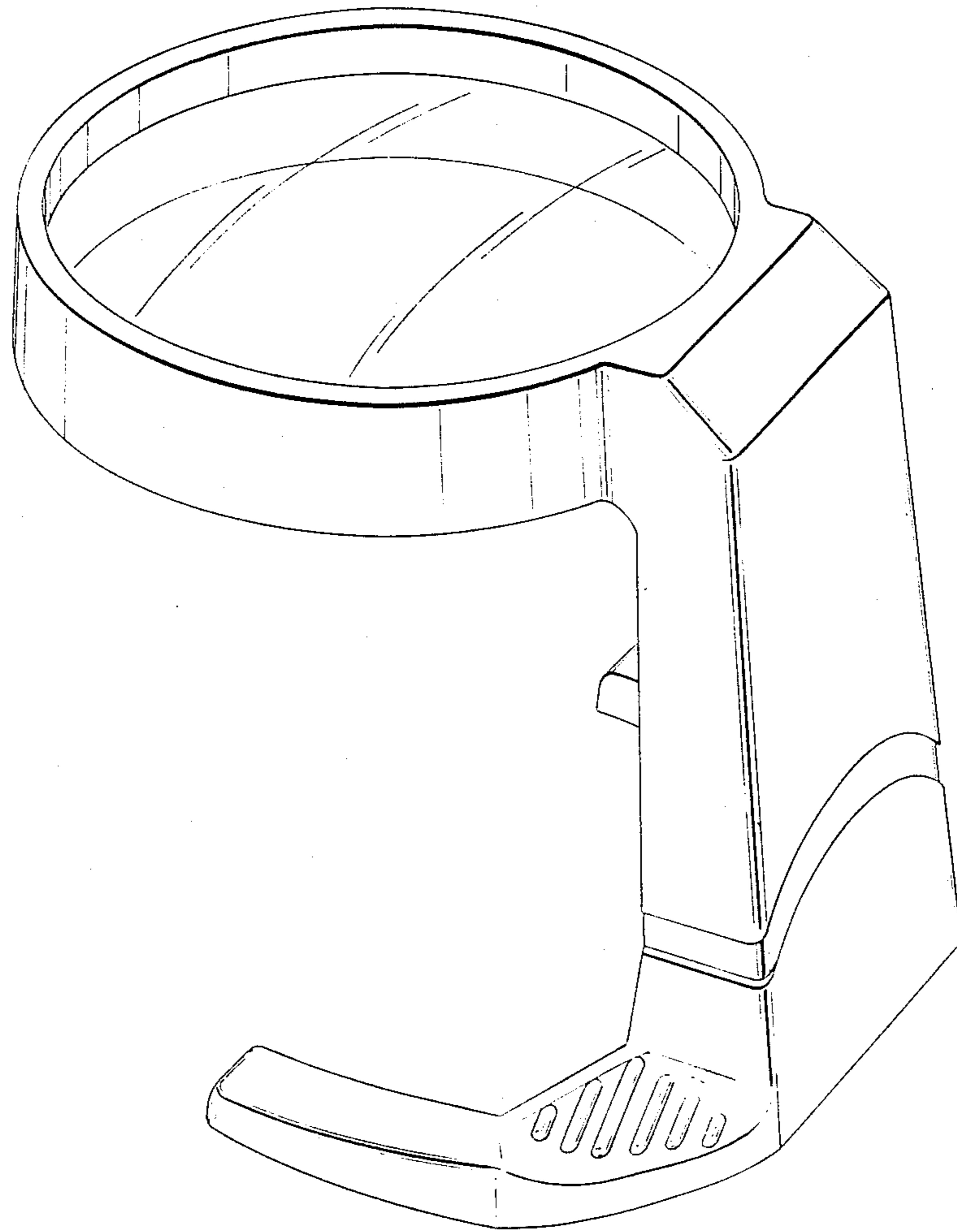


FIG. 1.

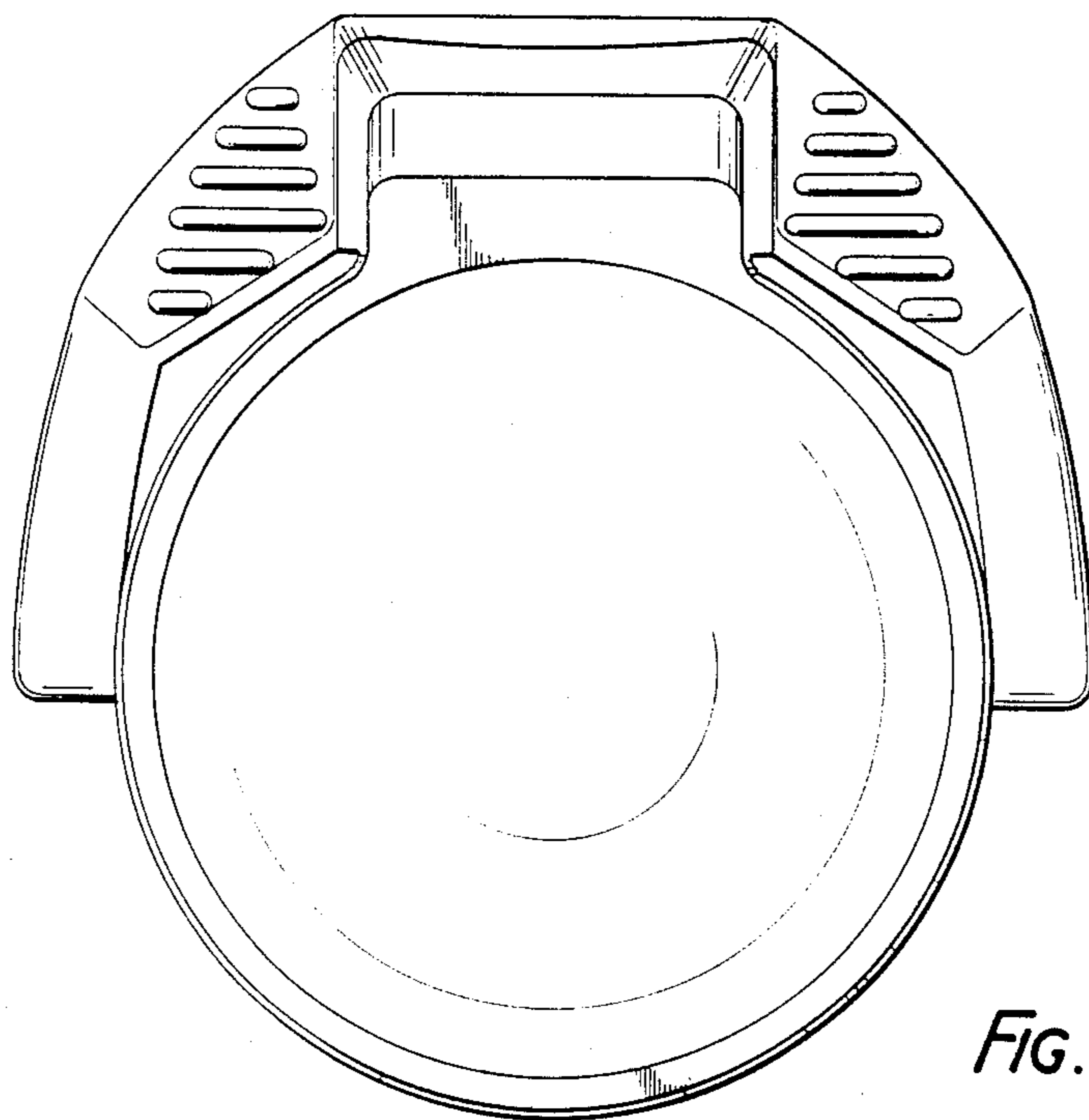


FIG. 2.

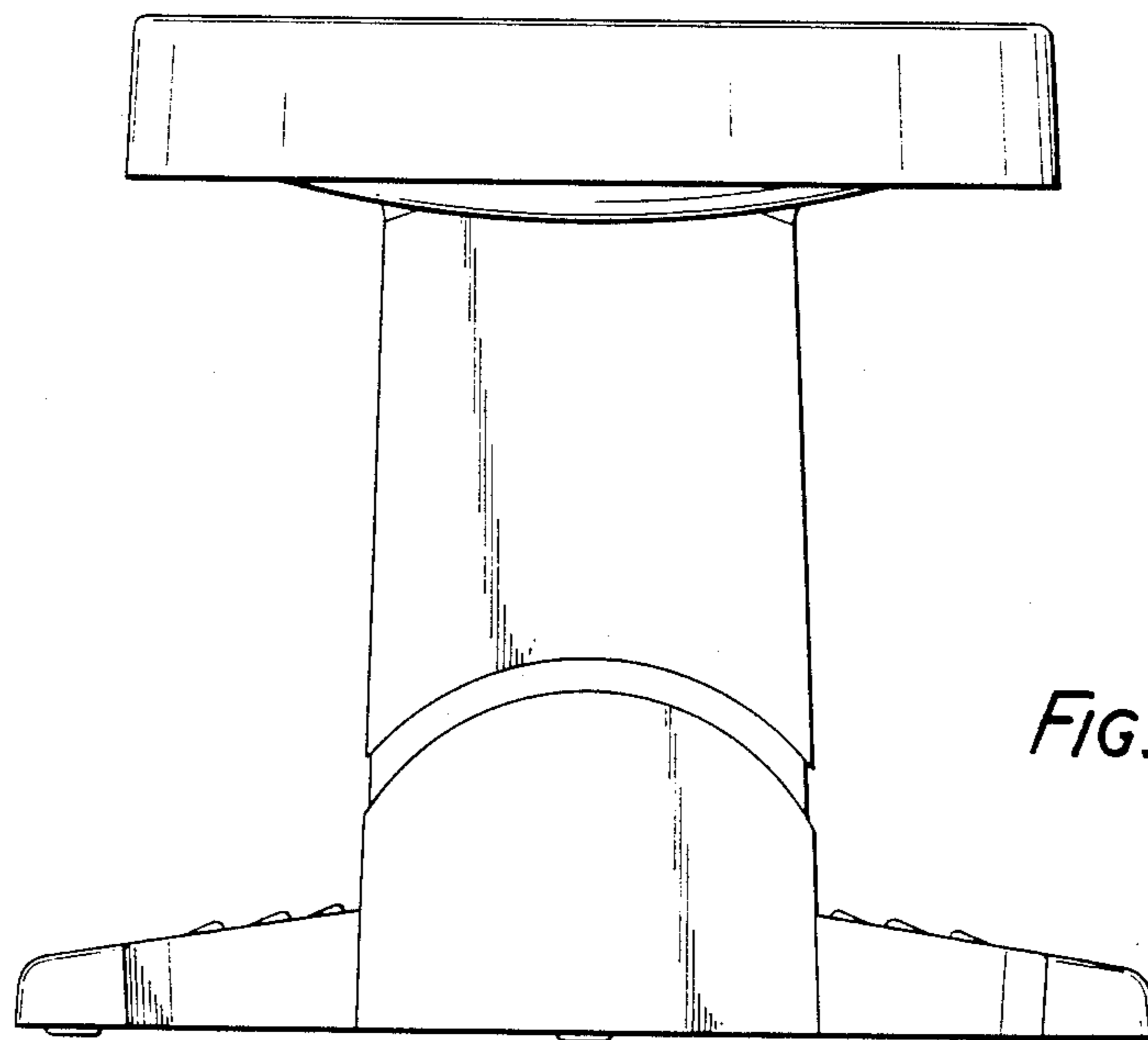


FIG. 3.

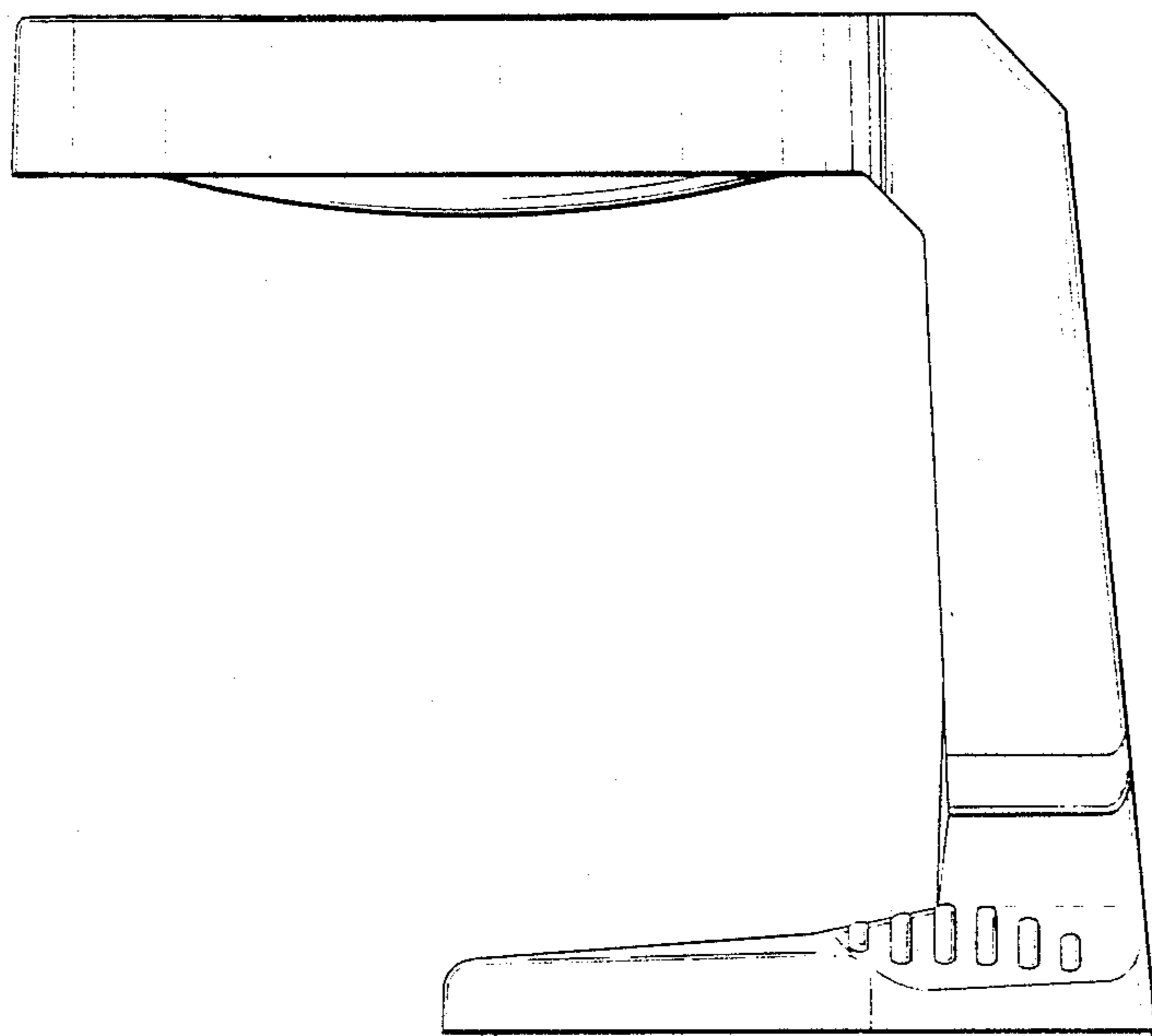


FIG. 4.