

[54] POWER ROLLER ELEMENT

[76] Inventor: Craig C. Karr, 1312 San Vicente Blvd., Santa Monica, Calif. 90402

[**] Term: 14 Years

[21] Appl. No.: 858,515

[22] Filed: May 1, 1986

[52] U.S. Cl. D15/126; D34/29

[58] Field of Search D34/28, 29; D8/70; D15/126; 29/148.4 D, 264, 129.5, DIG. 47; 51/375; 138/172, 173

[56] References Cited

U.S. PATENT DOCUMENTS

431,997	7/1890	Ross, Jr.	D15/126
2,285,375	6/1942	Hansen	29/148.4 D
2,774,200	12/1956	Block	51/375
3,814,054	6/1974	Tajihi	29/148.4 D
4,483,053	11/1984	Hamisch, Jr.	29/148.40

FOREIGN PATENT DOCUMENTS

1193879	6/1970	United Kingdom	51/375
---------	--------	---------------------	--------

Primary Examiner—Wallace R. Burke
Assistant Examiner—Kay H. Chin
Attorney, Agent, or Firm—Cislo & Thomas

[57] CLAIM

The ornamental design for a power roller element, as shown and described.

DESCRIPTION

FIG. 1 is a perspective view of a power roller element showing my new design;

FIG. 2 is an end elevational view thereof, the opposite end elevational view being a mirror image of that shown;

FIG. 3 is a side elevational view thereof, the opposite side elevational view being a mirror image of that shown;

FIG. 4 is a perspective view of a second embodiment, showing the power roller elements are on the ends of the cylinder; and

FIG. 5 is a perspective view of a third embodiment, showing the power roller element is on the central portion of the cylinder.

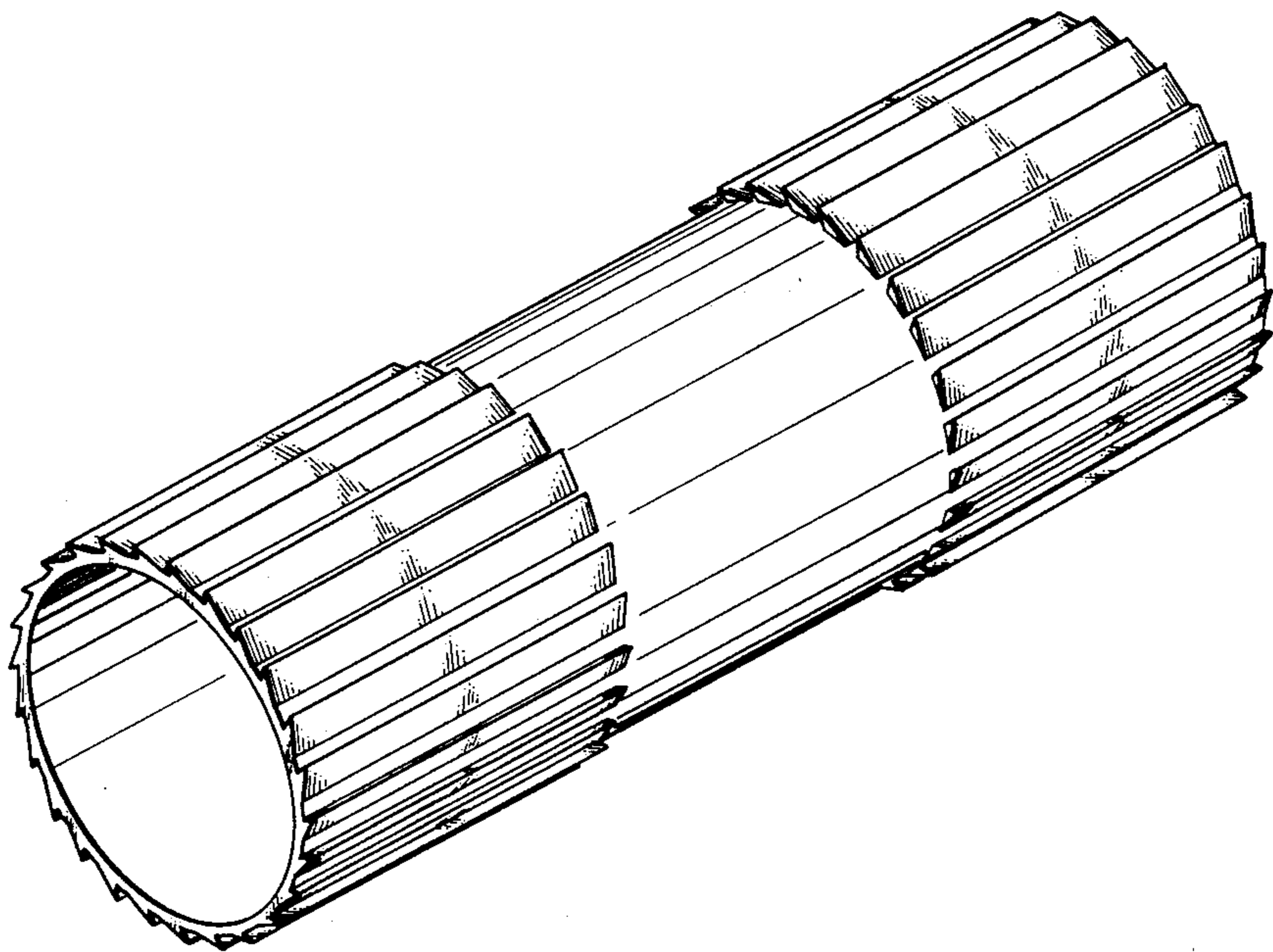
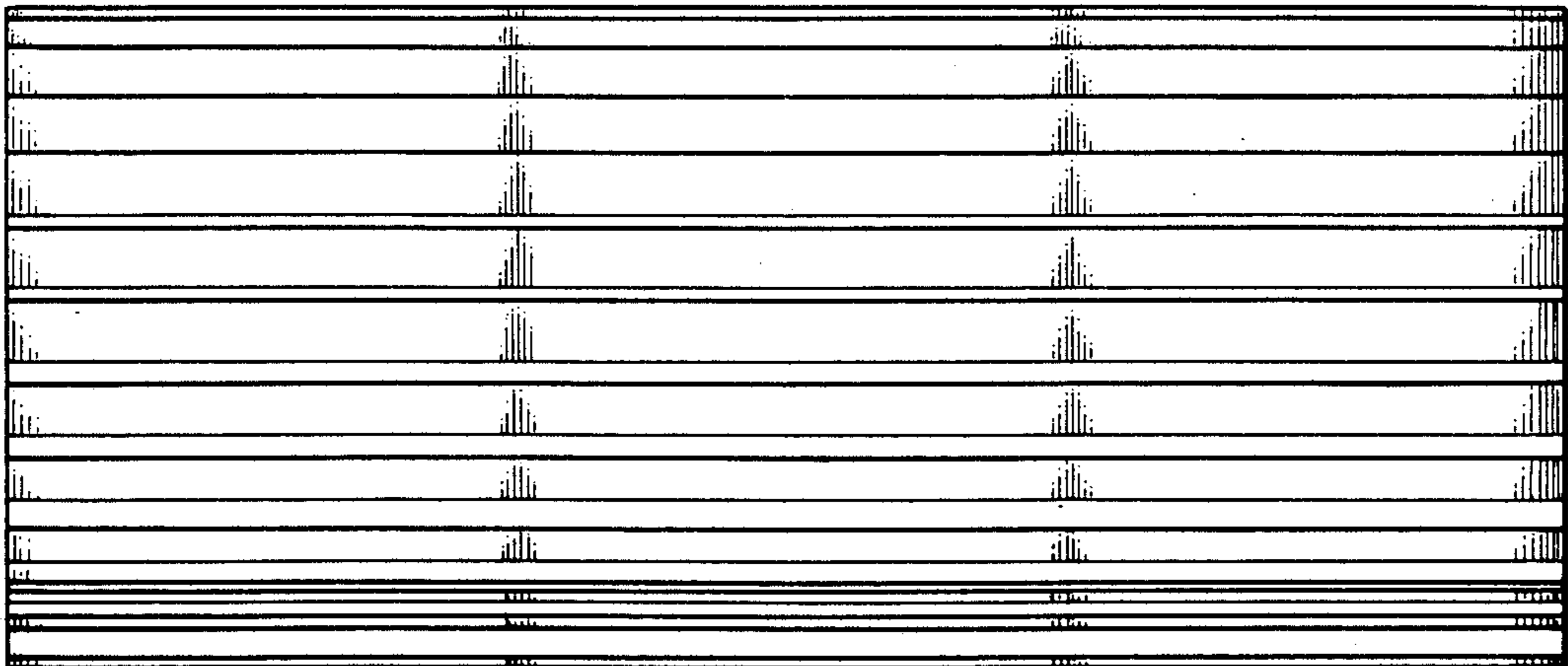


Fig. 1.

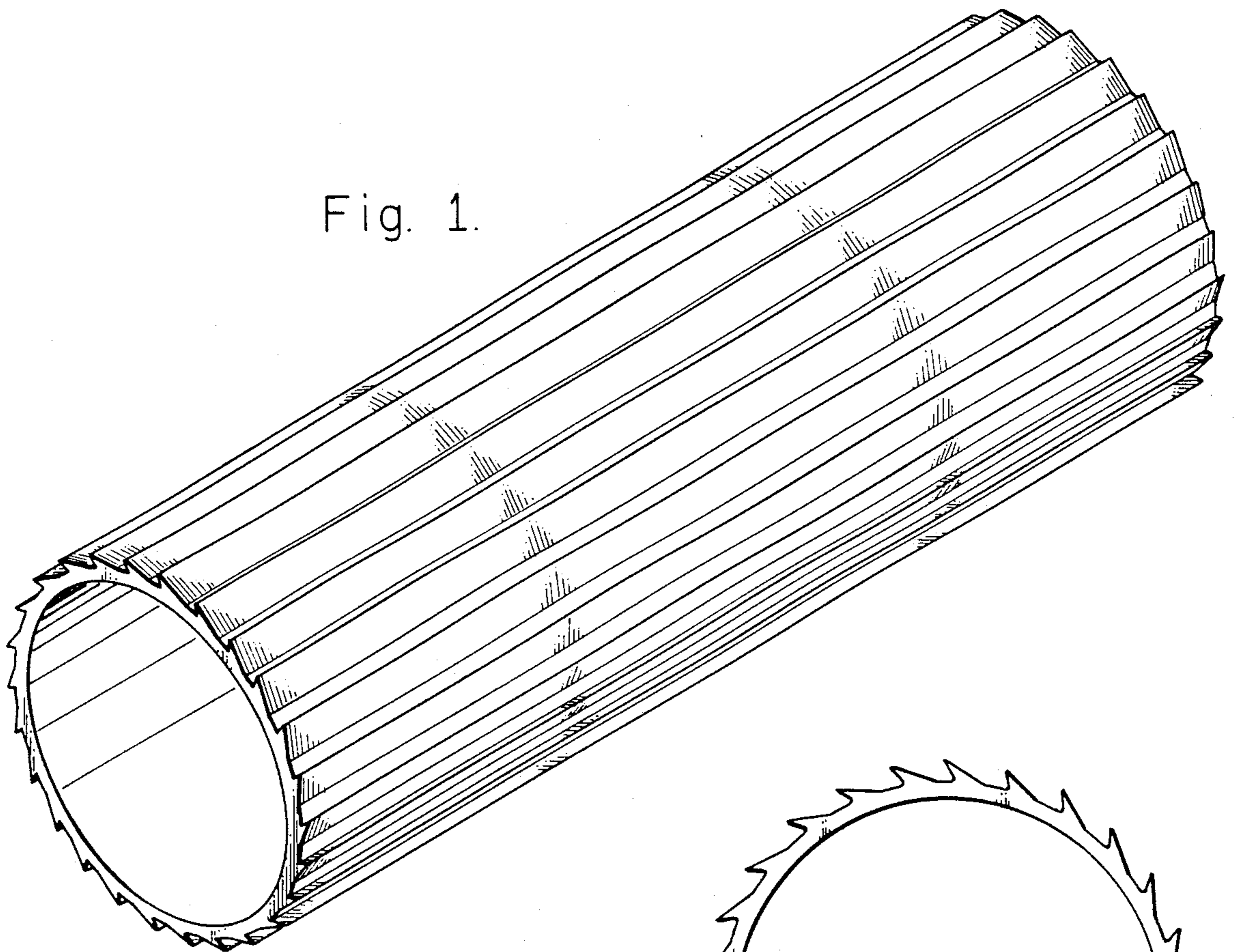


Fig. 2.

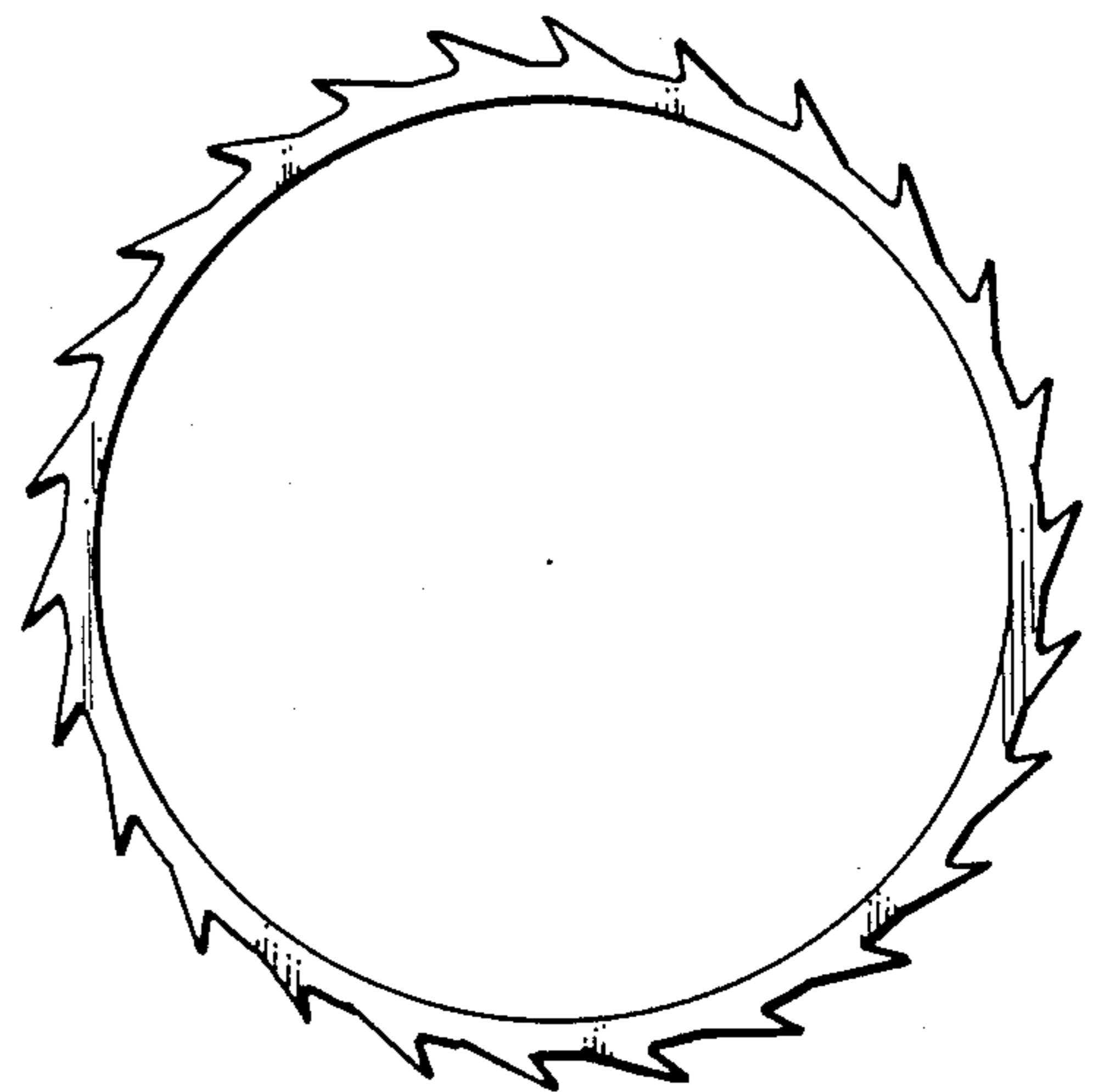


Fig. 3.

