

# United States Patent [19]

Fritzsche

[11] Patent Number: Des. 303,966

[45] Date of Patent: \*\* Oct. 10, 1989

[54] TELEPHONE STATION

[75] Inventor: Jochen Fritzsche, Munich, Fed. Rep. of Germany

[73] Assignee: Siemens Aktiengesellschaft, Berlin and Munich, Fed. Rep. of Germany

[\*\*] Term: 14 Years

[21] Appl. No.: 223,375

[22] Filed: Jul. 25, 1988

[30] Foreign Application Priority Data

Feb. 29, 1988 [DE] Fed. Rep. of Germany ..... BD.IORN.17704

[52] U.S. Cl. .... D14/151; D14/142

[58] Field of Search ..... D14/140, 142, 149, 151; 379/419, 420, 428, 432, 433, 435, 436, 440

[56] References Cited

U.S. PATENT DOCUMENTS

D. 280,324	8/1985	Endt .....	D14/151
D. 283,507	4/1986	Van Gilleive .....	D14/151
D. 284,079	6/1986	Kita et al. ....	D14/151
D. 284,190	6/1986	Ando et al. ....	D14/151
D. 287,489	12/1986	Sekiguchi et al. ....	D14/151
D. 293,906	1/1988	Sekiguchi et al. ....	D14/151

D. 294,023	2/1988	Sekiguchi et al. ....	D14/151
D. 297,935	10/1988	Kurosu et al. ....	D14/151
D. 298,132	10/1988	Hickling .....	D14/150
D. 299,342	1/1989	Büchin .....	D14/151
4,759,056	7/1988	Akiyama .....	D14/146 X

OTHER PUBLICATIONS

"GX" TM *High Technology in its Simplest Forms*; Inter-Tel: Published 1985.

Primary Examiner—Horace B. Fay, Jr.  
Attorney, Agent, or Firm—Hill, Van Santen, Steadman & Simpson

[57] CLAIM

The ornamental design for a telephone station, substantially as shown.

DESCRIPTION

FIG. 1 is a front and top perspective view of a telephone station showing my new design in cradled relationship;

FIG. 2 is a rear elevational view thereof;

FIGS. 3 and 4 are respectively left and right side elevational views thereof; and

FIG. 5 is a front, top and right side perspective view thereof. The showing of an electric cord in abbreviated form in FIGS. 1-4 is for convenience of illustration.

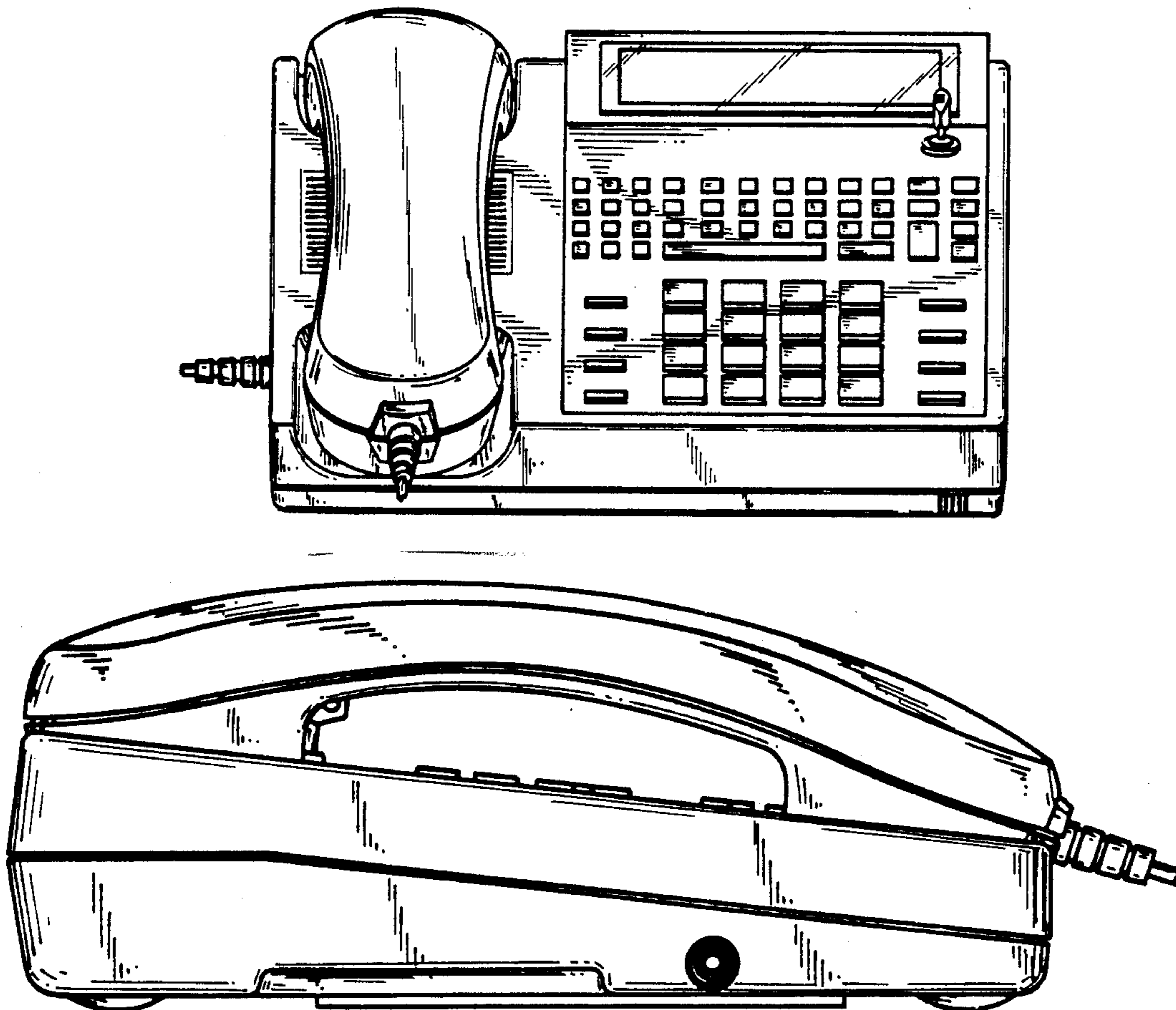


FIG 1

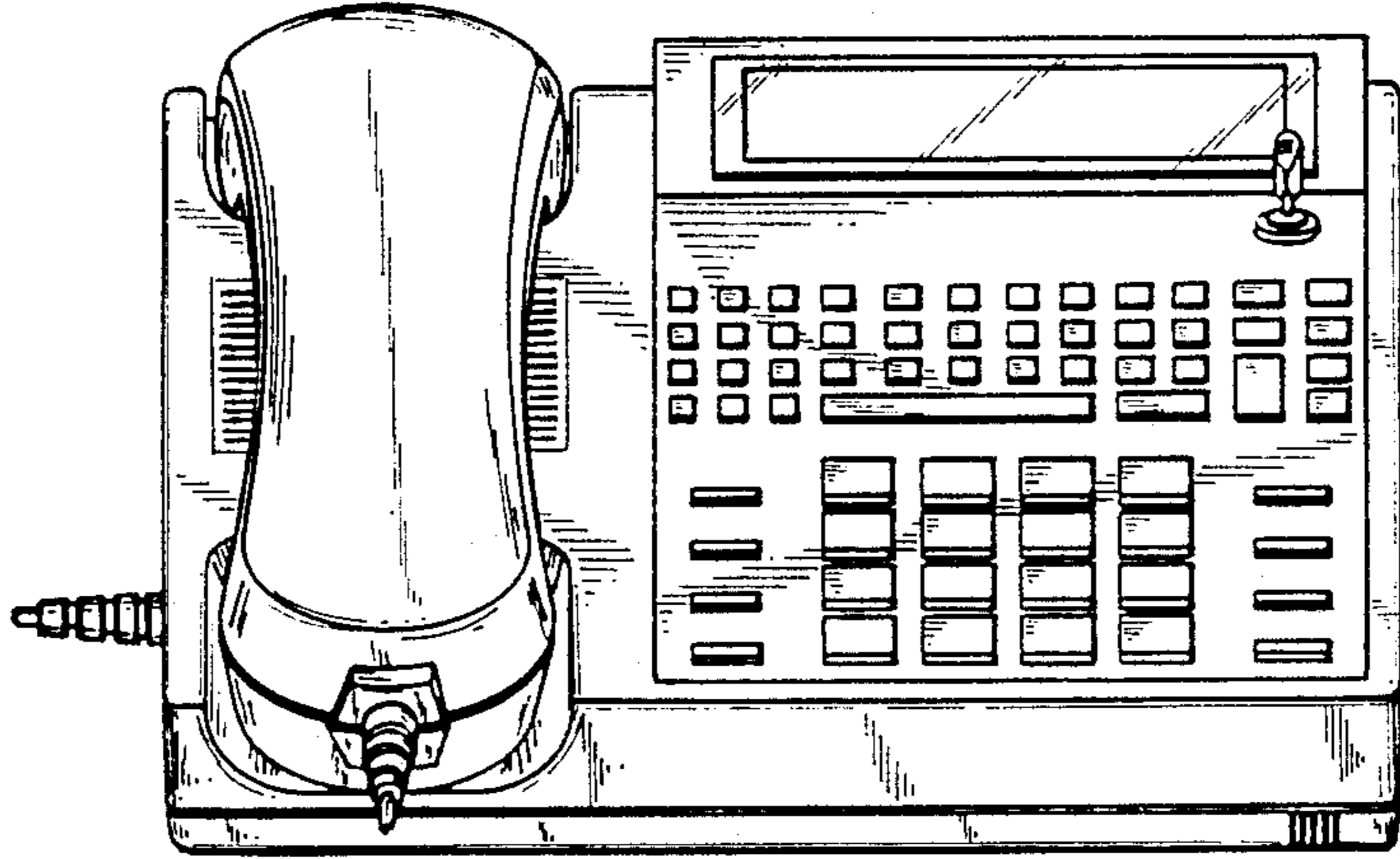


FIG 2

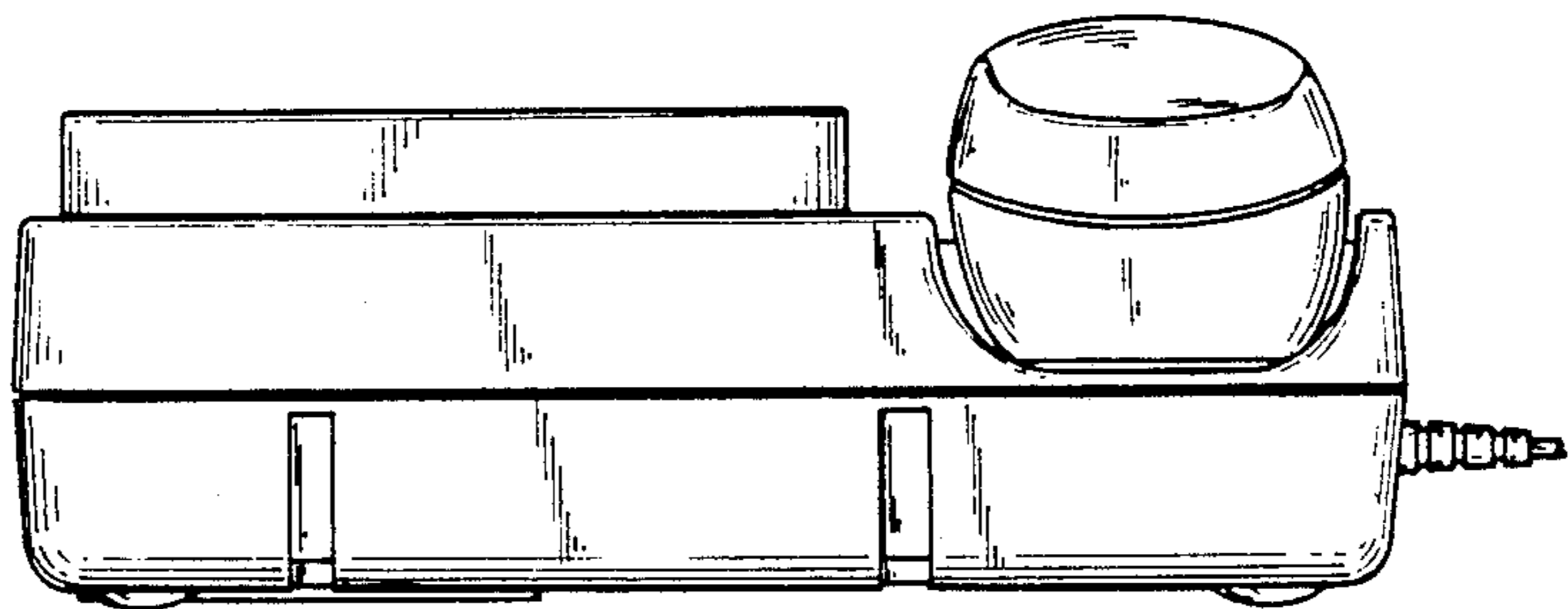


FIG 3

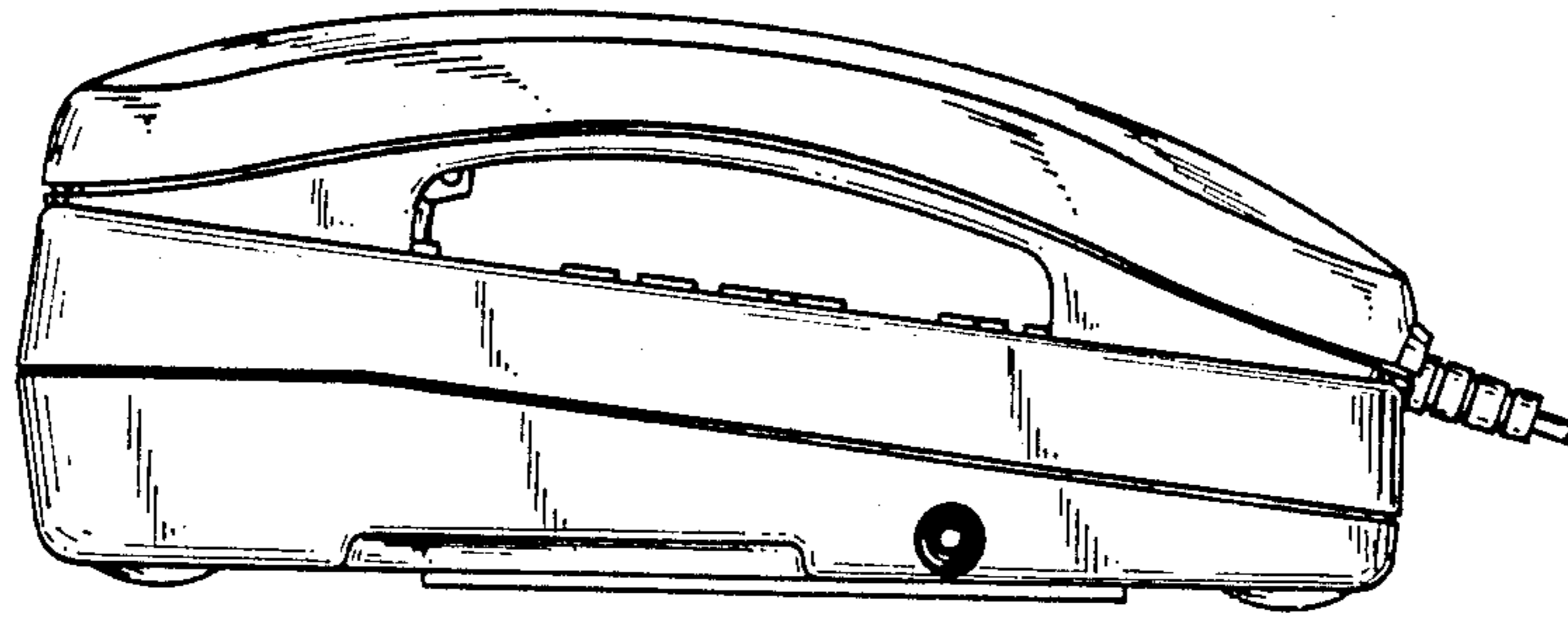


FIG 4

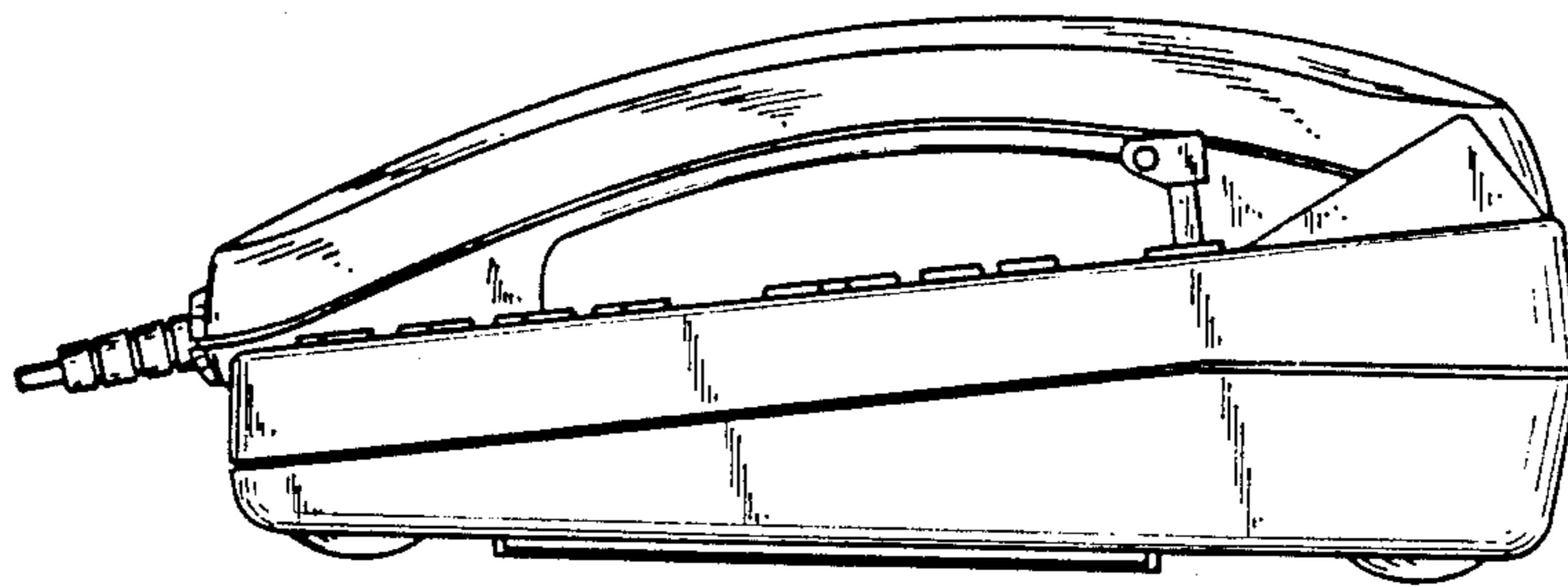


FIG. 5

