

[54] BASE FOR TELEPHONE SET

[75] Inventor: Edmond J. Helstab, Ottawa, Canada

[73] Assignee: Northern Telecom Limited, Montreal, Canada

[**] Term: 14 Years

[21] Appl. No.: 165,680

[22] Filed: Mar. 8, 1988

[52] U.S. Cl. D14/142; D14/151

[58] Field of Search D14/140, 149, 151; 379/436, 440, 419, 420, 428, 432, 435

[56] References Cited

U.S. PATENT DOCUMENTS

- D. 262,875 2/1982 Franchi et al. D14/141
- D. 292,090 9/1987 Shintomi D14/141
- D. 293,440 12/1987 Britz et al. D14/151 X
- D. 293,441 12/1987 Kowalik et al. D14/151
- D. 293,783 1/1988 Martinez D14/141

- D. 294,250 2/1988 Watanabe et al. D14/151 X
- D. 295,408 4/1988 Boykiw D14/149
- D. 296,437 6/1988 Martinez D14/141
- D. 297,535 9/1988 Gagnon D14/151
- D. 298,131 10/1988 Gagnon D14/149
- D. 300,319 3/1989 Stockholm et al. D14/151

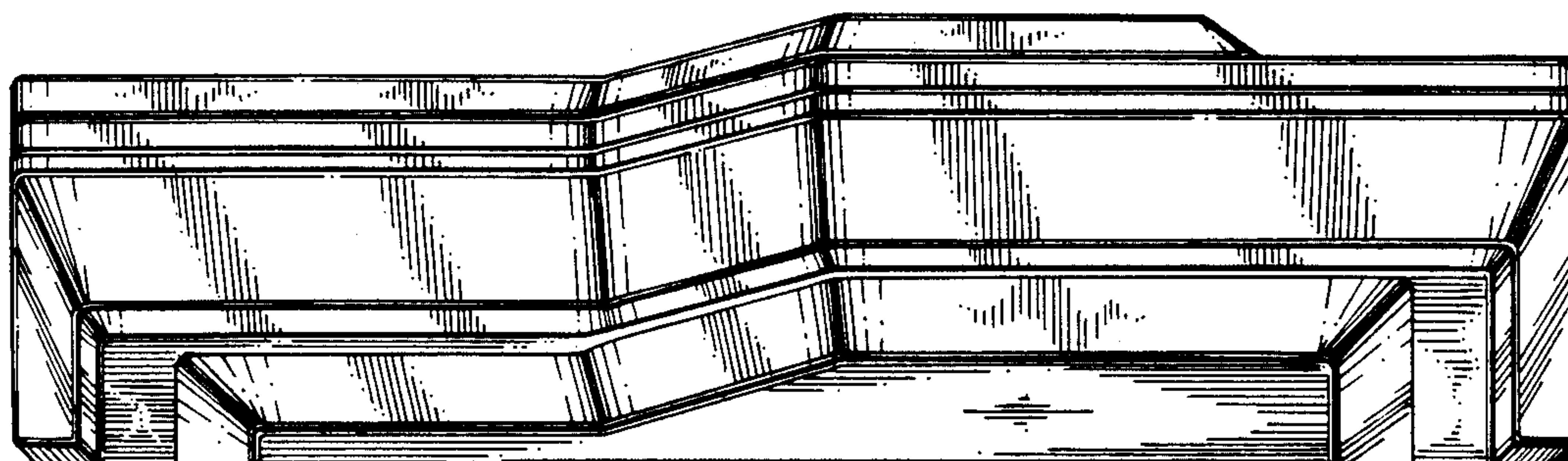
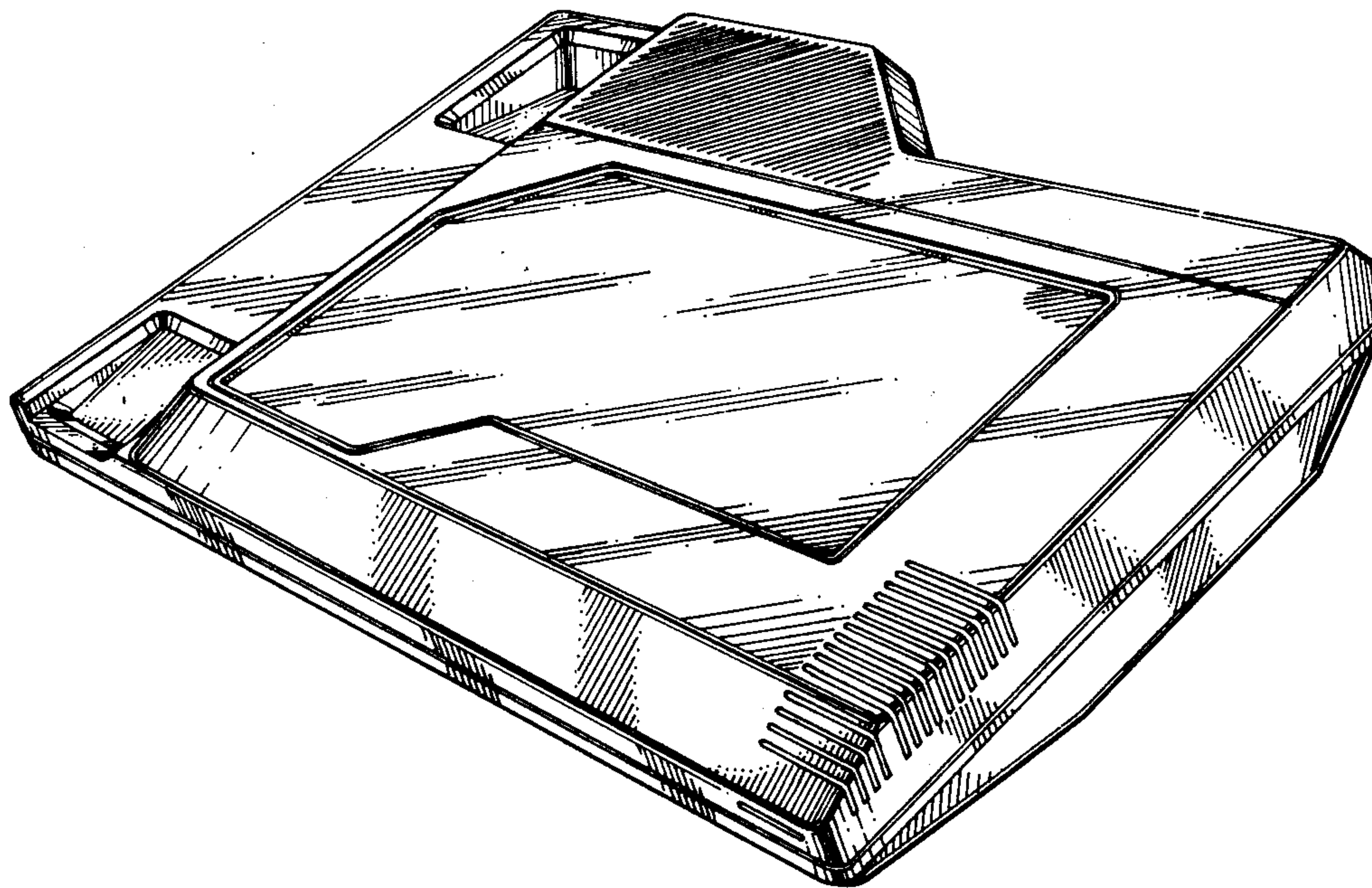
Primary Examiner—Horace B. Fay, Jr.
Attorney, Agent, or Firm—Robert C. Hogeboom

[57] CLAIM

The ornamental design for a base for telephone set, shown and described.

DESCRIPTION

FIG. 1 is a top, front, and side perspective view of a base for a telephone set, showing my new design;
 FIG. 2 is a top plan view thereof;
 FIG. 3 is a front elevational view thereof;
 FIG. 4 is a bottom plan view thereof;
 FIG. 5 is a back elevational view thereof;
 FIG. 6 is a right side elevational view thereof;
 FIG. 7 is a left side elevational view thereof.



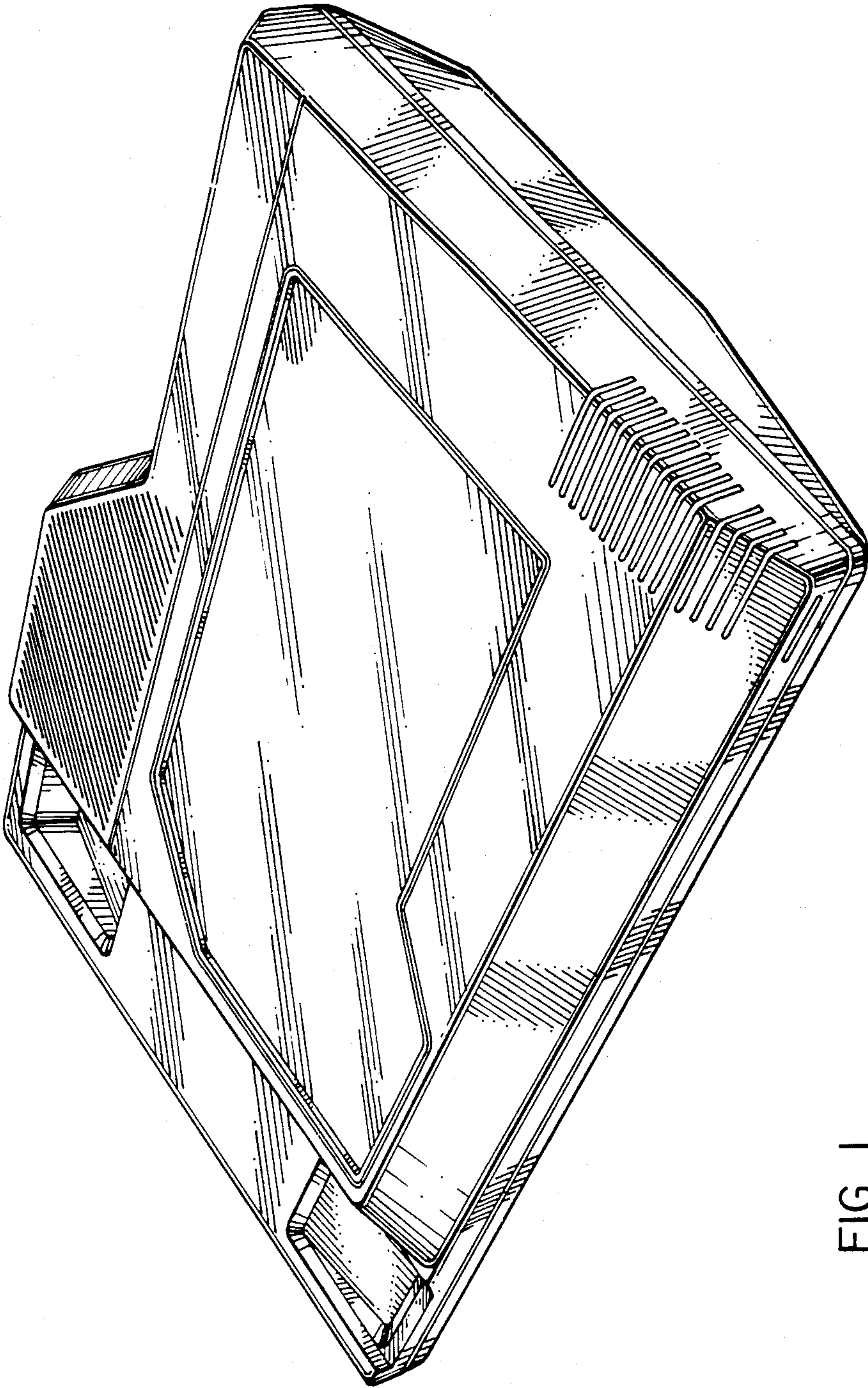


FIG. 1

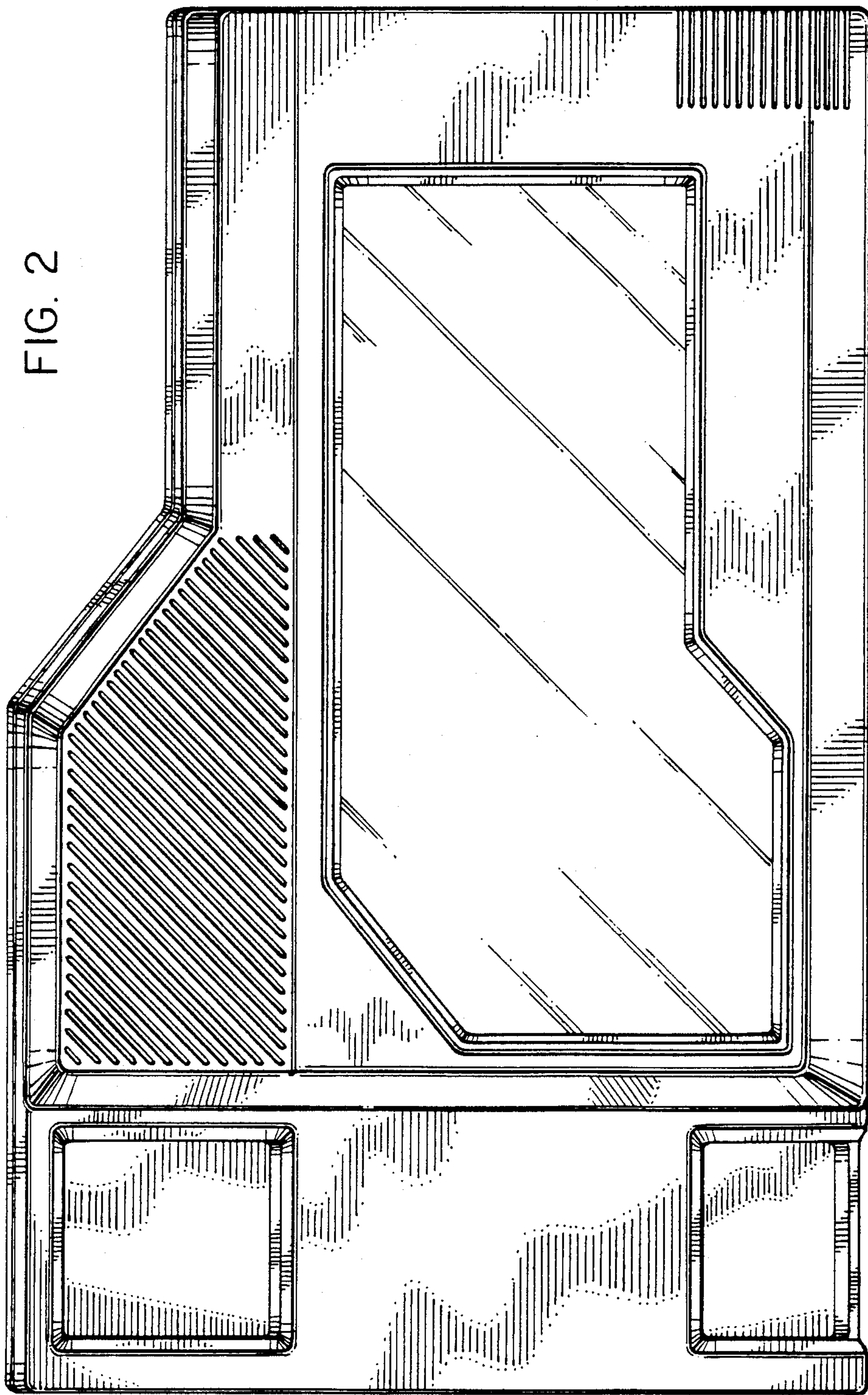


FIG. 2

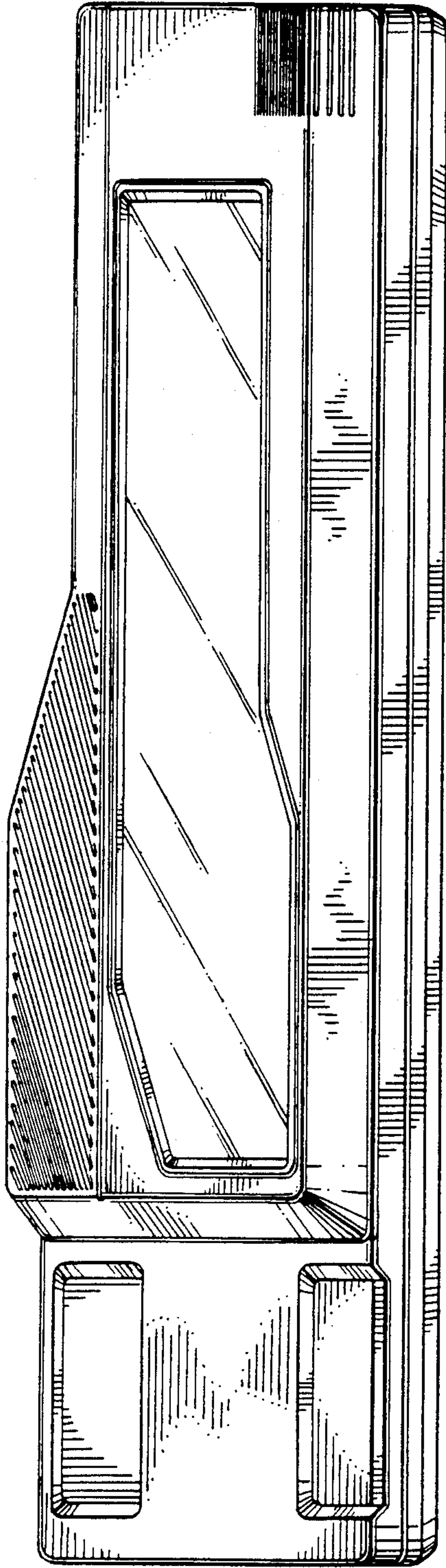


FIG. 3

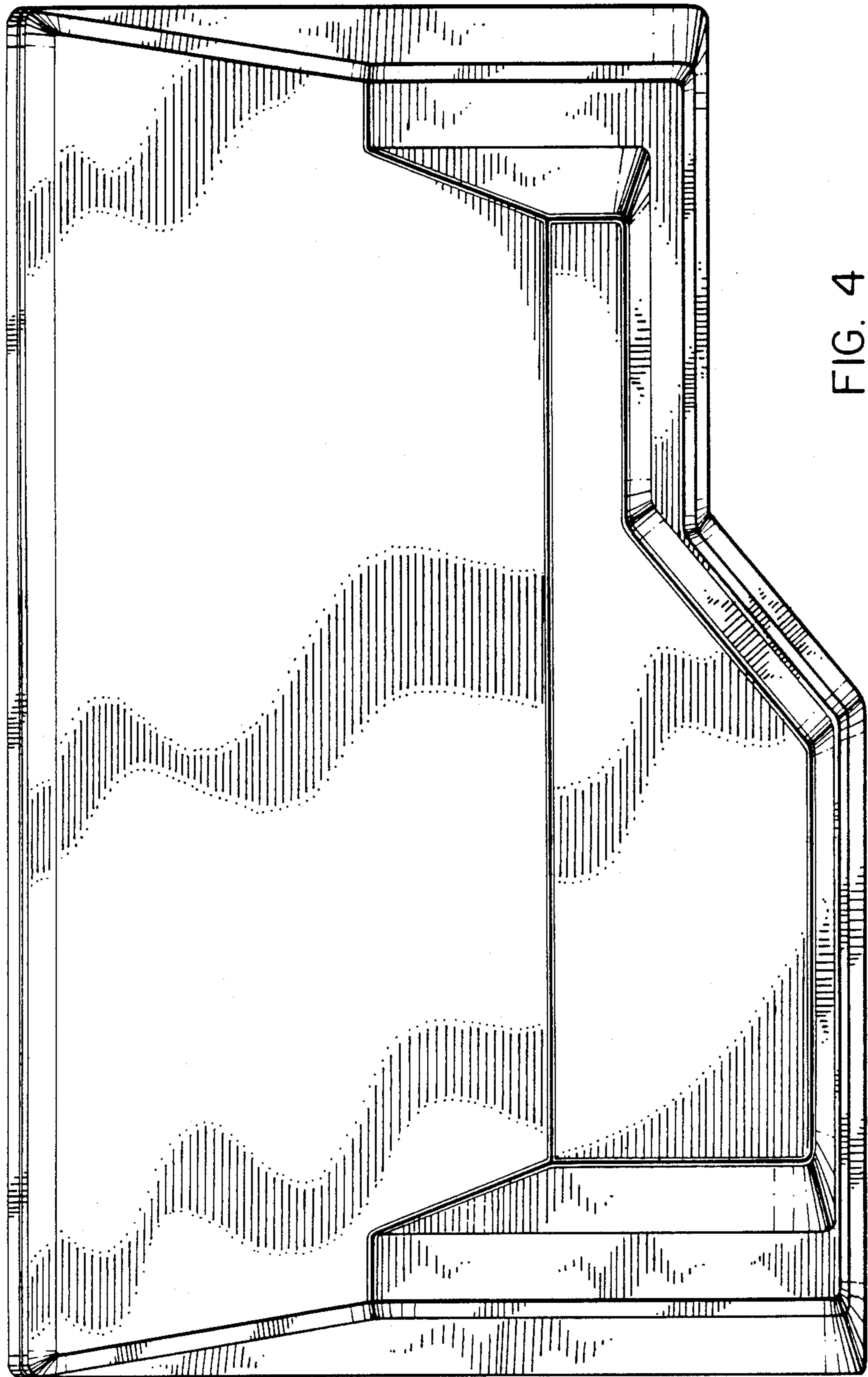


FIG. 4

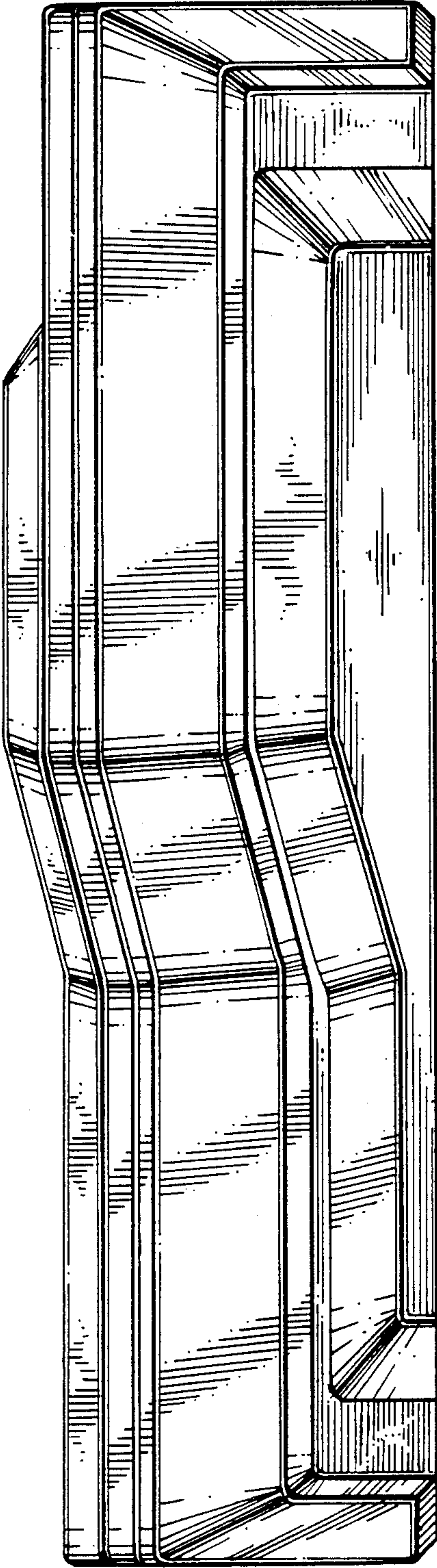


FIG. 5

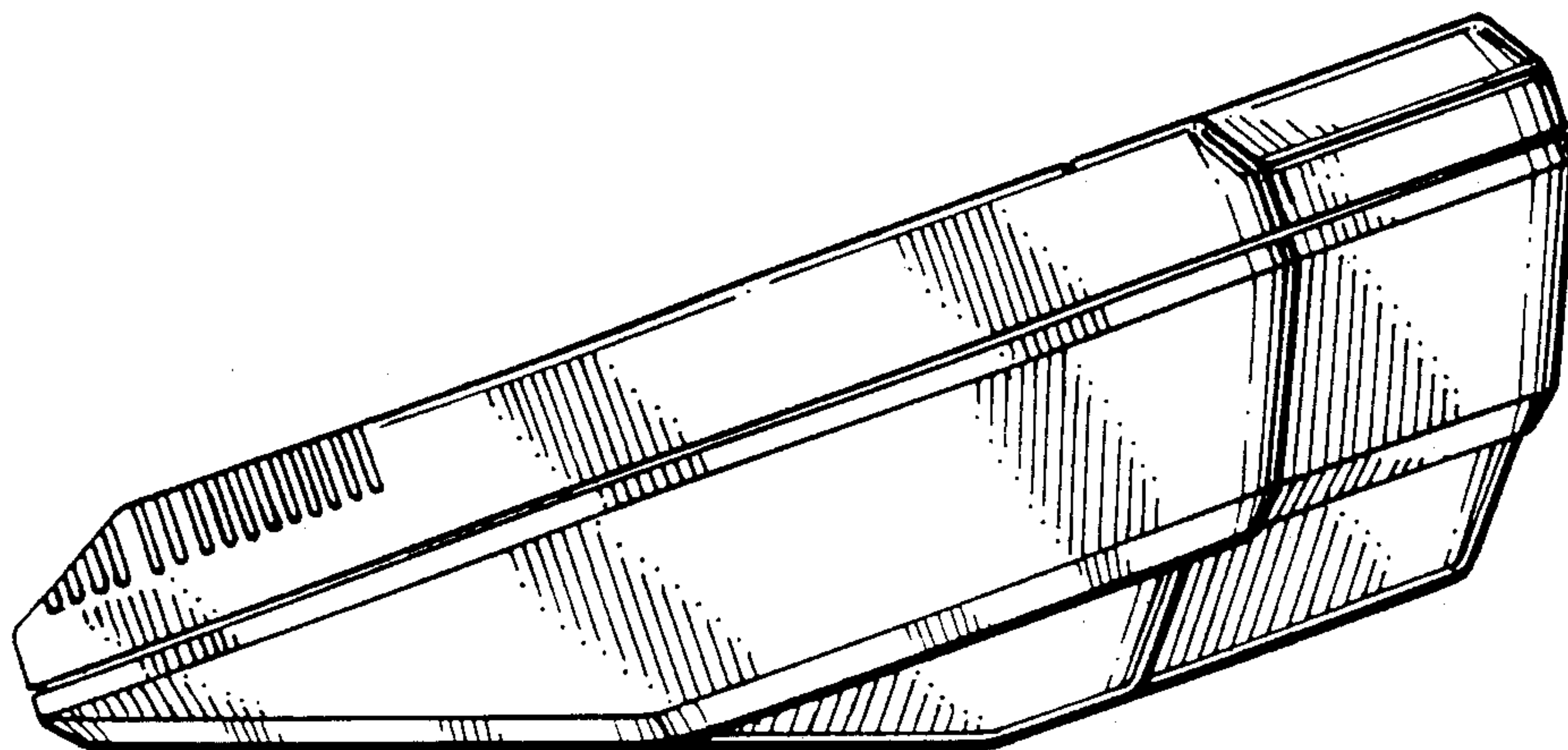


FIG. 6

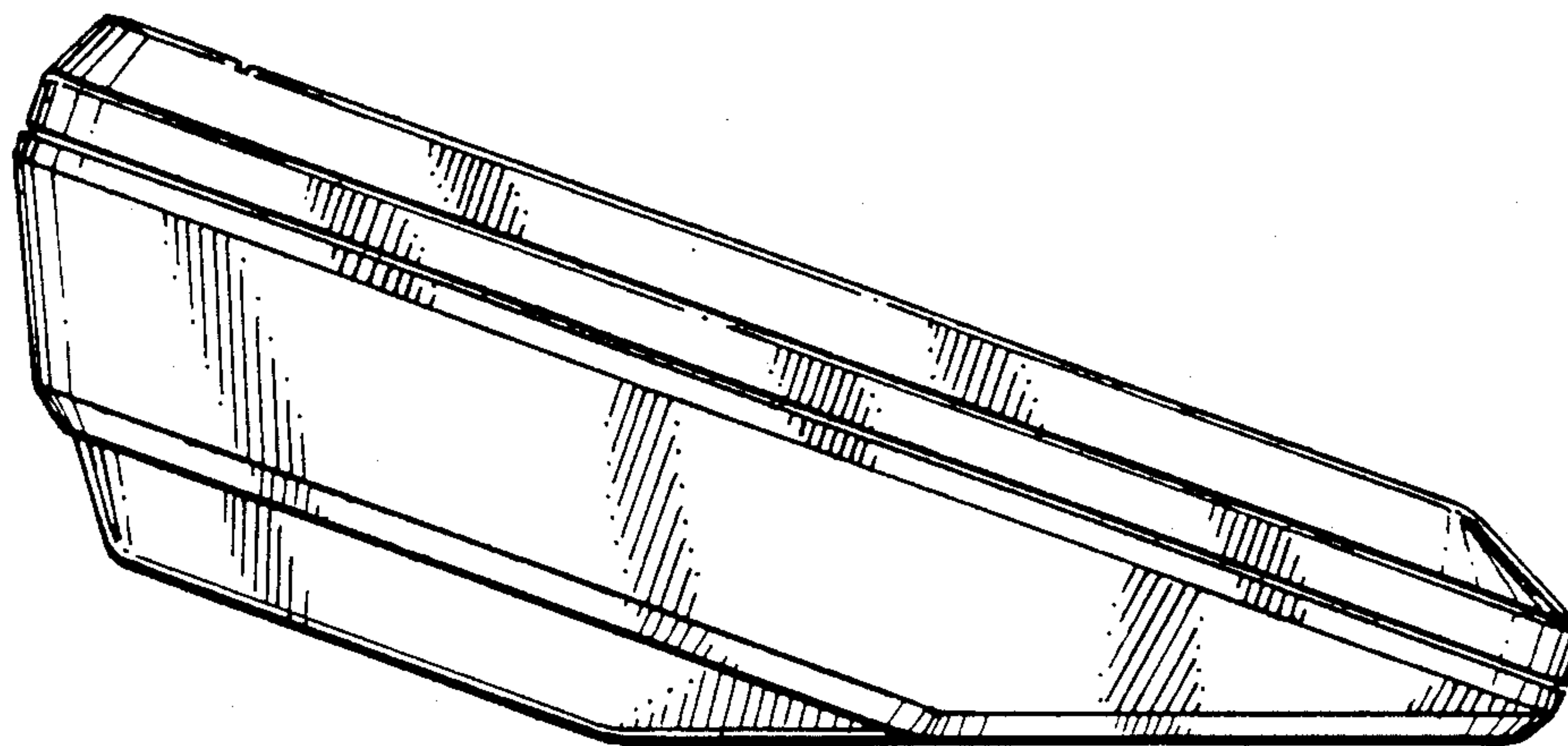


FIG. 7