

United States Patent [19]

Asou

[11] Patent Number: **Des. 303,962**

[45] Date of Patent: **** Oct. 10, 1989**

[54] **OUTDOOR VIDEO DISPLAY UNIT**

[75] Inventor: **Tohru Asou, Nagasaki, Japan**

[73] Assignee: **Mitsubishi Denki Kabushiki Kaisha, Tokyo, Japan**

[**] Term: **14 Years**

[21] Appl. No.: **822,552**

[22] Filed: **Jan. 27, 1986**

[30] **Foreign Application Priority Data**

Jul. 27, 1985 [JP] Japan 60-32171

[52] U.S. Cl. **D14/128; D14/124; D14/299**

[58] Field of Search D20/10; 358/237, 354, 358/355, 231; 312/7.2; 40/541, 564, 568, 575, 576; D14/77, 79, 82, 99; 340/700

[56] **References Cited**

U.S. PATENT DOCUMENTS

D. 289,757 5/1987 House D14/82 X
D. 289,770 5/1987 Ciufu, Sr. D14/77 X
2,543,146 2/1951 Bace 312/7.2 X
3,789,140 1/1974 McQueen et al. 358/254

3,794,399 2/1974 Conner et al. 312/7.2 X
4,303,946 12/1981 Berry 358/254

OTHER PUBLICATIONS

Mitsubishi Diamond Vision Catalog, 4-1982, Outdoor Video Display System.

Mitsubishi Diamond Vision Catalog, 4-1986, pp. 6 & 7, Outdoor Video Display System.

Primary Examiner—Susan J. Lucas

Attorney, Agent, or Firm—Sughrue, Mion, Zinn, Macpeak & Seas

[57] **CLAIM**

The ornamental design for outdoor video display unit, as shown and described.

DESCRIPTION

FIG. 1 is a front elevational view of an outdoor video display unit showing my new design;

FIG. 2 is a rear elevational view thereof;

FIG. 3 is a right side elevational view thereof, the opposite side being a mirror image thereof;

FIG. 4 is a top plan view thereof;

FIG. 5 is a bottom plan view thereof; and

FIG. 6 is an enlarged, front, top and right side perspective view thereof.

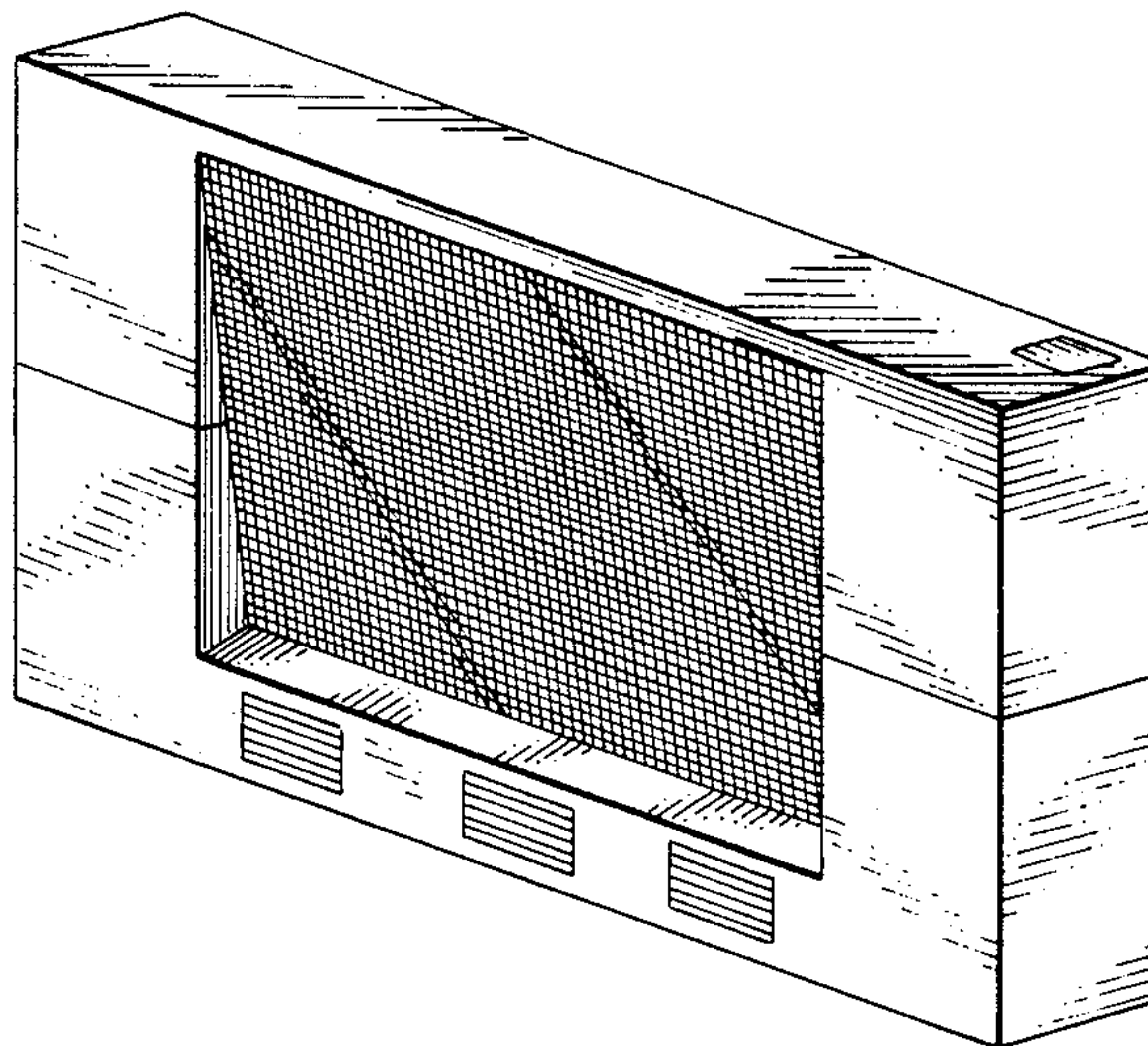


FIG. 1

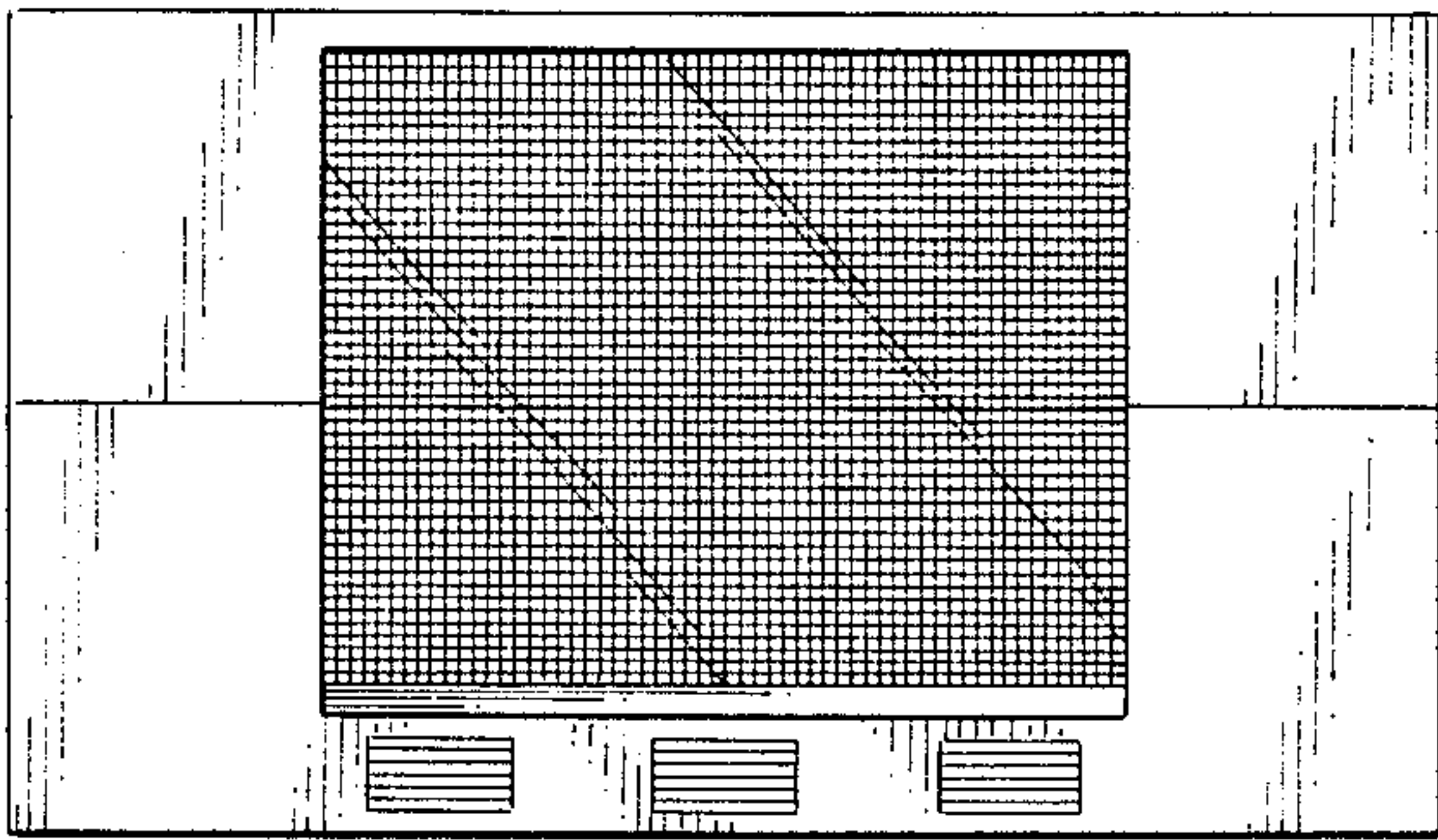


FIG. 2

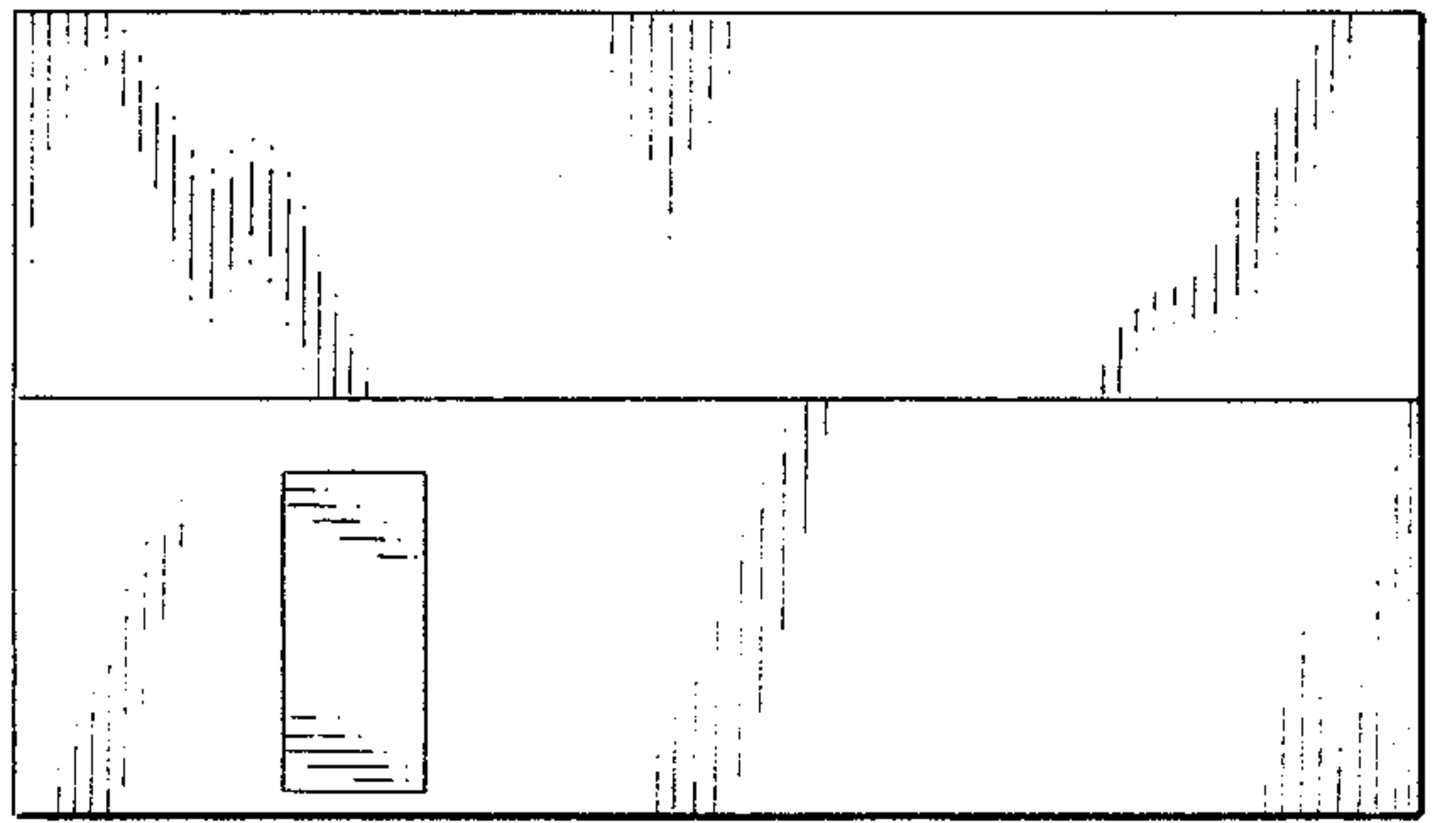


FIG. 3

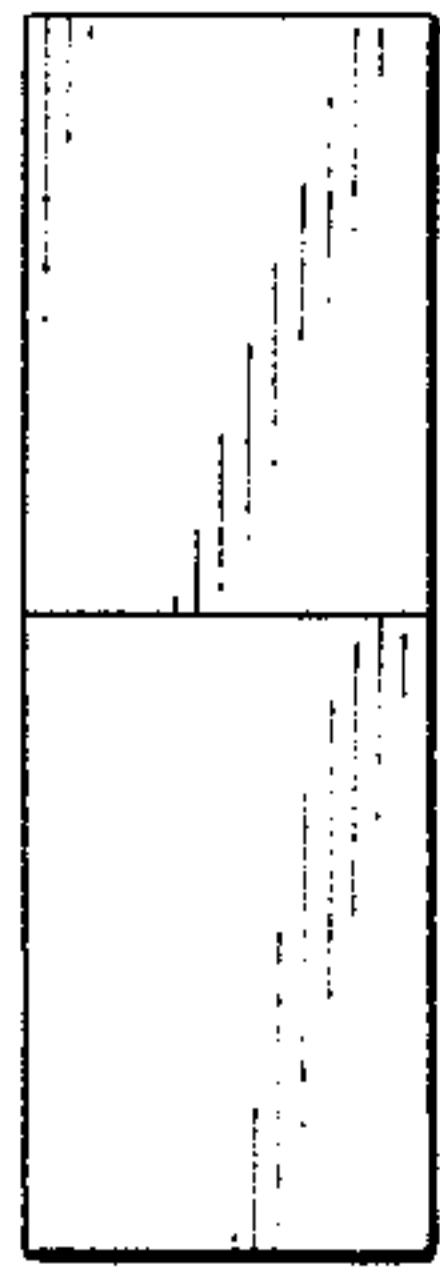


FIG. 4

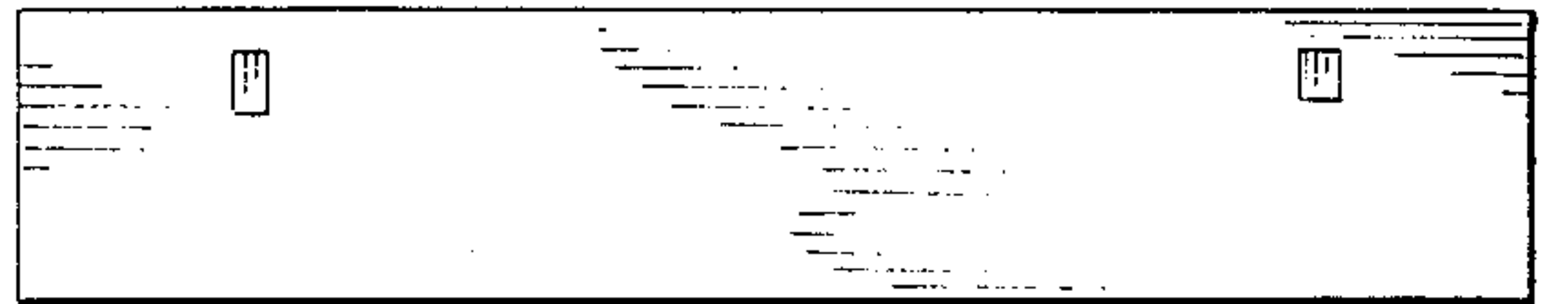
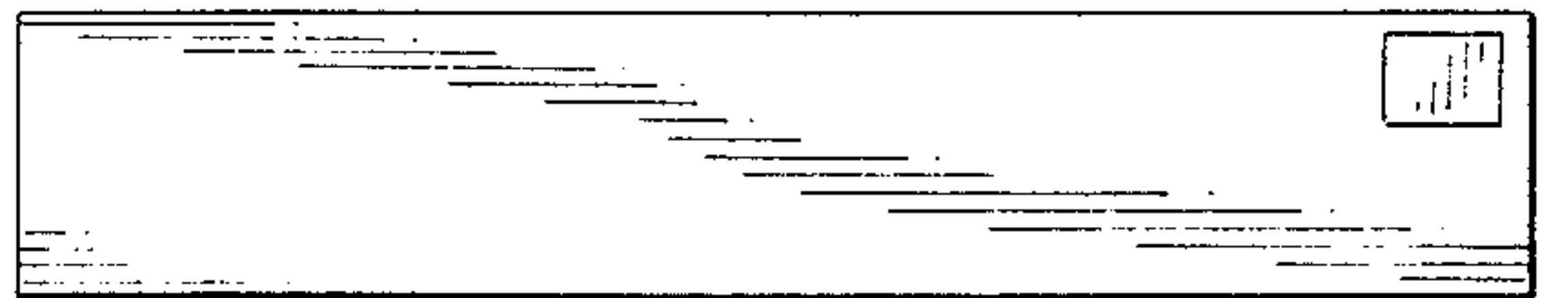


FIG. 5

FIG. 6

