

[54] **REEL FOR A VIDEO TAPE RECORDER**
[75] **Inventor: Suk E. Kim, Cheonan, Rep. of Korea**
[73] **Assignee: SKC Limited, Kyohgki, Rep. of Korea**
[**] **Term: 14 Years**
[21] **Appl. No.: 948**
[22] **Filed: Dec. 31, 1986**
[30] **Foreign Application Priority Data**
Jul. 5, 1986 [KR] Rep. of Korea 86-9569
[52] **U.S. Cl. D14/122**
[58] **Field of Search D14/115, 120, 121, 122;
242/71.8, 197, 198, 199**

[56] **References Cited**
U.S. PATENT DOCUMENTS
D. 240,192 6/1976 Balmer, Jr. D14/122
D. 289,517 4/1987 Kikuchi D14/121

D. 293,569 1/1988 Igarashi D14/122
D. 293,570 1/1988 Igarashi D14/122
4,606,511 8/1986 Machida 242/71.8

Primary Examiner—Bernard Ansher
Assistant Examiner—Theodore M. Shooman
Attorney, Agent, or Firm—Lackenbach Siegel Marzullo & Aronson

[57] **CLAIM**
The ornamental design of a reel for a video tape recorder.

DESCRIPTION
FIG. 1 is a top and front perspective view of a tape reel for a video tape recorder showing my new design;
FIG. 2 is a top plan view thereof;
FIG. 3 is a front elevational view thereof;
FIG. 4 is a bottom plan view thereof;
FIG. 5 is a rear elevational view thereof; and
FIG. 6 is a side elevational view thereof, the opposite side being identical.

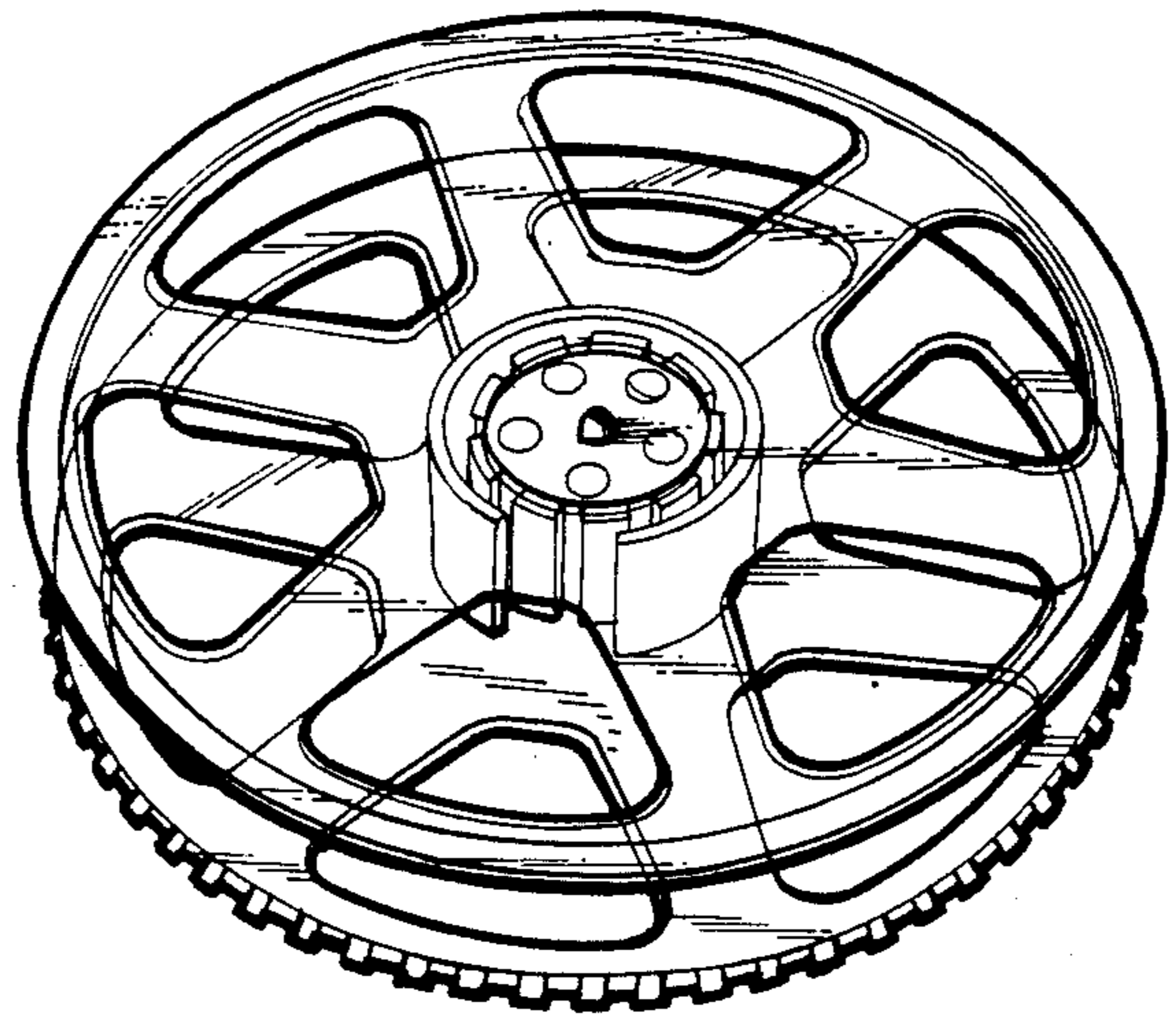


FIG. 1

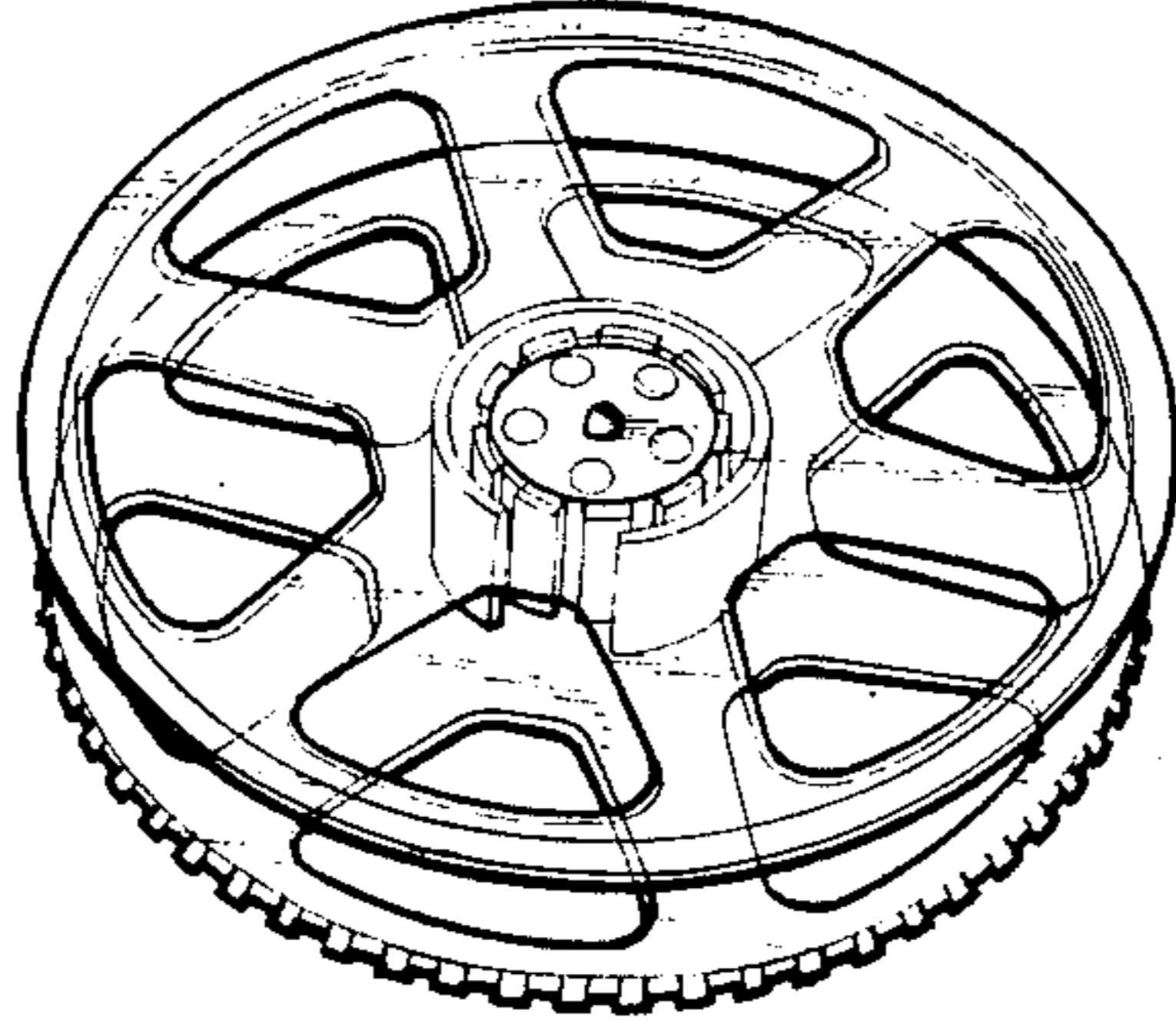


FIG. 2

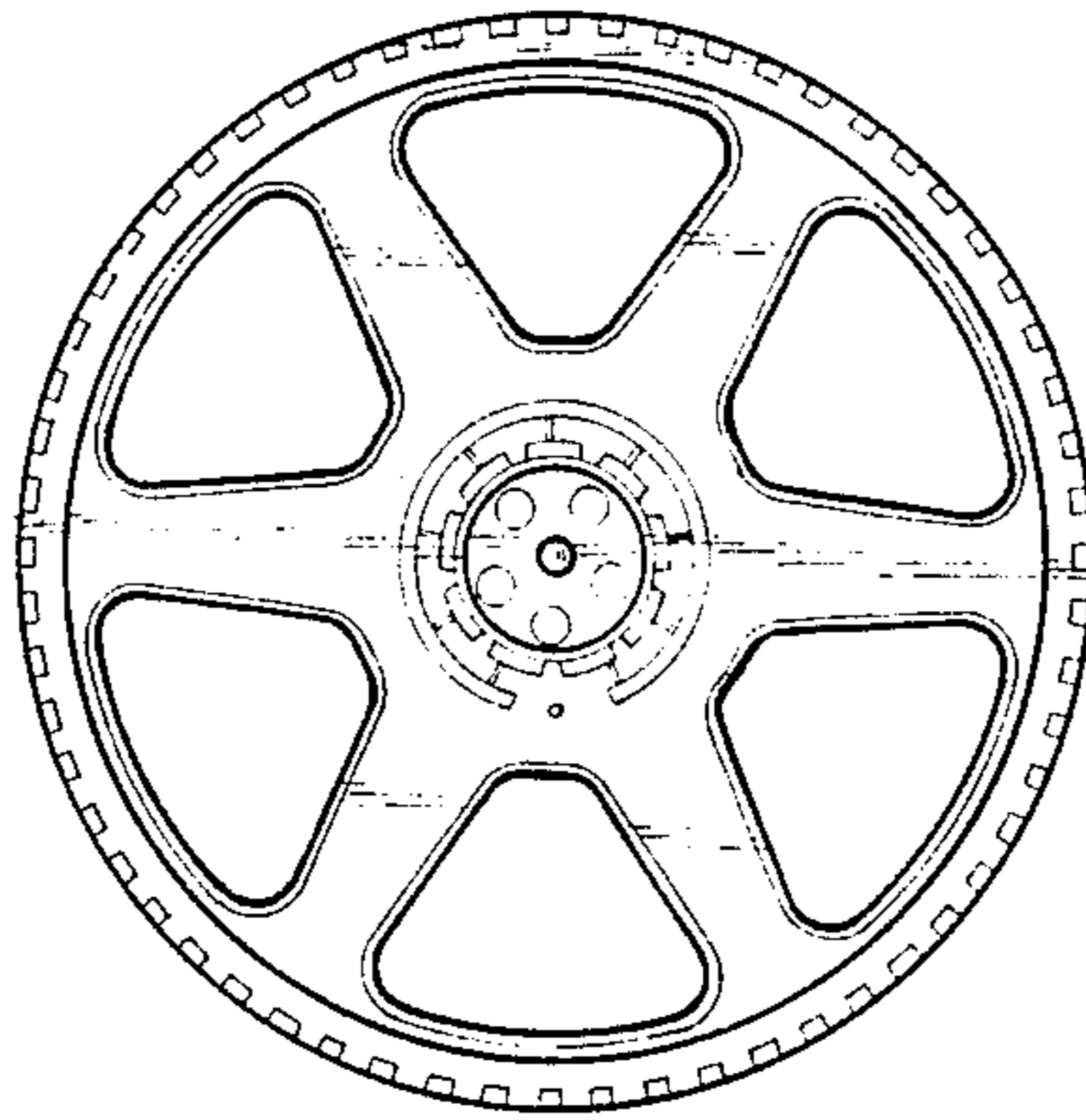


FIG. 3

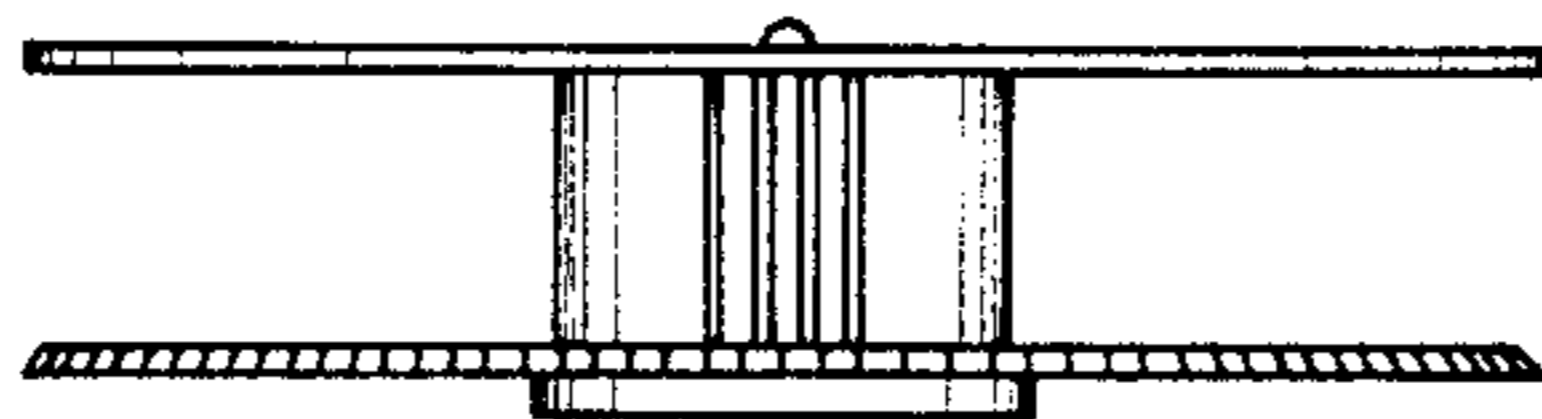


FIG. 4

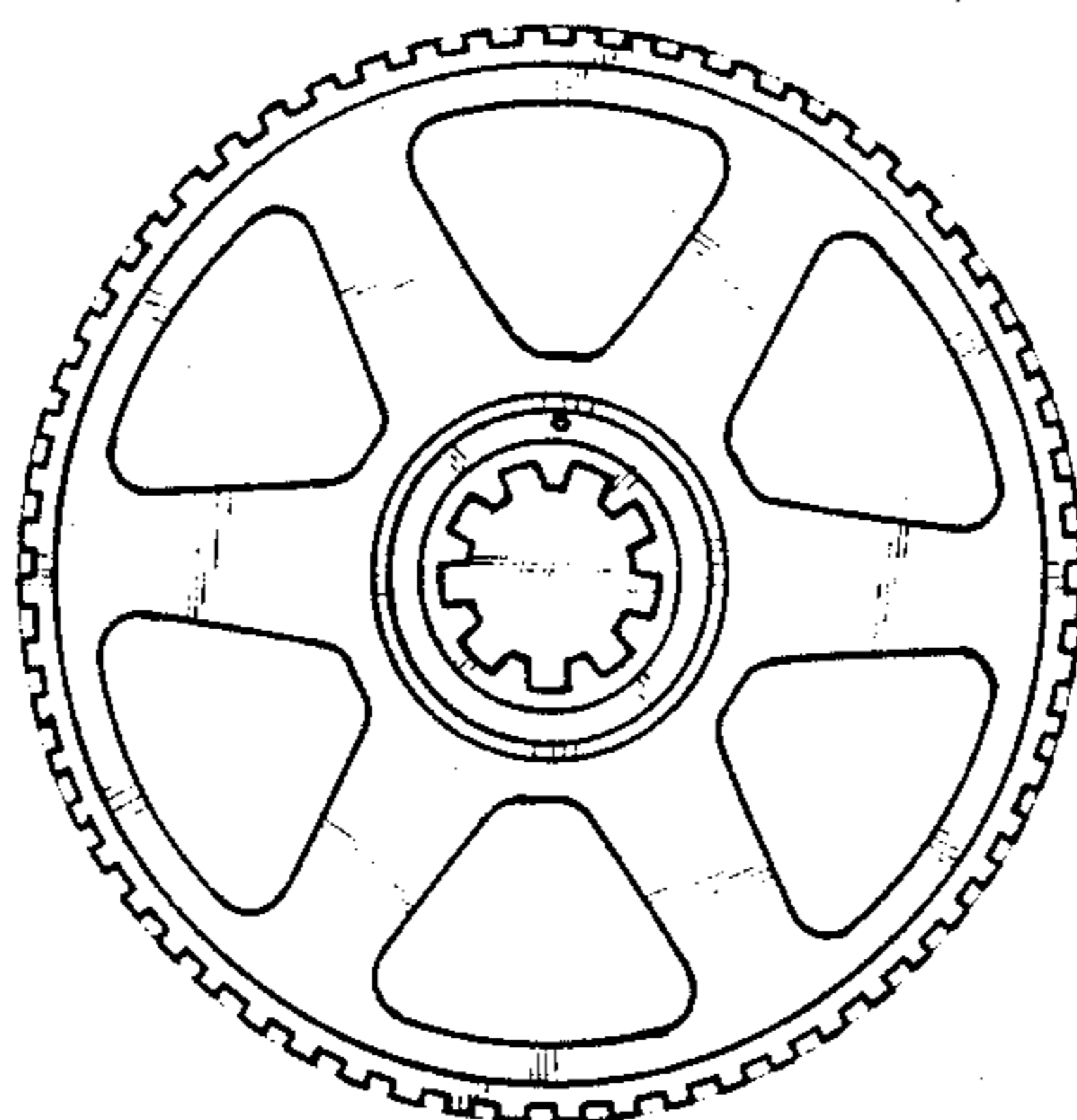


FIG. 5

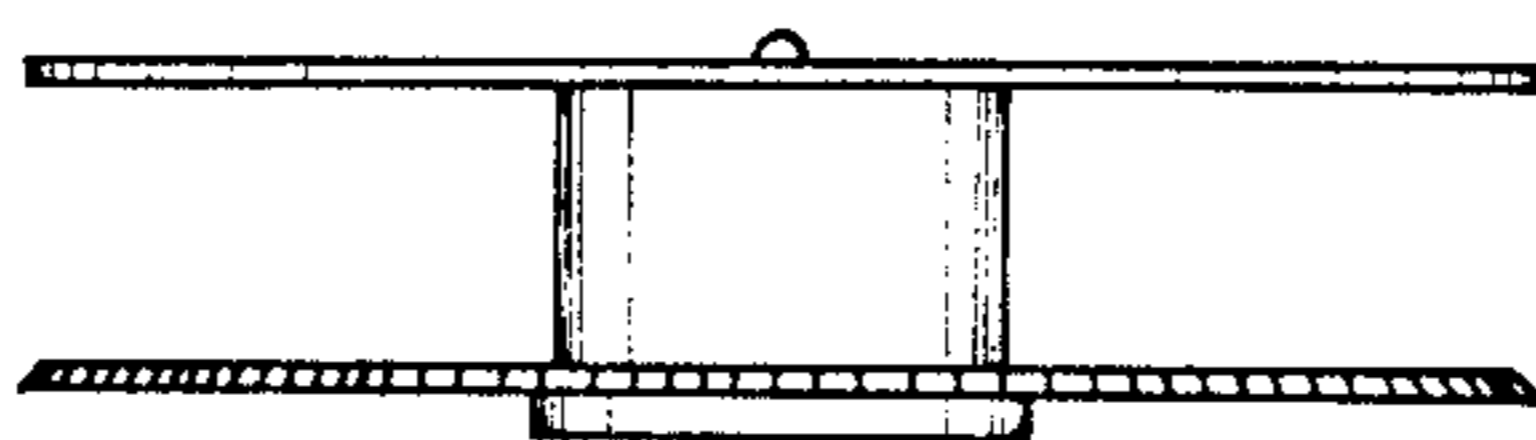


FIG. 6

