

United States Patent [19]

Shiozawa et al.

[11] Patent Number: **Des. 303,955**

[45] Date of Patent: **** Oct. 10, 1989**

[54] **POCKET COMPUTER**

[75] Inventors: **Hajime Shiozawa; Keiichi Koyama,**
both of Osaka, Japan

[73] Assignee: **Sharp Kabushiki Kaisha,** Osaka,
Japan

[**] Term: **14 Years**

[21] Appl. No.: **929,669**

[22] Filed: **Nov. 12, 1986**

[30] **Foreign Application Priority Data**

May 12, 1986 [JP] Japan 6117915

[52] U.S. Cl. **D14/100; D18/7**

[58] **Field of Search** D14/100-117;
D18/1, 2, 6, 7, 11, 12; 340/700, 711; 364/708,
709, 705, 706, 710, 705.06; 235/61 R, 61 A, 62
A, 62 B, 145 R, 146; 200/5 A; 341/22, 23;
312/208, 212, 196, 241, 244, 237, 117; 150/52
R; 190/109; 206/526, 576

[56] **References Cited**

U.S. PATENT DOCUMENTS

D. 258,654 3/1981 Levy D14/100
D. 258,655 3/1981 Levy D14/100

D. 274,798 7/1984 O'Hara et al. D18/2 X
D. 297,949 10/1988 Yubisui et al. D18/7

OTHER PUBLICATIONS

Business Communication Products Division/3M-Nov.
1983, p. 1 (3M Whisper Reader Communications Ter-
minal).

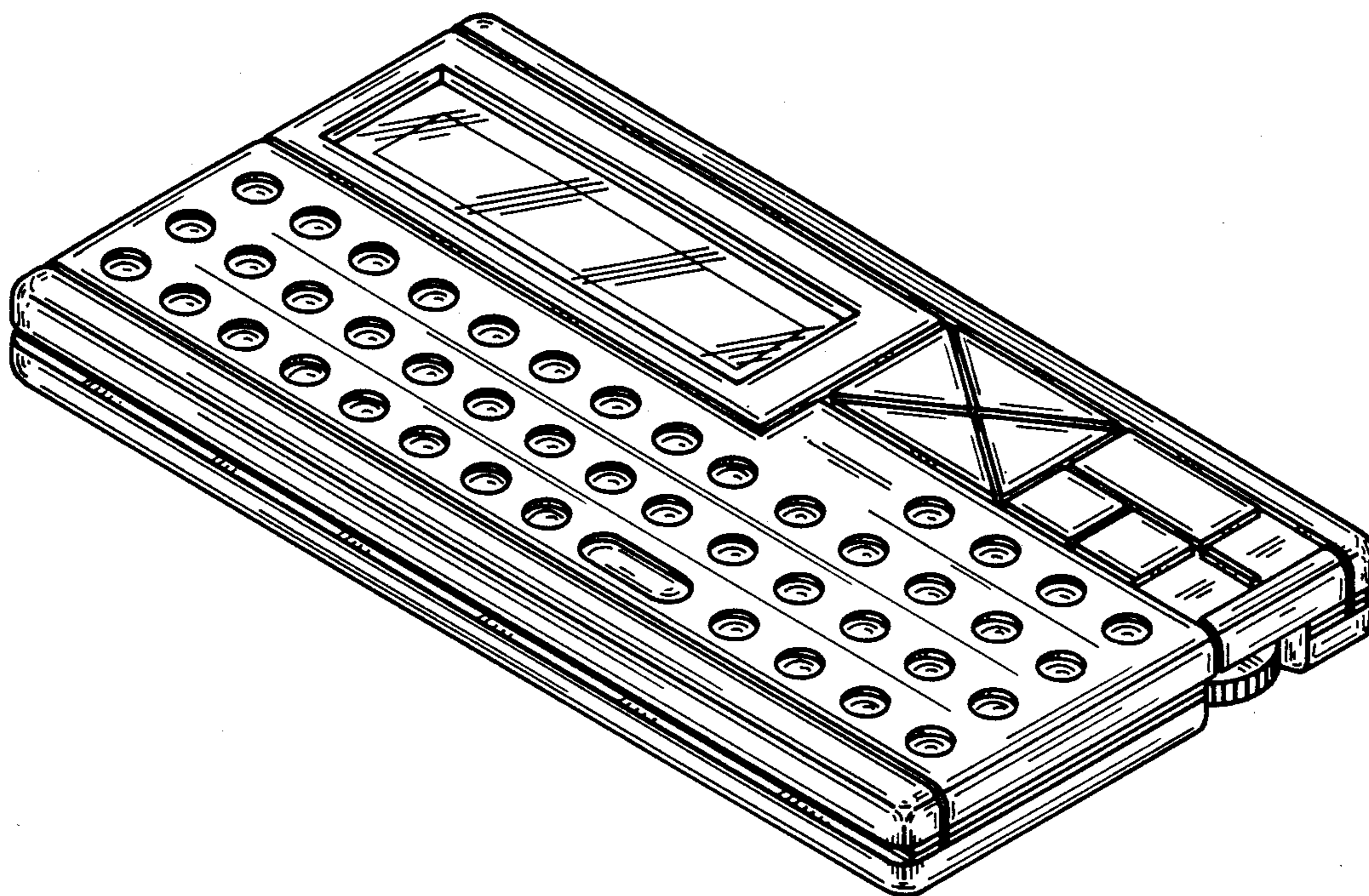
Primary Examiner—Susan J. Lucas
Assistant Examiner—Freda Selma-Nunn
Attorney, Agent, or Firm—Flehr, Hohbach, Test,
Albritton & Herbert

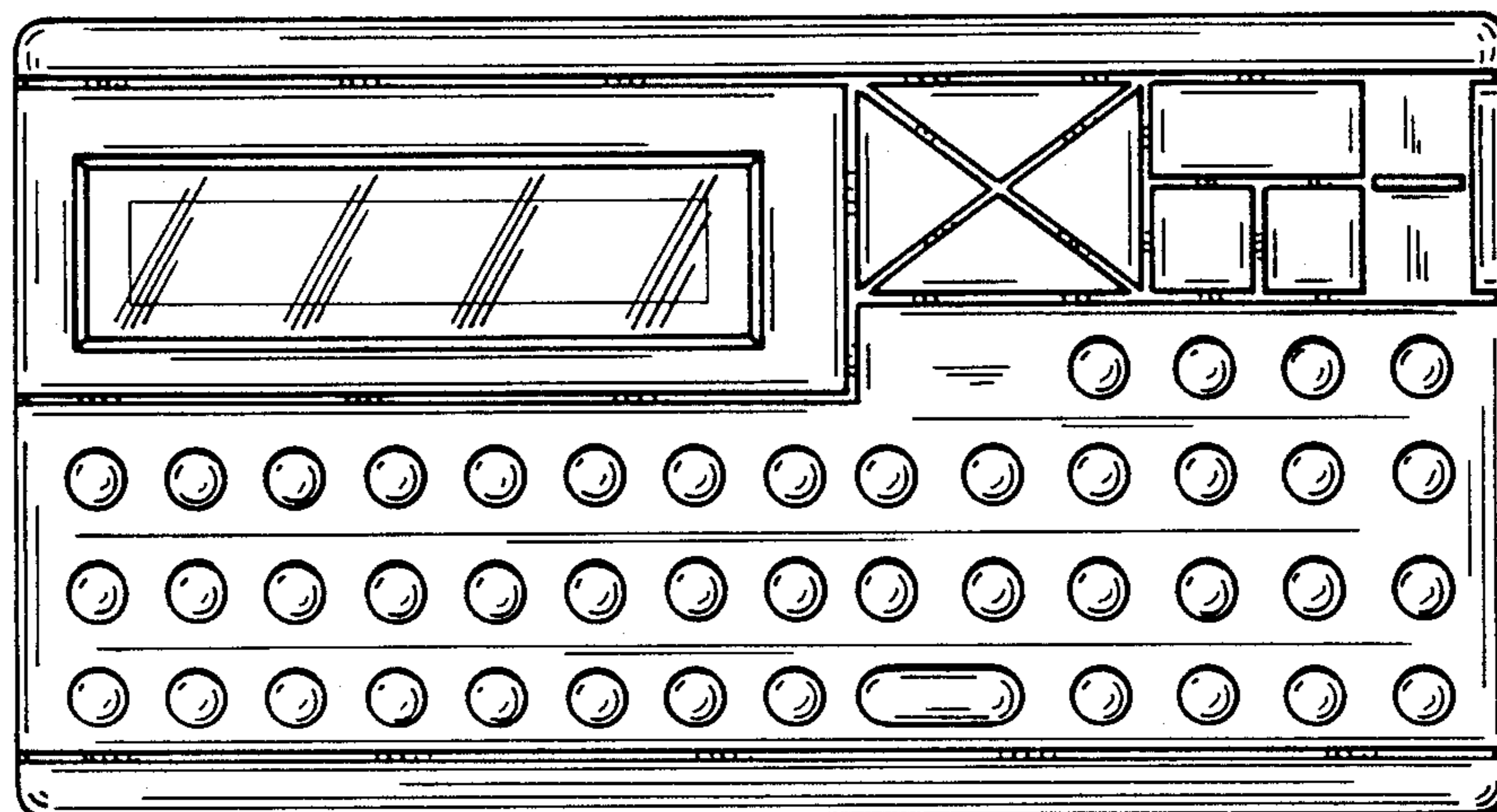
[57] **CLAIM**

The ornamental design for a pocket computer, as shown
and described.

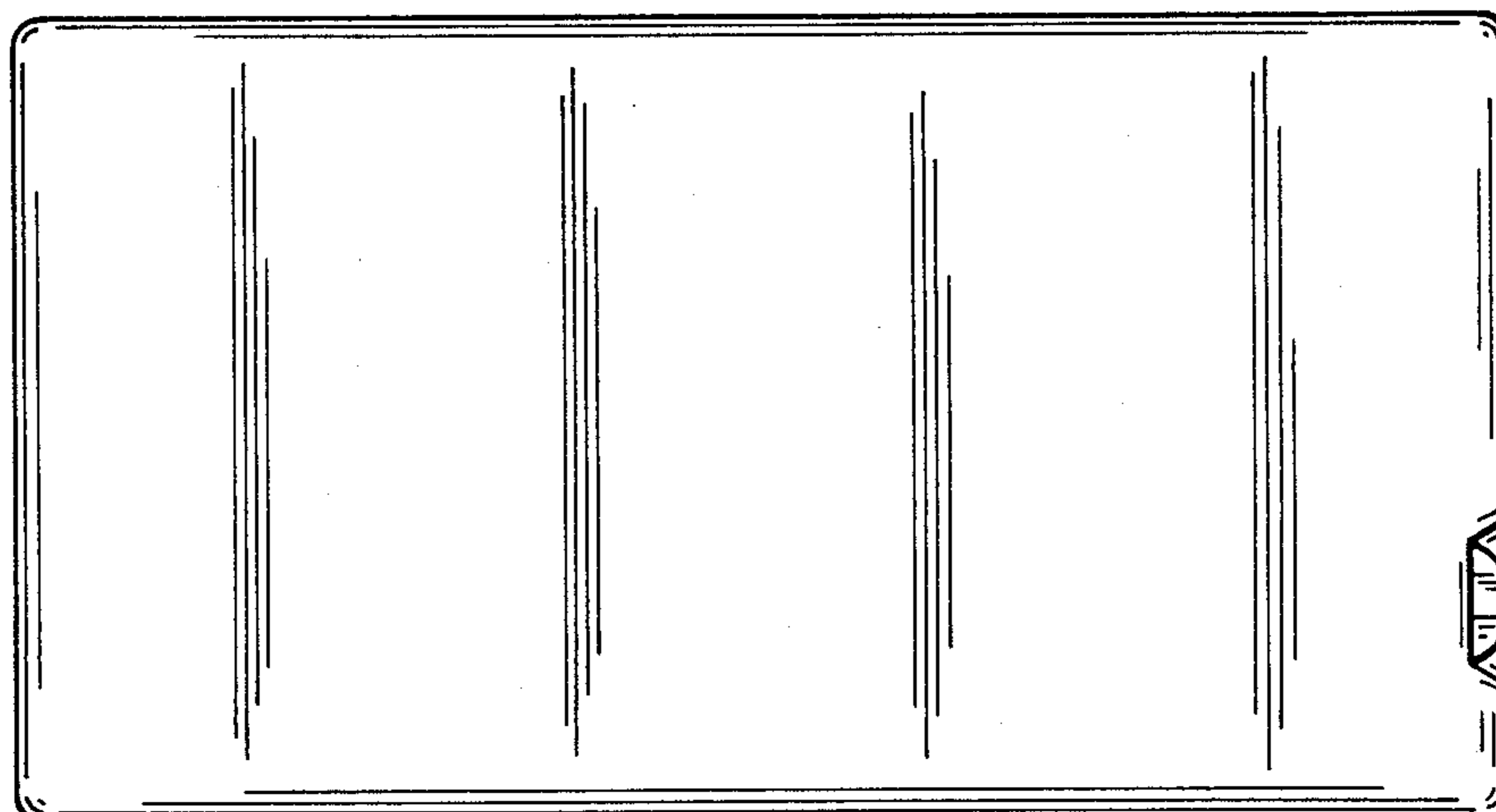
DESCRIPTION

FIG. 1 is a top plan view of the pocket computer show-
ing our new design;
FIG. 2 is a bottom plan view thereof;
FIG. 3 is a front elevational view, the rear elevational
view being a mirror image thereof;
FIG. 4 is a right side elevational view thereof;
FIG. 5 is a left side elevational view thereof; and
FIG. 6 is a top, front, right side perspective view on an
enlarged scale.

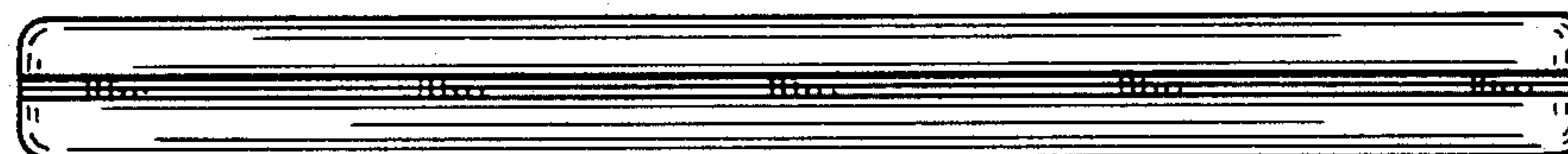




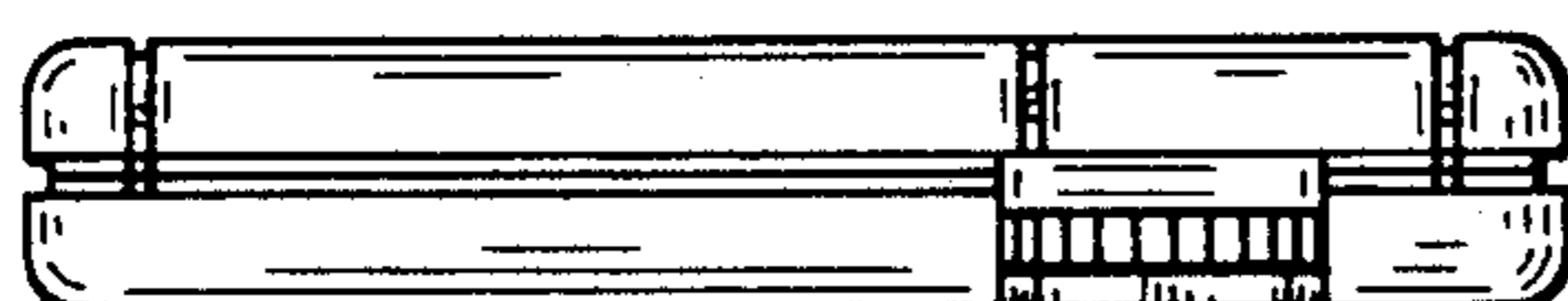
FIG_1



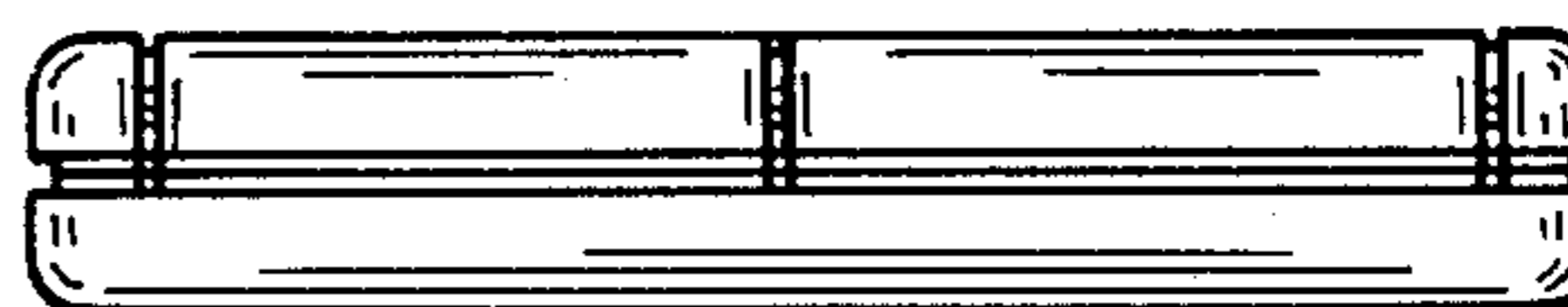
FIG_2



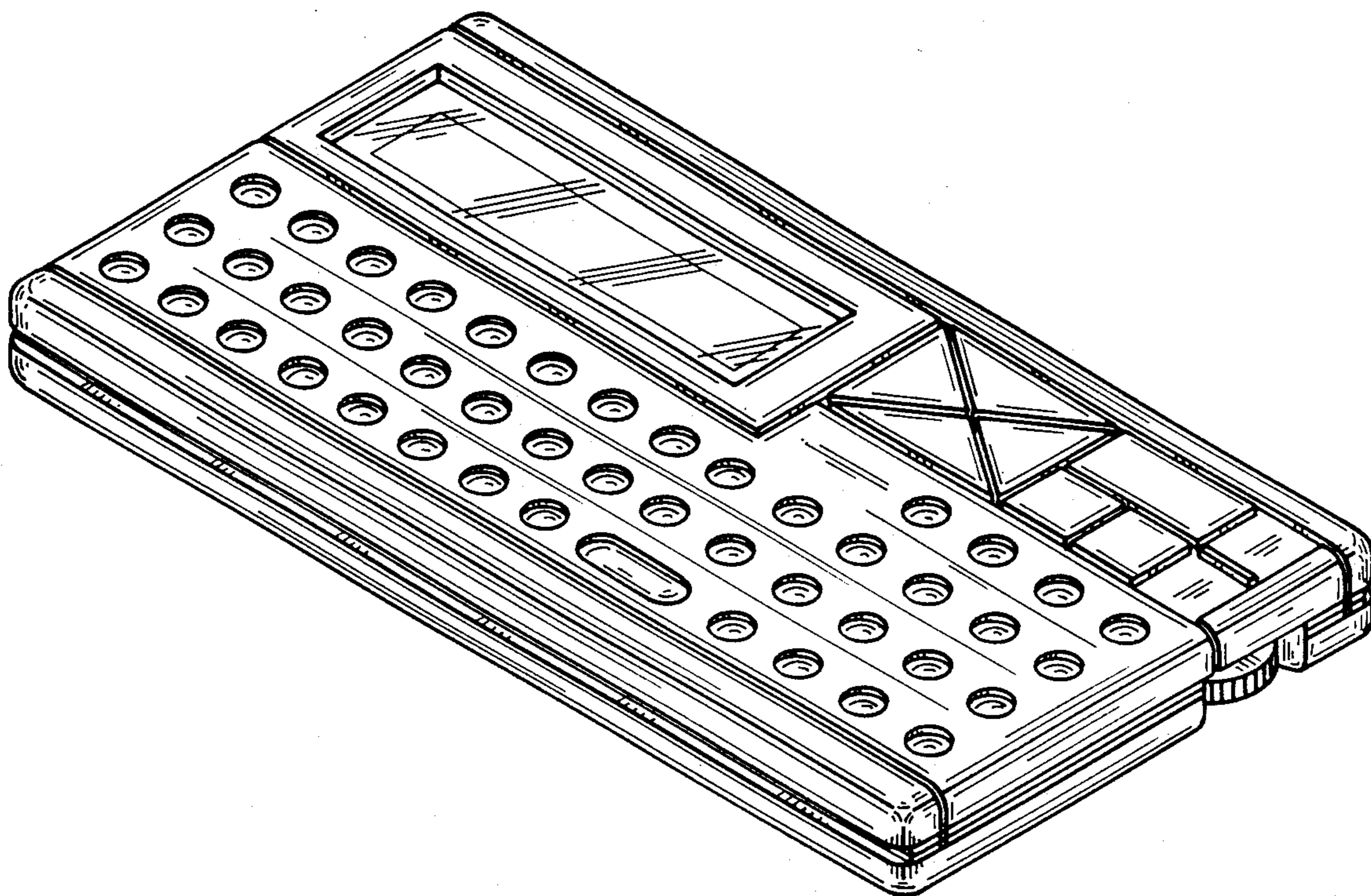
FIG_3



FIG_4



FIG_5



FIG_6