

[54] **CHEF'S HAT BOTTLE CAP**

[76] **Inventor: Norbert Pasillas, 7251 Comstock Ave. #F, Whittier, Calif. 90605**

[**] **Term: 14 Years**

[21] **Appl. No.: 862,895**

[22] **Filed: May 13, 1986**

[52] **U.S. Cl. D9/451; D9/452; D9/454**

[58] **Field of Search D8/310, 312; D9/451, D9/310, 307, 320, 319, 452, 454; D21/189; 220/376, DIG. 13, 256, 352**

[56] **References Cited**

U.S. PATENT DOCUMENTS

- D. 157,262 2/1950 Jung D9/451
- D. 170,971 12/1953 Delmas D9/451
- D. 193,223 7/1962 Thompson D9/451
- D. 233,642 11/1974 Arnold D9/320

OTHER PUBLICATIONS

Armstrong's Molded Metal and Cork Closures Catalog, 1948 p. 14, Artmold Caps, top hat cap.

Primary Examiner—B. J. Bullock
Assistant Examiner—Dominic Simone

[57] **CLAIM**

The ornamental design for the chef's hat bottle cap, as shown and described.

DESCRIPTION

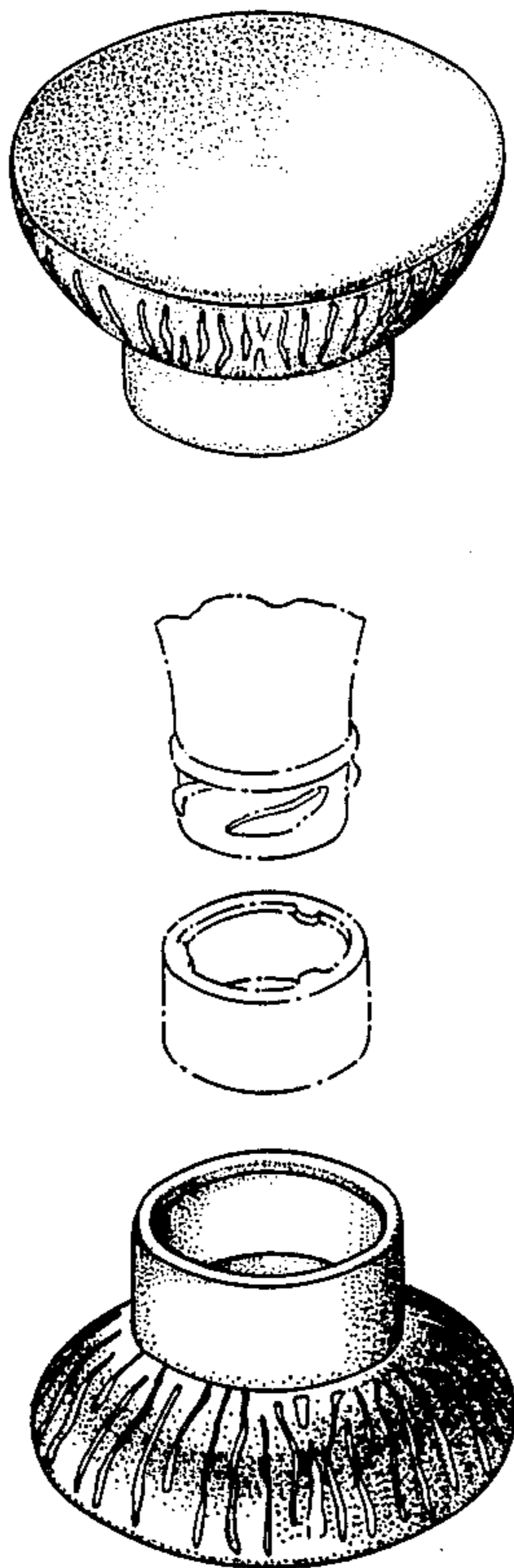
FIG. 1 is a perspective view of the chef's hat bottle cap showing my new design;

FIG. 2 is an exploded view thereof, the bottle top and neck shown in broken lines for illustrative purposes only;

FIG. 3 is a side elevation thereof;

FIG. 4 is a top plan view thereof;

FIG. 5 is a bottom plan thereof.



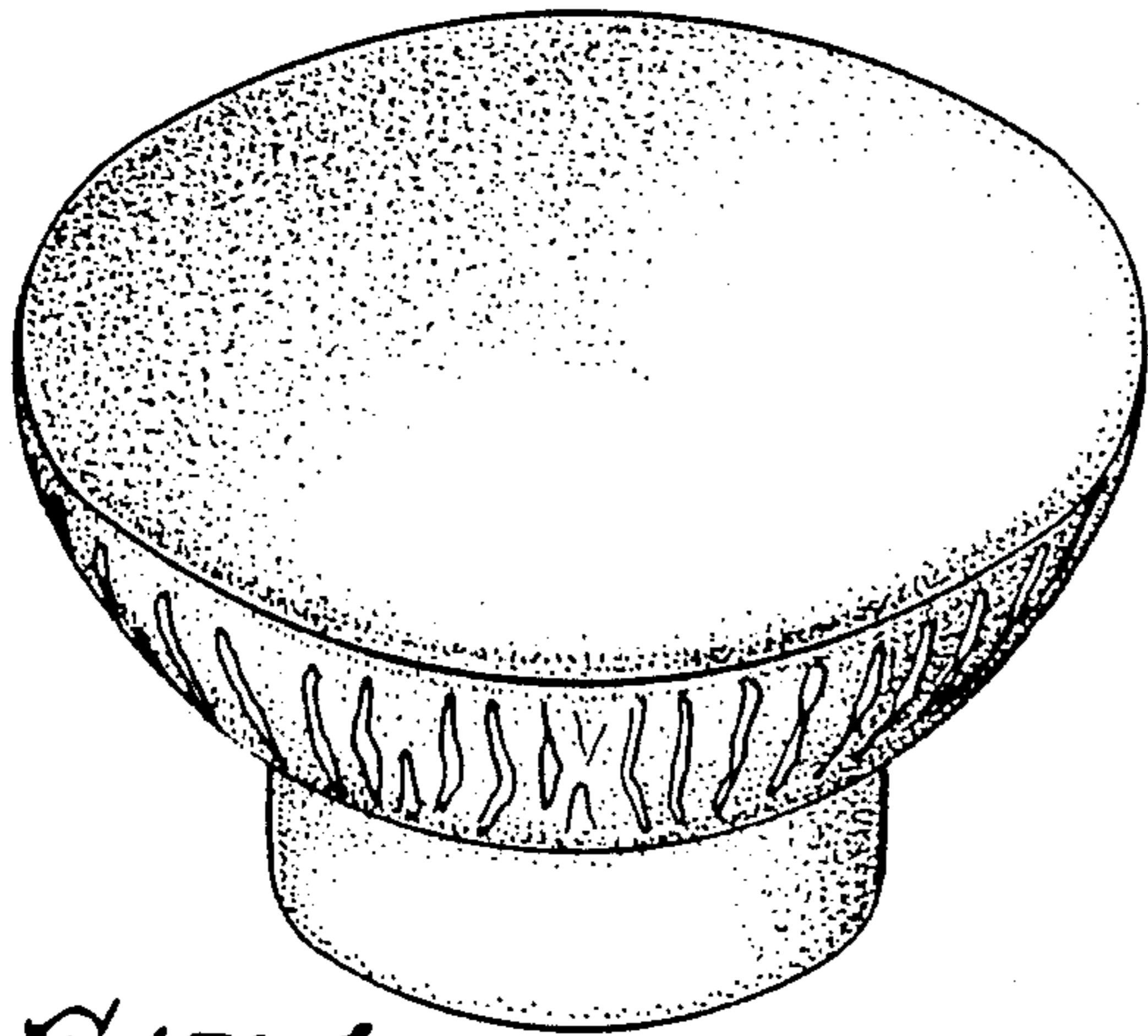


FIG. 1.

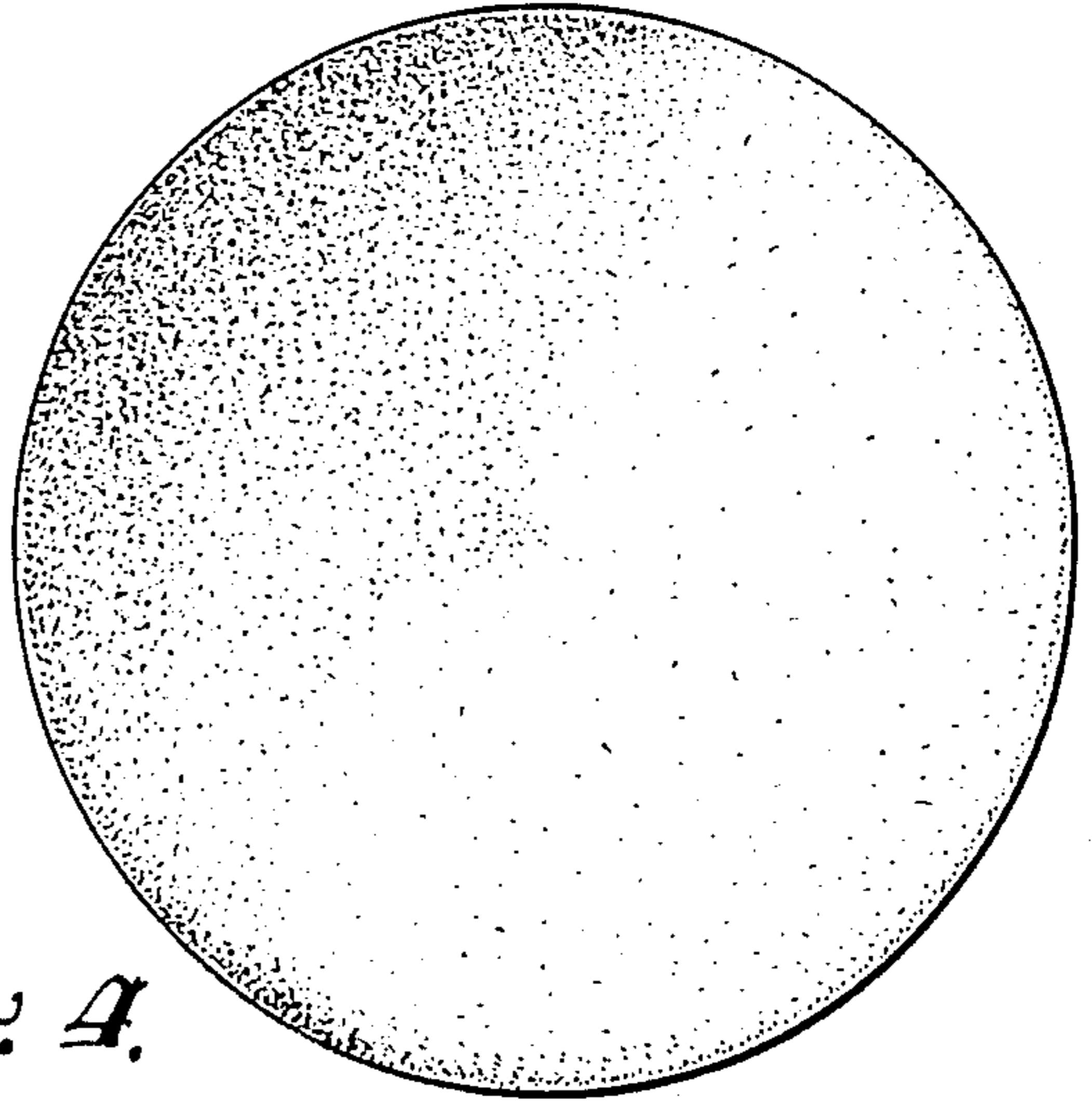


FIG. 4.

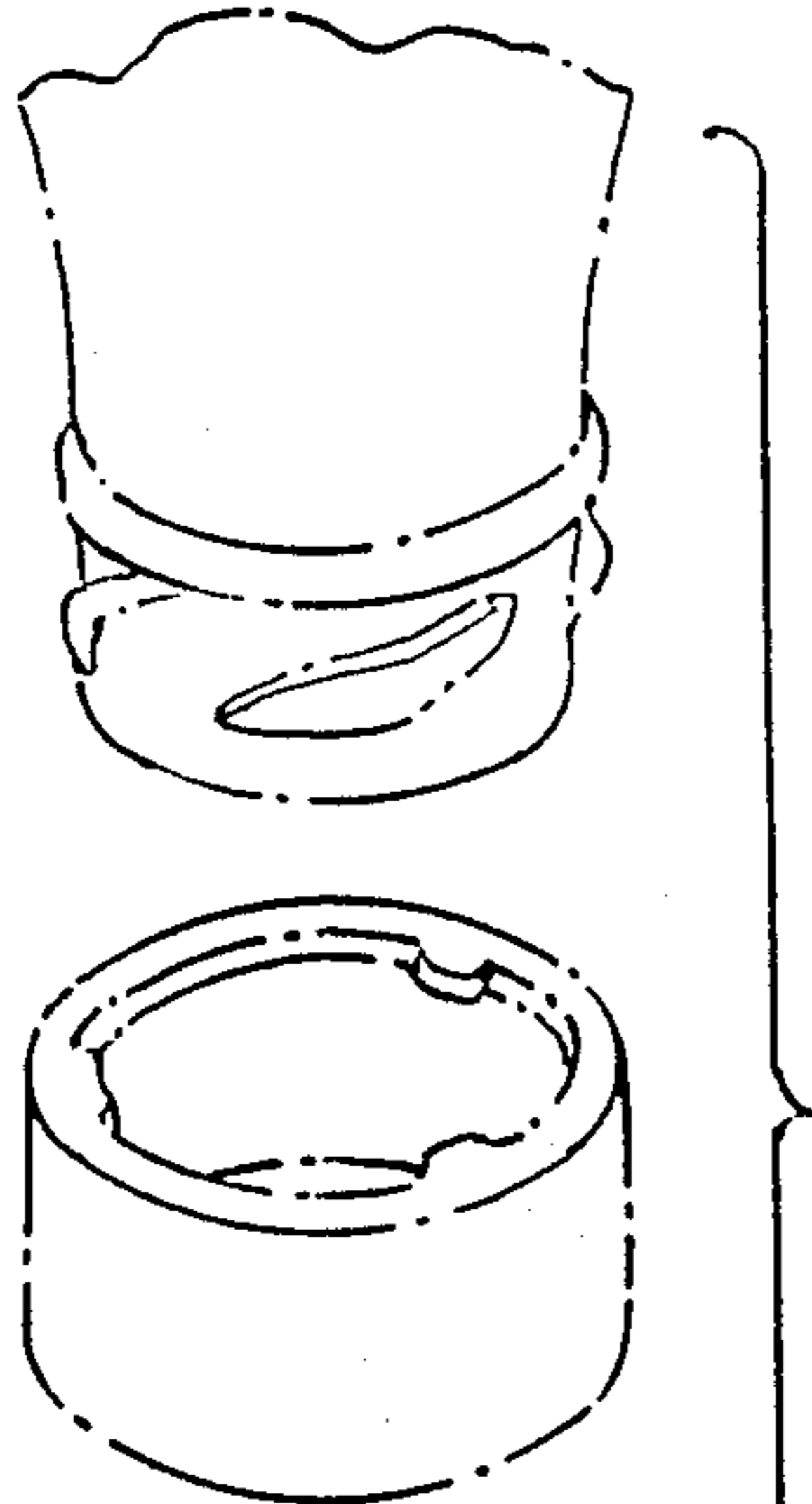


FIG. 2.

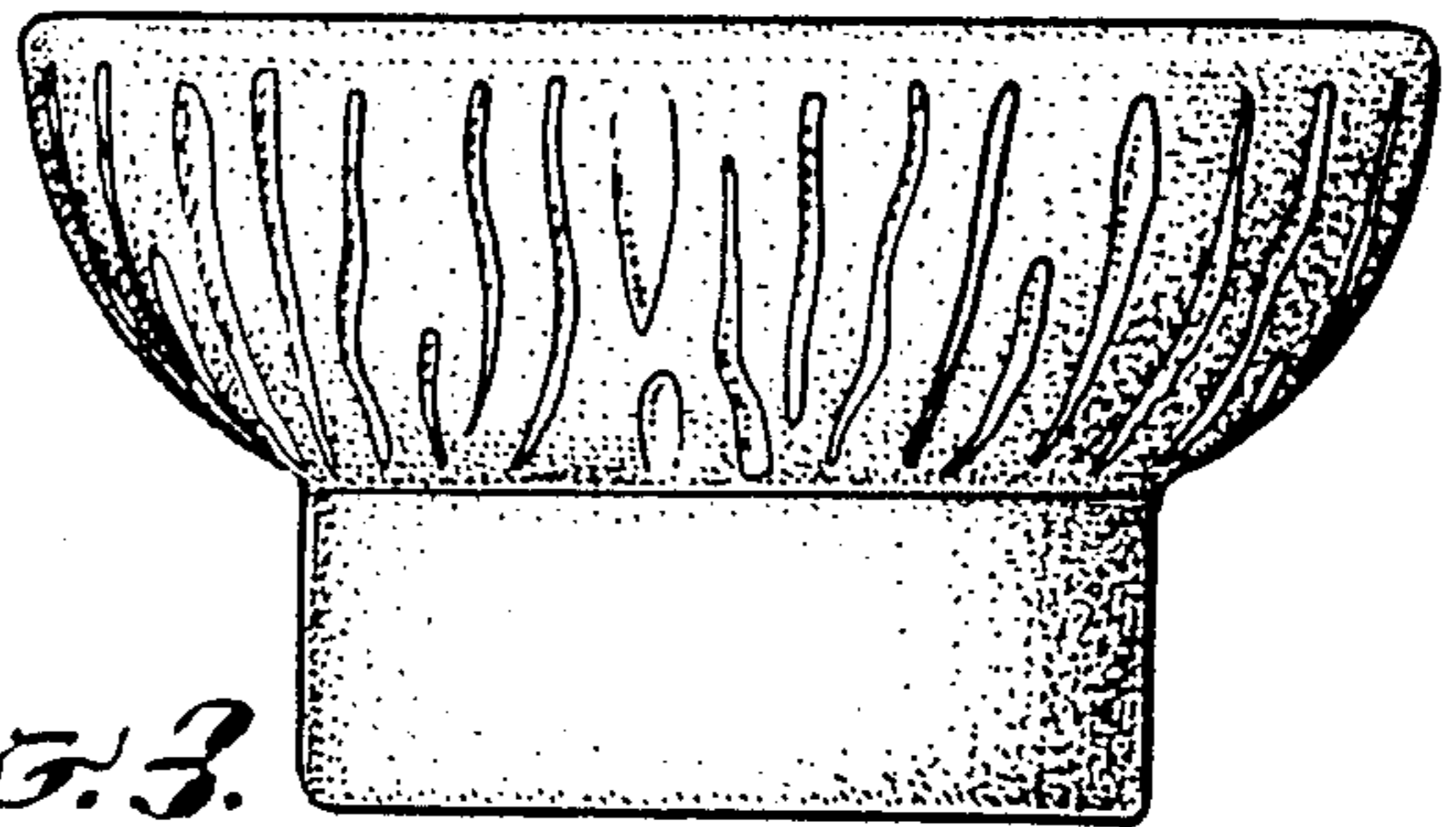


FIG. 3.

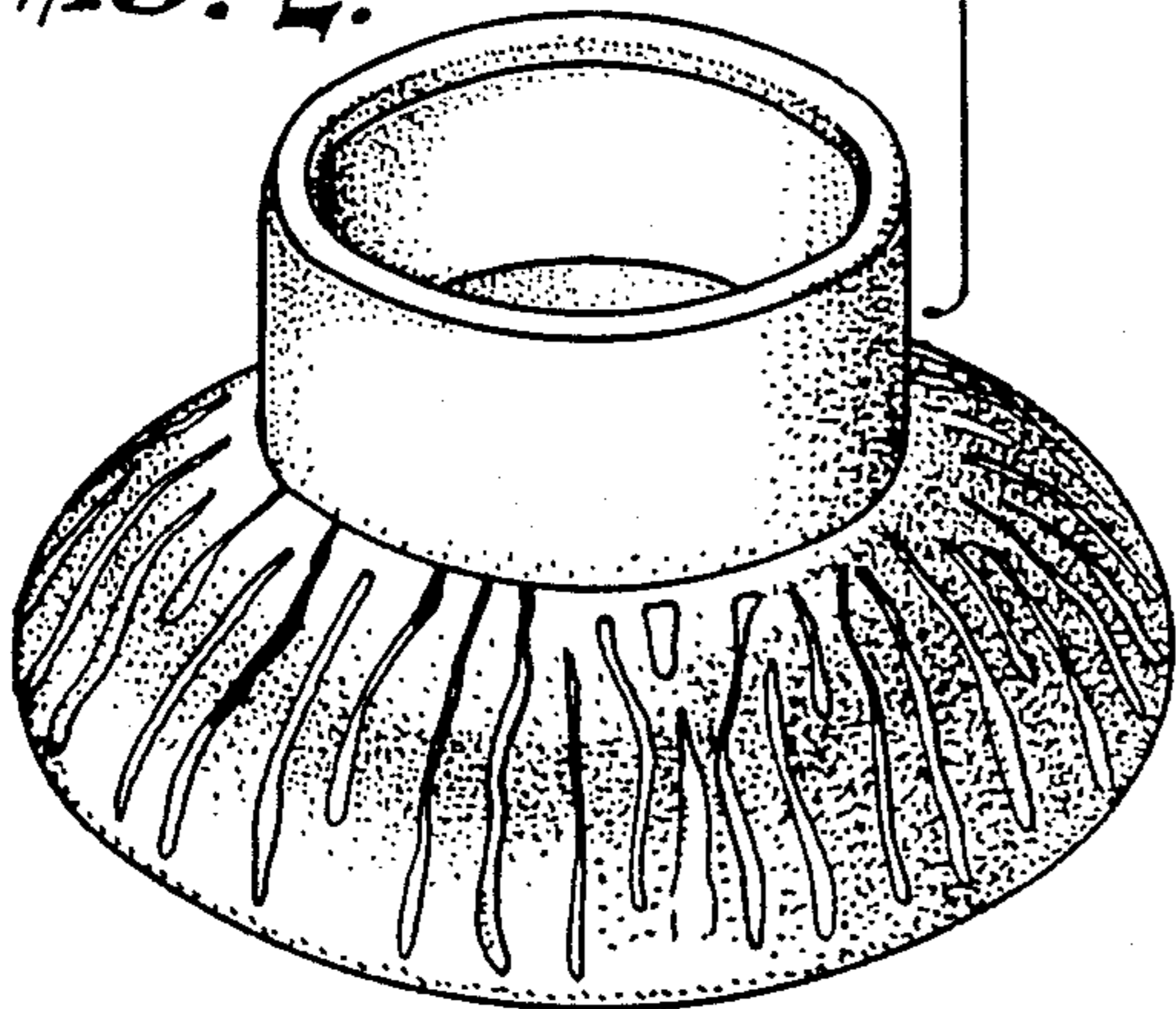


FIG. 5.

