

[54] BOTTLE

[75] Inventor: Juris M. Mednis, Howell, N.J.

[73] Assignee: Universal Symetrics Corporation, Howell, N.J.

[**] Term: 14 Years

[21] Appl. No.: 847,837

[22] Filed: Apr. 3, 1986

[52] U.S. Cl. D9/375; D9/372; D9/403

[58] Field of Search D9/341, 347, 367, 370, D9/372, 373, 374, 375, 376, 389, 403-413; 215/1 R, 1 C, 10; 206/503, 504, 508, 509, 510; 220/23.4, 23.6, 23.83, 23.86, DIG. 13; 222/143; 446/124; D21/108

[56] References Cited

U.S. PATENT DOCUMENTS

D. 282,244	1/1986	Santoiemmo	D9/367
D. 282,528	2/1986	Steiner	D9/403
D. 288,175	2/1987	Mednis	D9/375
3,391,824	7/1968	Wiseman	206/504
4,640,423	2/1987	Mednis	206/509

FOREIGN PATENT DOCUMENTS

658699	3/1963	Canada	215/10
808333	7/1951	Fed. Rep. of Germany	446/124

Primary Examiner—Melvin B. Feifer
Assistant Examiner—Lucy Lieberman
Attorney, Agent, or Firm—Notaro & Michalos

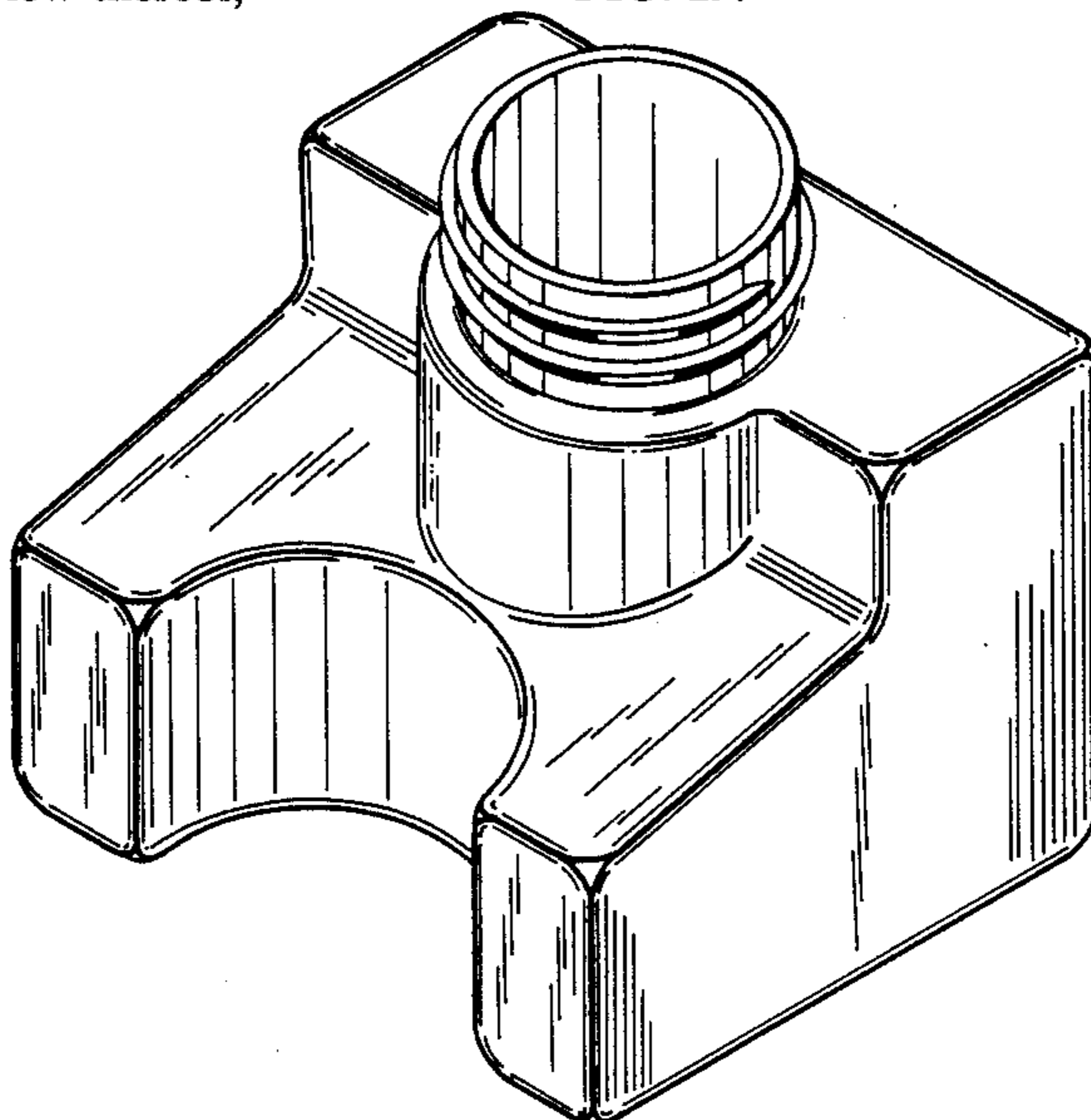
[57] CLAIM

The ornamental design for a bottle, as shown and described.

DESCRIPTION

FIG. 1 is a front elevation view of a bottle embodying my new design;
FIG. 2 is a top view thereof;
FIG. 3 is a rear elevation view thereof;
FIG. 4 is a bottom view thereof;
FIG. 5 is a side elevation view thereof;
FIG. 6 is a side elevation view of the side opposite that shown in FIG. 5;
FIG. 7 is a front perspective view thereof;

FIG. 8 is a front elevation view of a bottle embodying a second embodiment of my design;
FIG. 9 is a top view of the embodiment of FIG. 8;
FIG. 10 is a rear elevation view of the embodiment of FIG. 8;
FIG. 11 is a bottom view of the embodiment of FIG. 8;
FIG. 12 is a side elevation view of the embodiment of FIG. 8;
FIG. 13 is a side elevation view of the side opposite that shown in FIG. 12;
FIG. 14 is a front perspective view of the embodiment of FIG. 8;
FIG. 15 is a front elevation view of a bottle embodying a third embodiment of my design;
FIG. 16 is a top view of the embodiment of FIG. 15;
FIG. 17 is a rear elevation view of the embodiment of FIG. 15;
FIG. 18 is a bottom view of the embodiment of FIG. 15;
FIG. 19 is a side elevation view of the embodiment of FIG. 15;
FIG. 20 is a side elevation view of the side opposite that shown in FIG. 19;
FIG. 21 is a front perspective view of the embodiment of FIG. 15;
FIG. 22 is a front elevation view of a bottle embodying a fourth embodiment of my design;
FIG. 23 is a top view of the embodiment of FIG. 22;
FIG. 24 is a rear elevation view of the embodiment of FIG. 22;
FIG. 25 is a bottom view of the embodiment of FIG. 22;
FIG. 26 is a side elevation view of the embodiment of FIG. 22;
FIG. 27 is a side elevation view of the side opposite that shown in FIG. 26;
FIG. 28 is a front perspective view of the embodiment of FIG. 22;
FIG. 29 is a front elevation view of a bottle embodying a fifth embodiment of my design;
FIG. 30 is a top view of the embodiment of FIG. 29;
FIG. 31 is a rear elevation view of the embodiment of FIG. 29;
FIG. 32 is a bottom view of the embodiment of FIG. 29;
FIG. 33 is a side elevation view of the embodiment of FIG. 29;
FIG. 34 is a side elevation view of the side opposite that shown in FIG. 33; and
FIG. 35 is a front elevation view of the embodiment of FIG. 29.



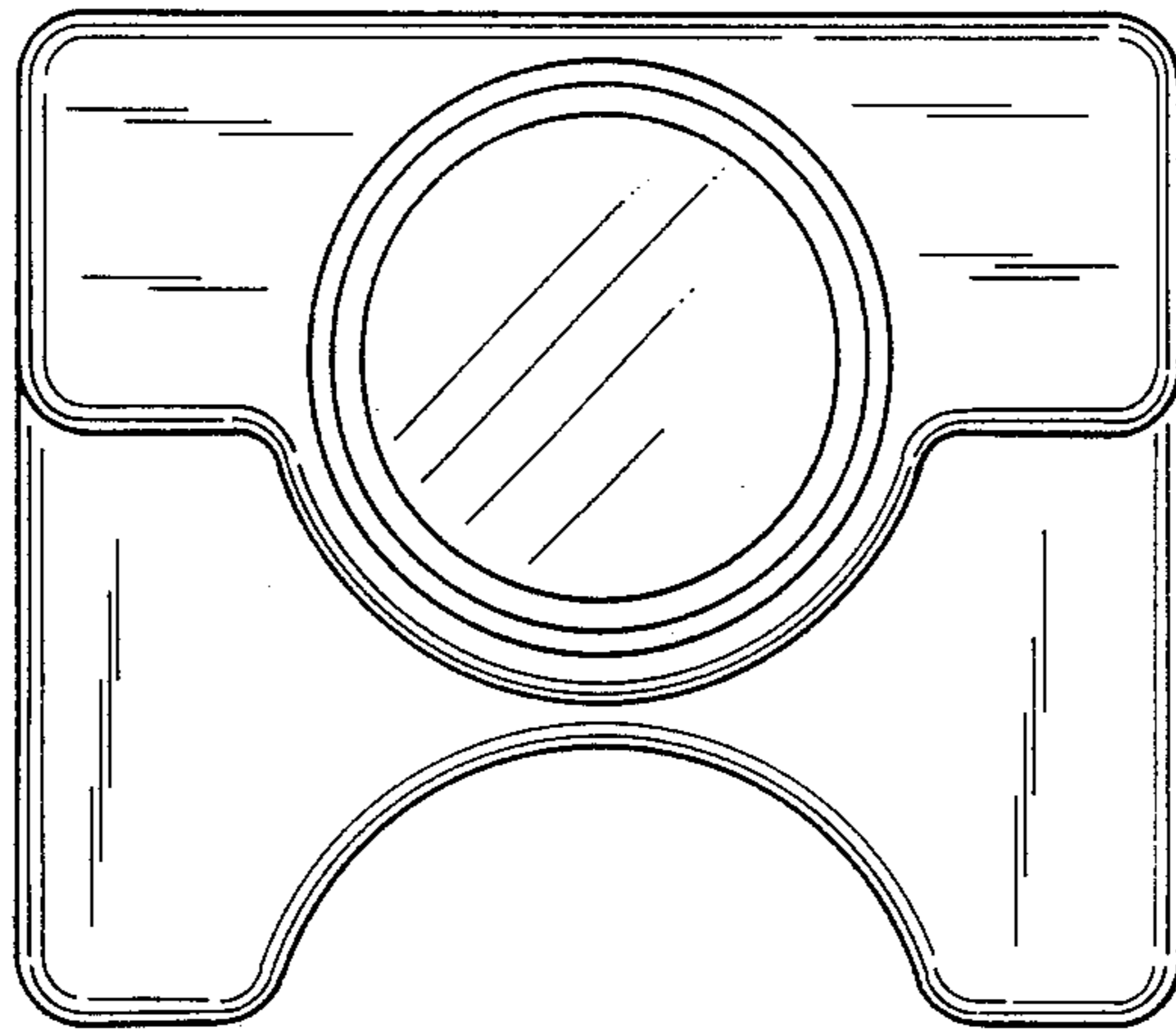


FIG. 2

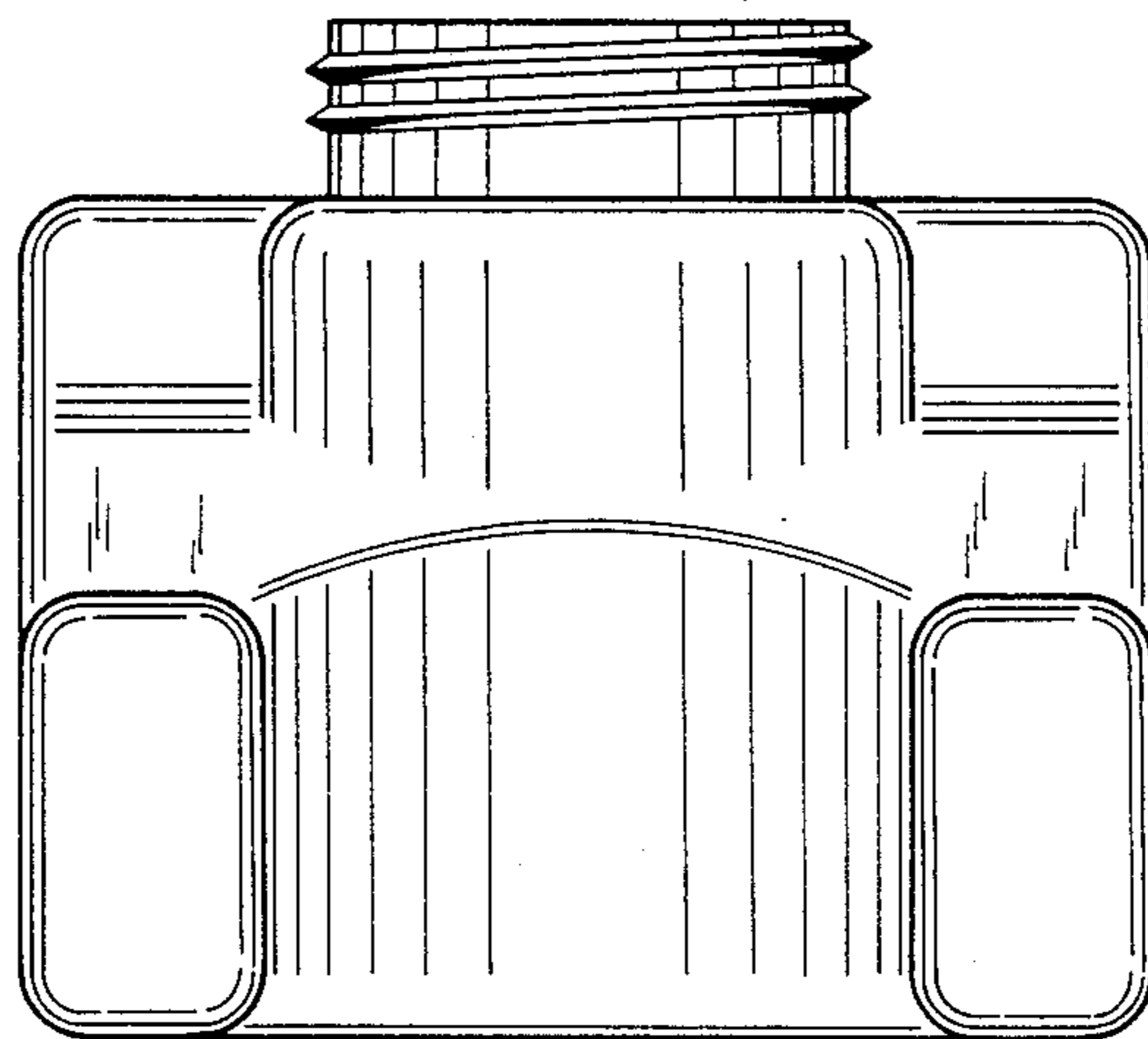


FIG. 1

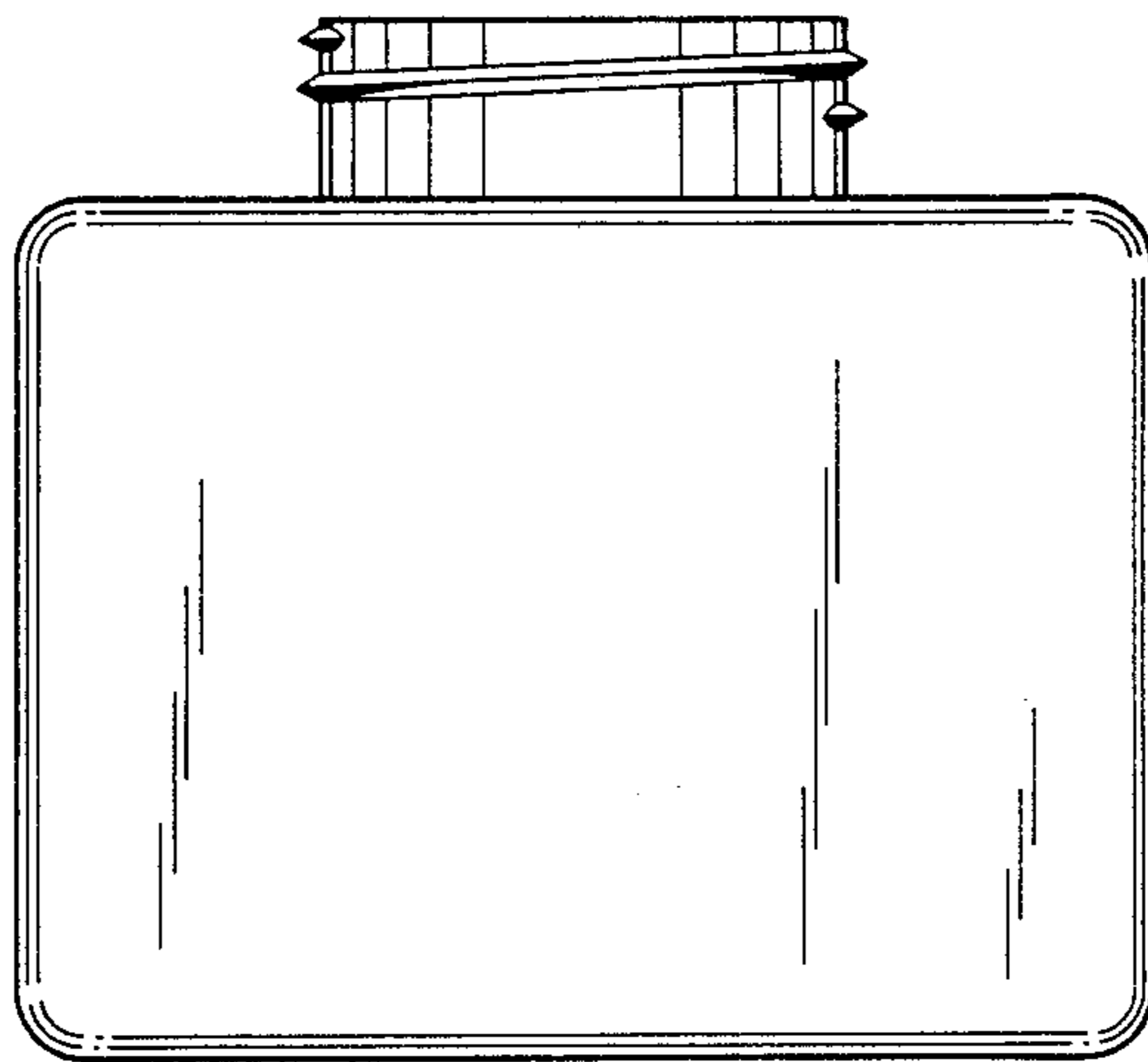


FIG. 3

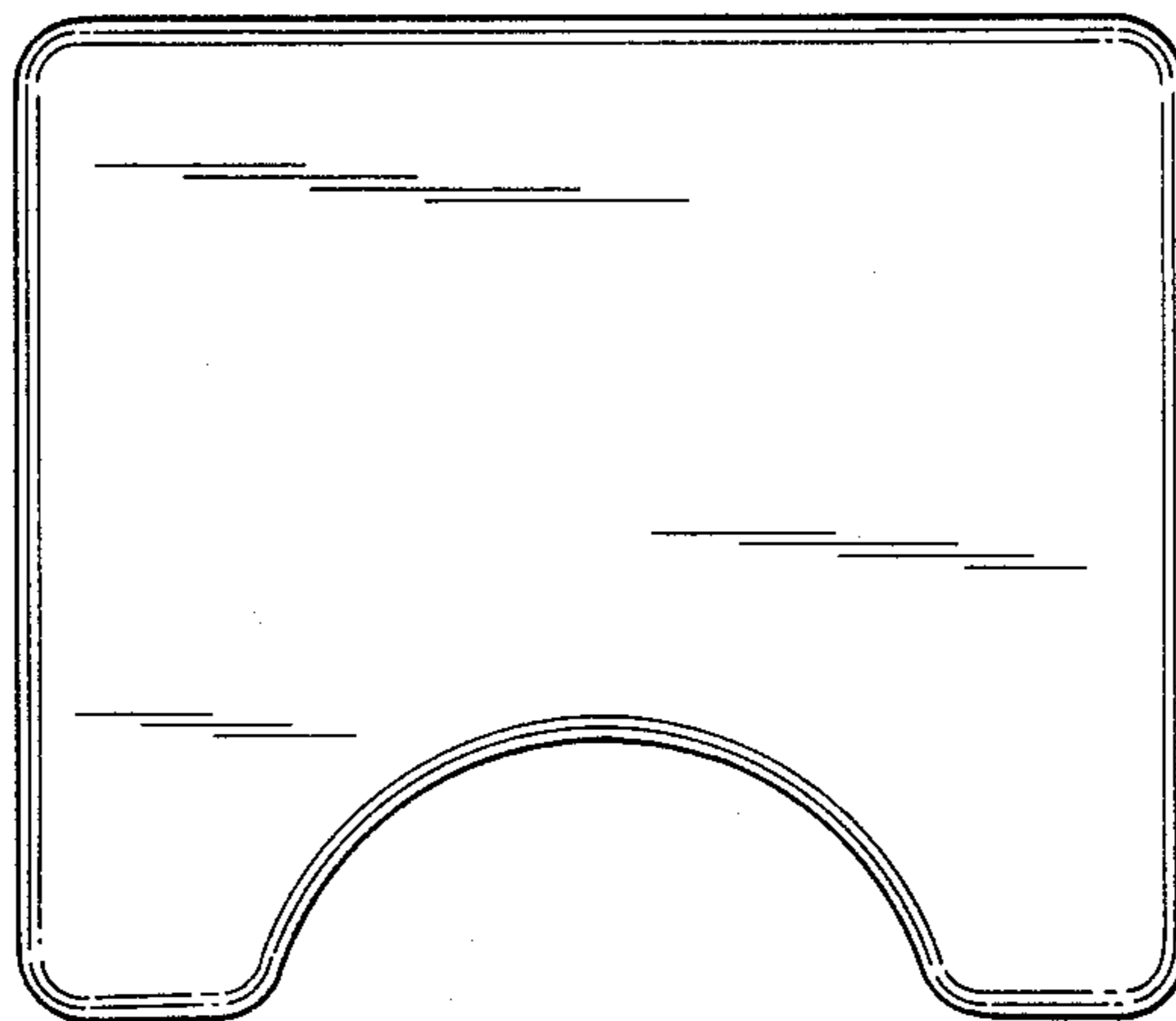


FIG. 4

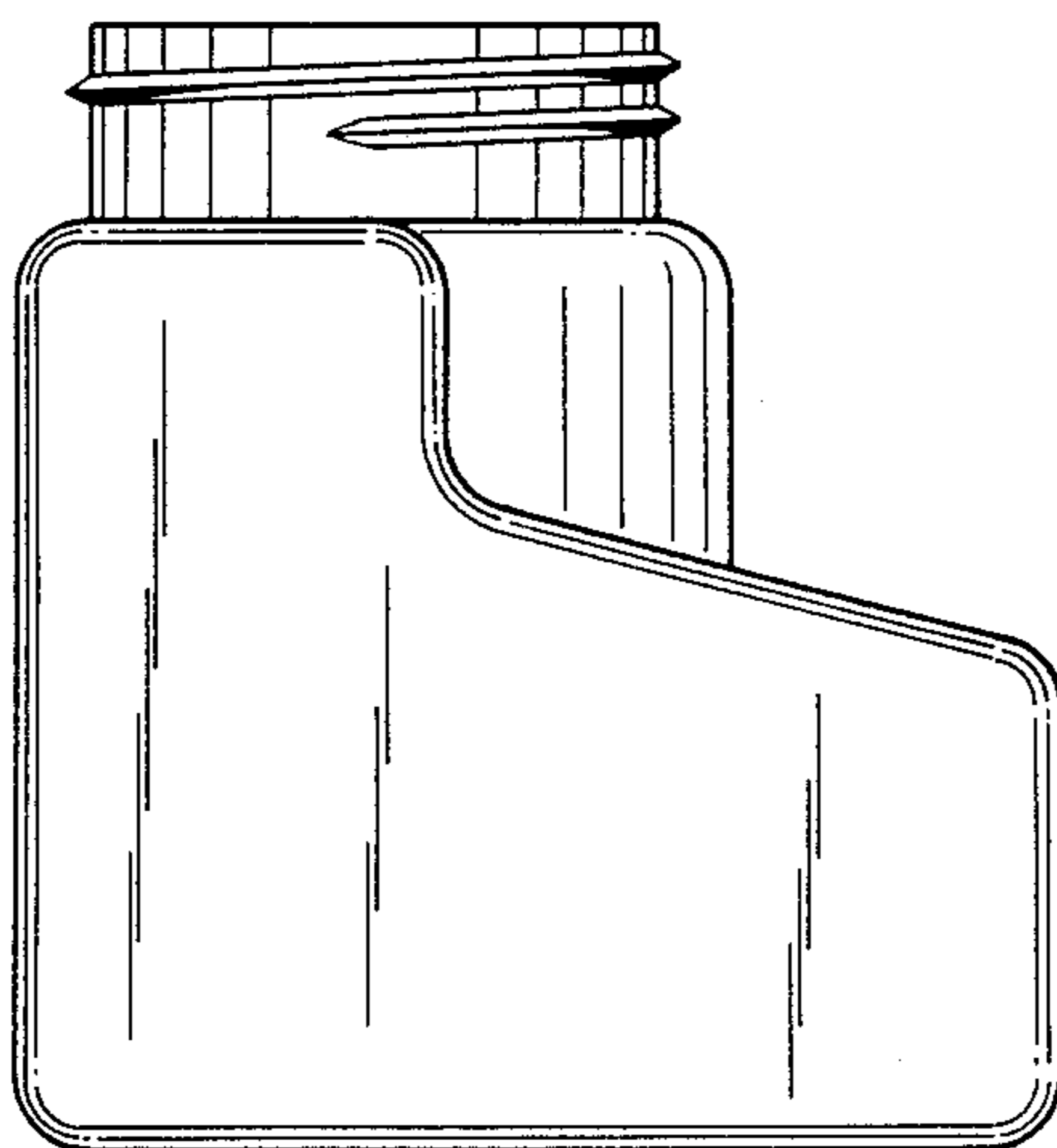


FIG. 5

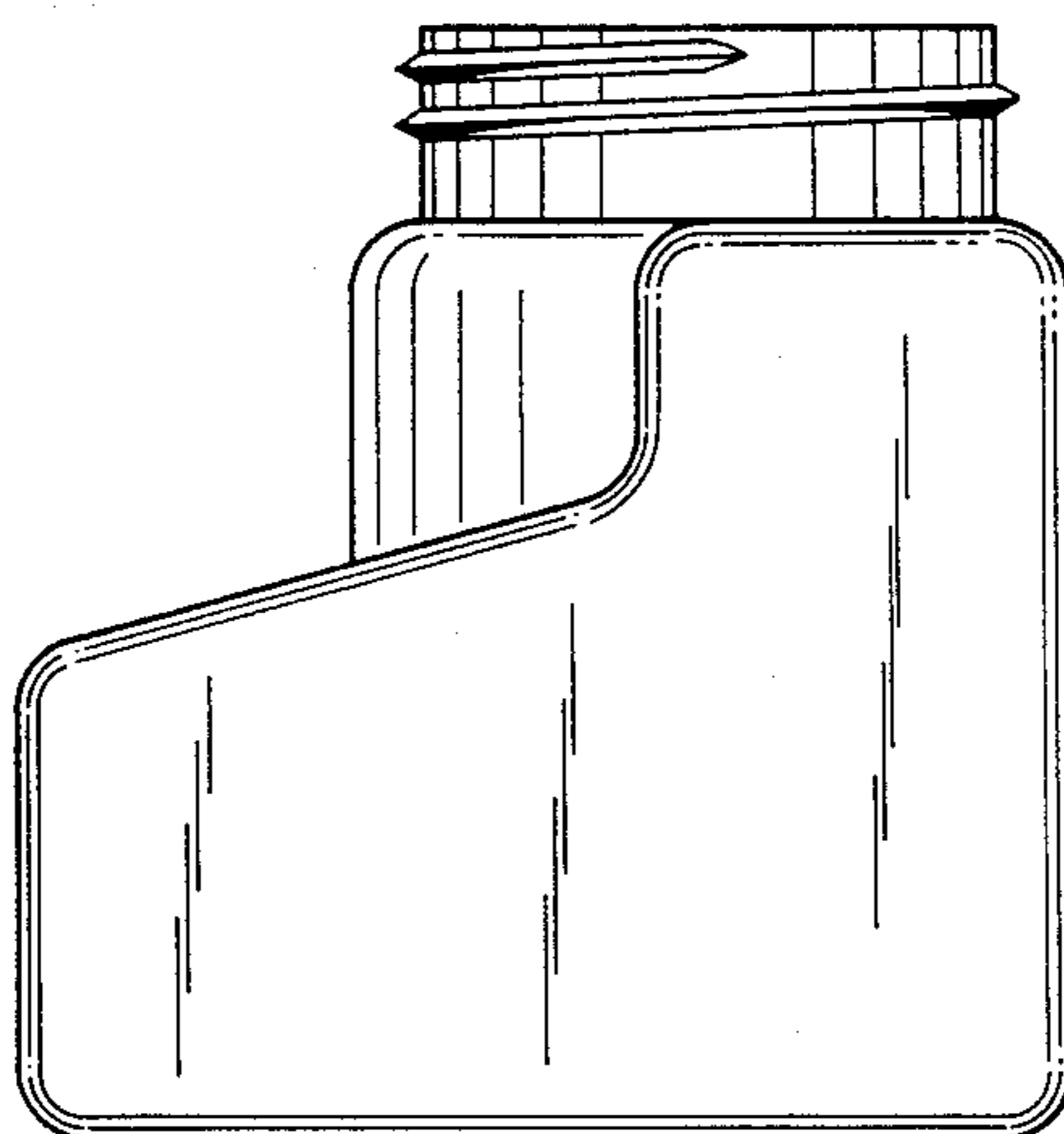


FIG. 6

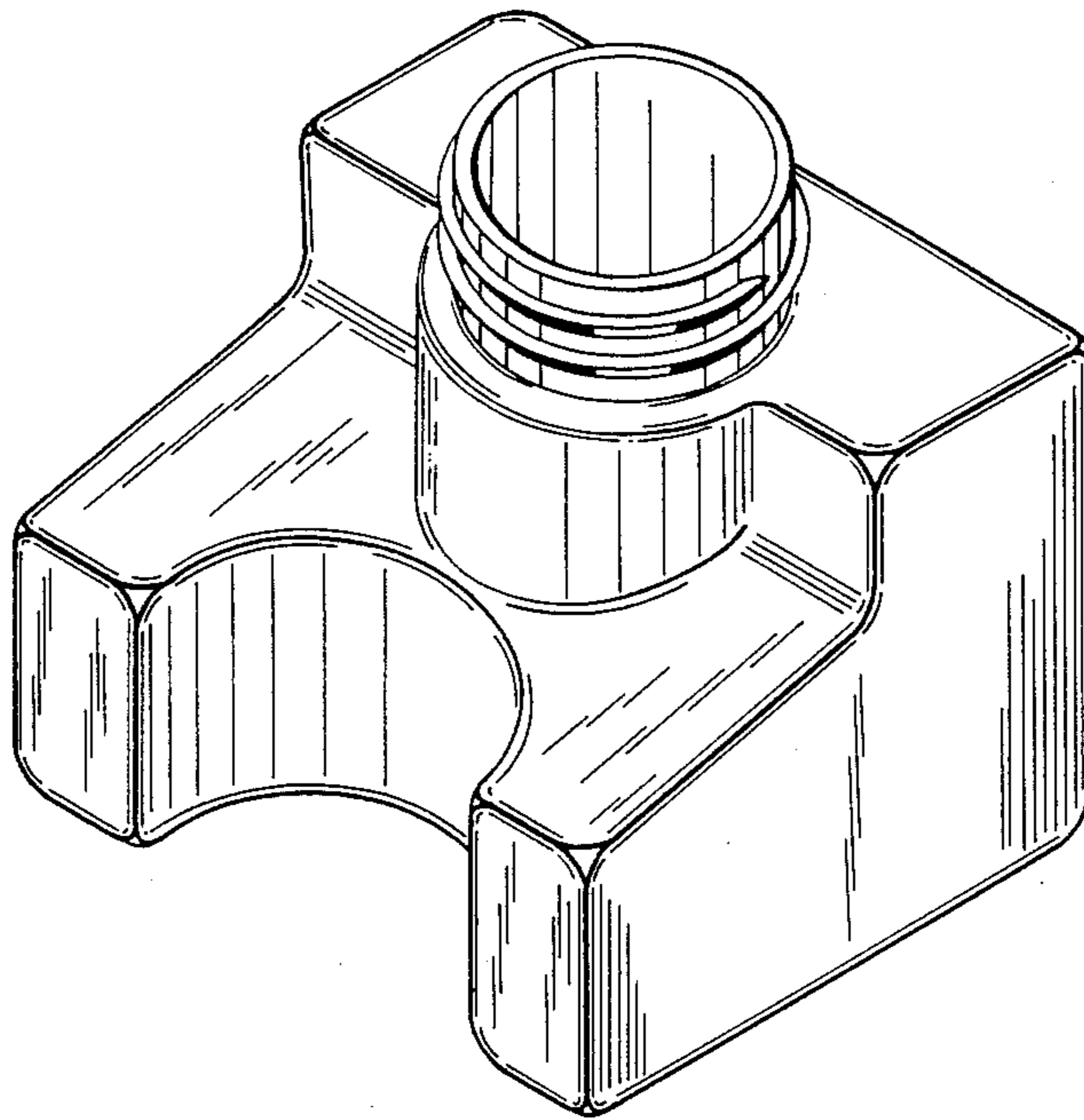


FIG. 7

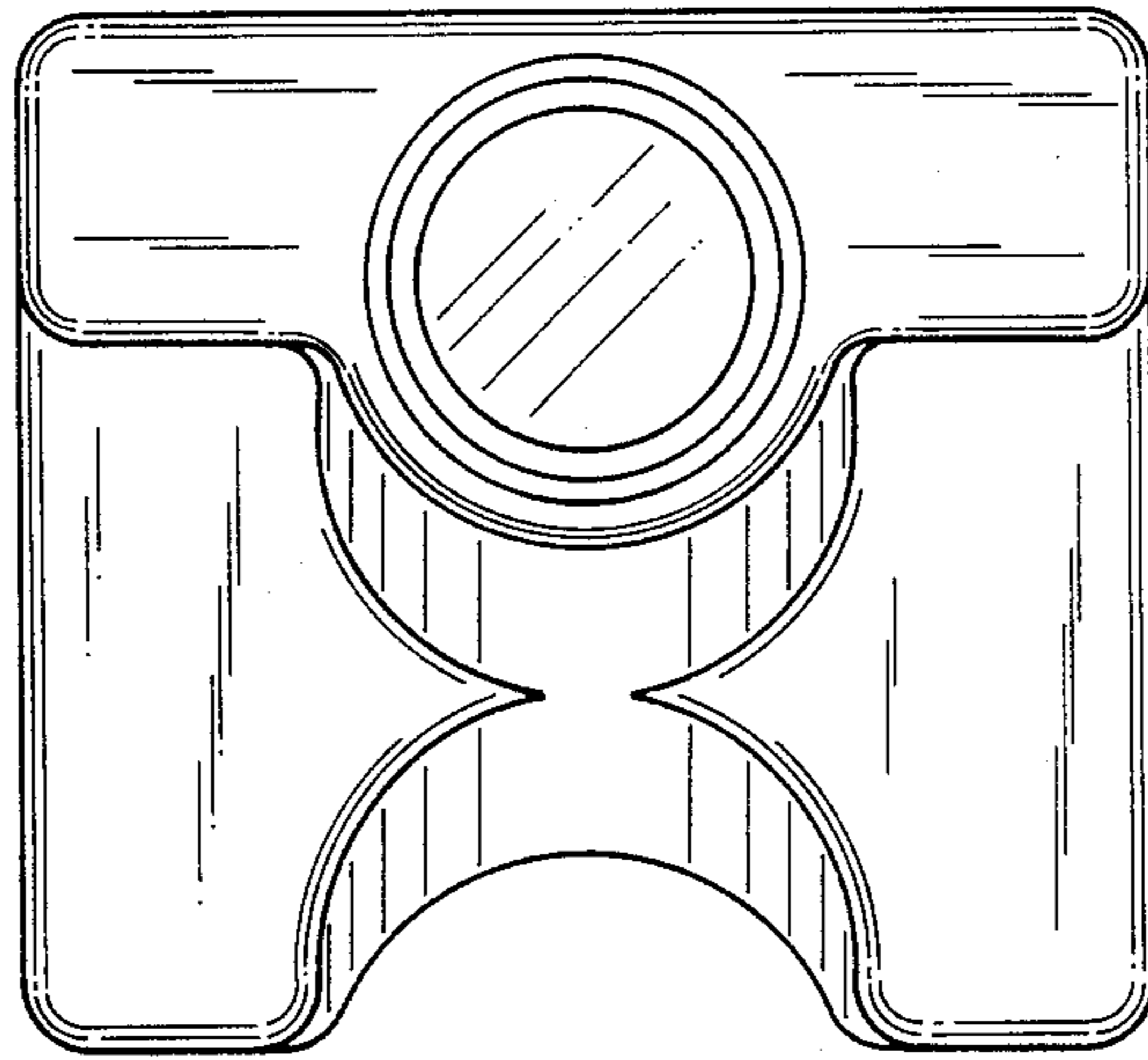


FIG. 9

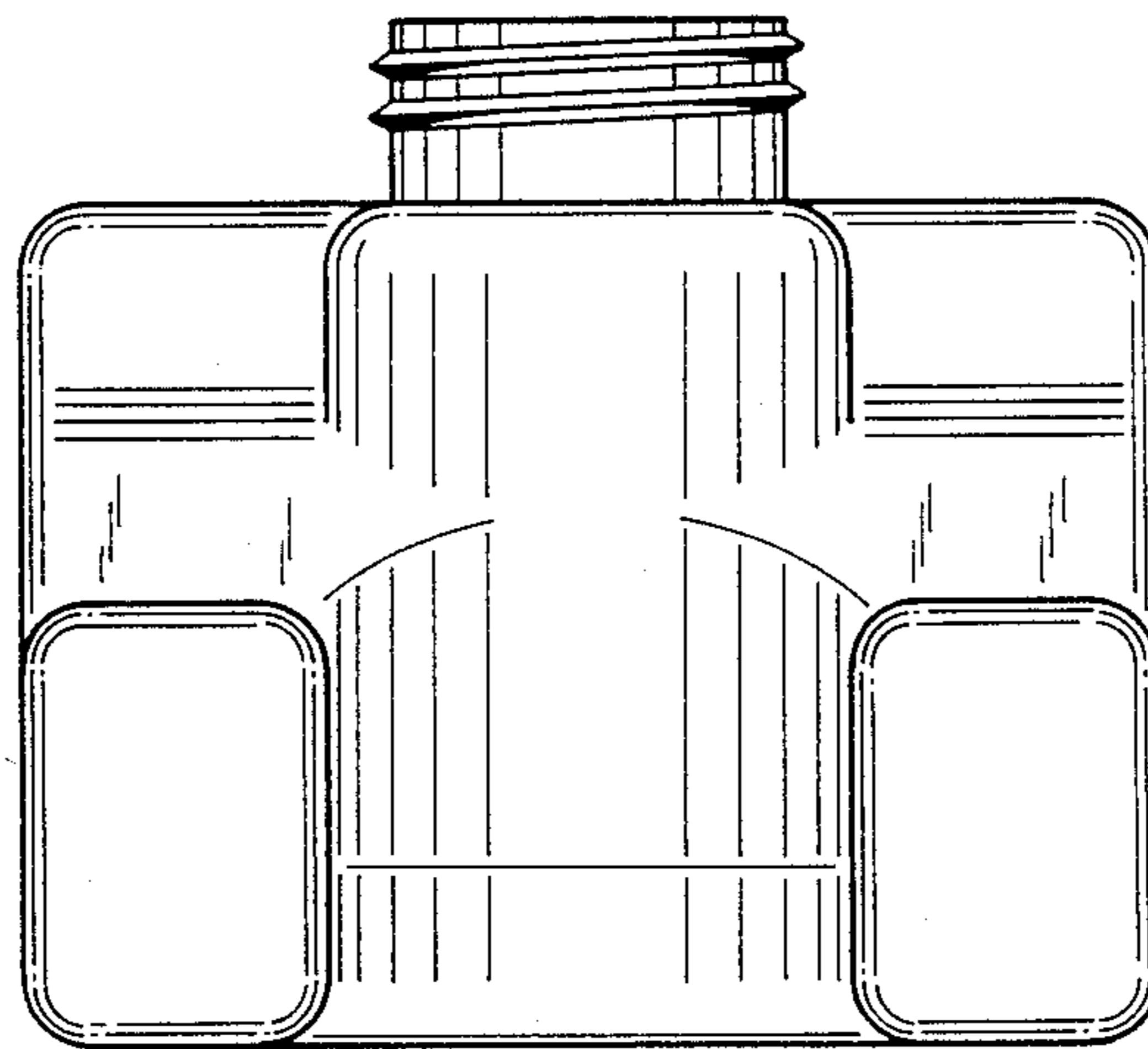


FIG. 8

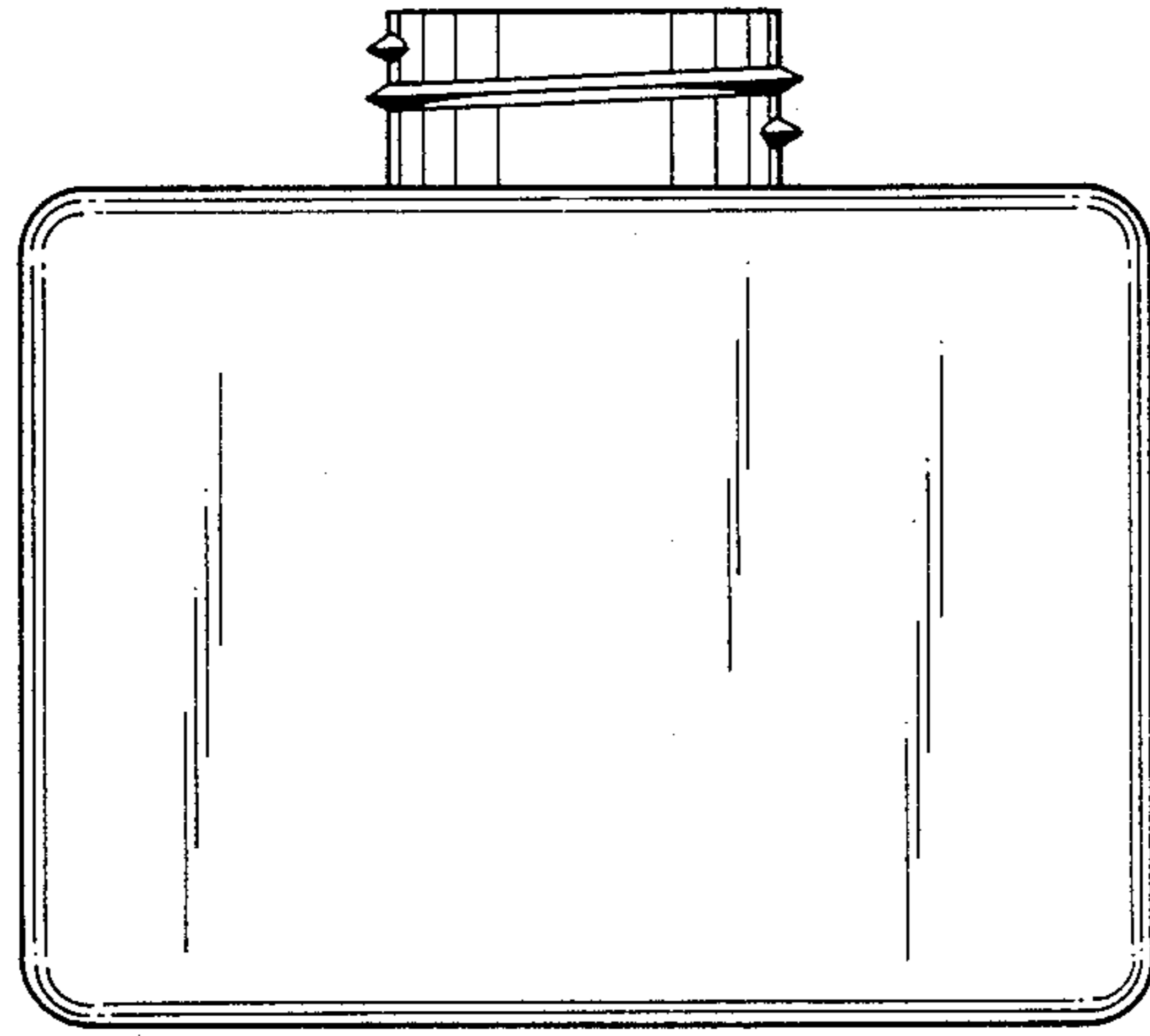


FIG. 10

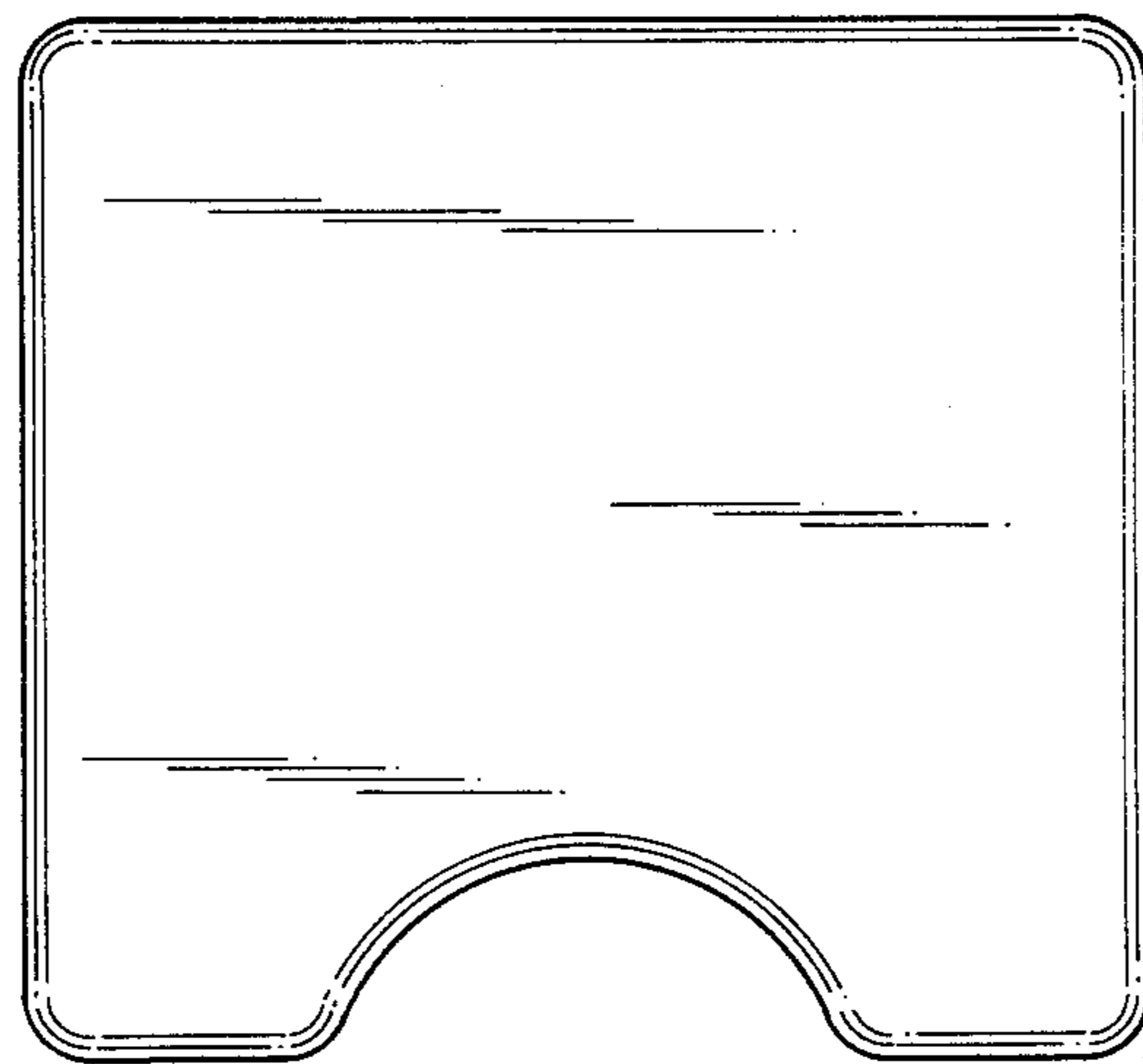


FIG. 11

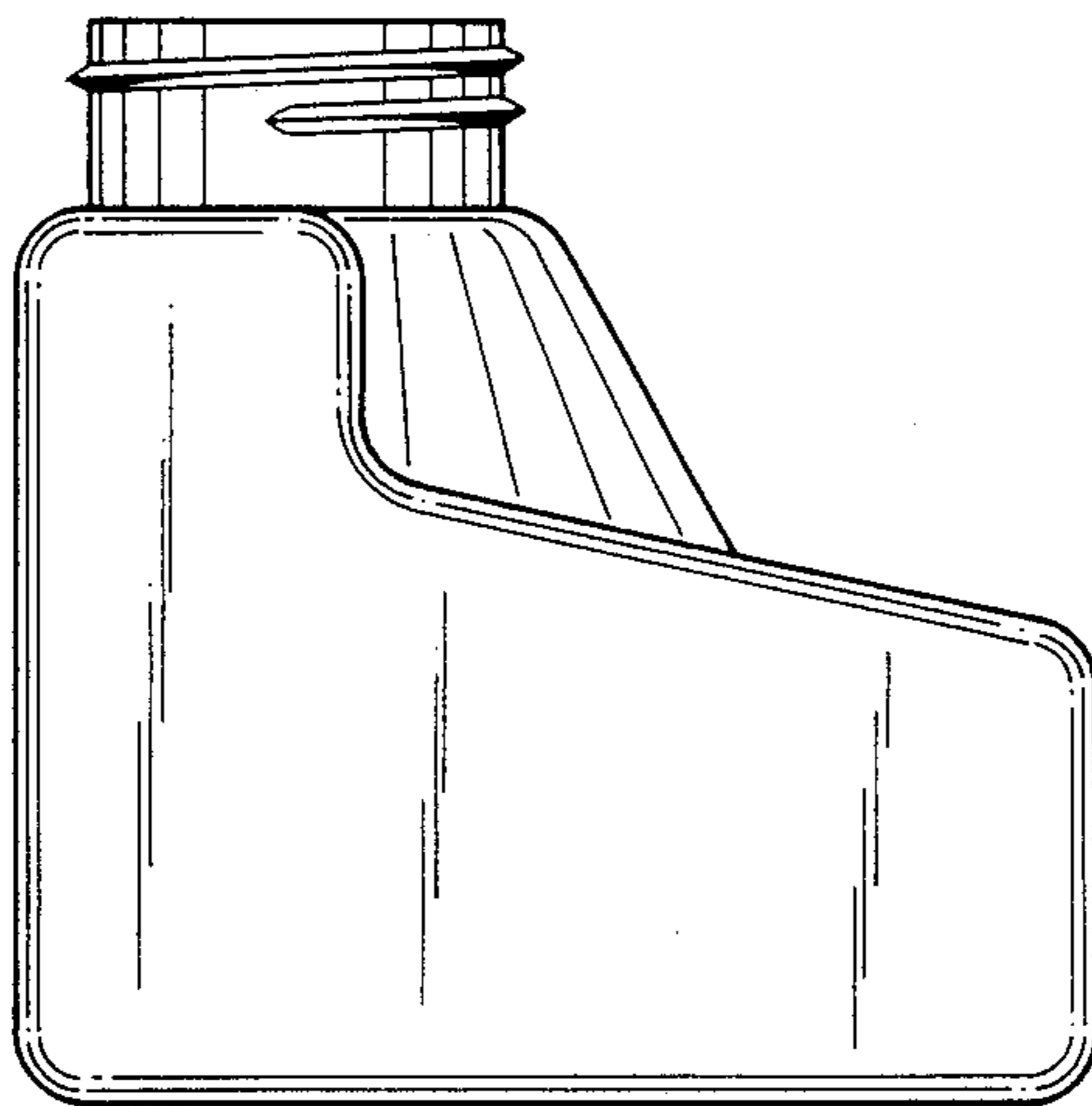


FIG. 12

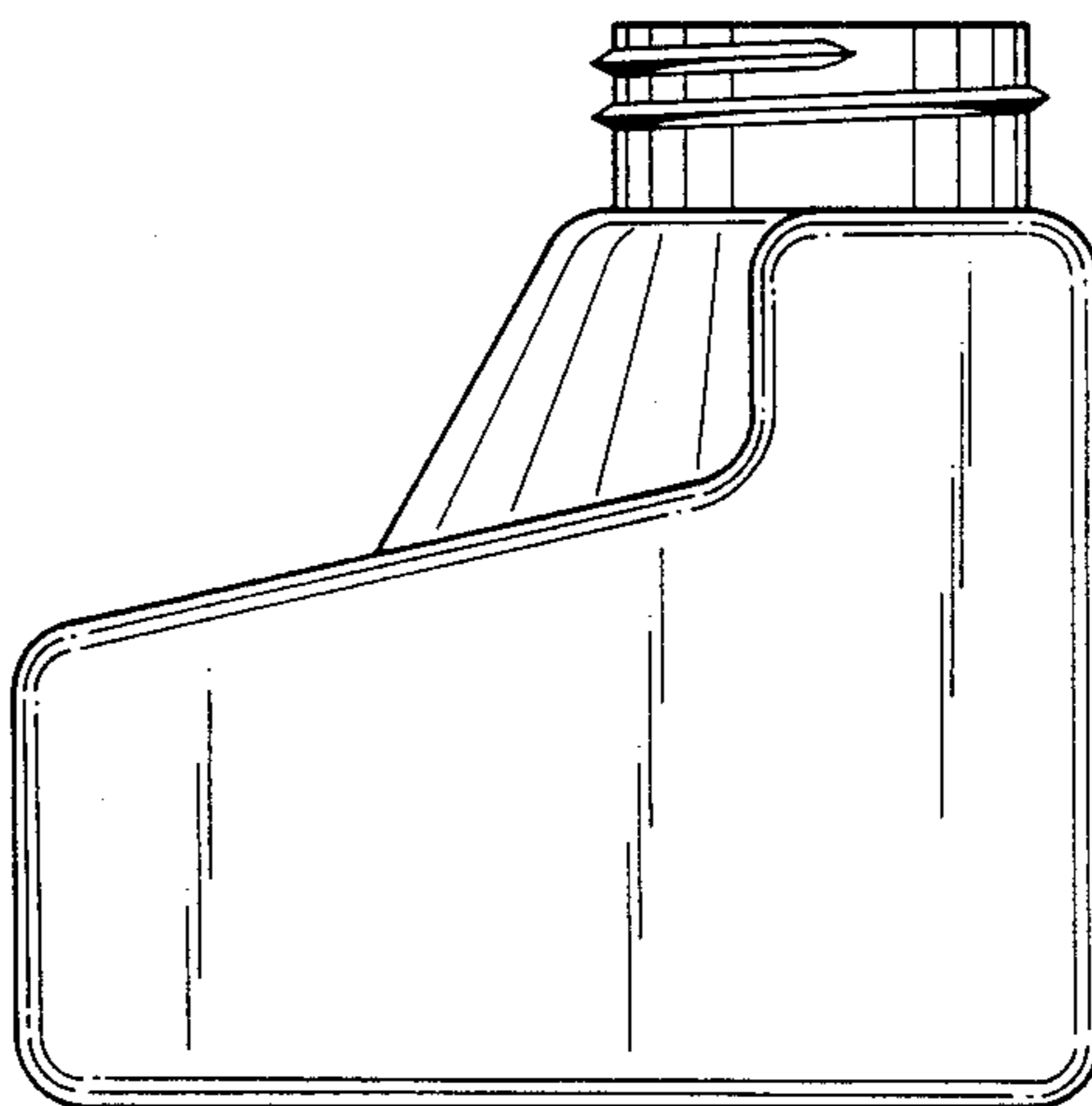


FIG. 13

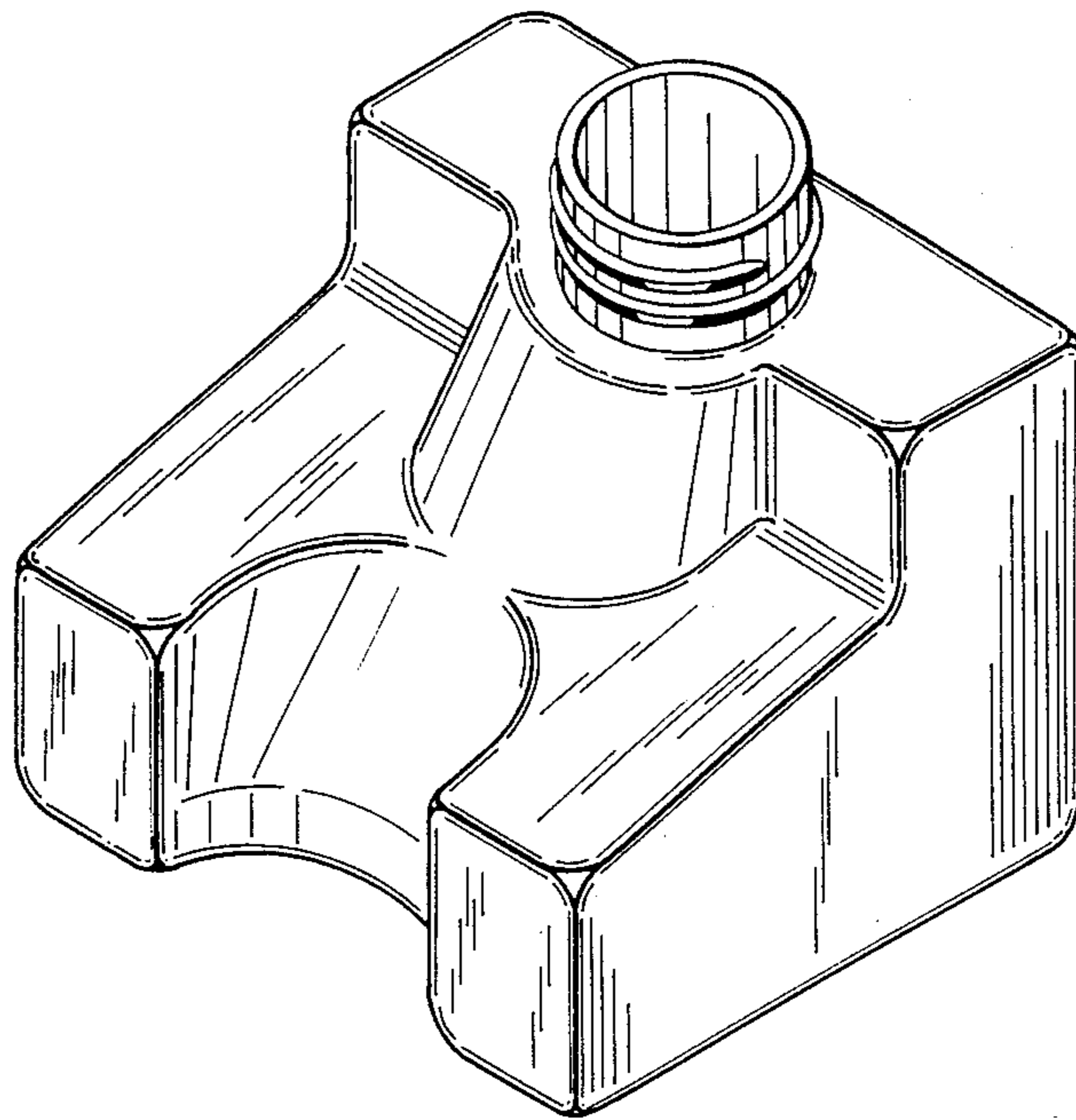


FIG. 14

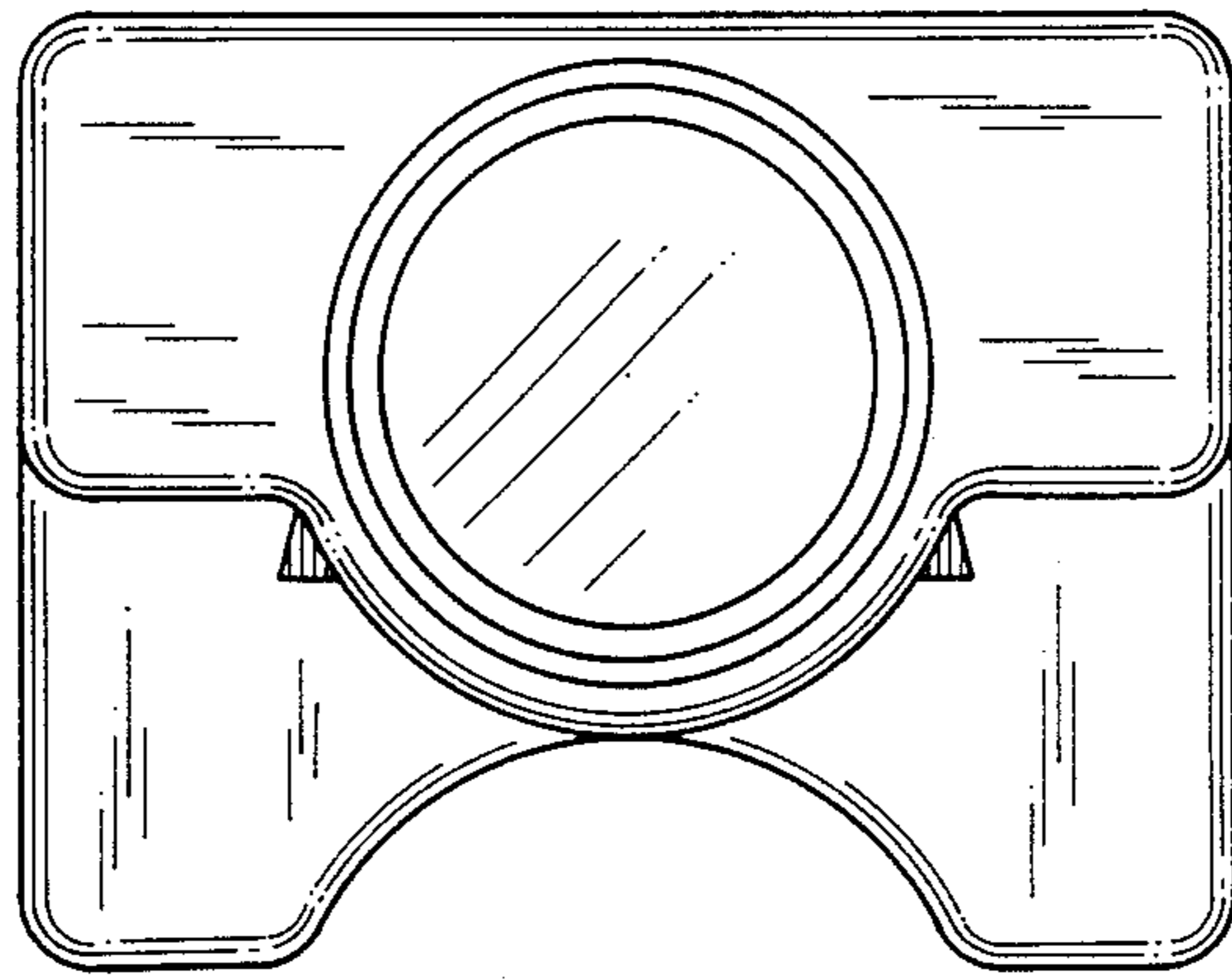


FIG. 16

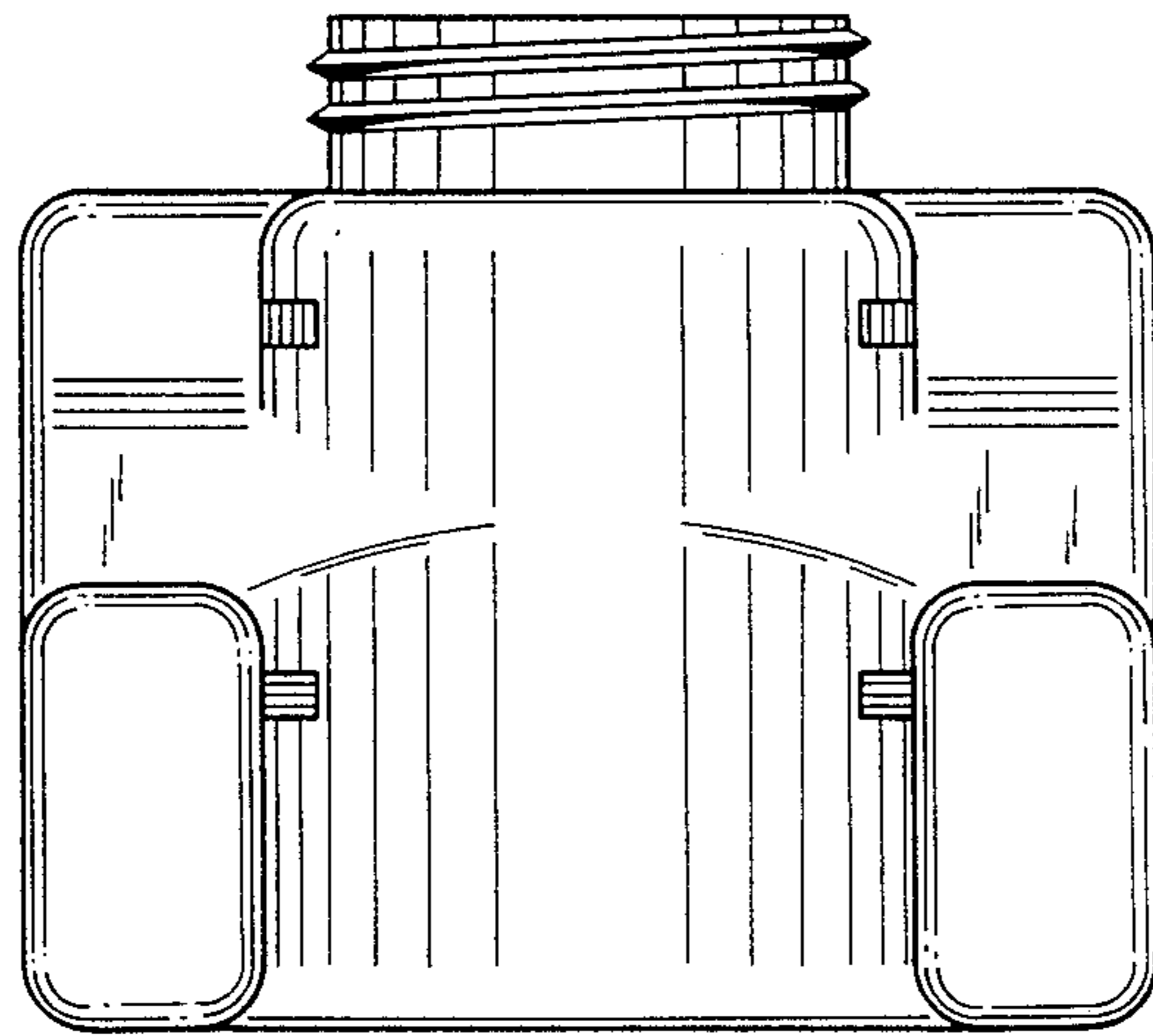


FIG. 15

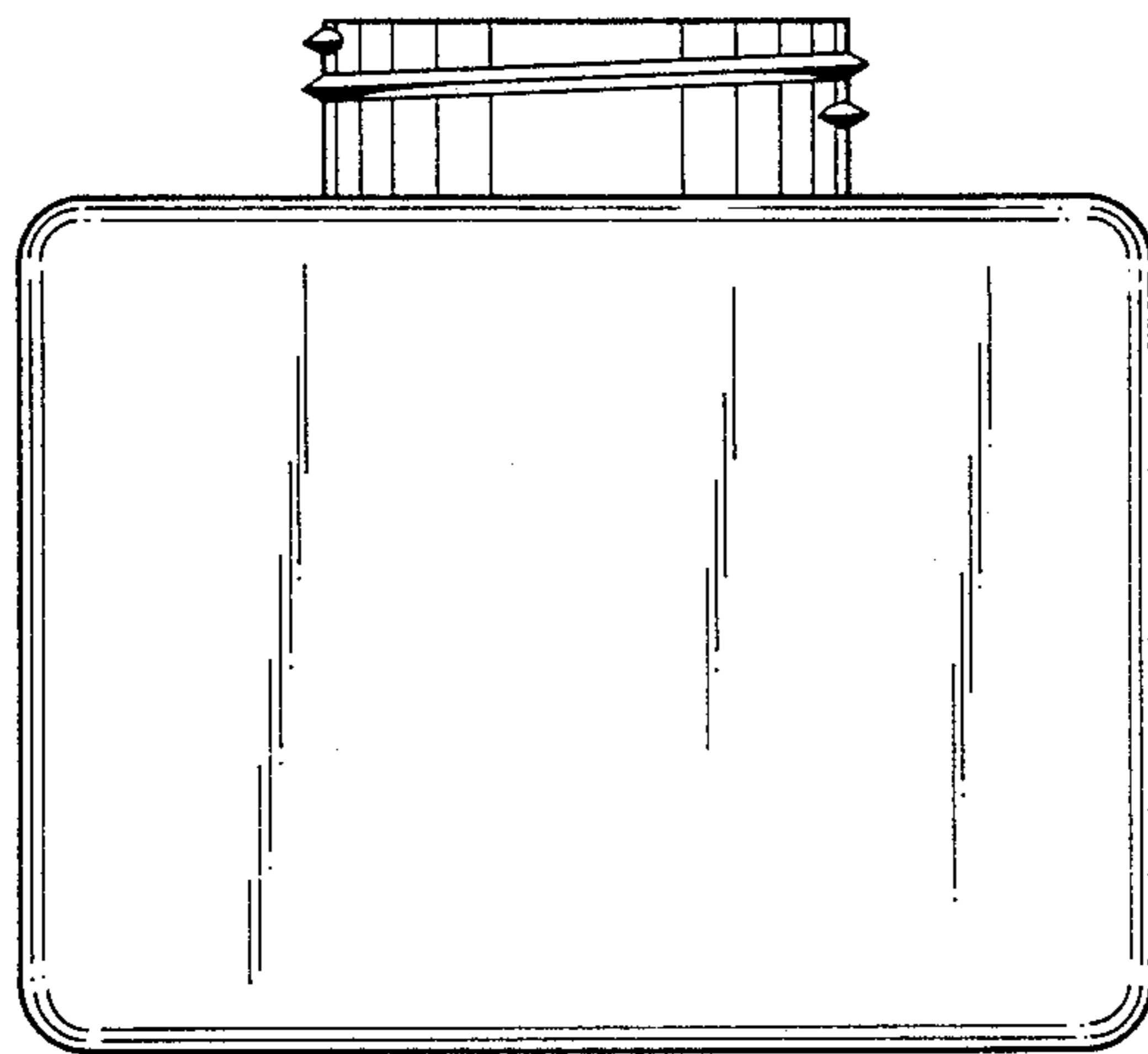


FIG. 17

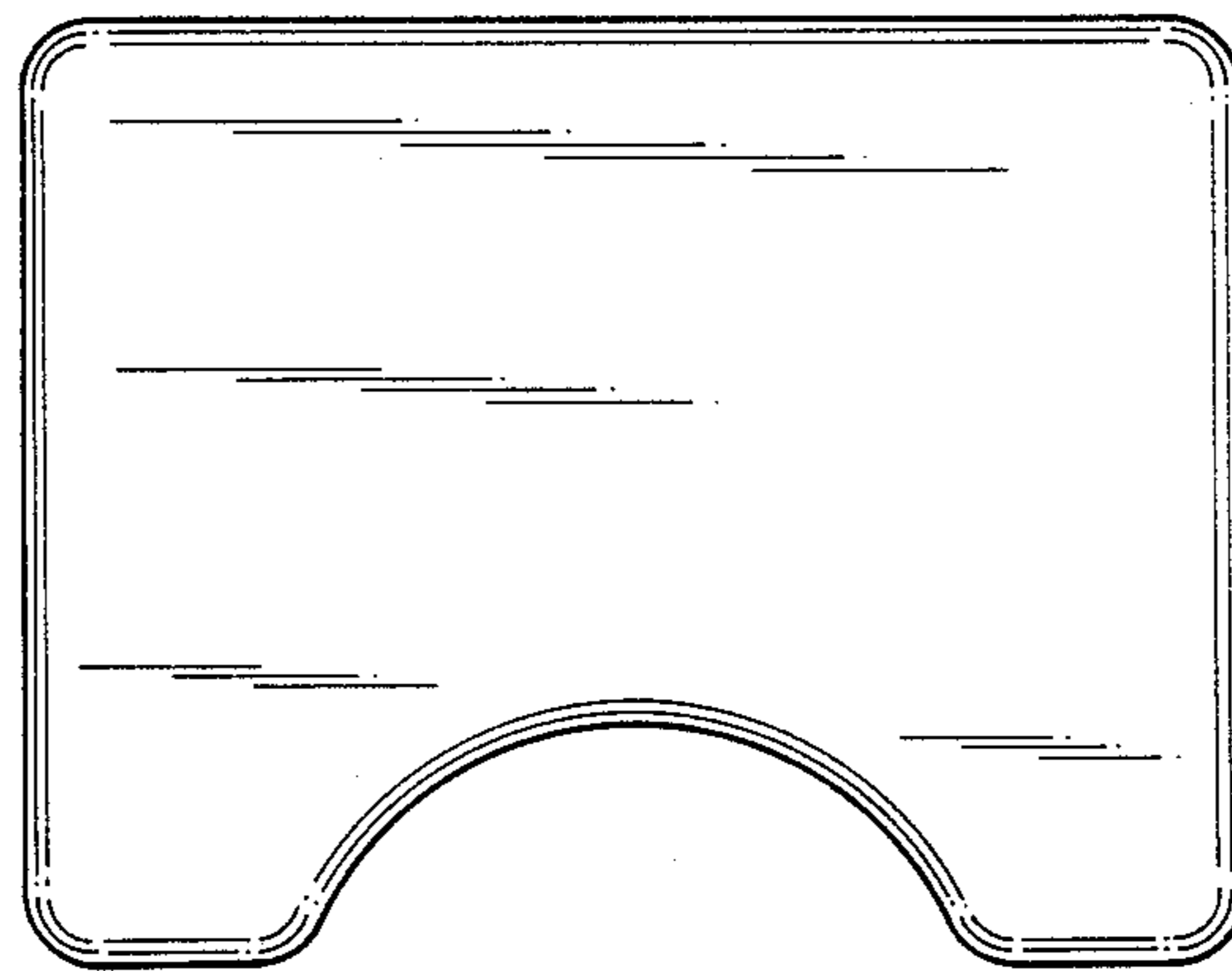


FIG. 18

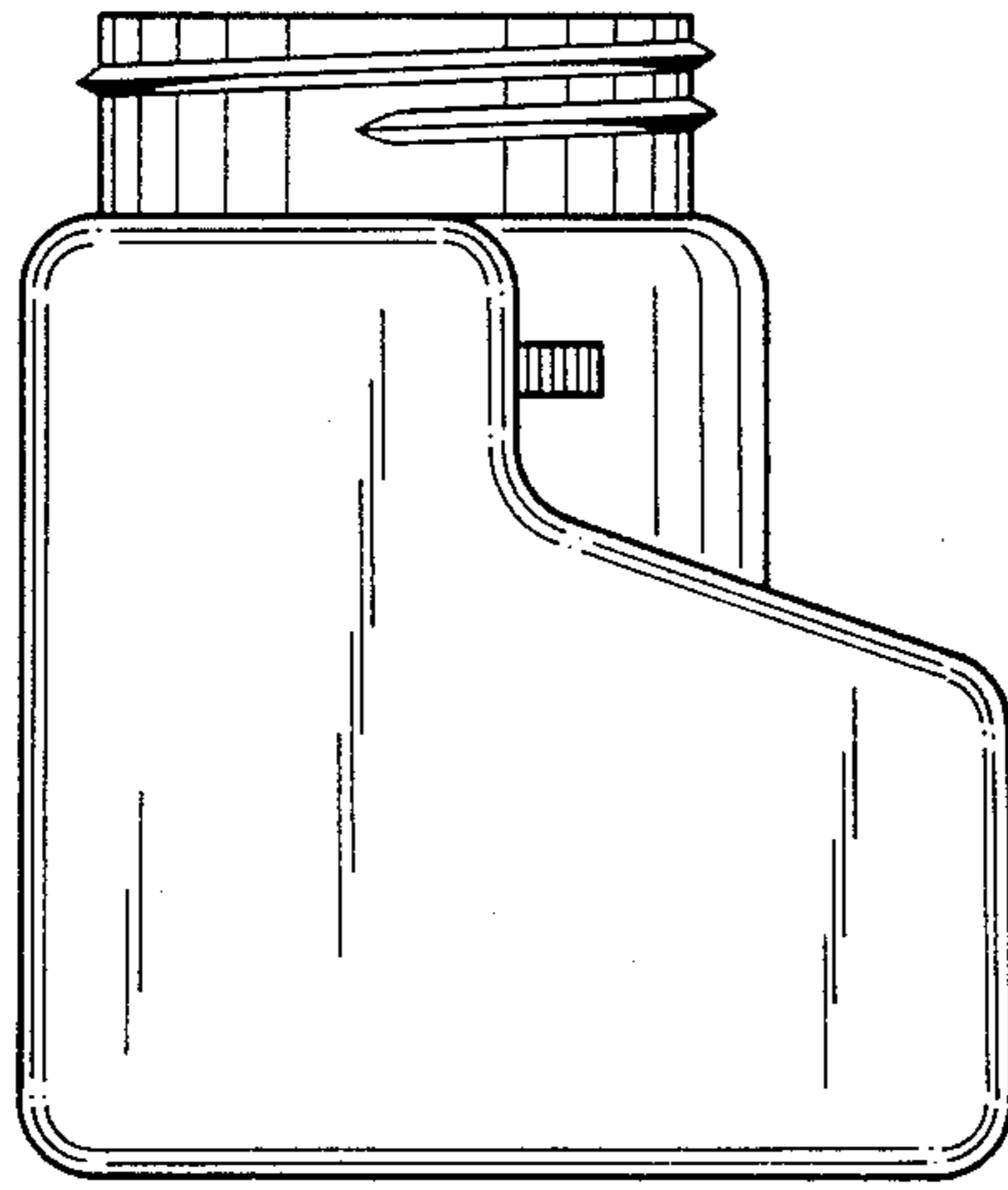


FIG. 19

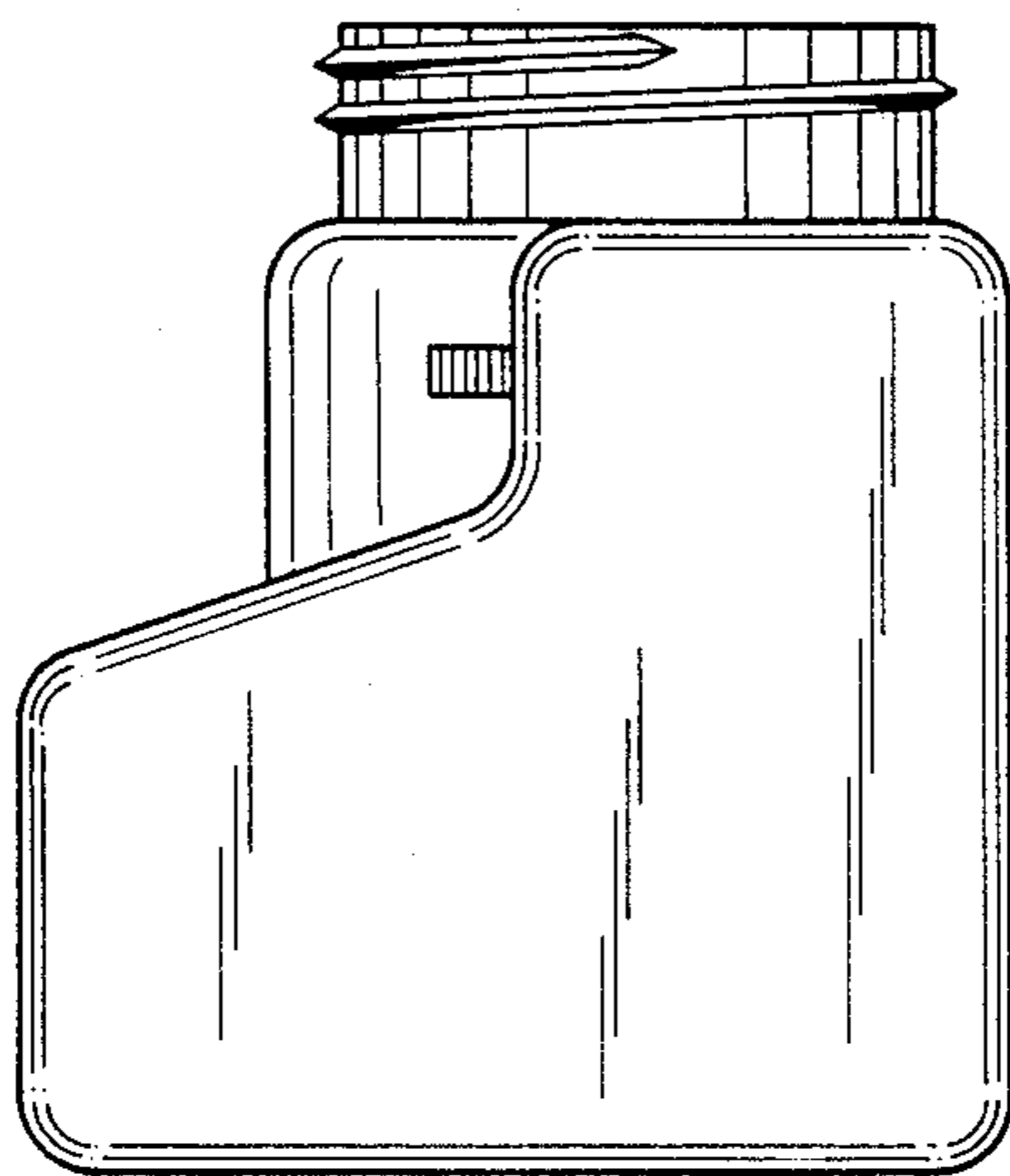


FIG. 20

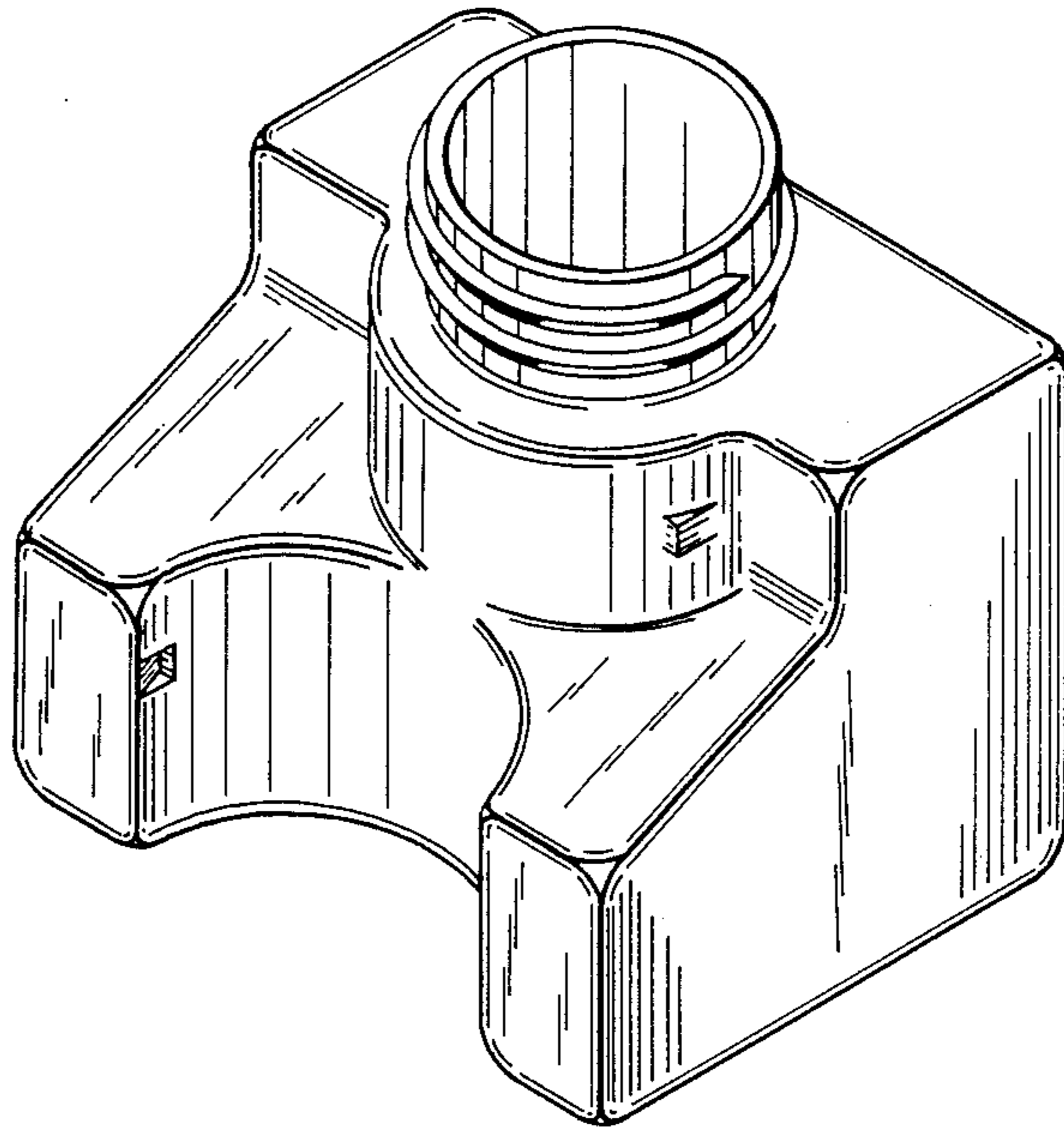


FIG. 21

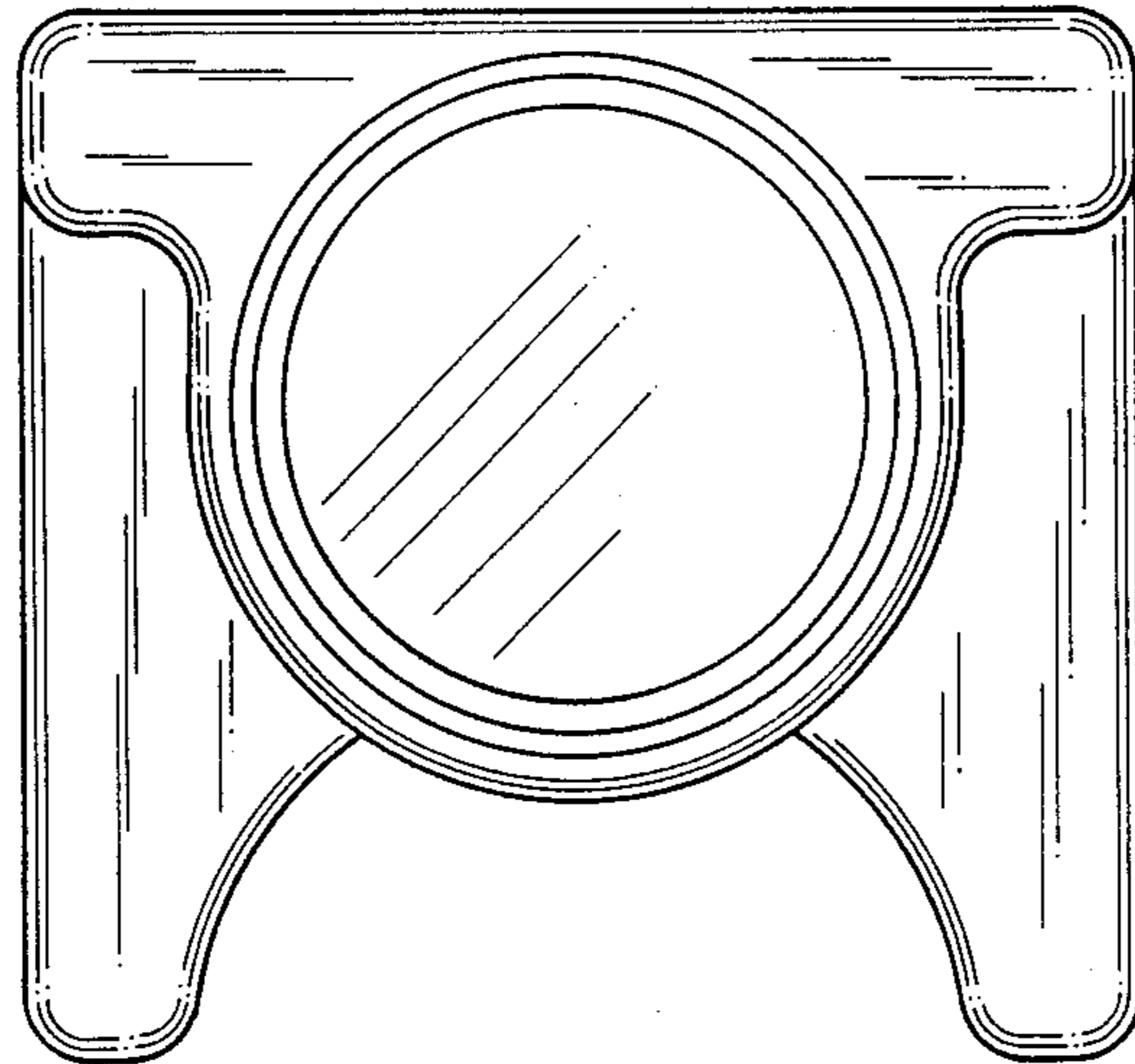


FIG. 23

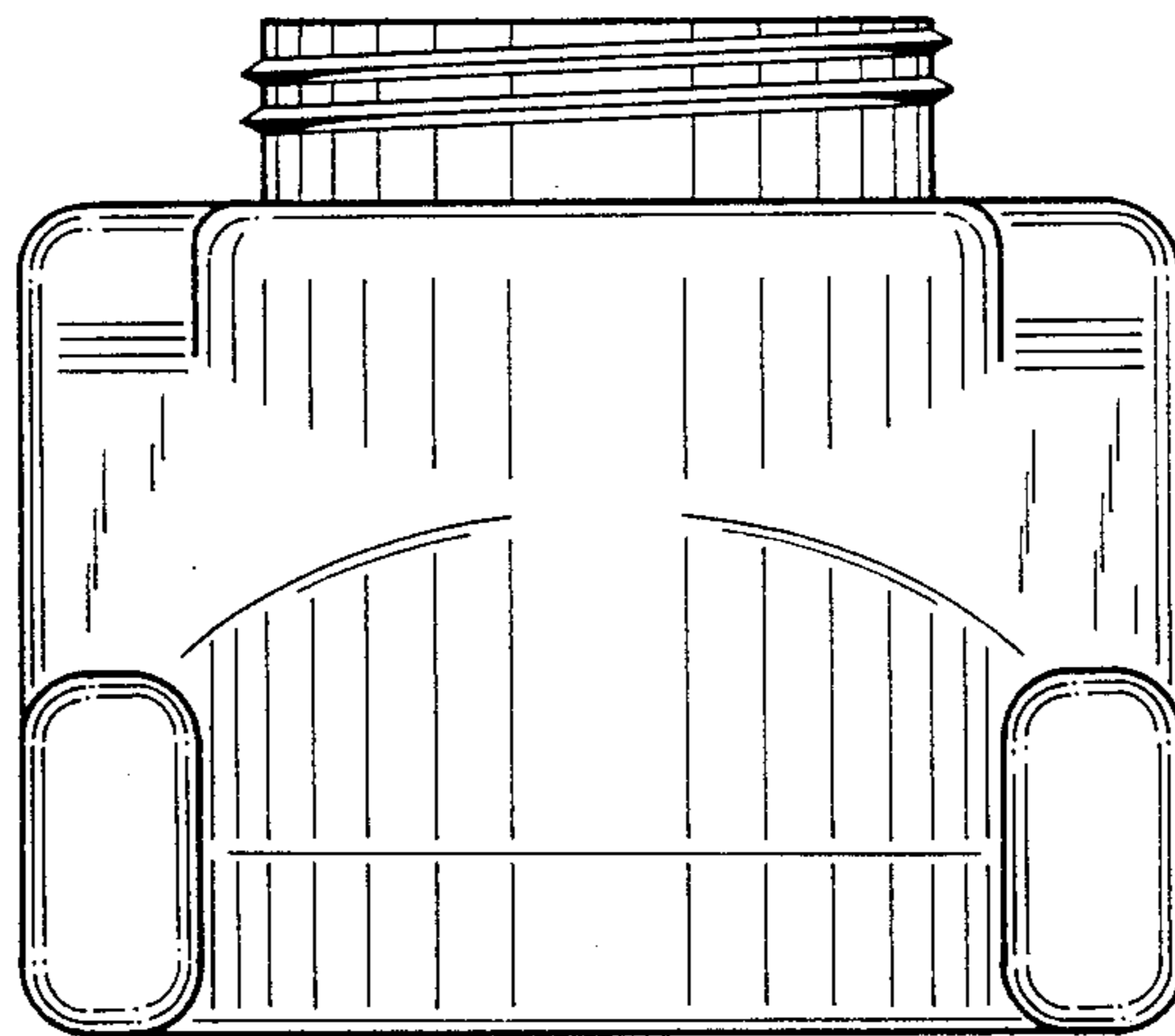


FIG. 22

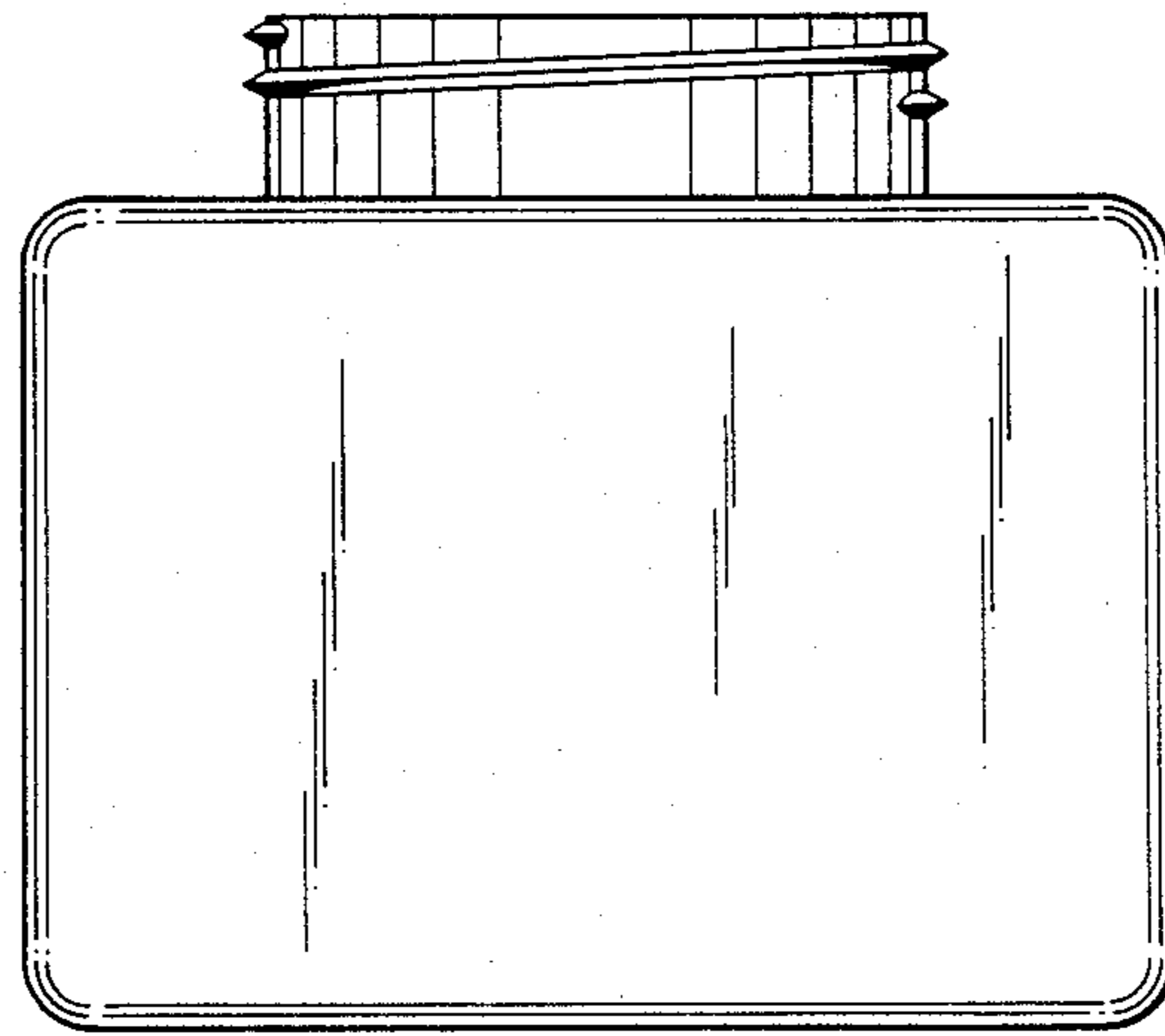


FIG. 24

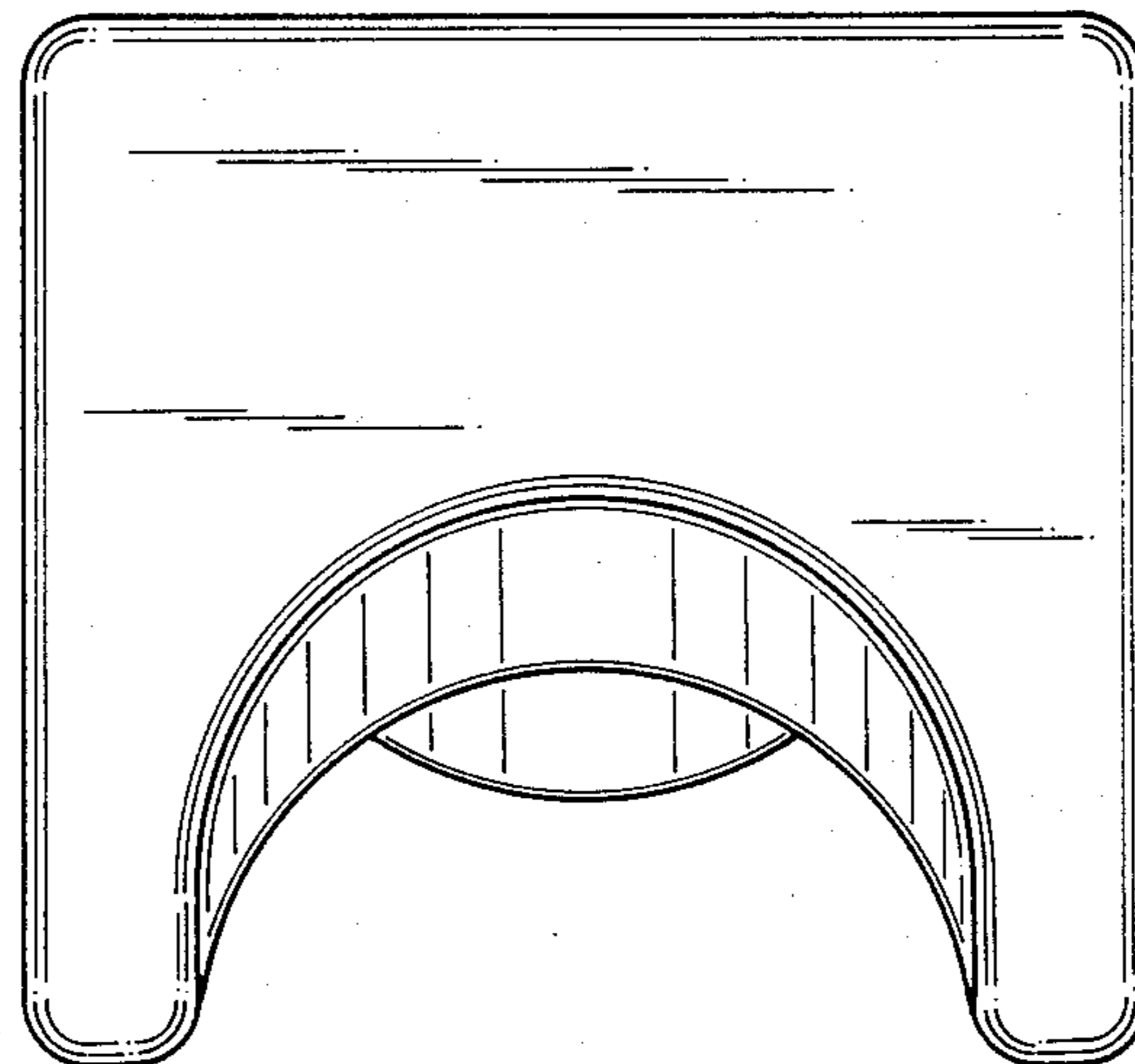


FIG. 25

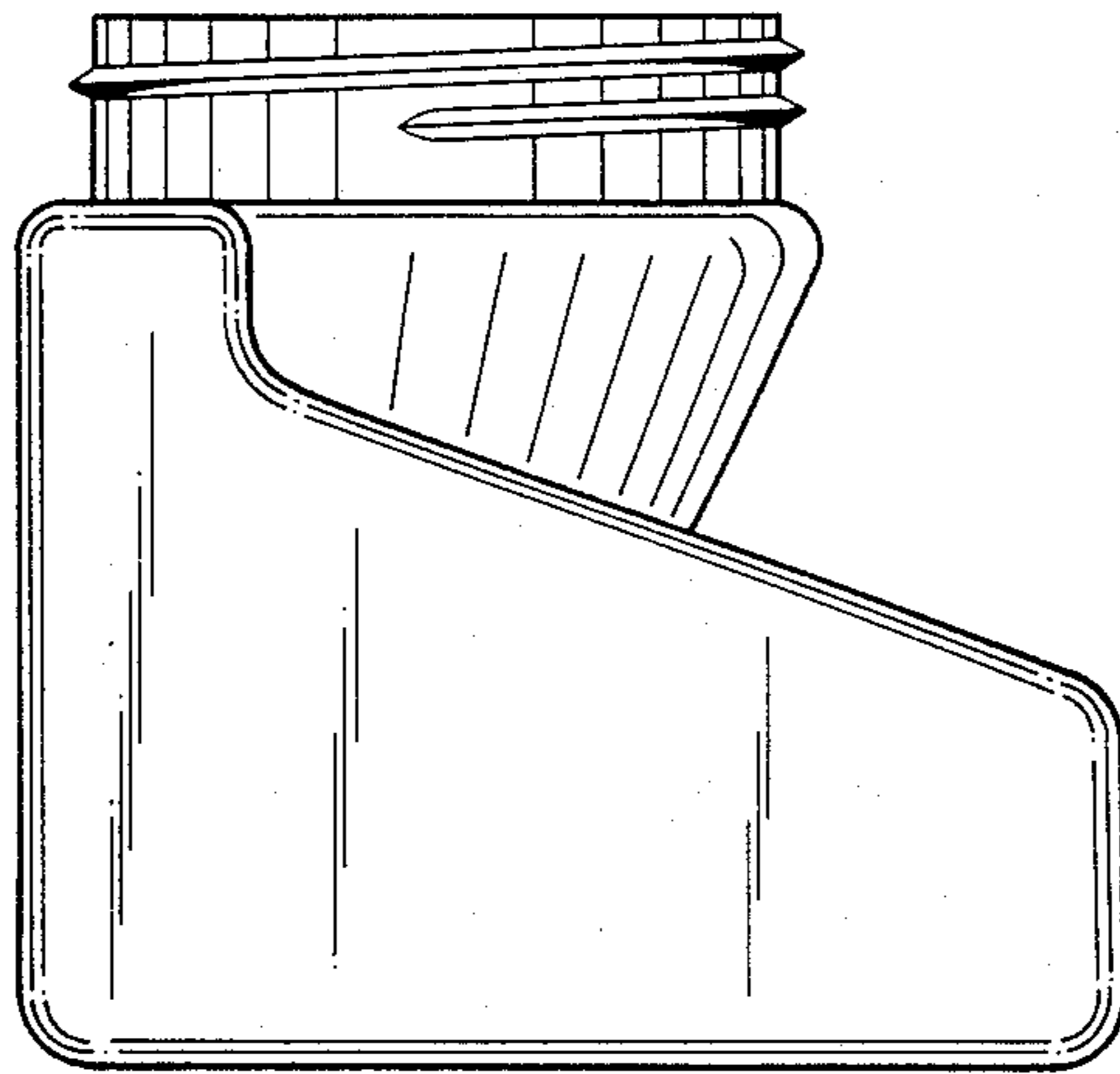


FIG. 26

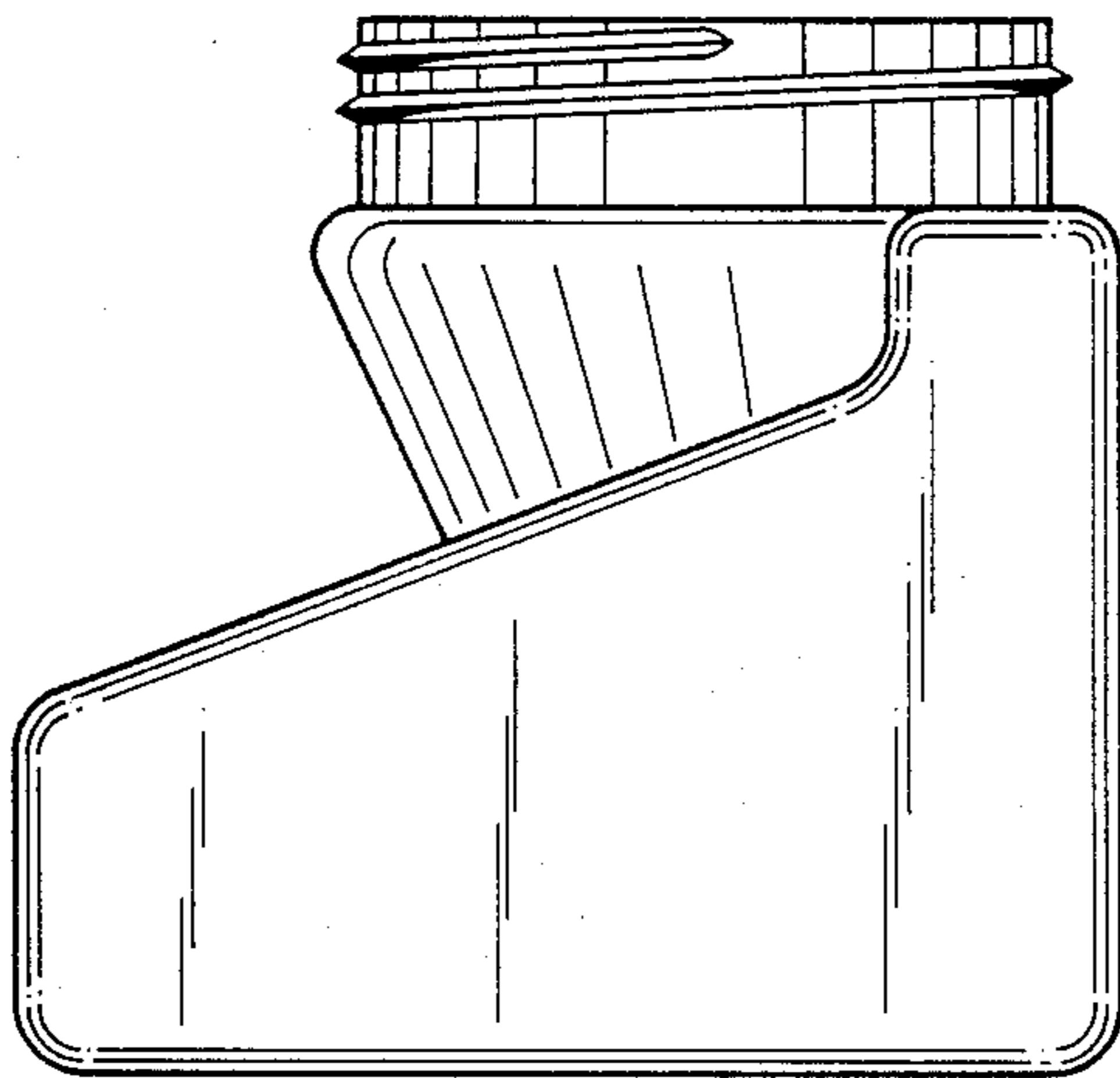


FIG. 27

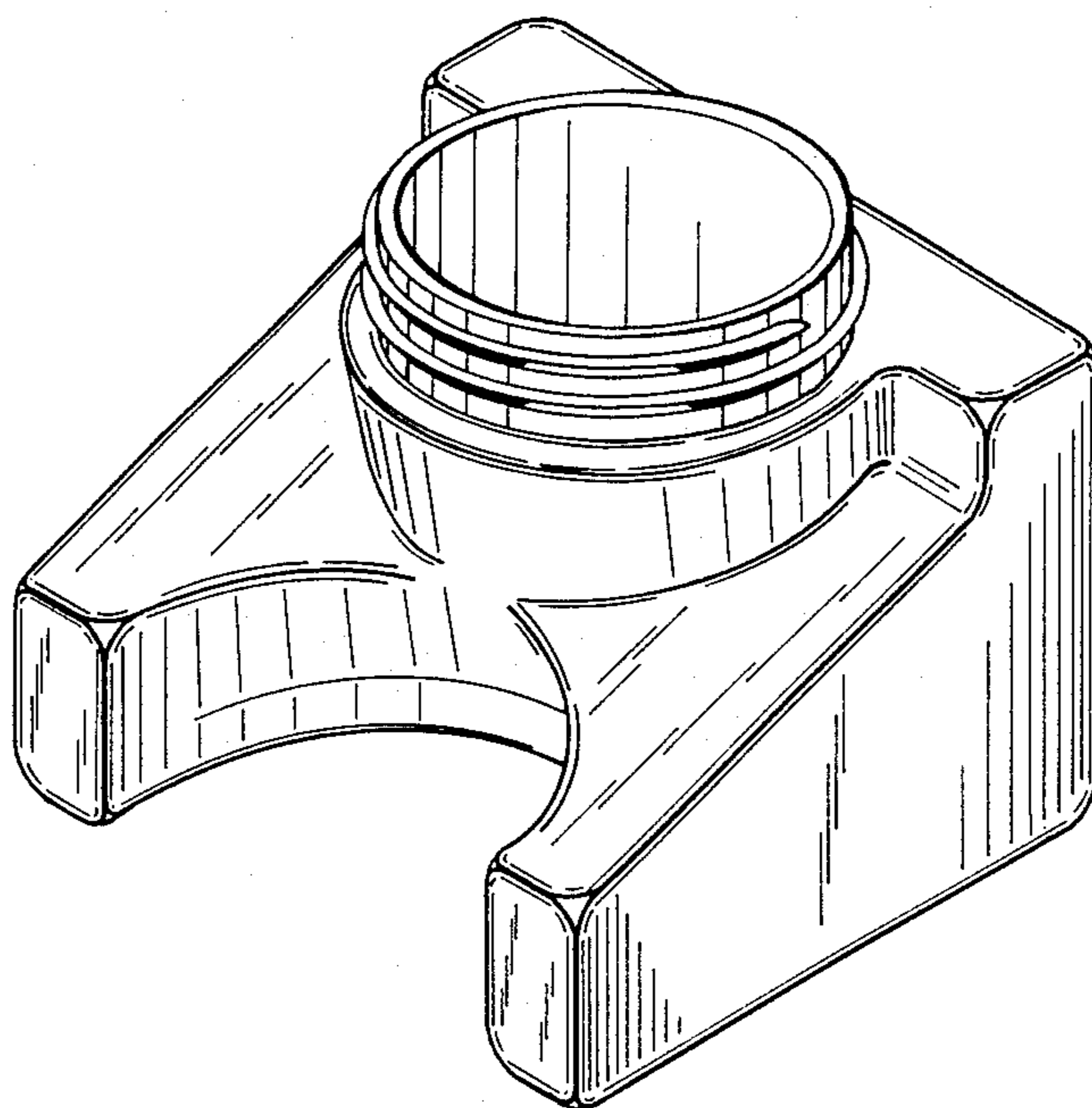


FIG. 28

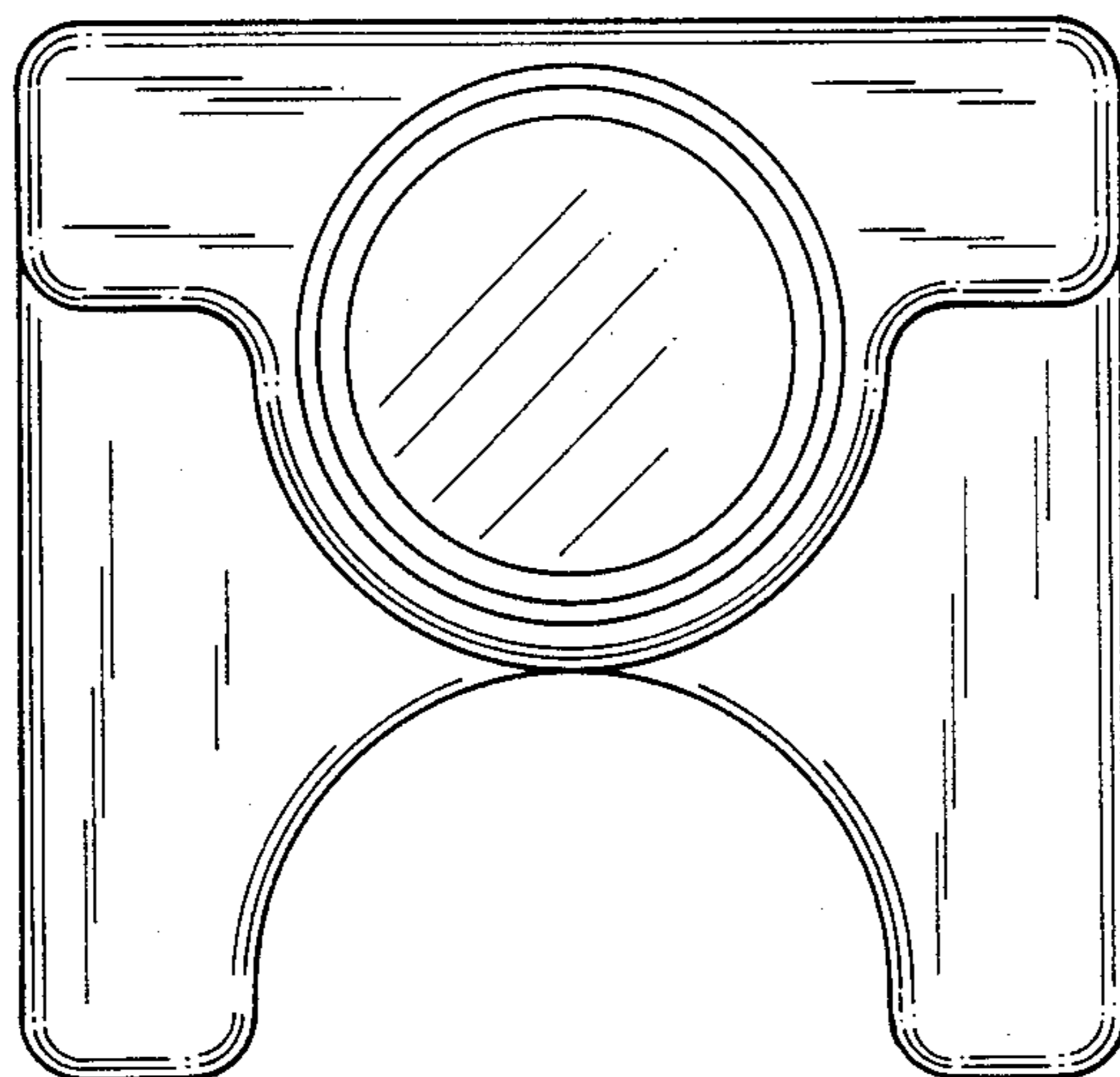


FIG. 30

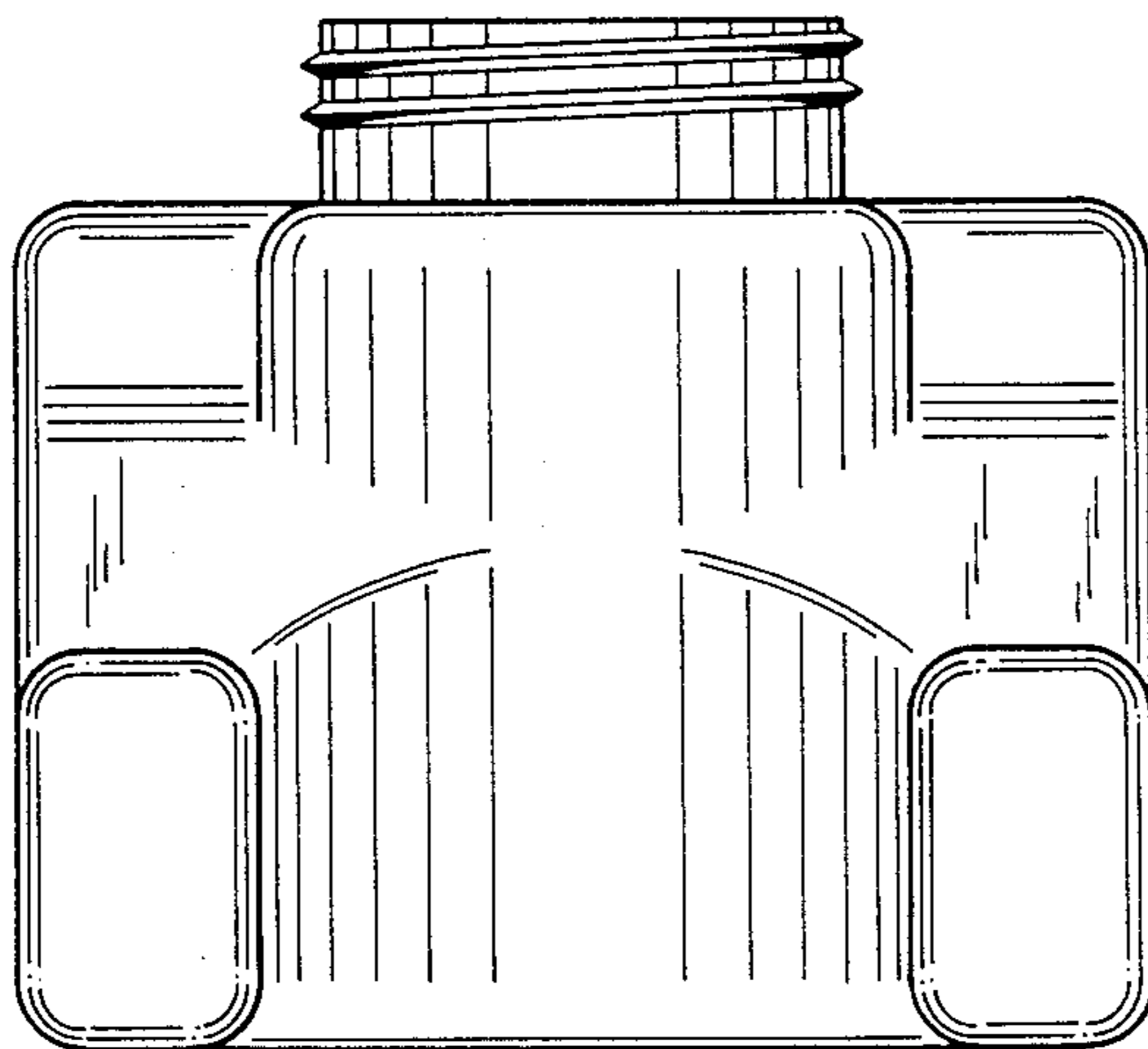


FIG. 29

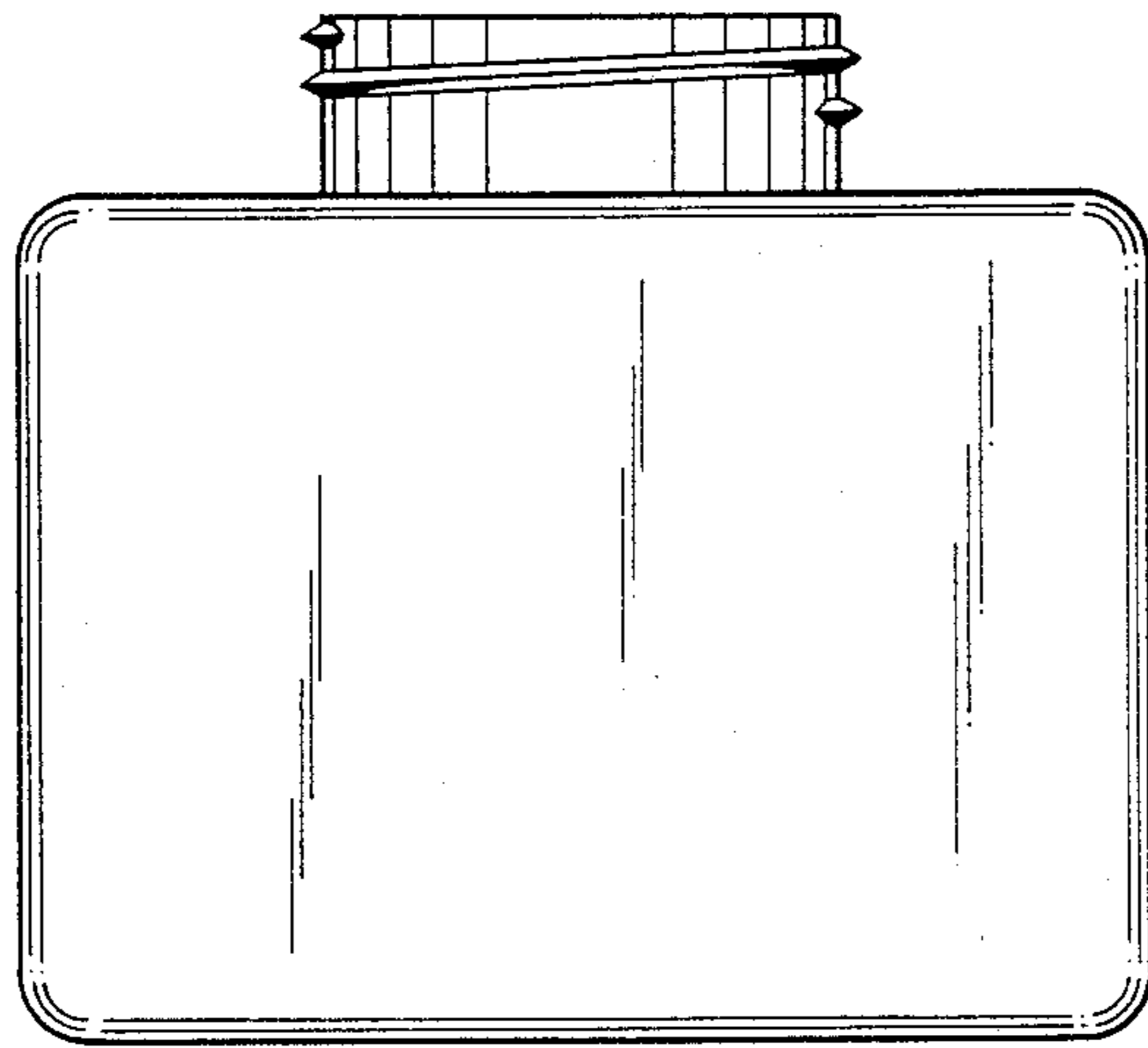


FIG. 31

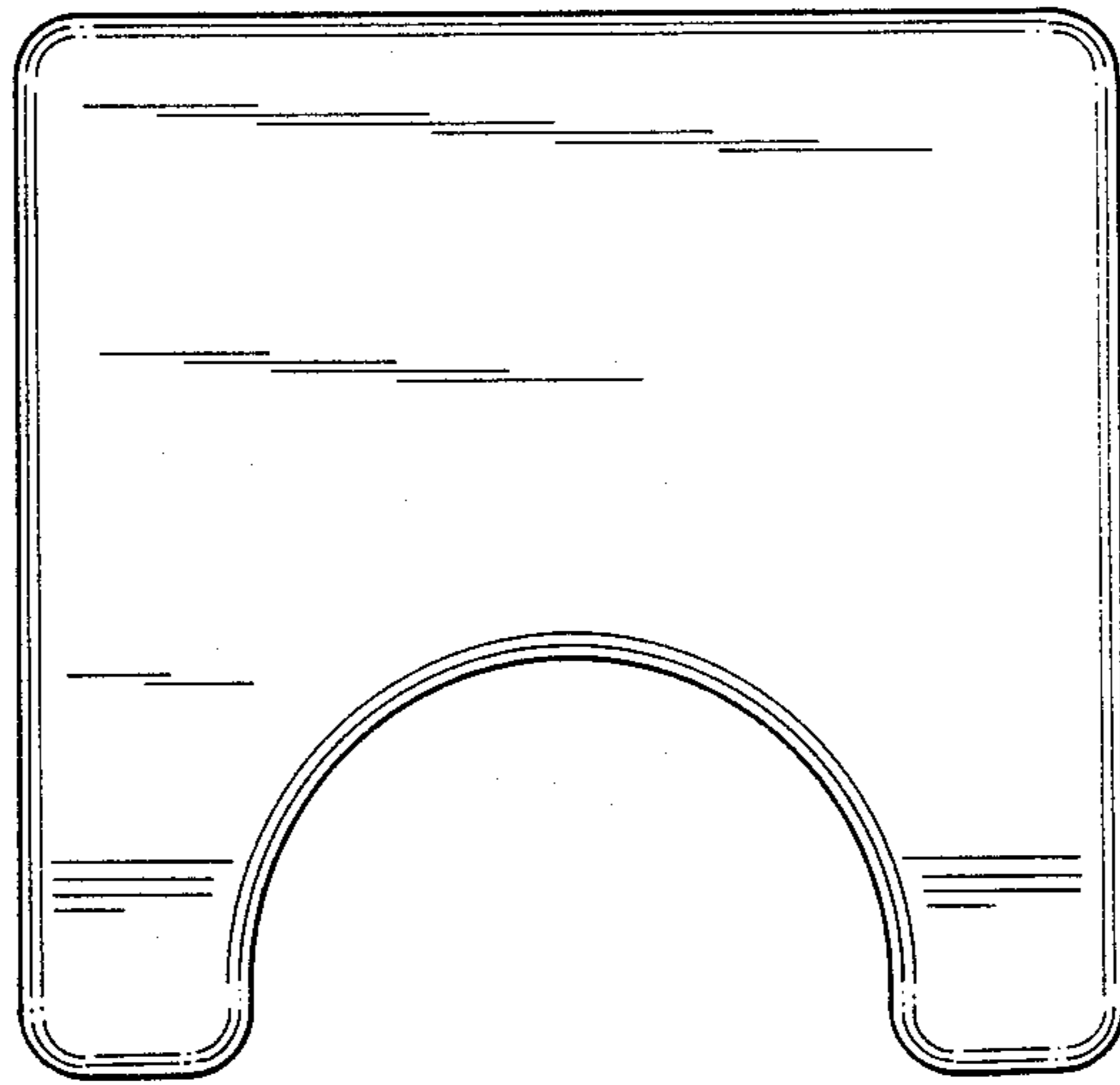


FIG. 32

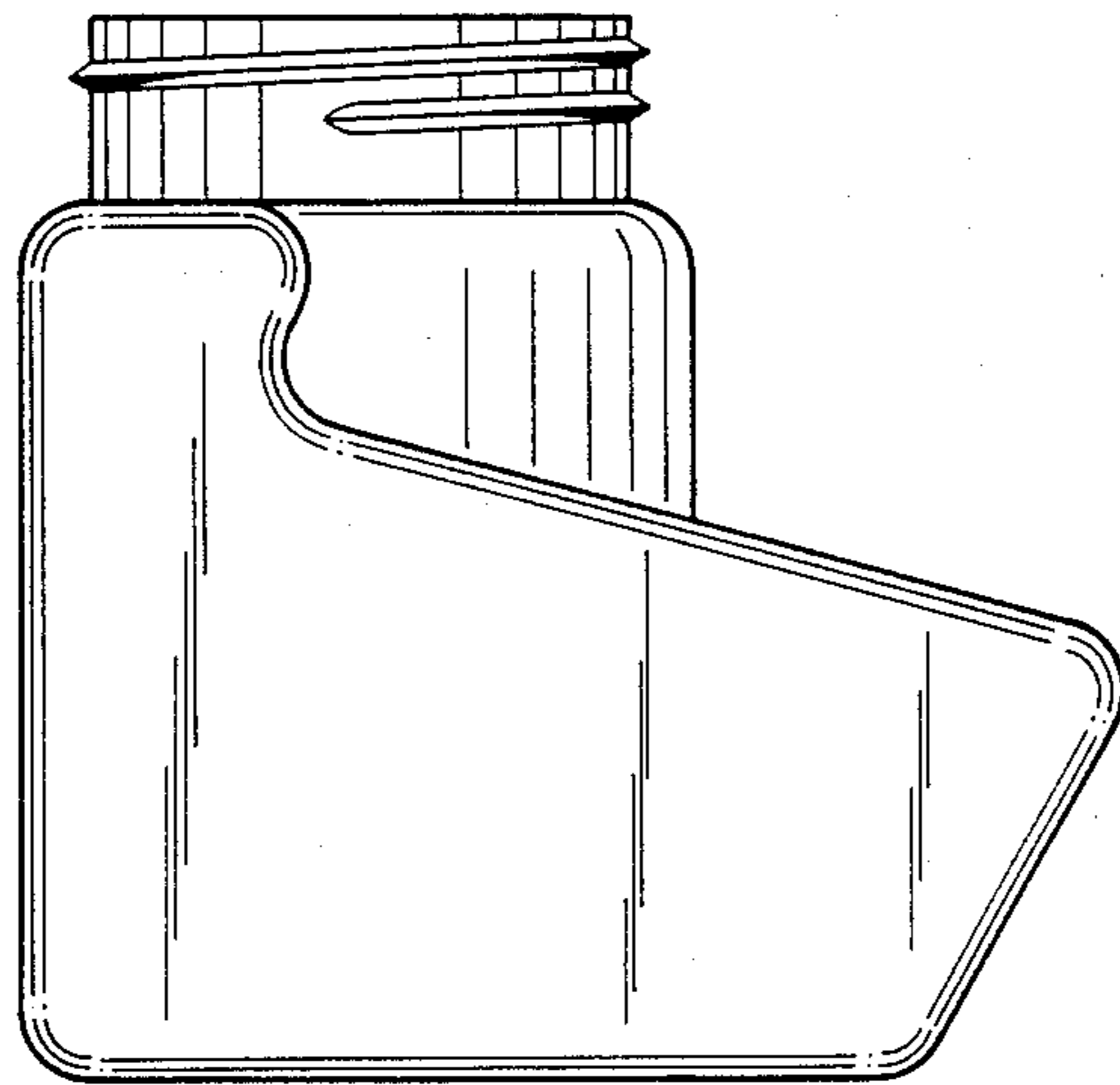


FIG. 33

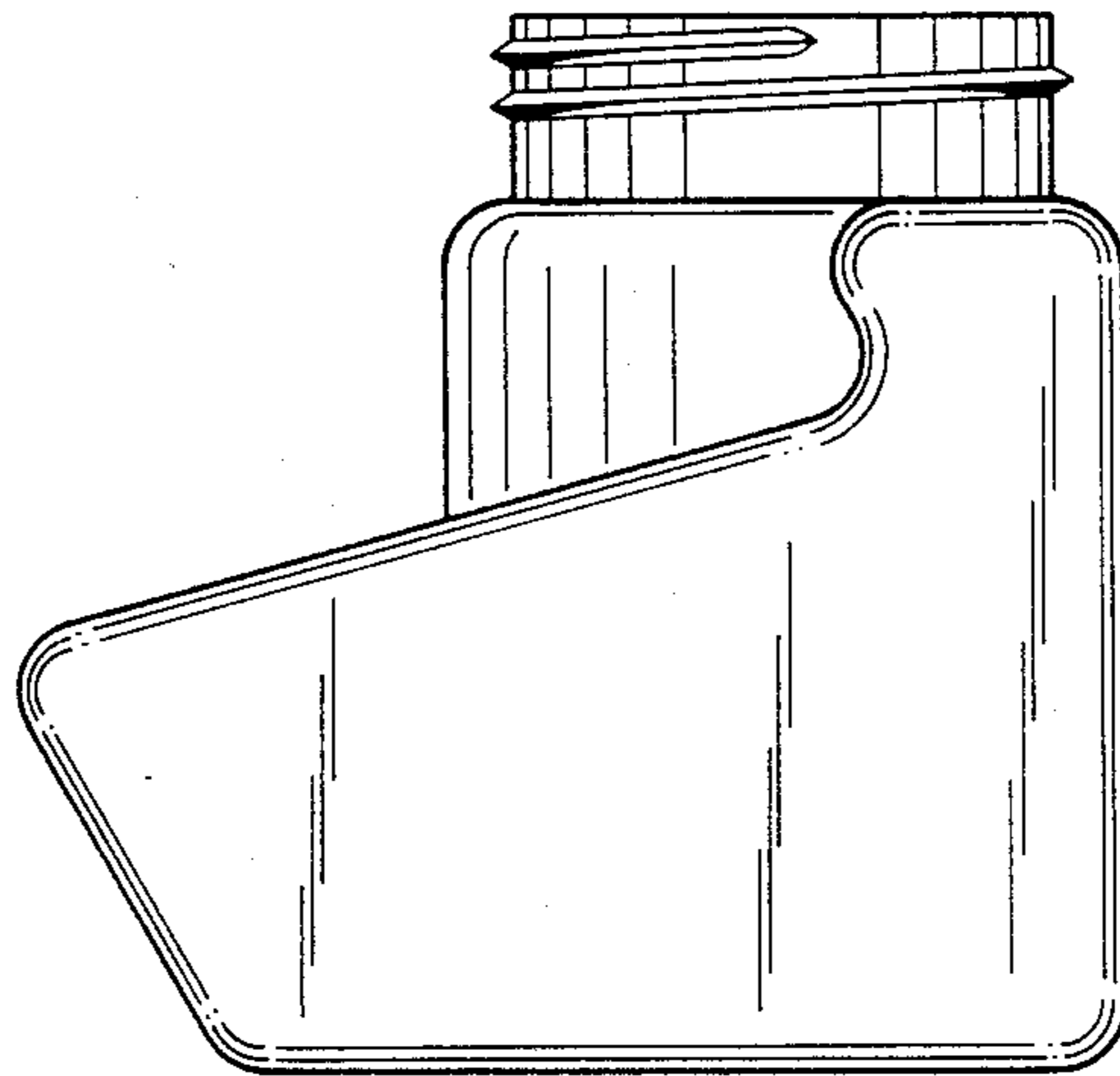


FIG. 34

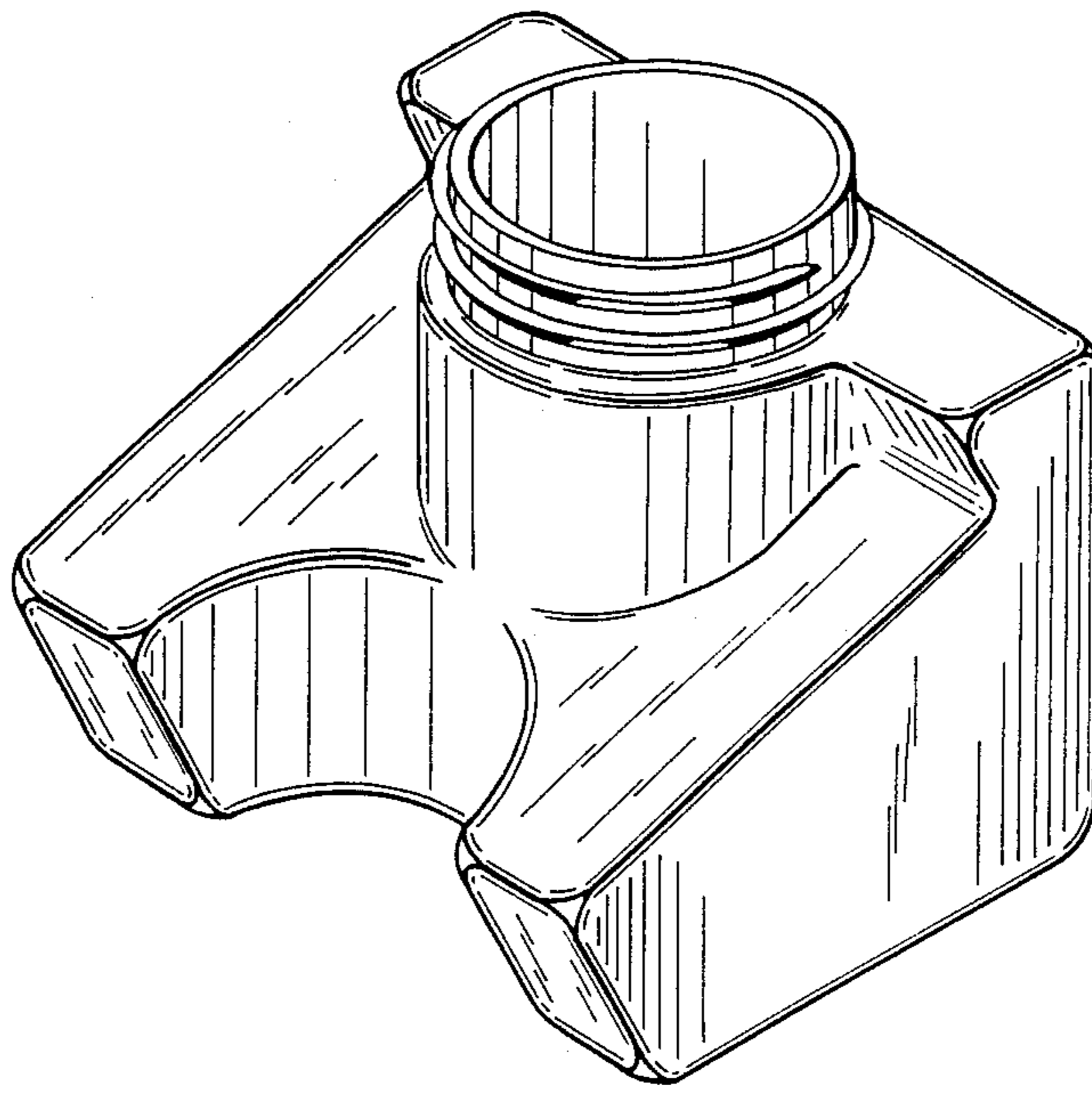


FIG. 35