

[54] **CORNER PROTECTOR**

[76] **Inventor: Otto G. Klein, 10703 College, Kansas City, Mo. 64137**

[**] **Term: 14 Years**

[21] **Appl. No.: 51,302**

[22] **Filed: May 19, 1987**

[52] **U.S. Cl. D8/403**

[58] **Field of Search D8/403; 206/586; 248/345.1; 229/DIG. 1**

[56] **References Cited**

U.S. PATENT DOCUMENTS

- D. 49,615 9/1916 Lowy D8/403
- D. 249,314 9/1978 Wilde et al. D8/403
- D. 253,506 11/1979 Vigue D8/403

- 3,030,728 4/1962 Wesman 206/586
- 3,150,854 9/1964 Jamieson 248/345.1

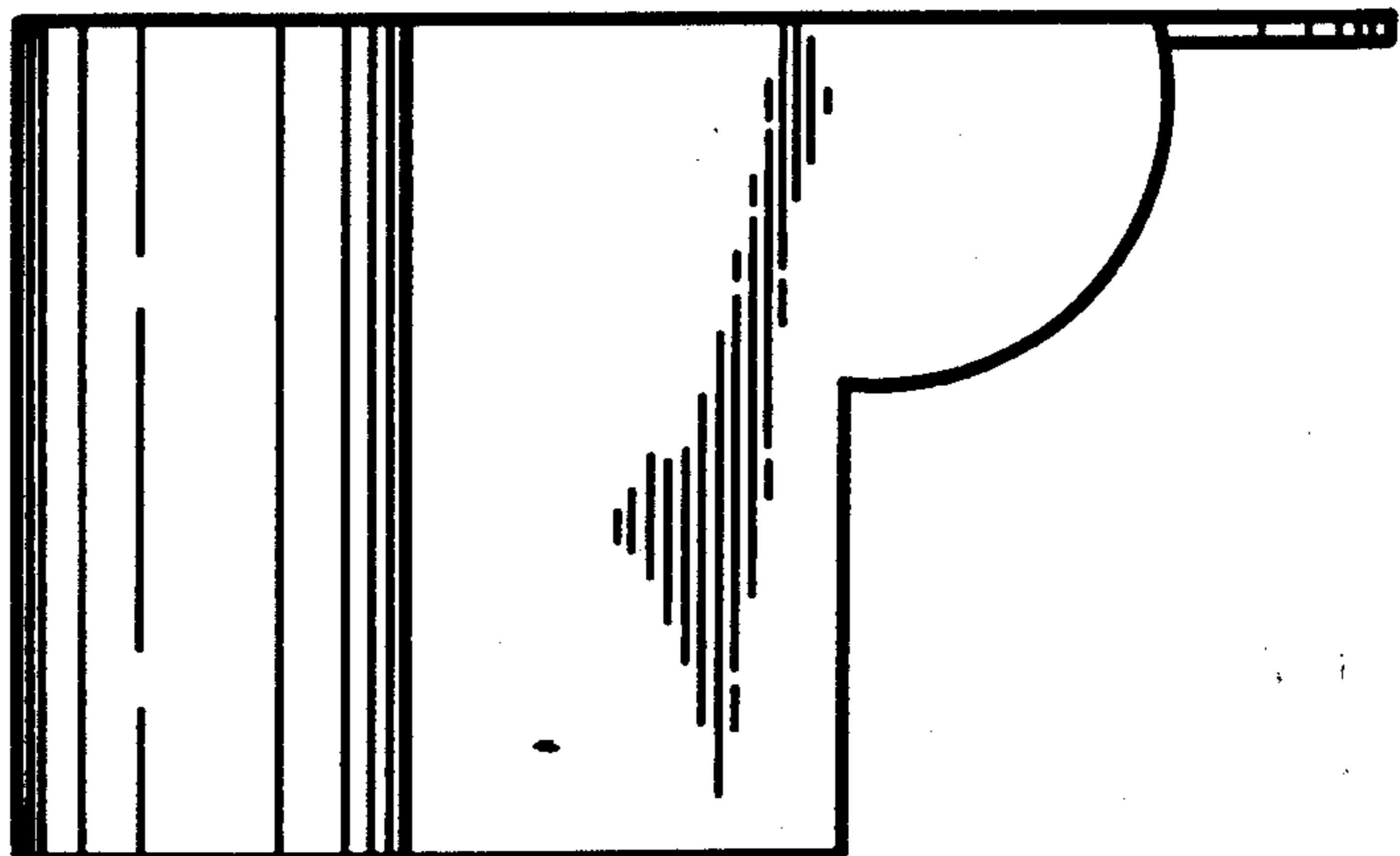
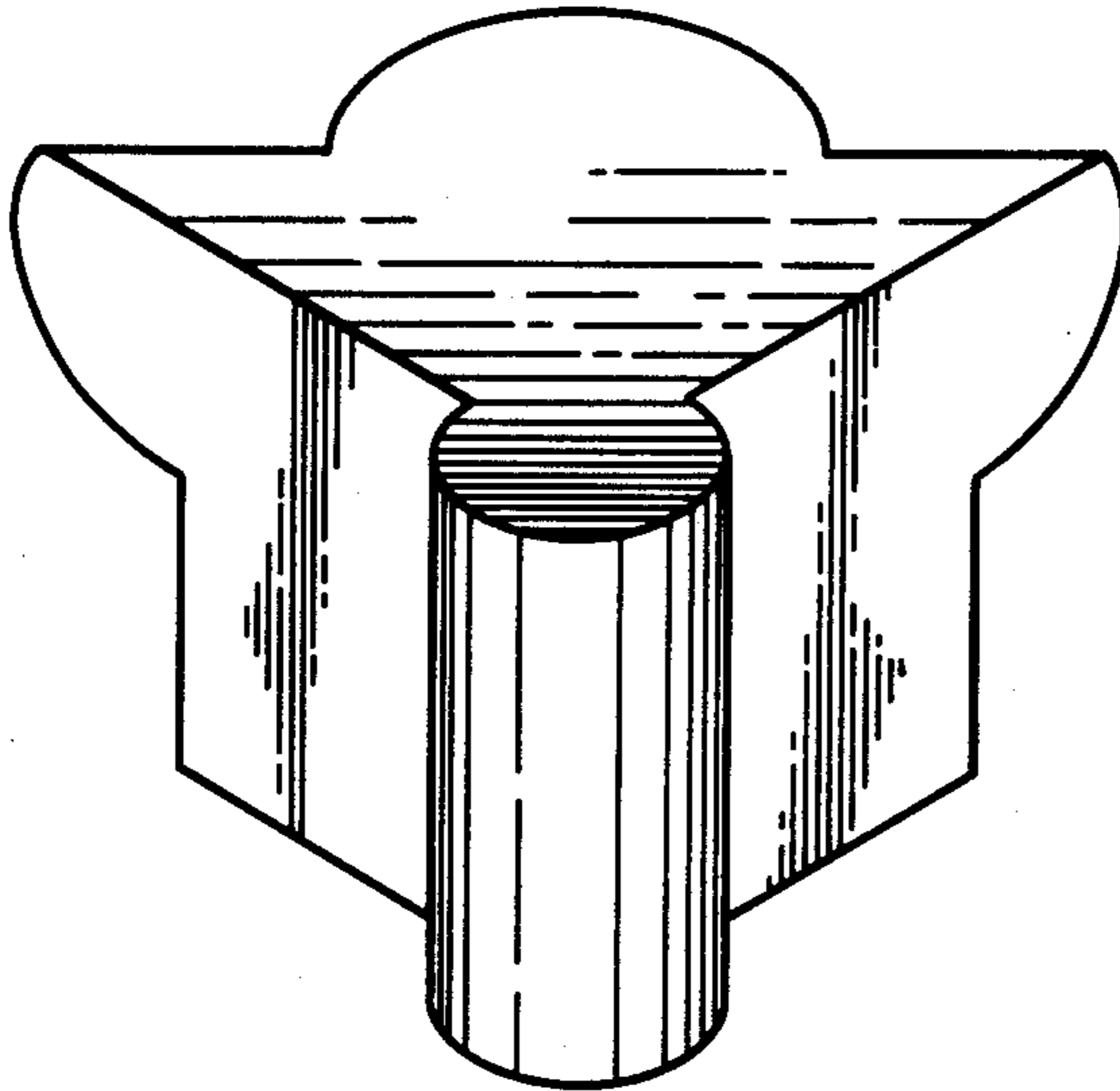
Primary Examiner—B. J. Bullock
Attorney, Agent, or Firm—Lewis A. Thaxton

[57] **CLAIM**

The ornamental design for a corner protector, as shown and described.

DESCRIPTION

FIG. 1 is a top, front perspective view of a corner protector showing my new design;
FIG. 2 is an inverted bottom, rear perspective view thereof;
FIG. 3 is a right side elevational view thereof, the left side being a mirror image;
FIG. 4 is a bottom plan view thereof.



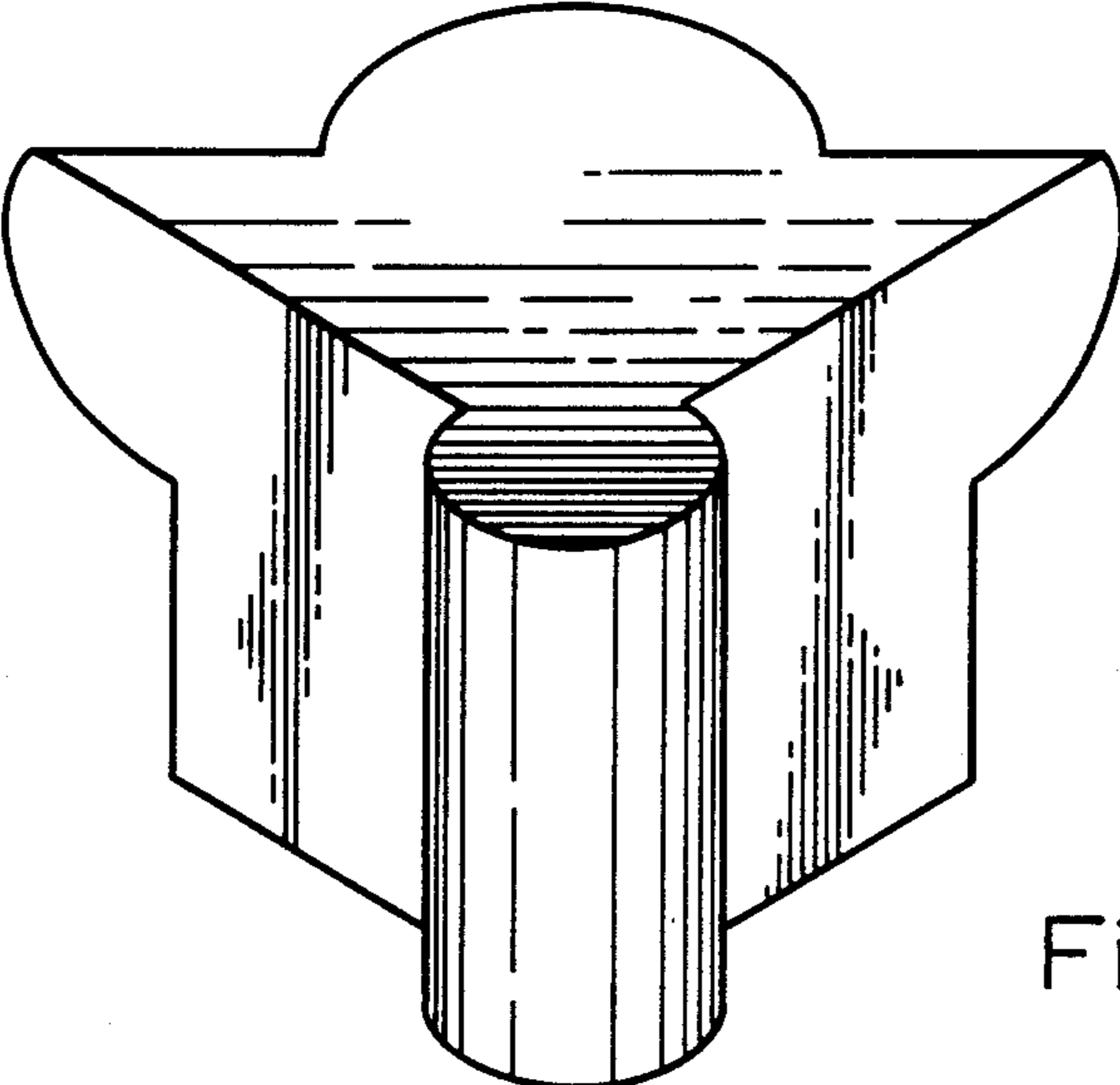


Fig. 1

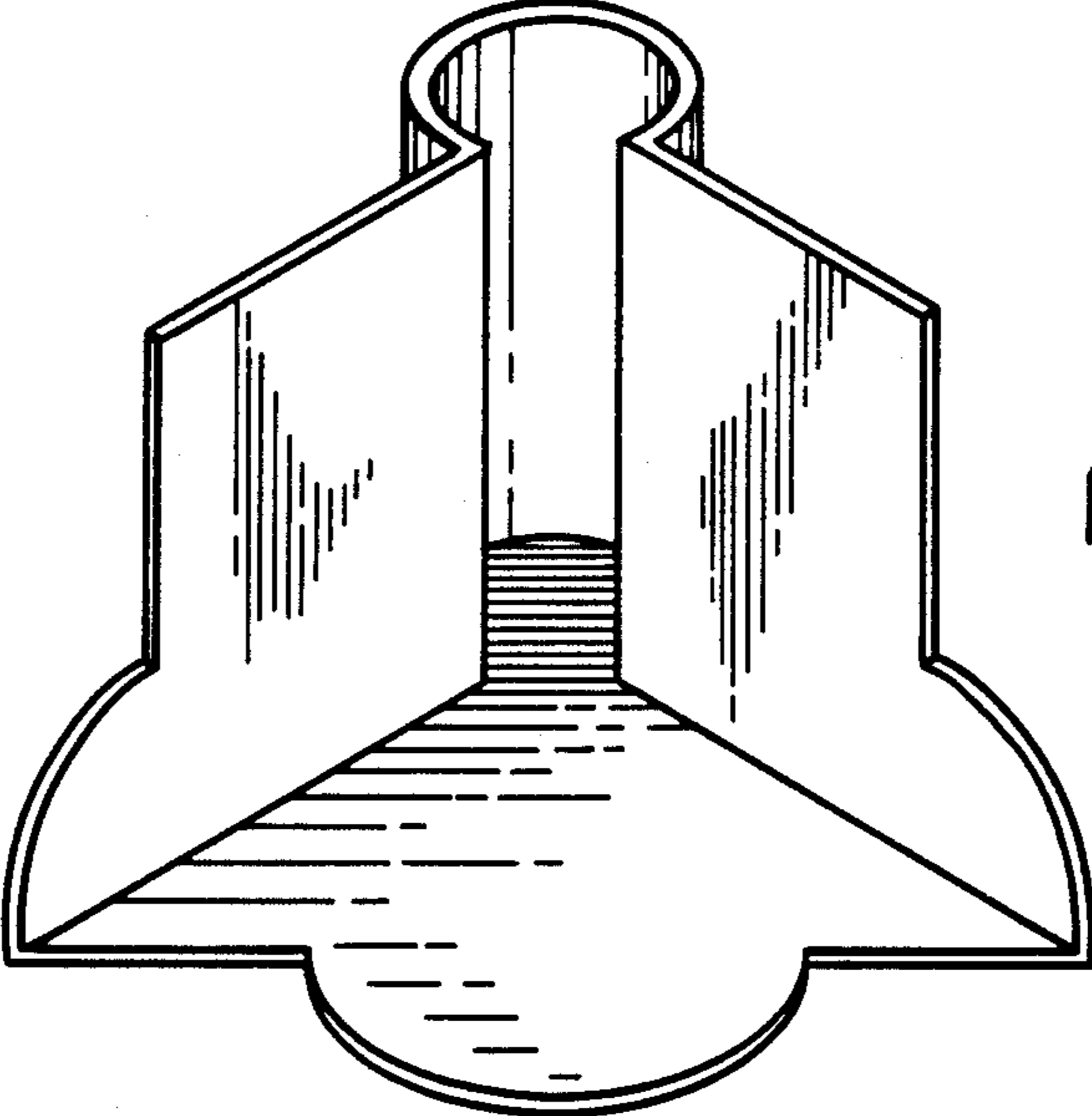


Fig. 2

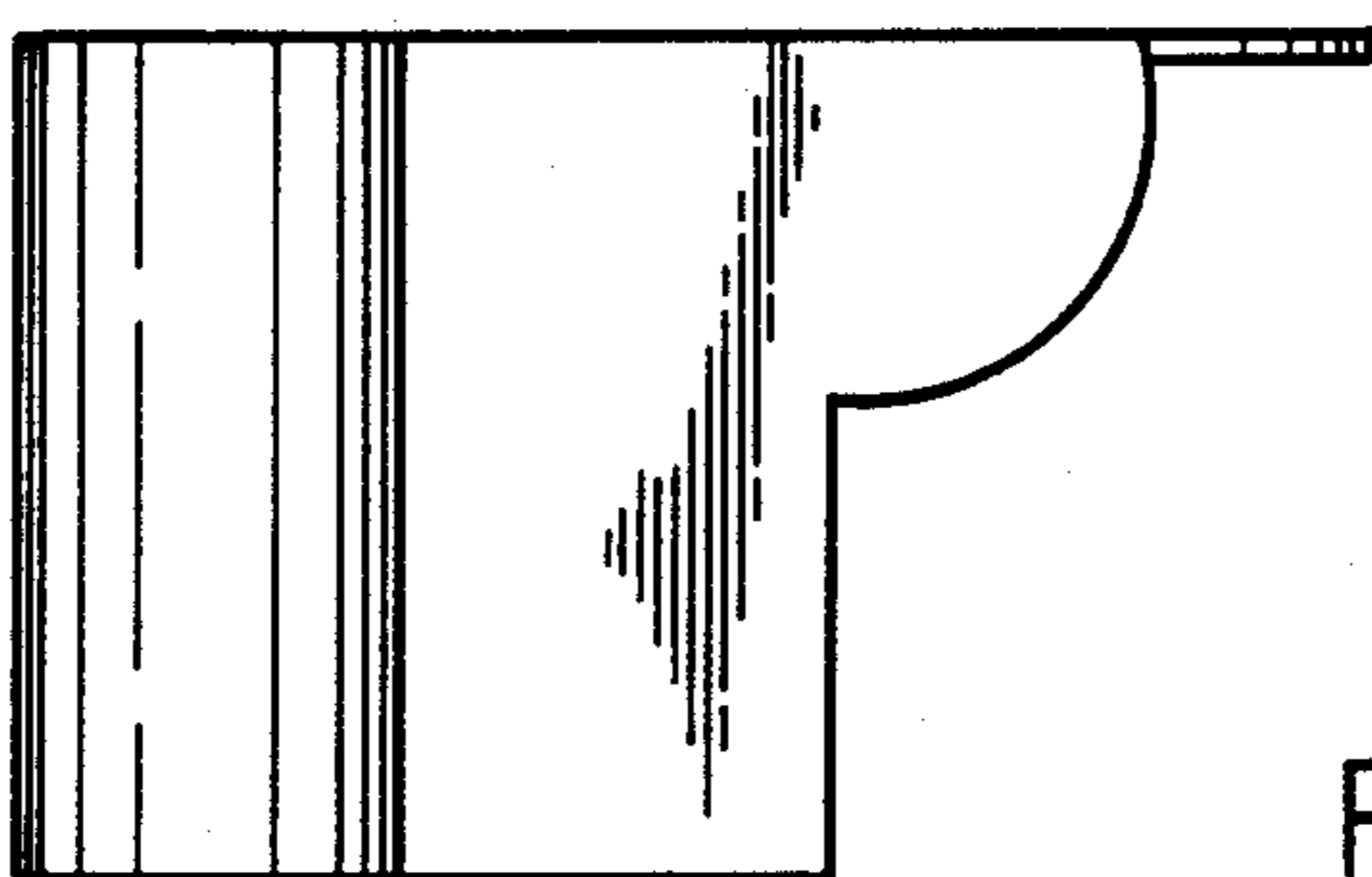


Fig. 3

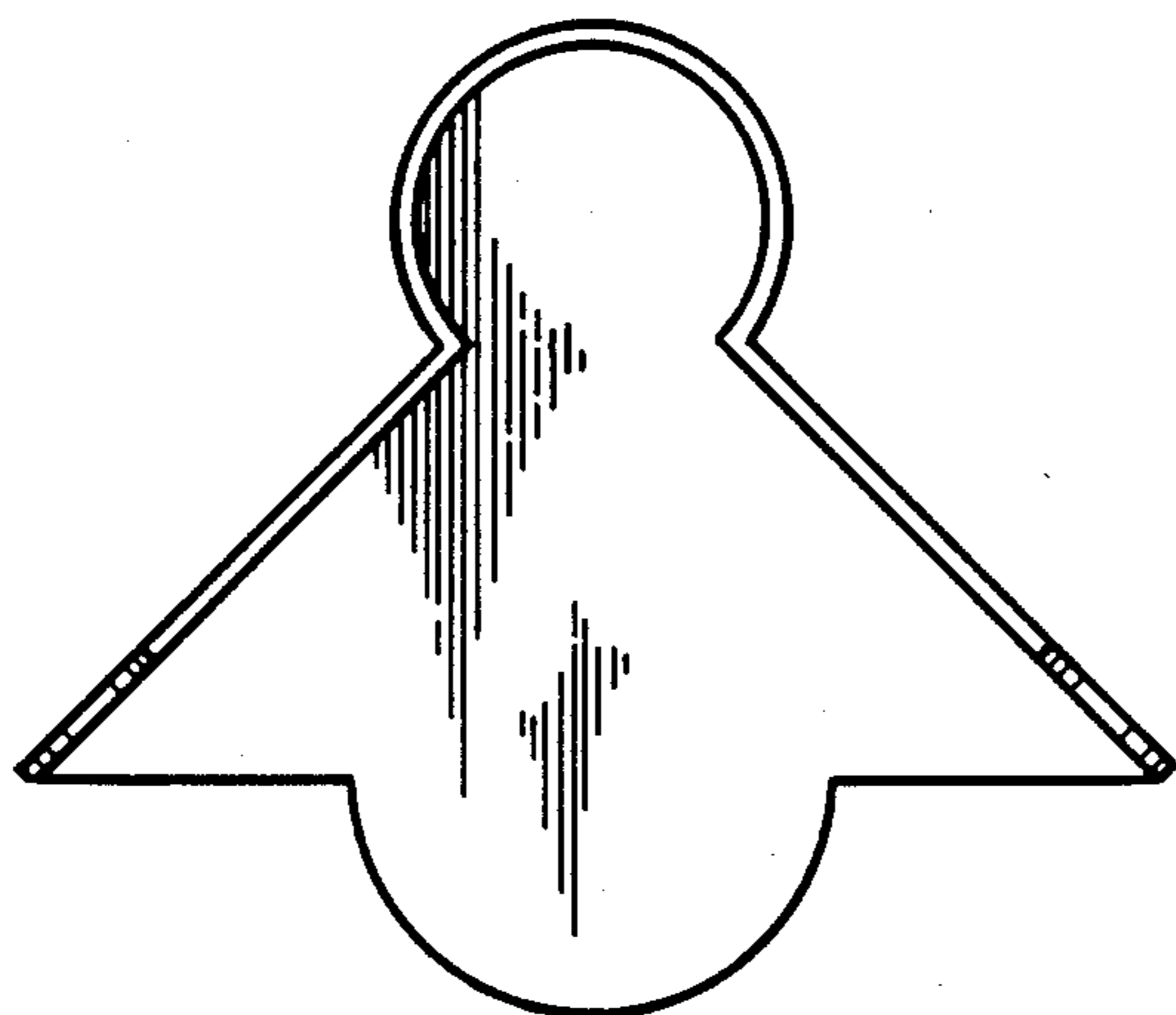


Fig. 4