

[54] GRID CLAMP FOR SUPPORT BEAM OR THE LIKE

[75] Inventors: Neil F. Gill; Gordon H. Alderton, both of Bradford, United Kingdom

[73] Assignee: Lindapter International Limited, West Yorkshire, Great Britain

[**] Term: 14 Years

[21] Appl. No.: 946,295

[22] Filed: Dec. 24, 1986

[52] U.S. Cl. D8/394

[58] Field of Search D8/394; 52/489; 403/387

[56] References Cited

U.S. PATENT DOCUMENTS

D. 231,082	4/1974	Lewis	D8/394
D. 231,599	5/1974	Rumble	D8/394
D. 295,496	5/1988	Burke et al.	D8/394
2,841,255	7/1958	Kemp	52/489
4,367,972	1/1983	Panthout .	
4,759,654	7/1988	Martin et al.	403/387

FOREIGN PATENT DOCUMENTS

0048574	3/1982	European Pat. Off. .
0076096	4/1983	European Pat. Off. .
2106205	8/1972	Fed. Rep. of Germany .
0906240	9/1962	United Kingdom .

Primary Examiner—B. J. Bullock
Assistant Examiner—Dominic Simone
Attorney, Agent, or Firm—Merchant, Gould, Smith, Edell, Welter & Schmidt

[57] CLAIM

The ornamental design for a grid clamp for support beam or the like, as shown and described.

DESCRIPTION

FIG. 1 is a front perspective view of a grid clamp for a support beam, embodying our new design;
FIG. 2 is a top plan view thereof;
FIG. 3 is a front elevational view thereof;
FIG. 4 is a left side view thereof;
FIG. 5 is a right side view thereof;
FIG. 6 is a bottom plan view thereof;
FIG. 7 is a rear elevational view thereof.

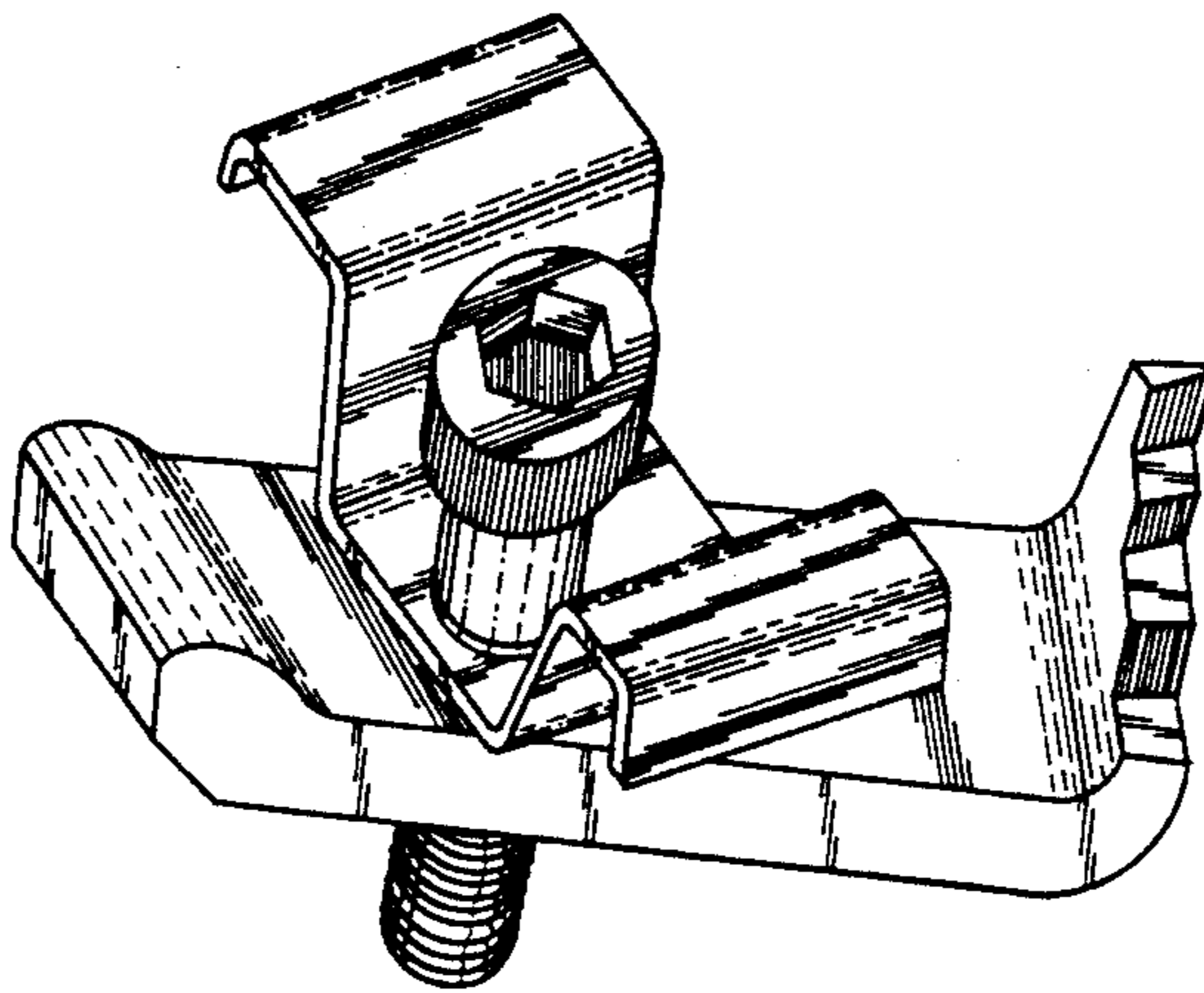


FIG. 1

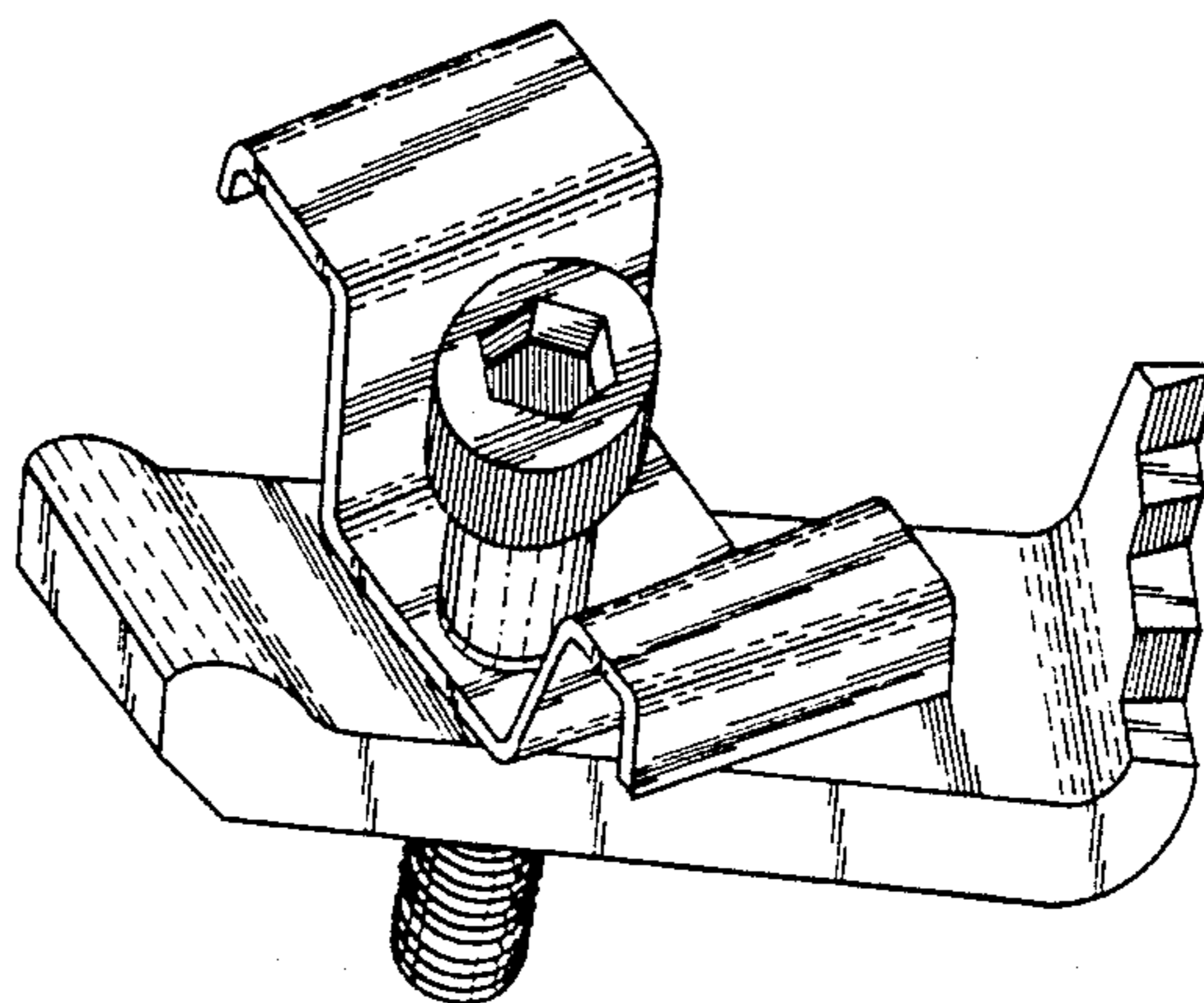


FIG. 2

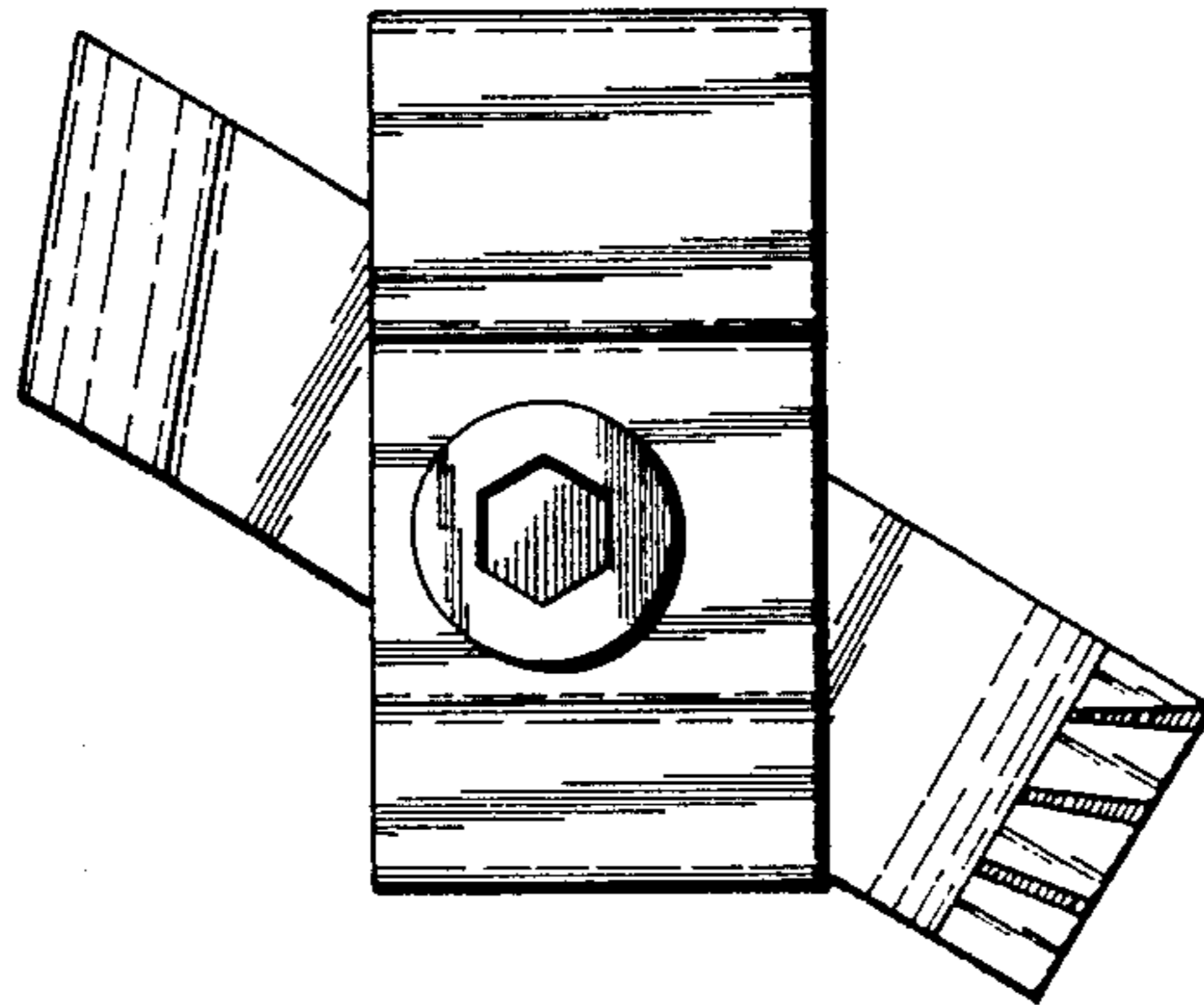


FIG. 3

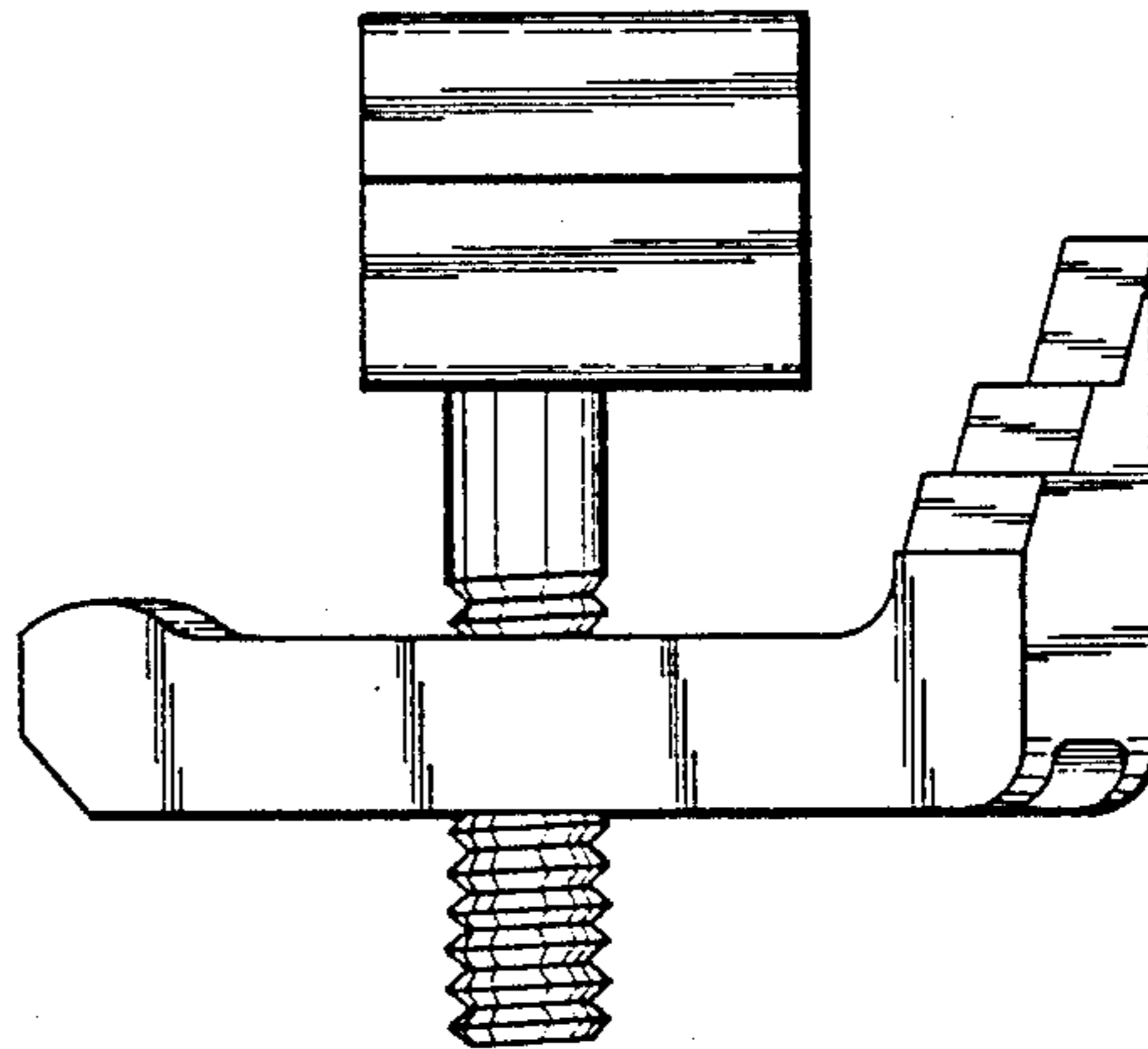


FIG. 4

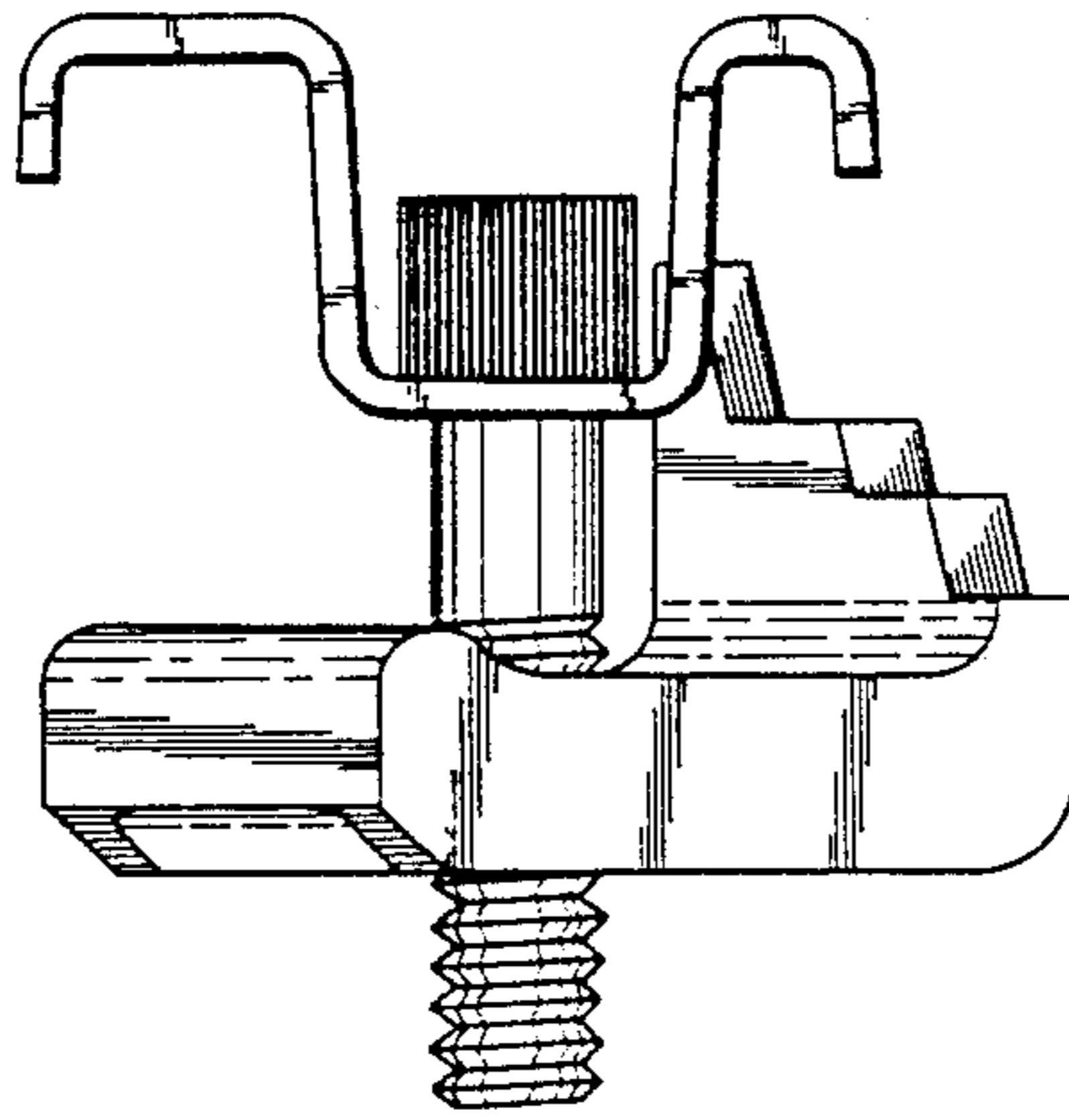


FIG. 5

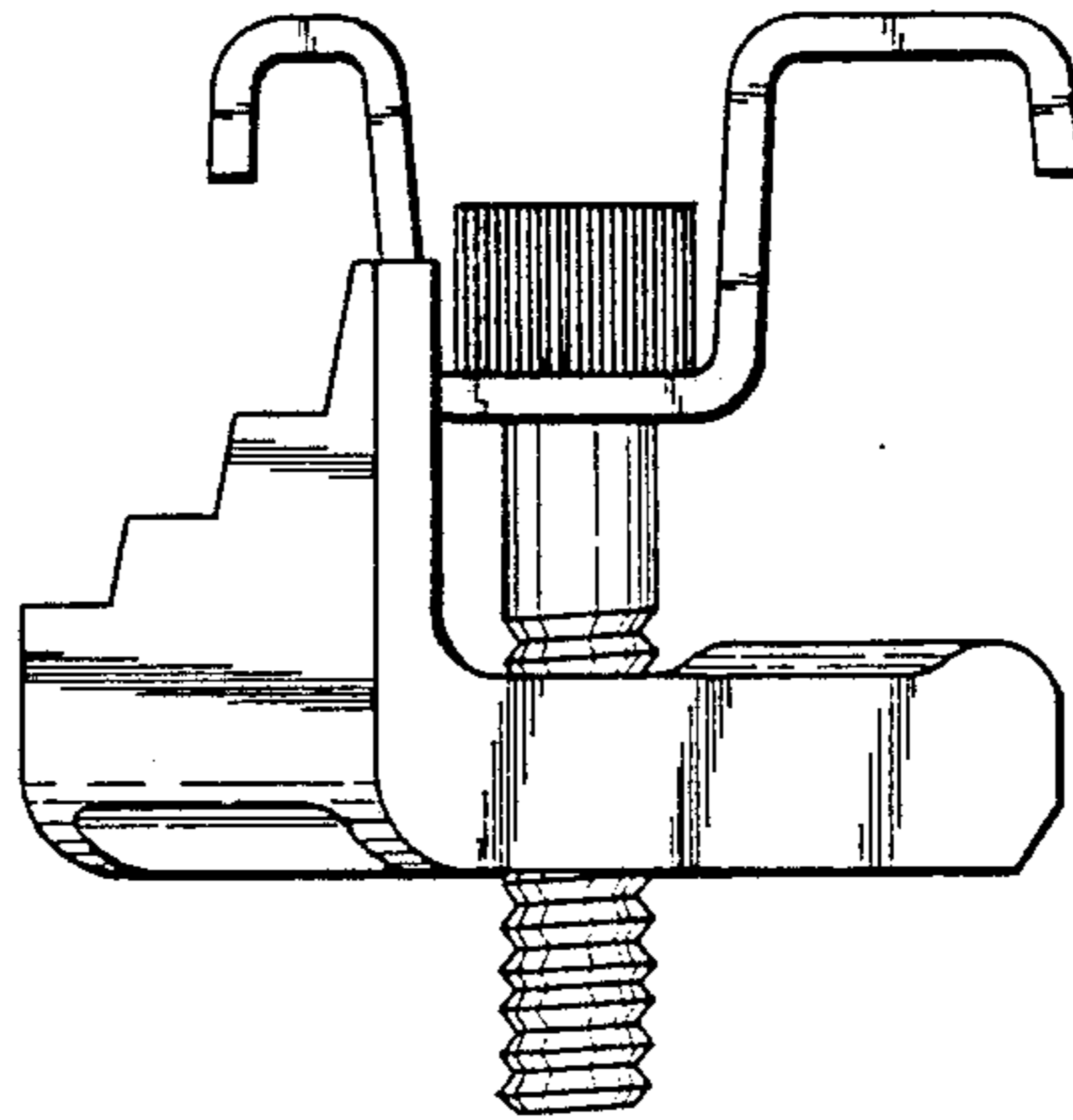


FIG. 6

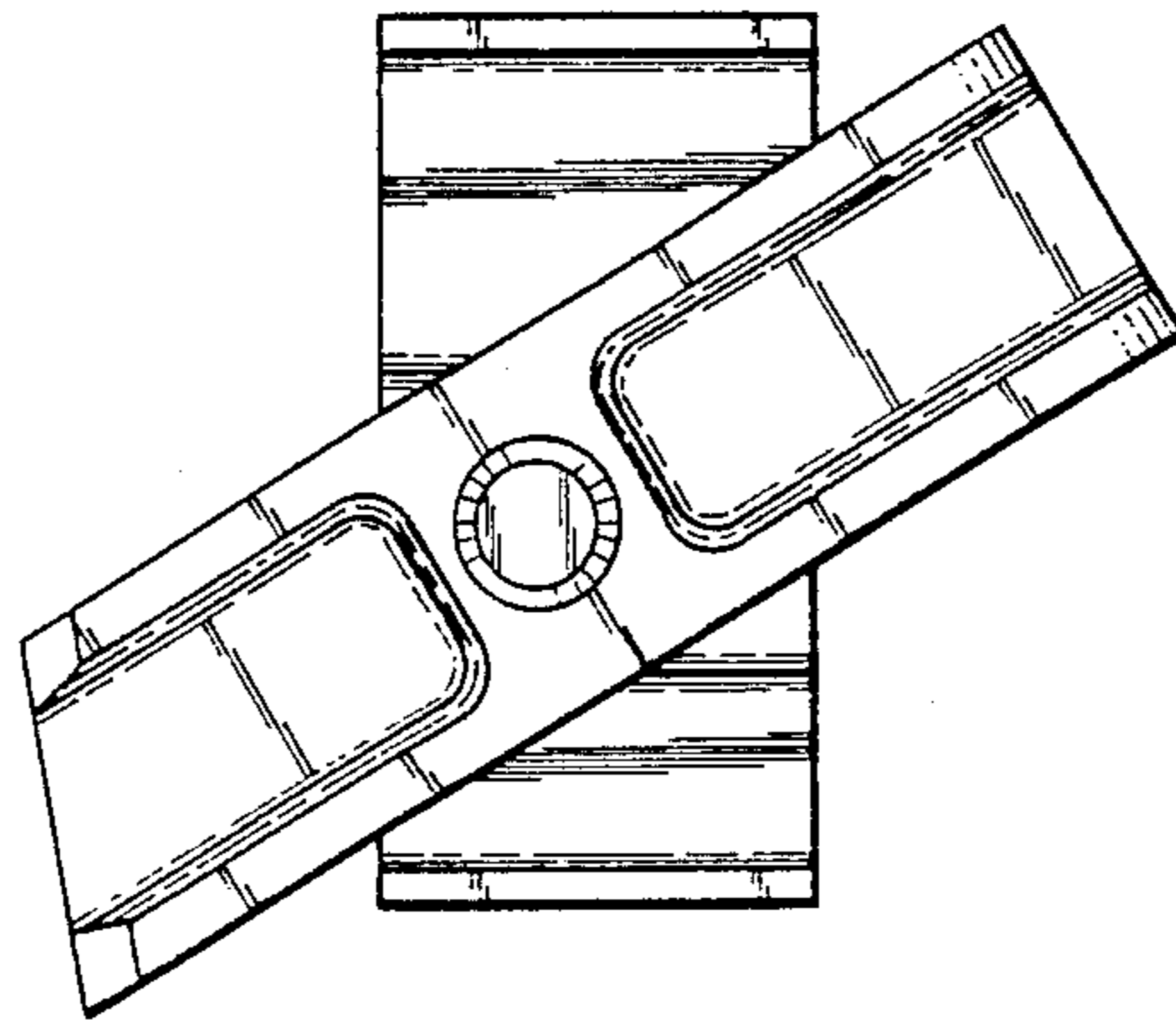


FIG. 7

