

[54] **HOUSINGS FOR LATCHES OR LOCKS**

[75] **Inventors:** **Richard H. Russell, Farmington;**
David W. Kaiser, North Haven;
Richard M. O'Grady, Southington,
all of Conn.

[73] **Assignee:** **The Eastern Company, Cleveland,**
Ohio

[**] **Term: 14 Years**

[21] **Appl. No.: 72,282**

[22] **Filed: Jul. 10, 1987**

[52] **U.S. Cl. D8/321; D8/300;**
D8/313; D8/353; D8/331

[58] **Field of Search D8/300, 302, 306-308,**
D8/313, 322, 330-331, 336, 338, 346, 350, 353;
70/57, 63, 78, 84, 99, 101

| | | | |
|-----------|---------|--------------------|-----------|
| 2,916,905 | 12/1959 | Podlesak | 70/150 |
| 2,987,908 | 6/1961 | Pelcin | 70/146 |
| 3,044,287 | 7/1962 | Pelcin | 70/99 |
| 3,044,814 | 7/1962 | Pelcin | 292/126 |
| 3,055,204 | 9/1962 | Pelcin | 70/153 |
| 3,081,617 | 3/1963 | McKay | 70/153 |
| 3,209,563 | 10/1965 | Pelcin | 70/146 |
| 3,209,564 | 10/1965 | Pelcin | 70/148 |
| 3,338,610 | 8/1967 | Pelcin et al. | 292/126 |
| 3,357,734 | 12/1967 | Pastva, Jr. | 292/165 |
| 3,371,511 | 3/1968 | Atkinson | 70/71 |
| 3,389,932 | 6/1968 | Pastva, Jr. | 292/173 |
| 3,449,005 | 6/1969 | Pastva, Jr. | 292/173 |
| 3,495,862 | 2/1970 | McClintock | 292/173 |
| 3,576,118 | 4/1971 | Doerrfeld | 70/146 |
| 3,668,907 | 6/1972 | Pastva, Jr. | 70/153 |
| 3,707,862 | 1/1973 | Pastva, Jr. | 70/150 |
| 3,743,336 | 7/1973 | Andrews | 292/173 |
| 3,758,140 | 9/1973 | Prete, Jr. | 292/223 |
| 3,782,141 | 1/1974 | Doerrfeld | 70/146 |
| 3,795,416 | 3/1974 | Hehl et al. | 292/336.3 |
| 3,841,674 | 10/1974 | Bisbing et al. | 292/175 |
| 3,850,464 | 11/1974 | Bisbing et al. | 292/175 |
| 3,857,594 | 12/1974 | Pastva, Jr. | 292/27 |
| 3,871,198 | 3/1975 | Miller | 70/146 |
| 4,038,718 | 8/1977 | Reilhac et al. | 16/110 |
| 4,116,027 | 9/1978 | Tannery | 70/472 |
| 4,131,002 | 12/1978 | Gianelo | 70/84 |
| 4,134,281 | 1/1979 | Pelcin | 70/208 |
| 4,138,869 | 2/1979 | Pelcin | 70/151 |
| 4,170,119 | 10/1979 | Kalis, Jr. | 70/221 |
| 4,177,656 | 12/1979 | Davis | 70/84 |
| 4,231,597 | 11/1980 | Pelcin | 292/164 |
| 4,309,884 | 1/1982 | Davis | 70/472 |
| 4,312,202 | 1/1982 | Pastva, Jr. et al. | 70/472 |
| 4,312,203 | 1/1982 | Davis | 70/472 |
| 4,312,204 | 1/1982 | Davis | 70/472 |
| 4,312,205 | 1/1982 | Reed et al. | 70/472 |
| 4,320,642 | 3/1982 | Pastva, Jr. | 70/472 |
| 4,321,812 | 3/1982 | Pelcin | 70/472 |
| 4,335,595 | 6/1982 | Swan et al. | 70/149 |
| 4,370,874 | 2/1983 | Munn | 70/204 |
| 4,413,849 | 11/1983 | Davis et al. | 292/229 |
| 4,420,954 | 12/1983 | Hieronymi et al. | 70/150 |
| 4,438,964 | 3/1984 | Peters | 292/216 |
| 4,465,328 | 8/1984 | Tihanyi et al. | 312/215 |
| 4,492,394 | 1/1985 | Dignan | 292/64 |
| 4,578,968 | 4/1986 | Messier, Jr. | 70/208 |
| 4,671,547 | 6/1987 | Weinerman et al. | 292/197 |
| 4,679,835 | 7/1987 | Weinerman et al. | 292/197 |
| 4,683,736 | 8/1987 | Weinerman et al. | 70/208 |

[56] **References Cited**

U.S. PATENT DOCUMENTS

D. 192,787 5/1962 Dyer D8/313

D. 196,424 10/1963 Are D10/8

D. 210,152 2/1968 Pastva D50/5

D. 210,153 2/1968 Pastva D50/5

D. 218,672 9/1970 Lauper D8/109

D. 219,095 11/1970 Allen, Jr. D8/306

D. 230,132 1/1974 Pastva D8/109

D. 230,945 3/1974 Beckman D8/341

D. 265,965 8/1982 Davis et al. D8/302

D. 270,328 8/1983 Davis et al. D8/302

D. 271,562 11/1983 Weinerman D8/338

D. 292,482 10/1987 Weinerman et al. D8/302

2,317,700 4/1943 Thompson 292/254

2,387,187 10/1945 Smith 70/97

2,594,940 4/1952 Levine 70/66

2,637,585 5/1953 Troche et al. 292/336.3

2,642,300 6/1953 Pelcin 292/173

2,649,322 8/1953 Mack 292/173

2,668,076 2/1954 Troche et al. 292/336.3

2,721,751 10/1955 Holritz 292/169

2,735,706 2/1956 Pelcin 292/34

2,746,784 3/1956 Holritz 292/175

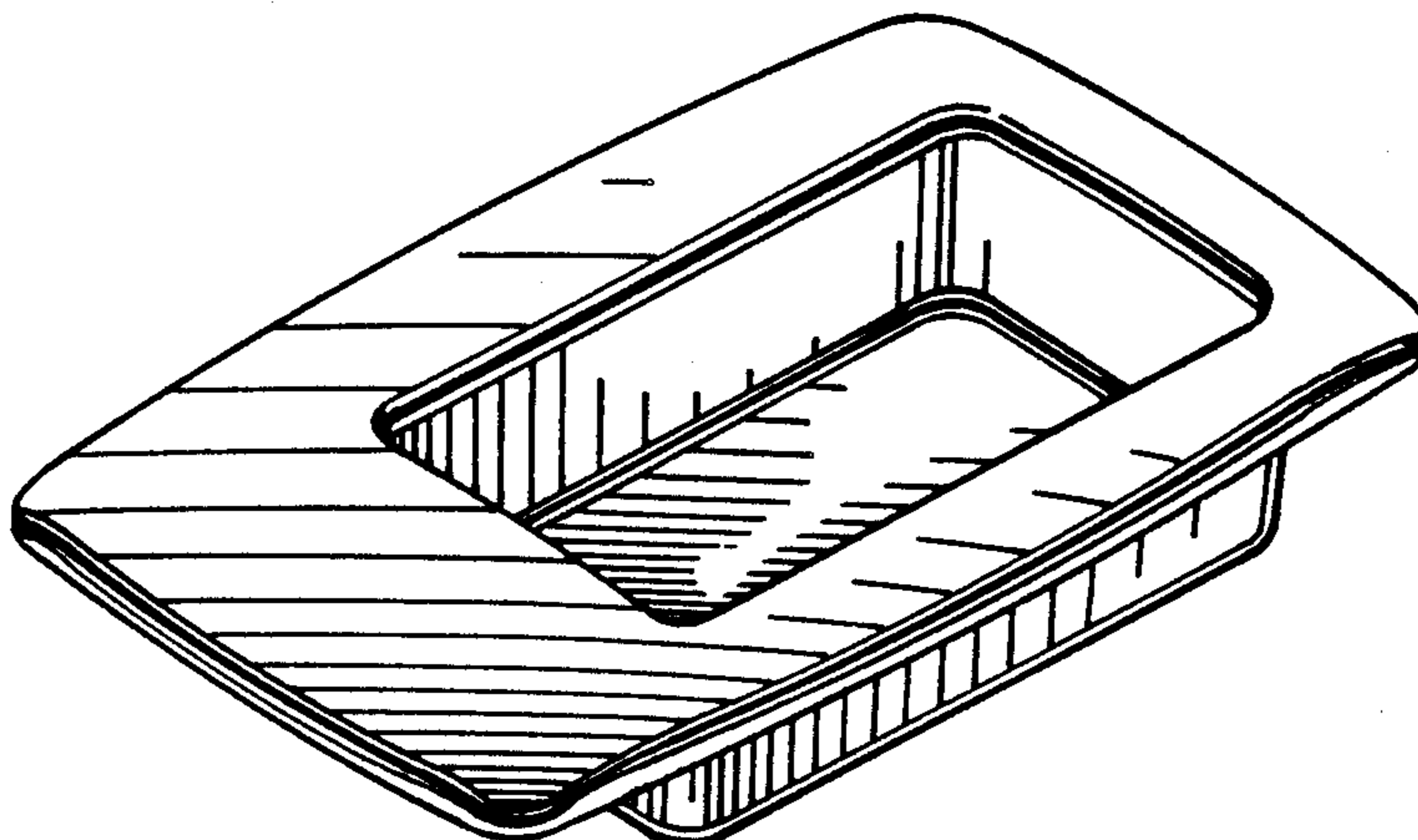
2,763,503 9/1956 Tasch et al. 292/173

2,784,993 3/1957 Collar 292/223

2,840,407 6/1958 Sellon, Jr. 292/169

2,871,048 1/1959 Balogh 292/173

2,900,204 8/1959 Pelcin 292/173



4,706,478 11/1987 Swan et al. 70/208

OTHER PUBLICATIONS

Sweets Catalogue File (1981), Section 8.1-AM, p. 12, Amarlite Door Mid-Panel Latch.
 Eberhard Catalogue No. 103, ©1985, Section 1, p. 102, Latch, top left corner of page.
 Eberhard Catalogue No. 103, ©1985, Section 1, p. 102, Latch, lower left corner of page.
 Eberhard Catalogue No. 103, ©1985, Section 1, p. 28, Single-Point Squeeze Latch.
 Southco Inc., *Southco Fasteners Handbook* 37, Concordville, PA 19331, date unknown.
 Eberhard Manufacturing Co., *Handbook of Latches, Locks, Hinges, Handles, and Related Hardware*, No. 103, Cleveland, OH 44136, 1985.
 Adams Rite Manufacturing Co., *Hardware for Glass Doors That Swing or Slide*, City of Industry, CA 91749, Jan. 1988.

Primary Examiner—Wallace R. Burke

Assistant Examiner—Brian N. Vinson

Attorney, Agent, or Firm—David A. Burge

[57]

CLAIM

The ornamental design for a housings for latches or locks, as shown and described. The ornamental design for a housings for latches or locks, as shown and described.

DESCRIPTION

FIG. 1 is a front perspective view of a housing for latches or locks showing our new design;
 FIG. 2 is a front elevational view thereof;
 FIG. 3 is a rear elevational view thereof;
 FIG. 4 is a bottom plan view thereof;
 FIG. 5 is a top plan view thereof;
 FIG. 6 is a rear perspective view thereof;
 FIG. 7 is a right side elevational view thereof;
 FIG. 8 is a left side elevational view thereof;
 FIG. 9 is a vertical cross-sectional view thereof, taken along line 9—9 of FIG. 2;
 FIG. 10 is a vertical cross-sectional view thereof, taken along line 10—10 of FIG. 3;
 FIG. 11 is a front perspective view of a second embodiment thereof;

FIG. 12 is a front elevational view of the embodiment of FIG. 11;

FIG. 13 is a rear elevational view of the embodiment of FIG. 11;

FIG. 14 is a bottom plan view of the embodiment of FIG. 11;

FIG. 15 is a top plan view of the embodiment of FIG. 11;

FIG. 16 is a front perspective view of a third embodiment thereof;

FIG. 17 is a front elevational view of the embodiment of FIG. 16;

FIG. 18 is a rear elevational view of the embodiment of FIG. 16;

FIG. 19 is a bottom plan view of the embodiment of FIG. 16;

FIG. 20 is a top plan view of the embodiment of FIG. 16;

FIG. 21 is a bottom perspective view of the embodiment of FIG. 16;

FIG. 22 is a right side elevational view of the embodiment of FIG. 16;

FIG. 23 is a left side elevational view of the embodiment of FIG. 16;

FIG. 24 is a vertical cross-sectional view of the embodiment of FIG. 16, taken along line 24—24 of FIG. 17;

FIG. 25 is a vertical cross-sectional view of the embodiment of FIG. 16, taken along line 25—25 of FIG. 18;

FIG. 26 is a front perspective view of a fourth embodiment thereof;

FIG. 27 is a front elevational view of the embodiment of FIG. 26;

FIG. 28 is a rear elevational view of the embodiment of FIG. 26;

FIG. 29 is a bottom plan view of the embodiment of FIG. 26;

FIG. 30 is a top plan view of the embodiment of FIG. 26;

FIG. 31 is a front perspective view of a fifth embodiment thereof;

FIG. 32 is a front elevational view of the embodiment of FIG. 31;

FIG. 33 is a rear elevational view of the embodiment of FIG. 31;

FIG. 34 is a bottom plan view of the embodiment of FIG. 31;

FIG. 35 is a top plan view of the embodiment of FIG. 31;

FIG. 36 is a rear perspective view of the embodiment of FIG. 31;

FIG. 37 is a front elevational view of a sixth embodiment thereof; the only difference from the embodiment of FIG. 31 being the inclusion of a hex tool receiving opening in the operator element;

FIG. 38 is a front elevational view of a seventh embodiment thereof, the only difference from the embodiment

of FIG. 31 being the inclusion of a key receiving opening in the operator element;

FIG. 39 is a front elevational view of eighth embodiment thereof, the only difference from the embodiment of FIG. 31 being the inclusion of a screwdriver receiving groove in the operator element;

FIG. 40 is a front perspective view of a ninth embodiment thereof; and

FIG. 41 is a front elevational view of the embodiment of FIG. 40 the rear, side, top and bottom being mirror images of those of the embodiment of FIG. 1.

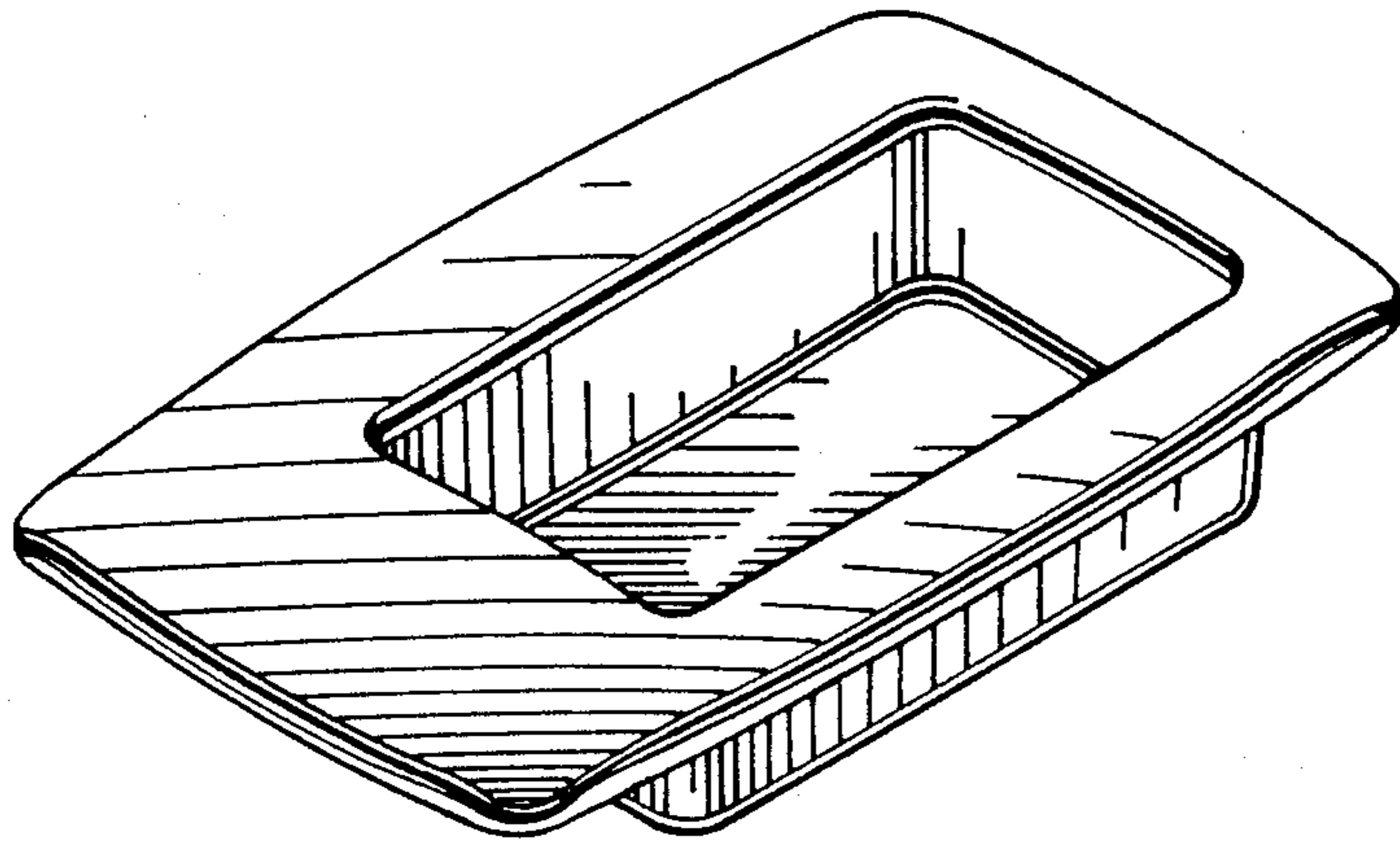


FIG. 1

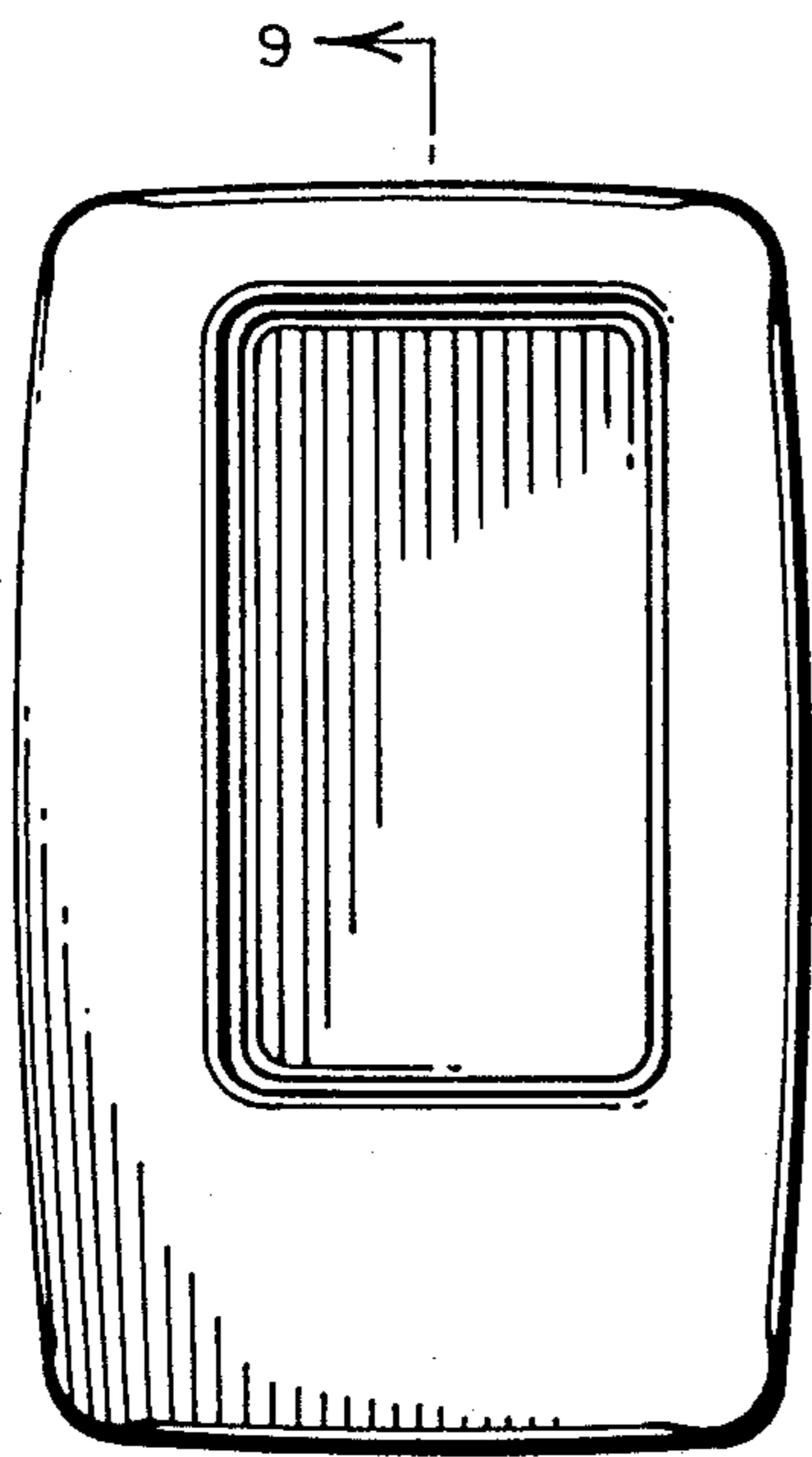


FIG. 2

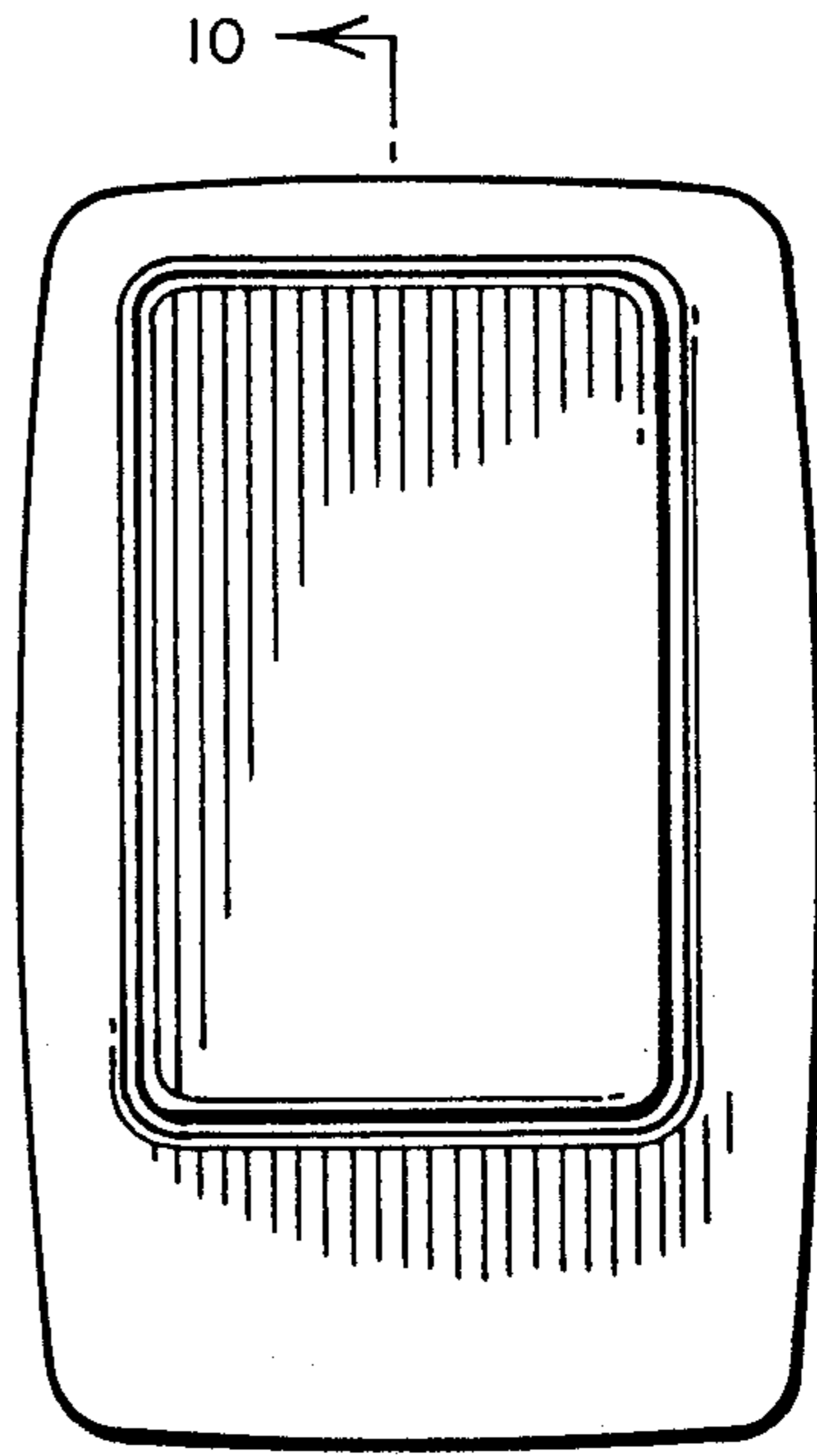


FIG. 3

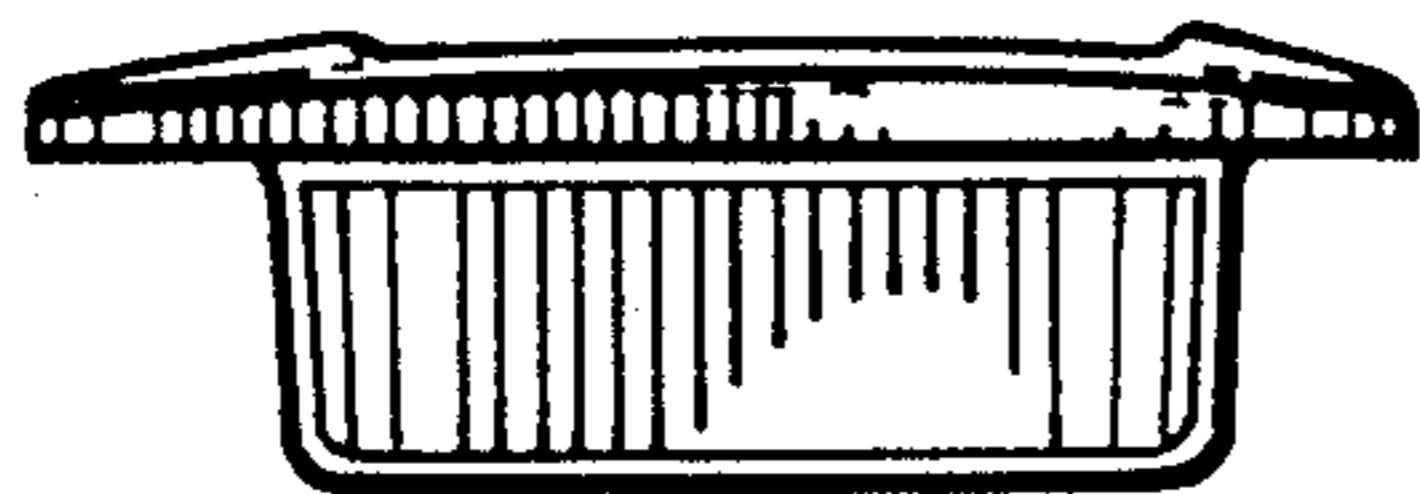


FIG. 4



FIG. 5

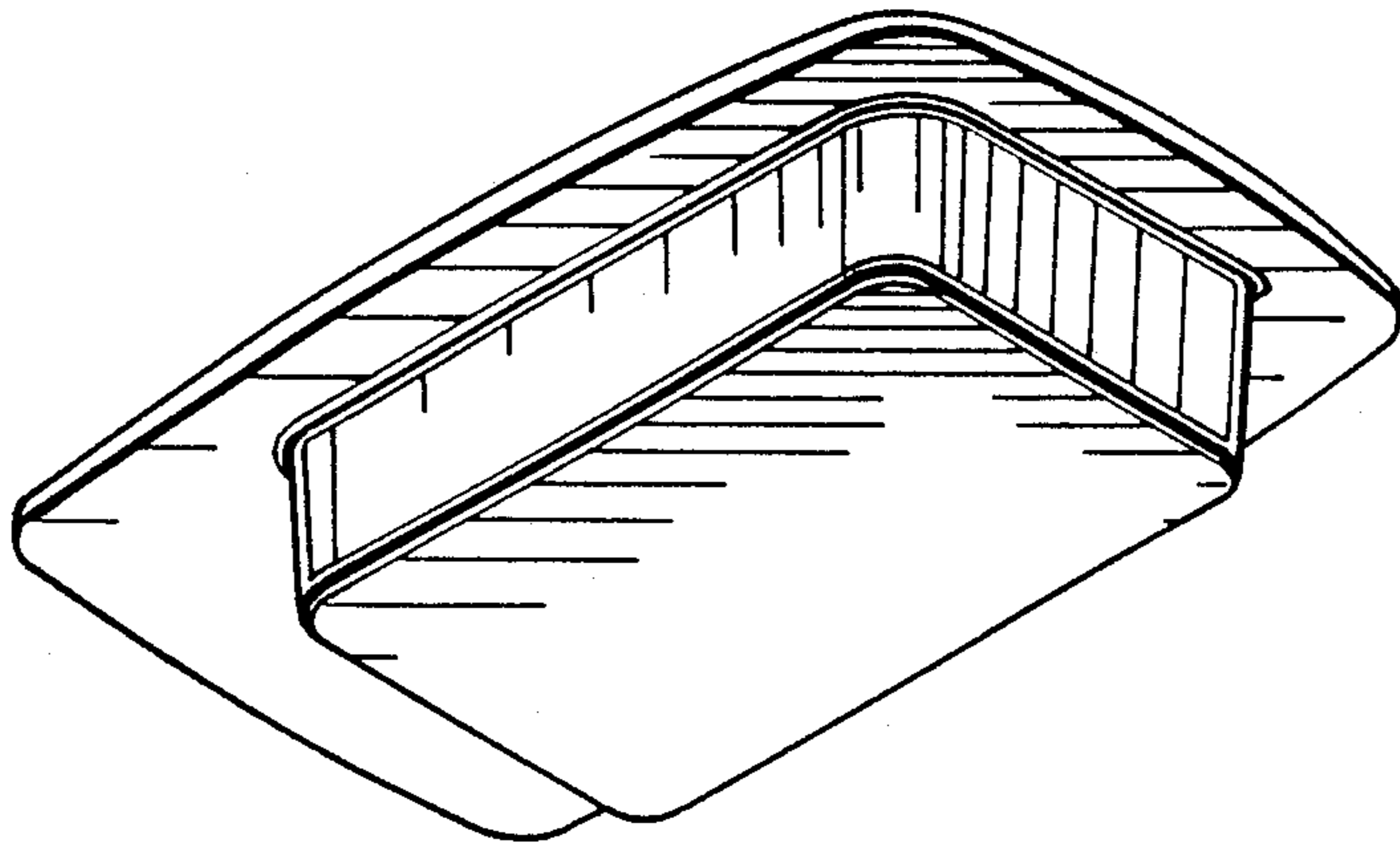


FIG. 6

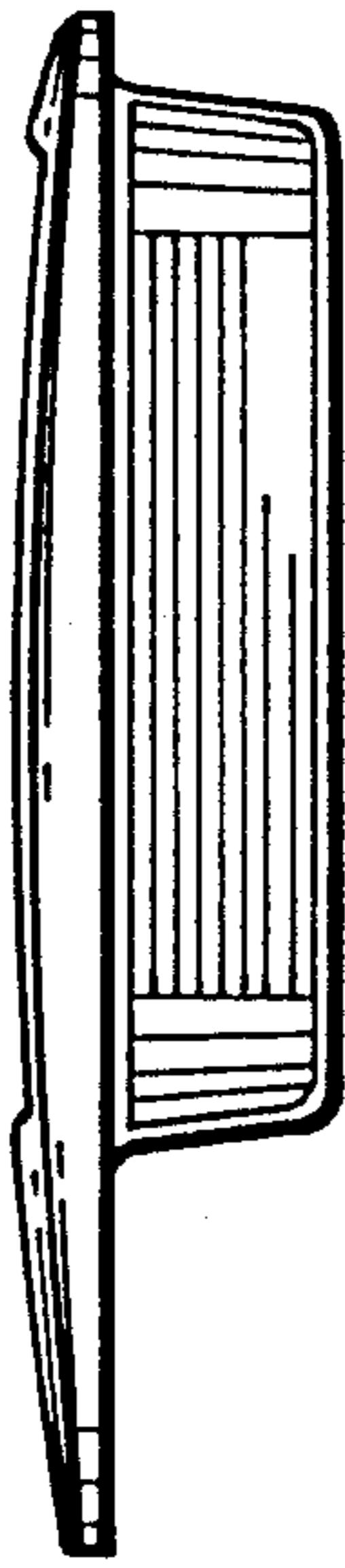


FIG. 7

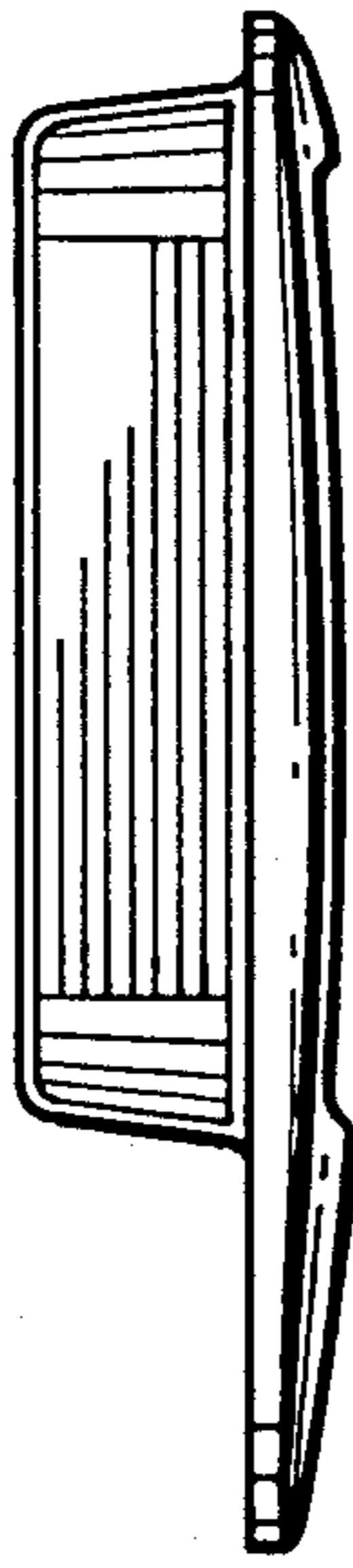


FIG. 8

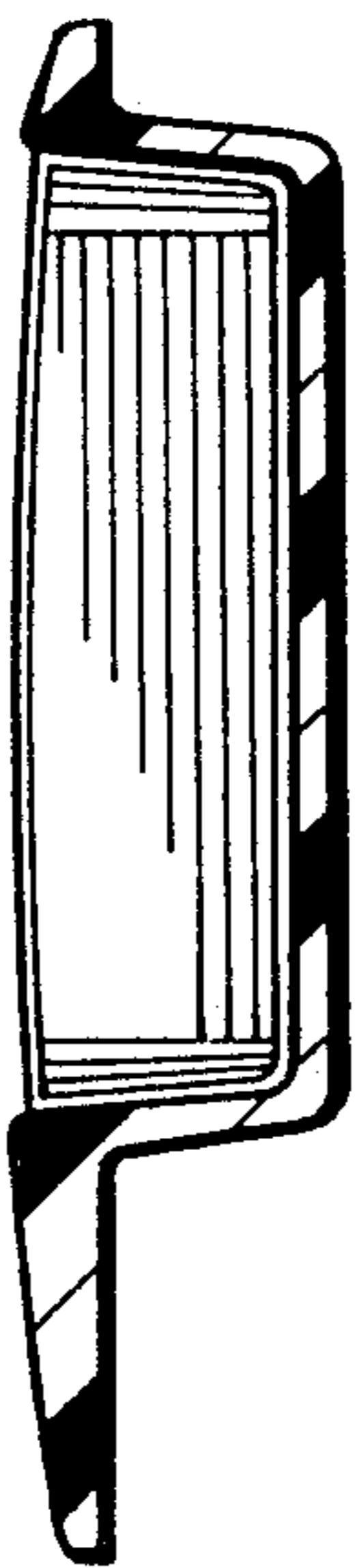


FIG. 9



FIG. 10

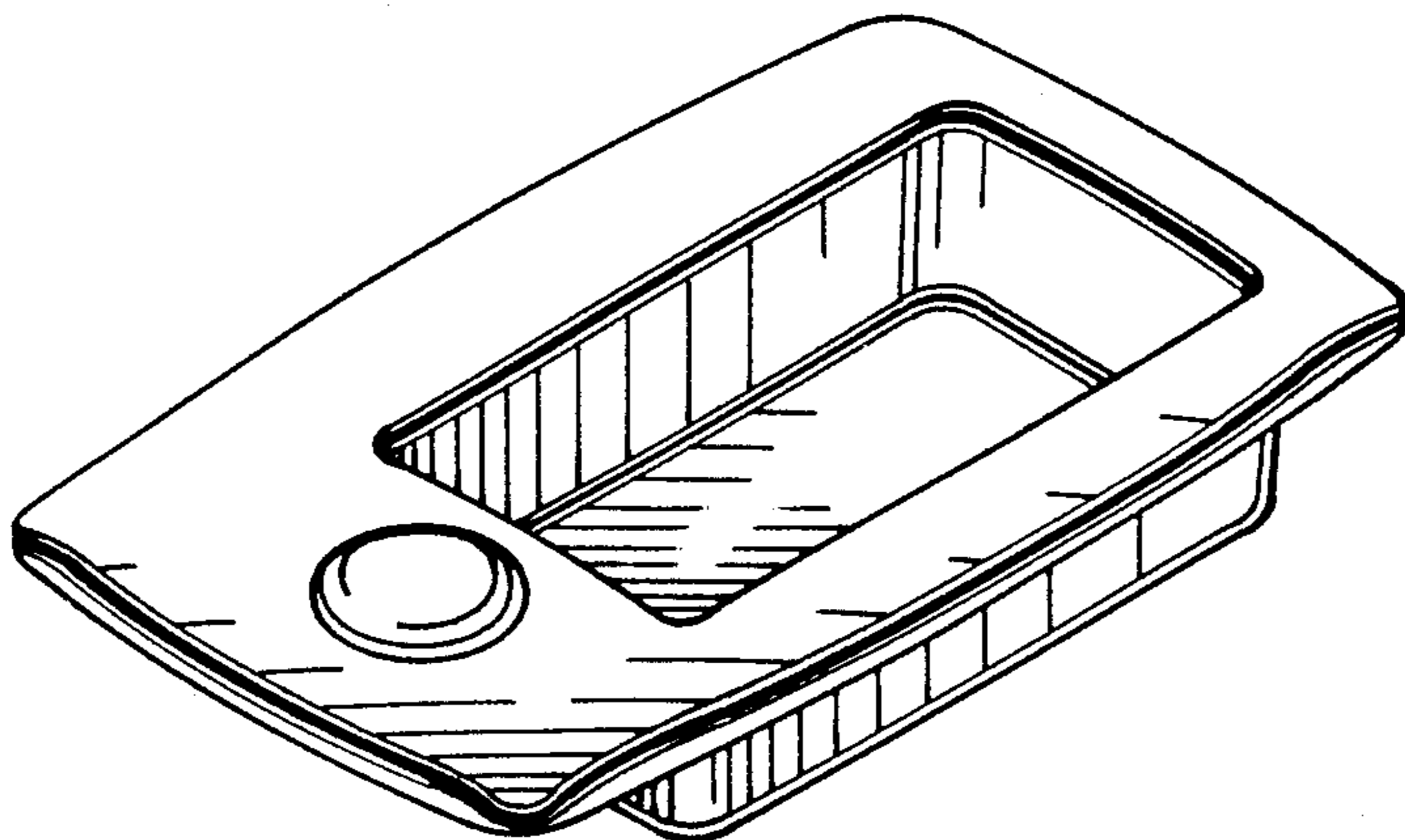


FIG. 11

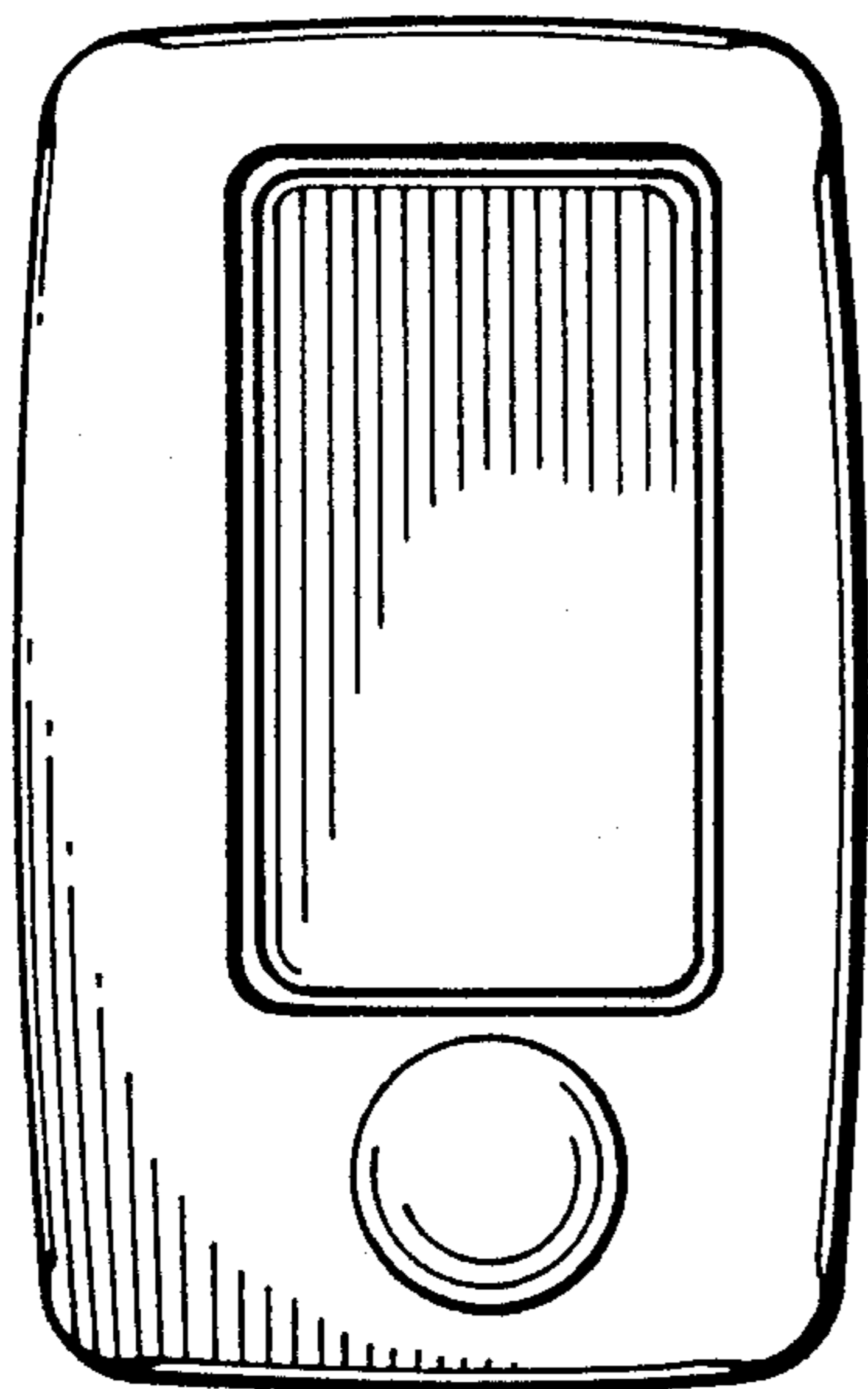


FIG. 12

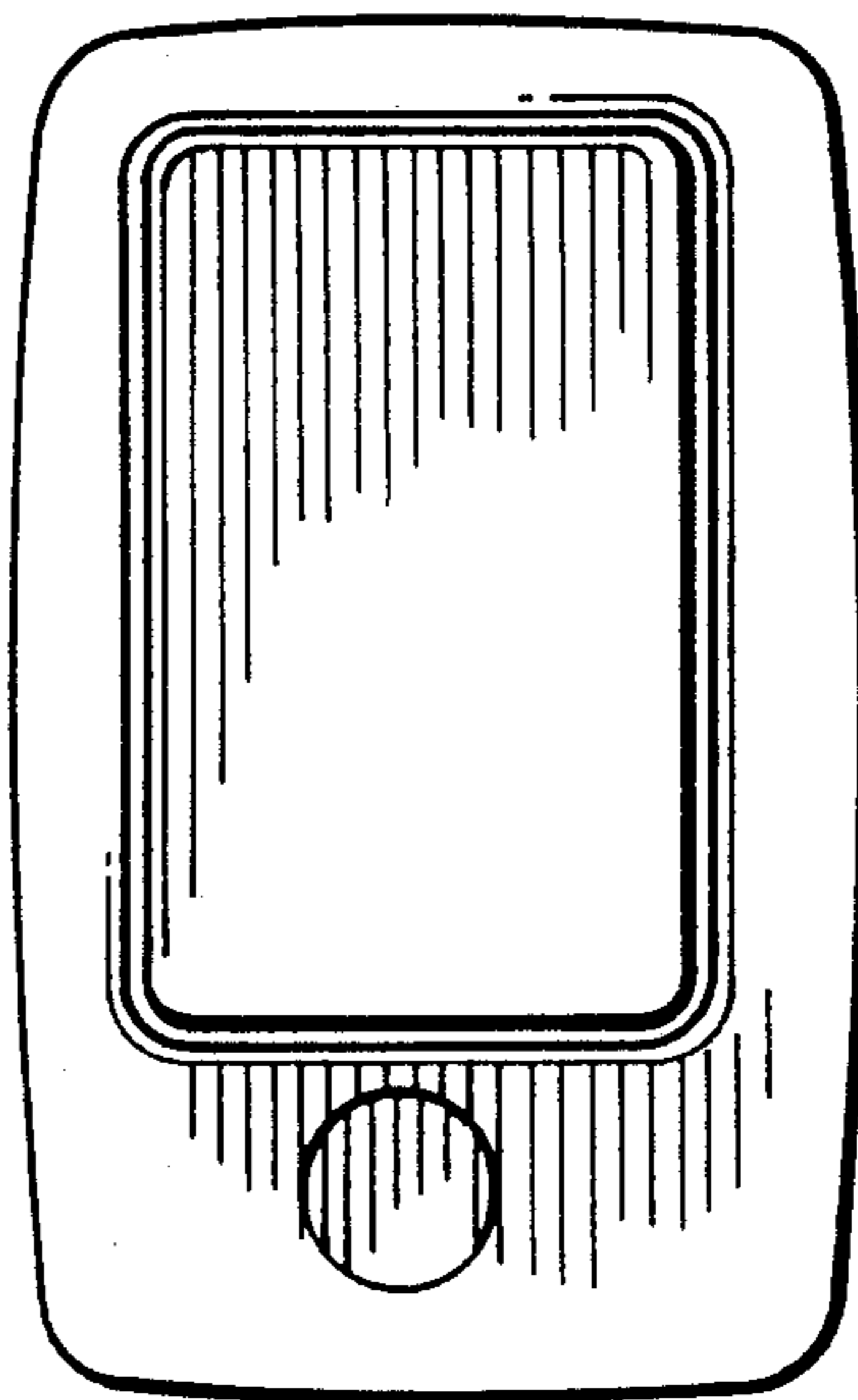


FIG. 13



FIG. 14

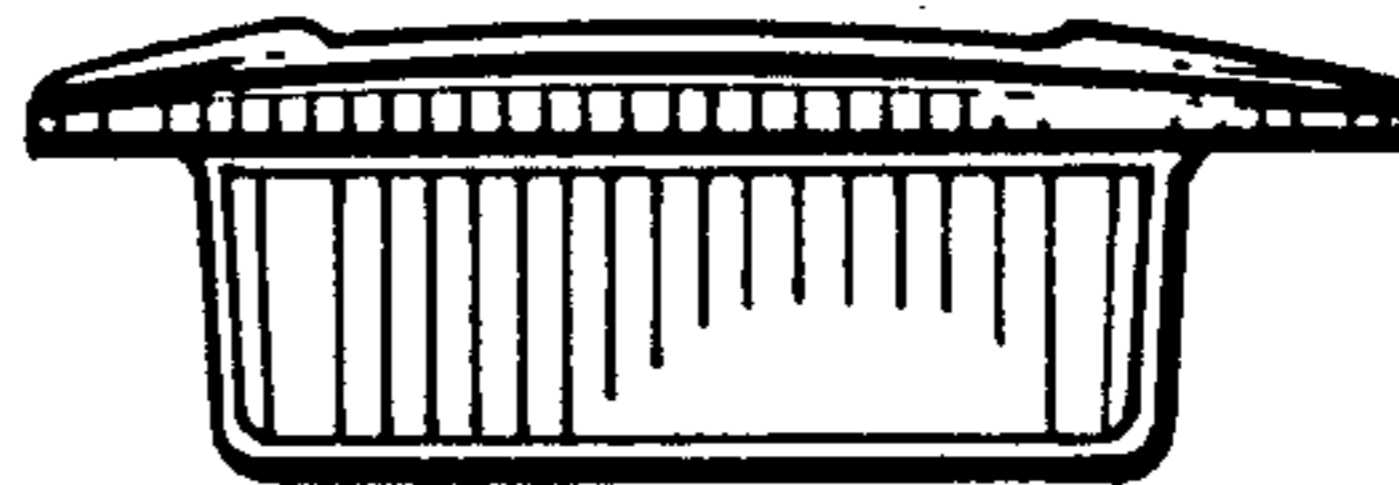


FIG. 15

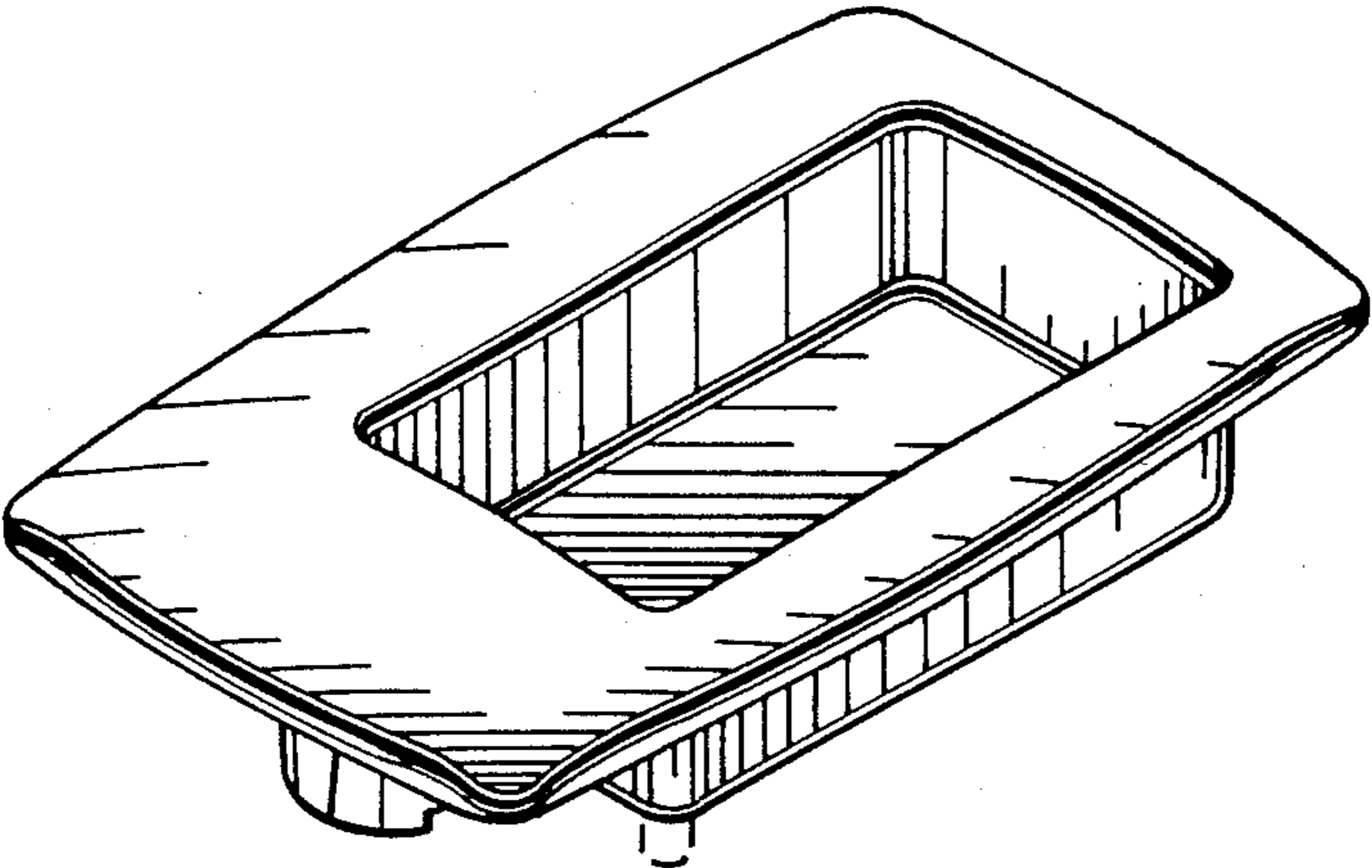
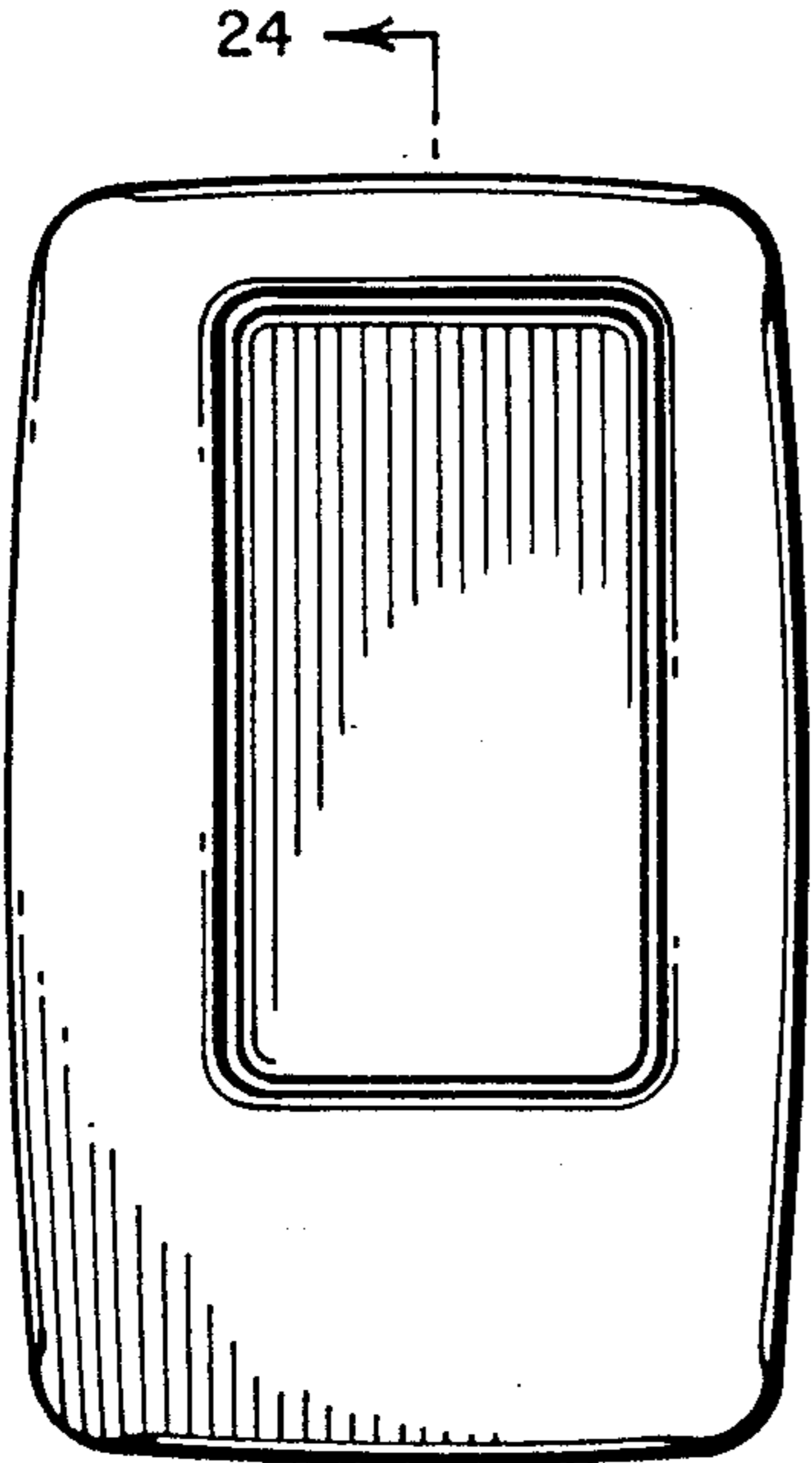
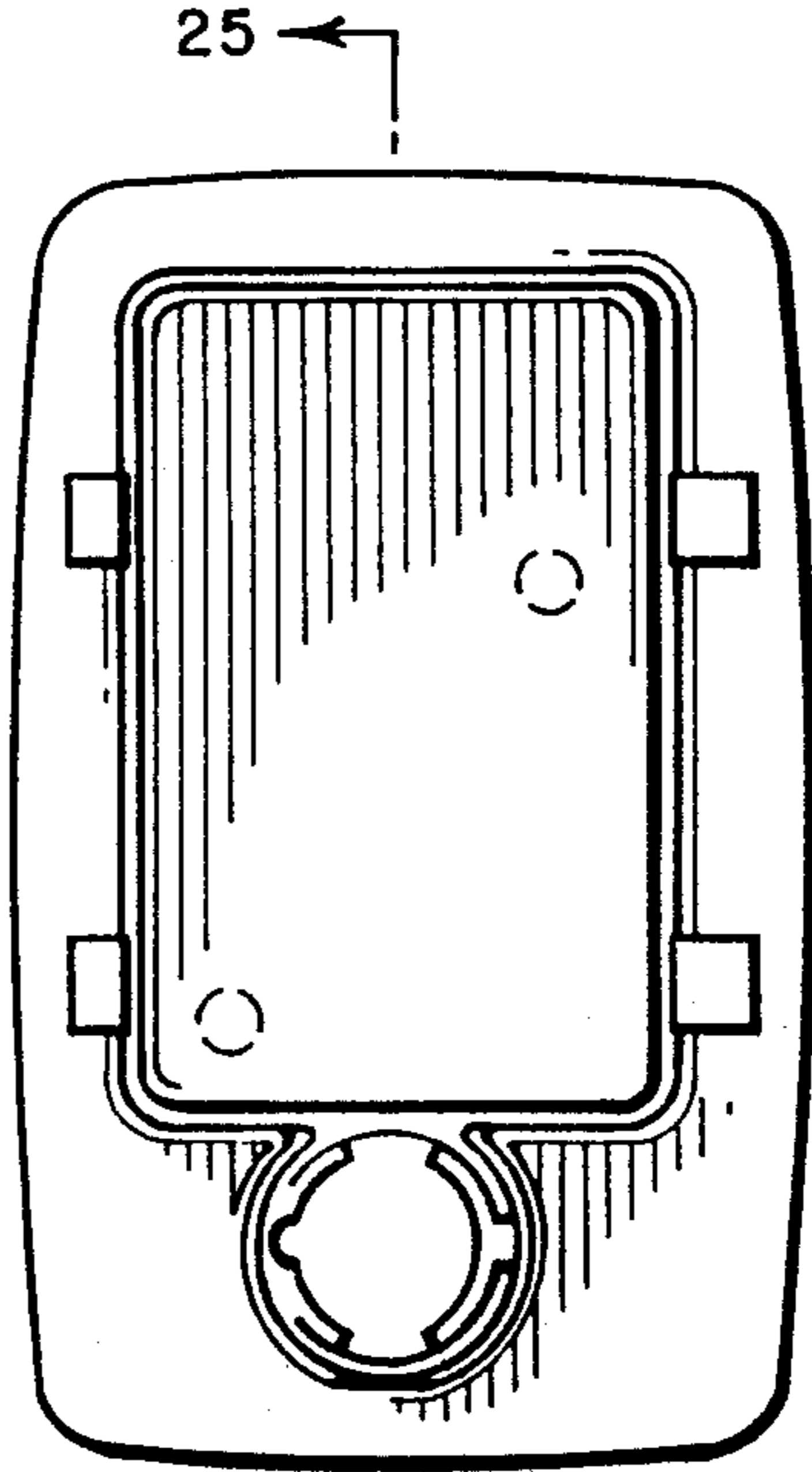


FIG. 16



24
FIG. 17



25
FIG. 18

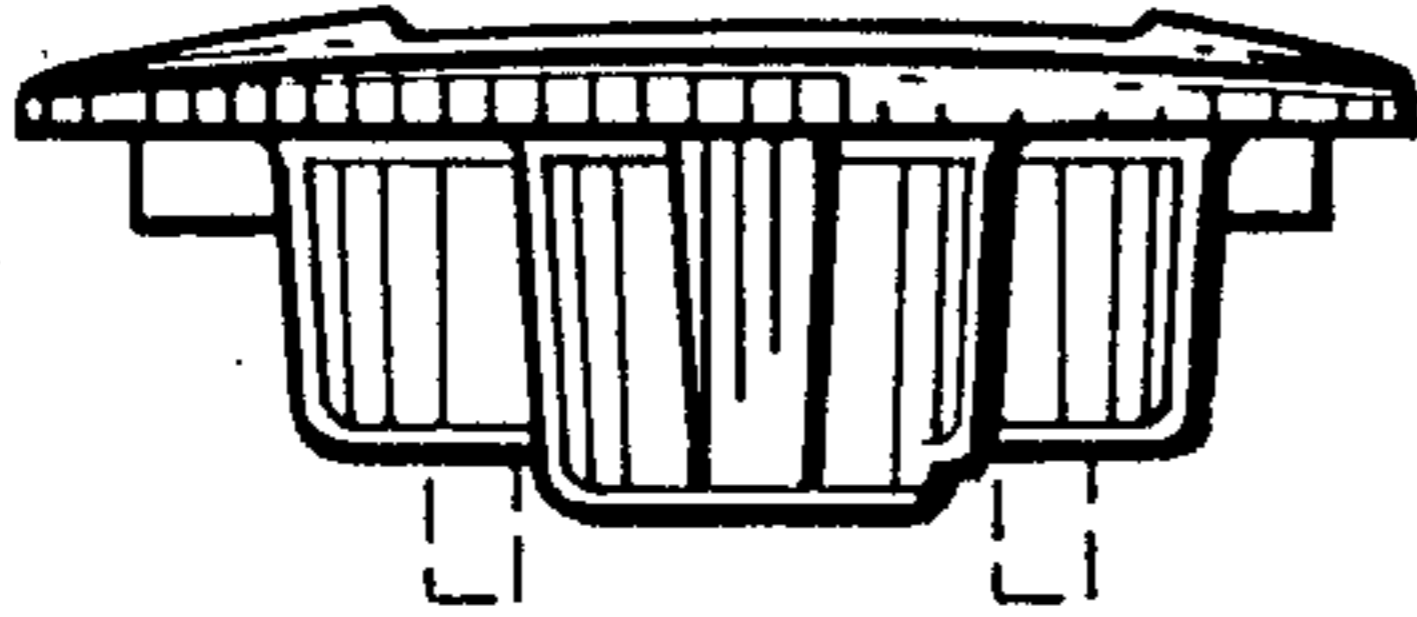


FIG. 19

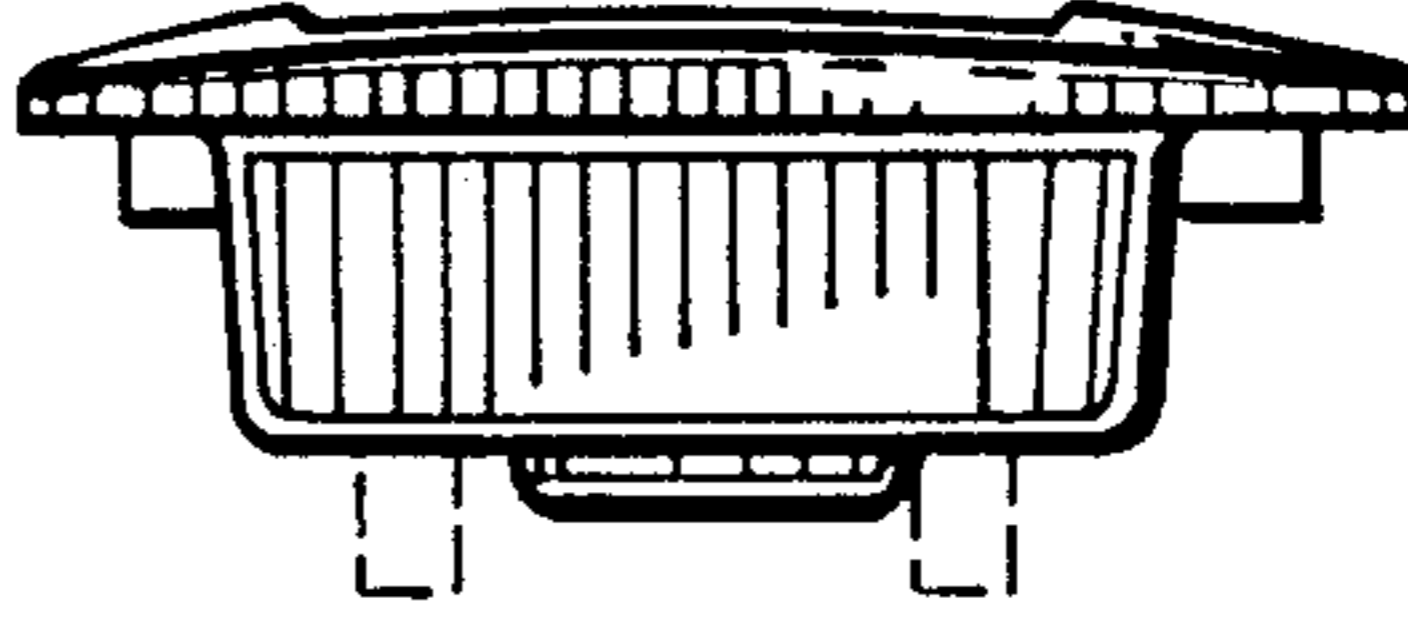


FIG. 20

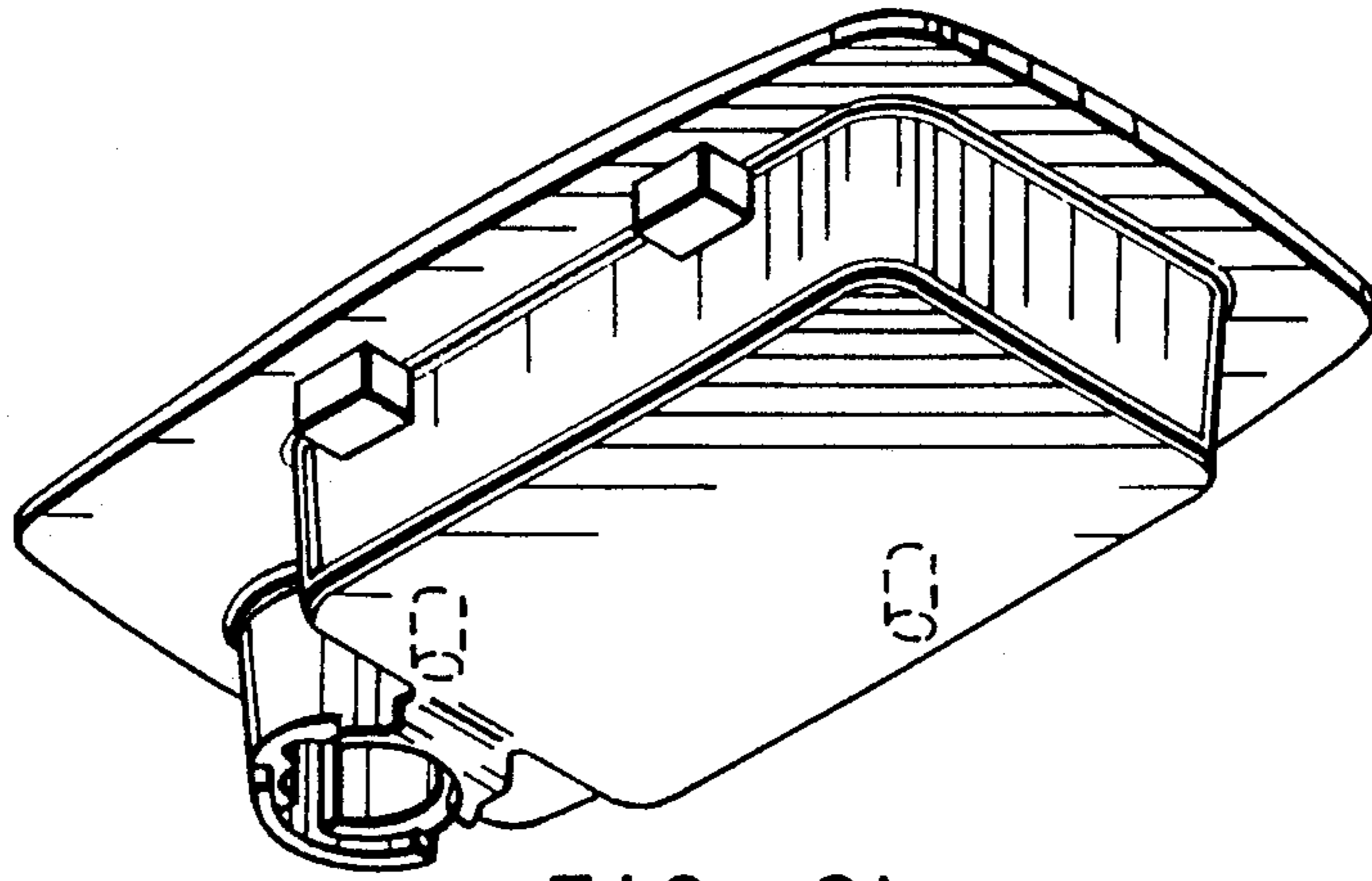


FIG. 21

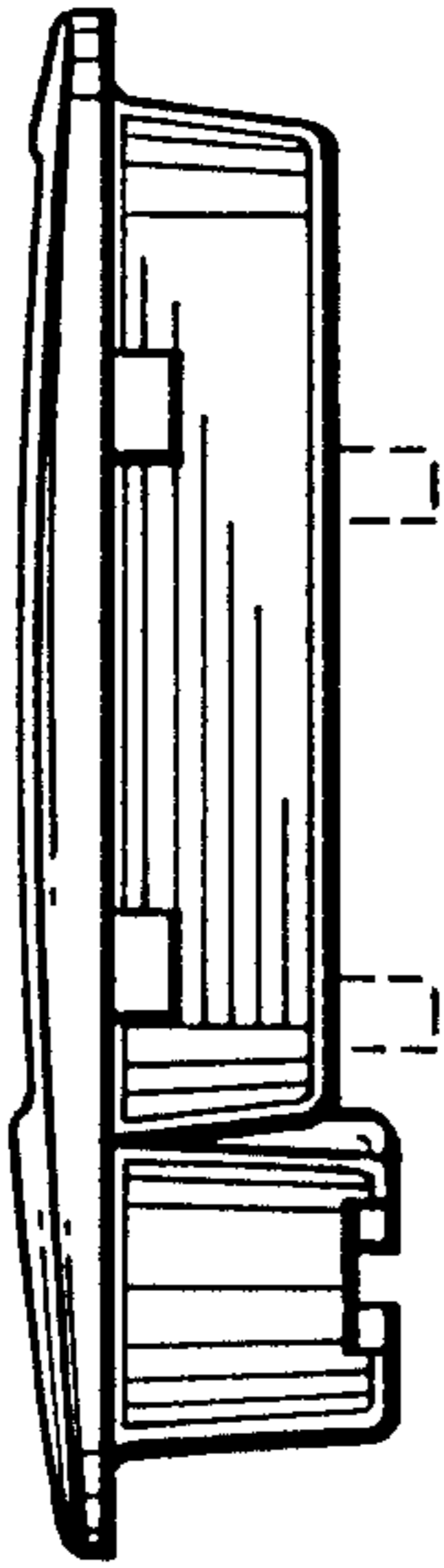


FIG. 22

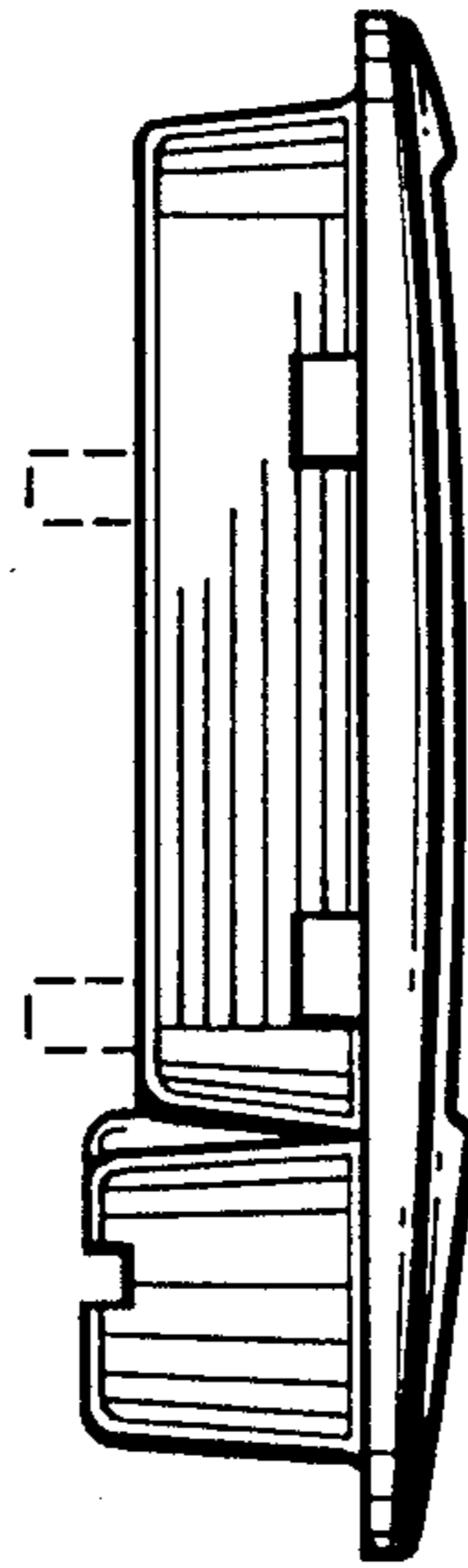


FIG. 23

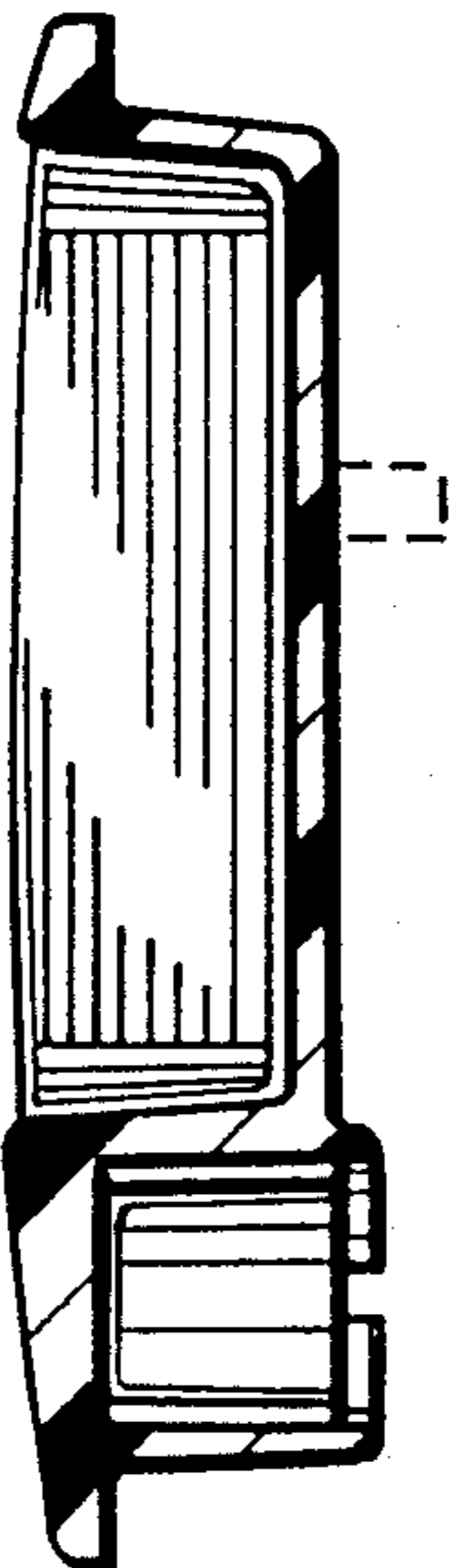


FIG. 24



FIG. 25

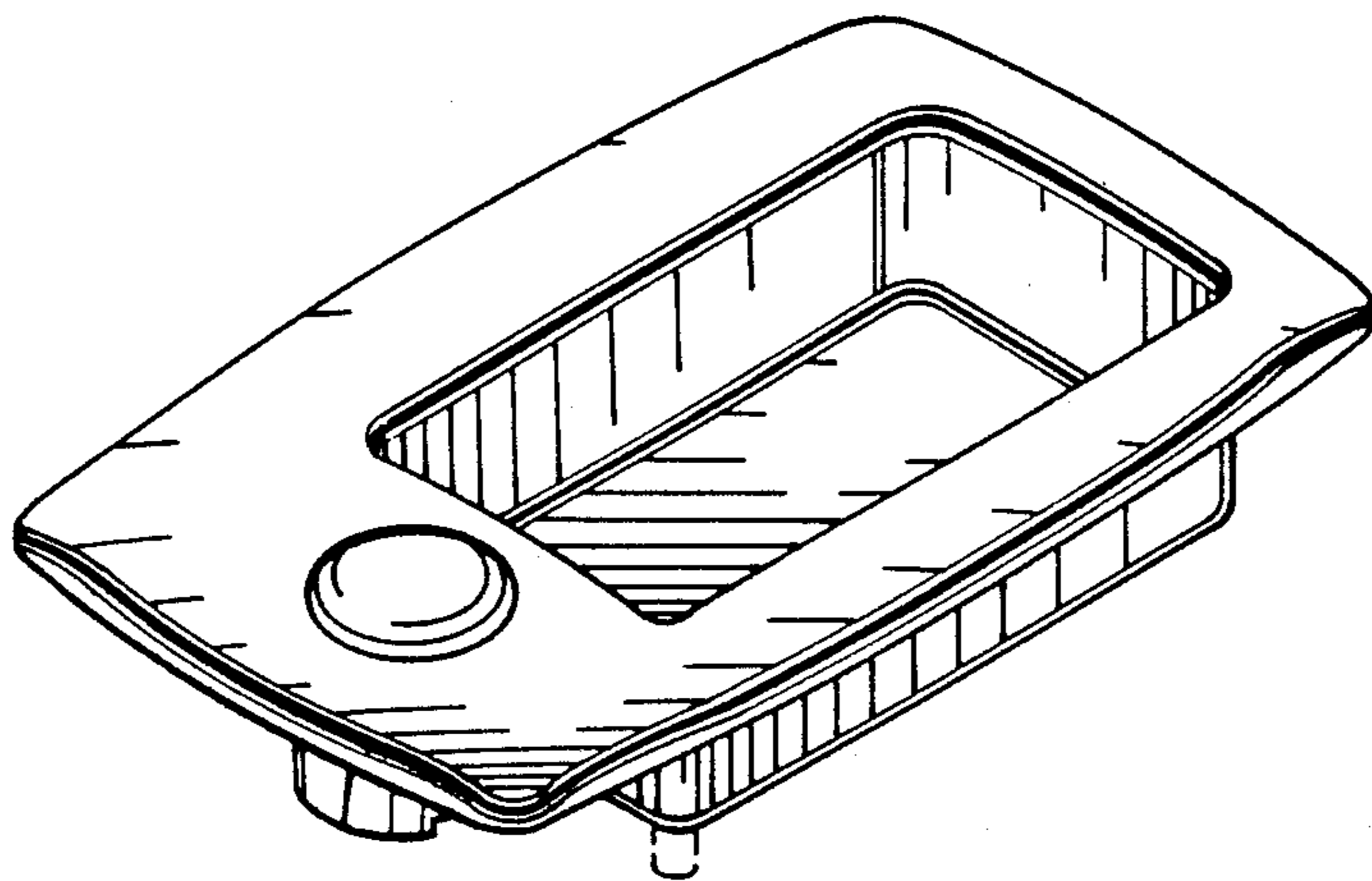


FIG. 26

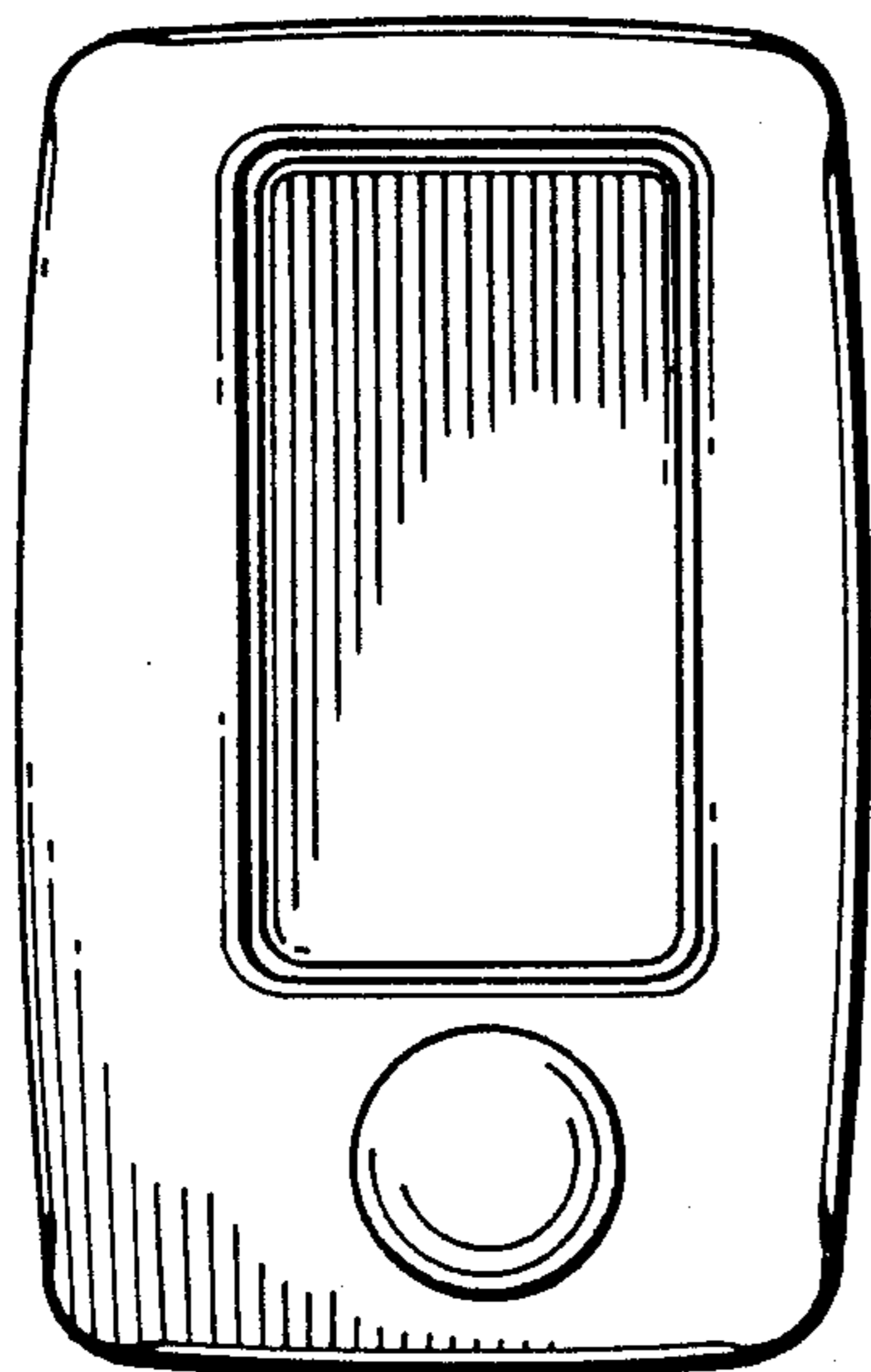


FIG. 27

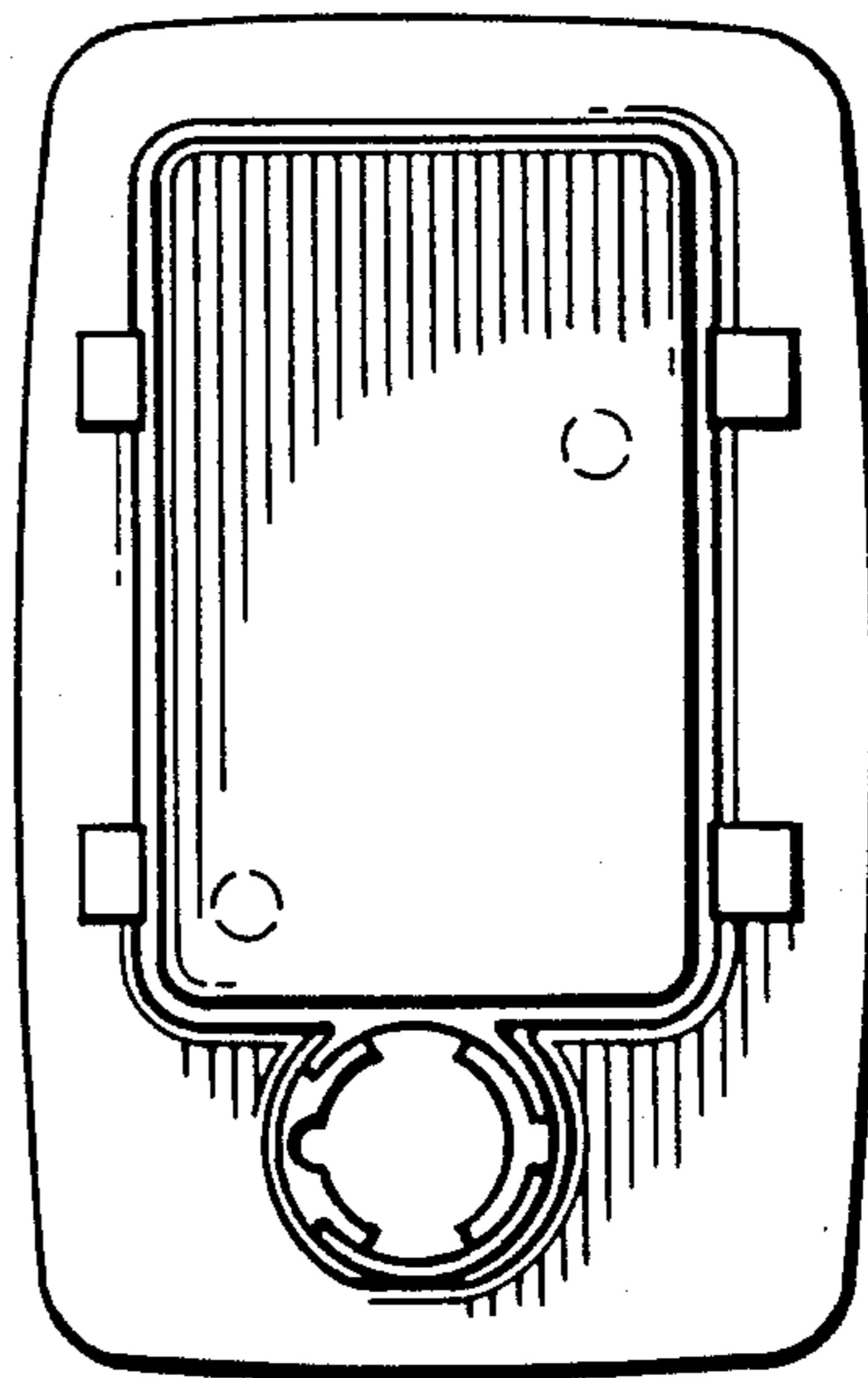


FIG. 28

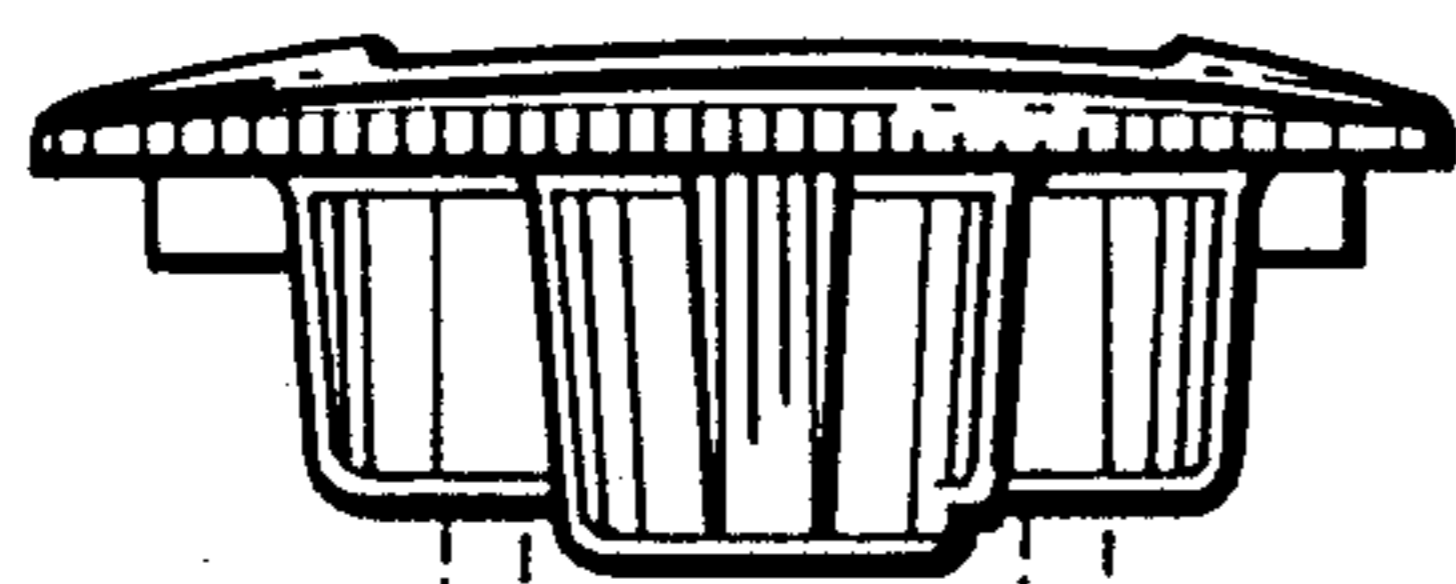


FIG. 29

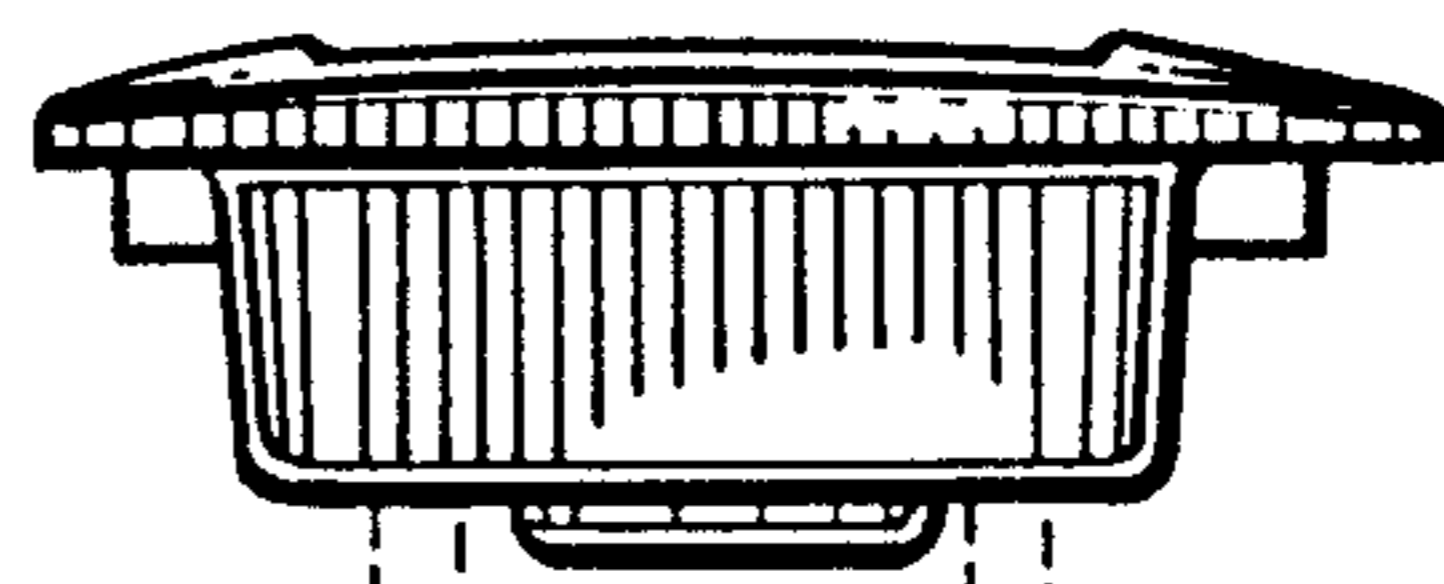


FIG. 30

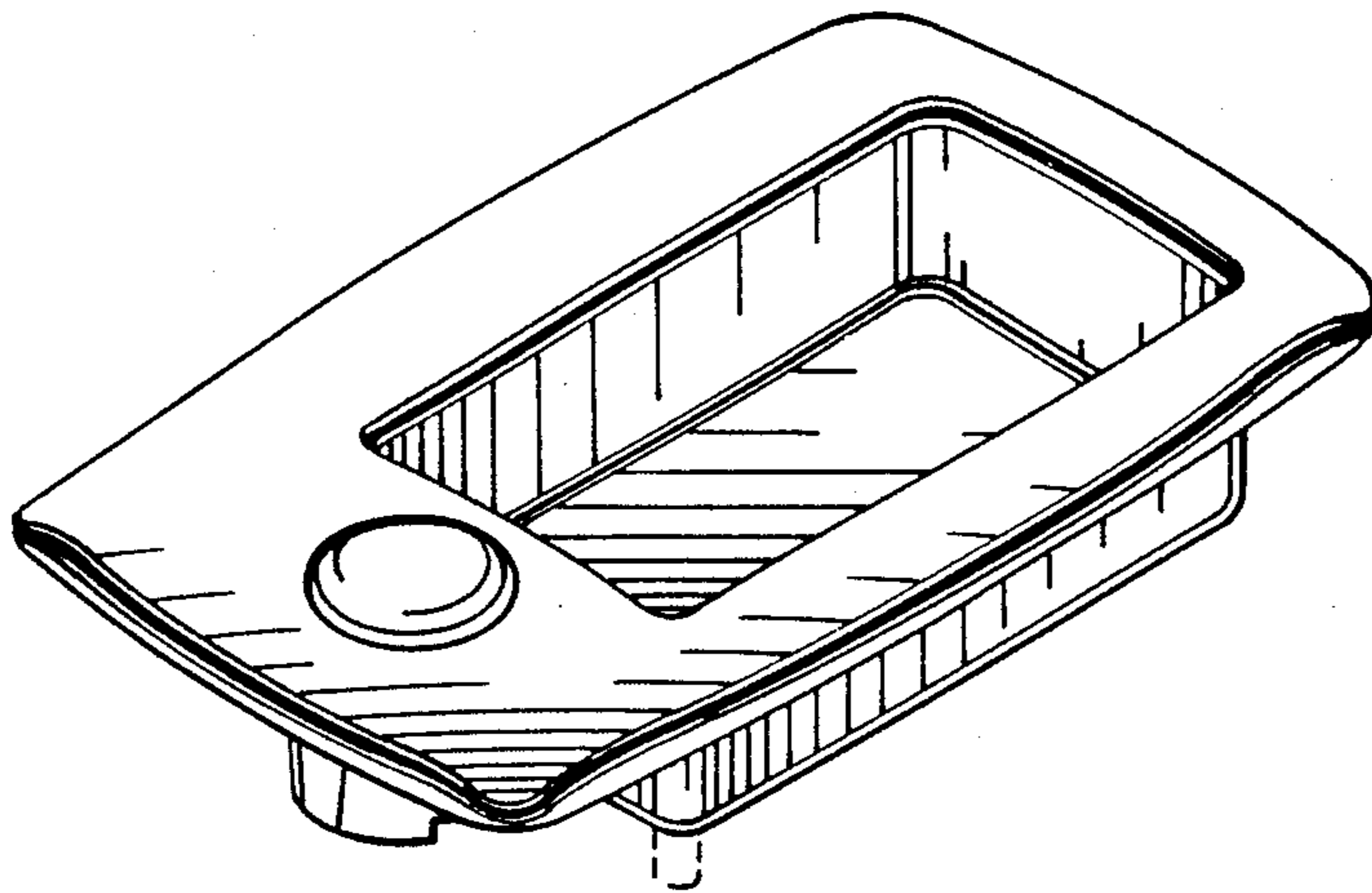


FIG. 31

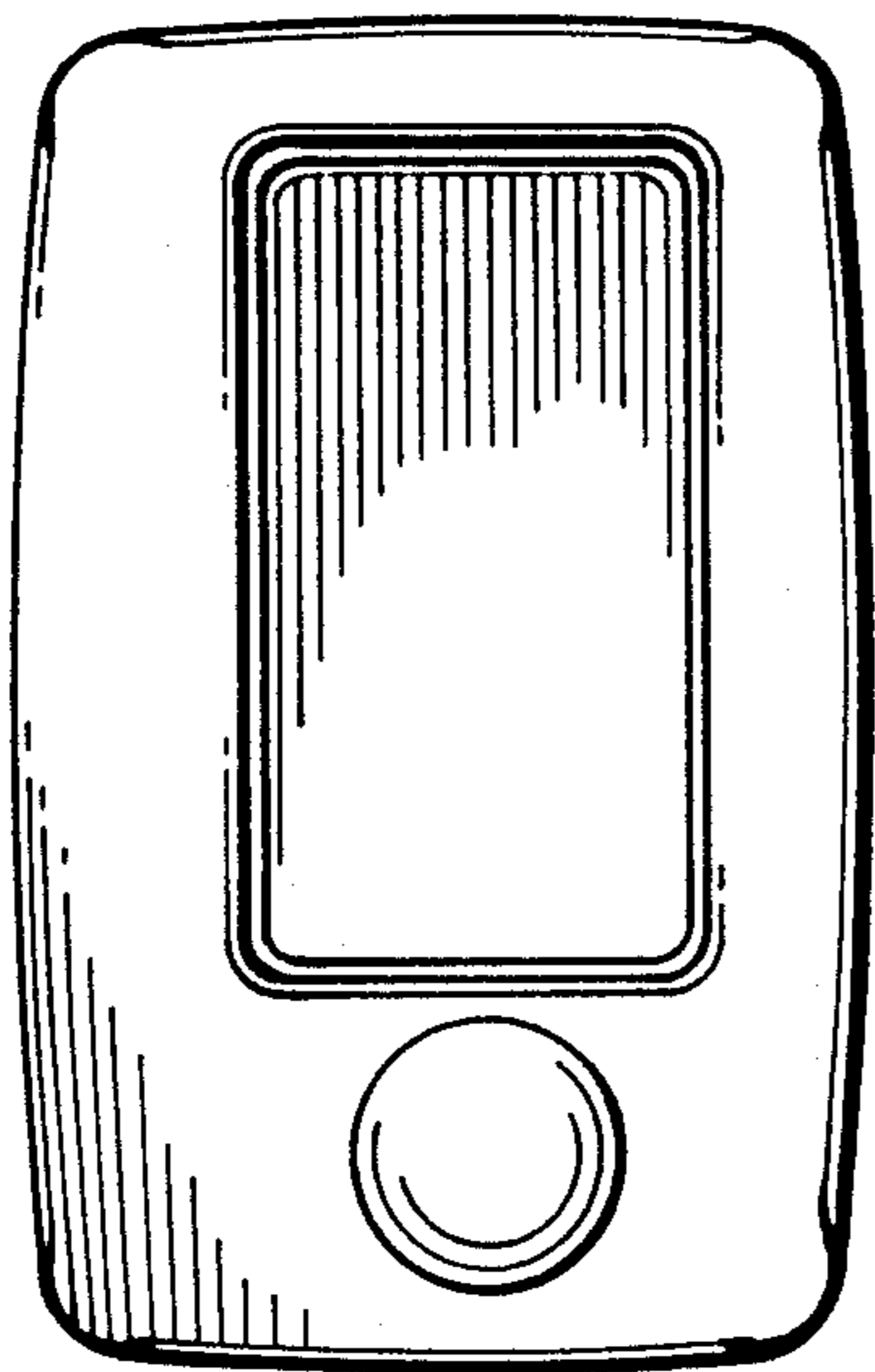


FIG. 32

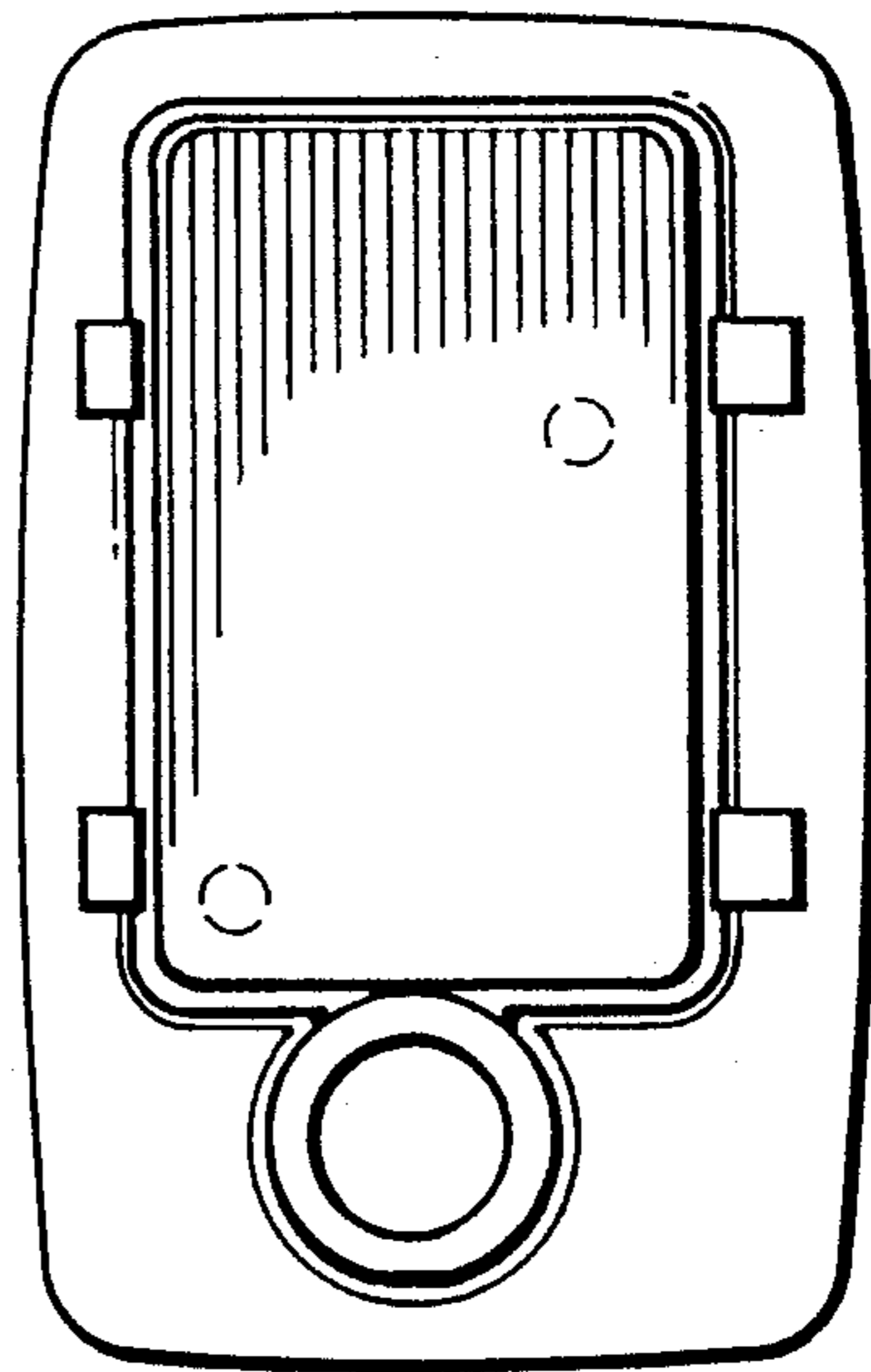


FIG. 33

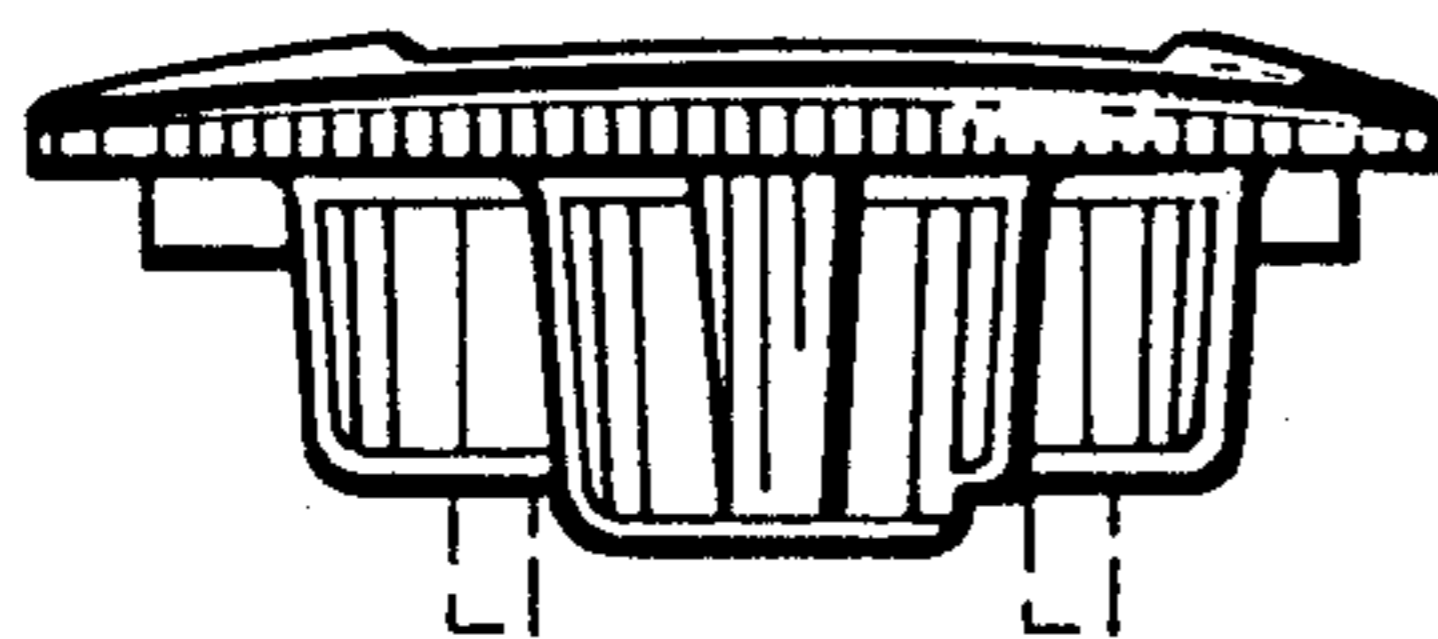


FIG. 34

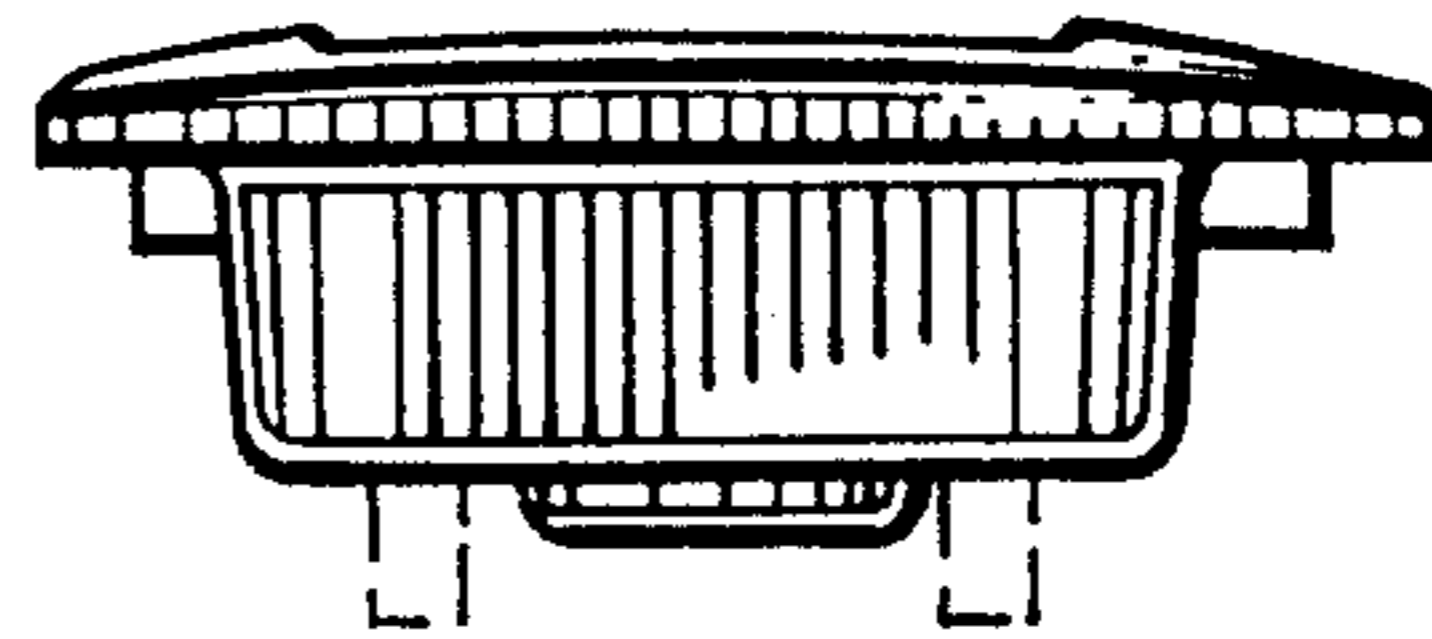


FIG. 35

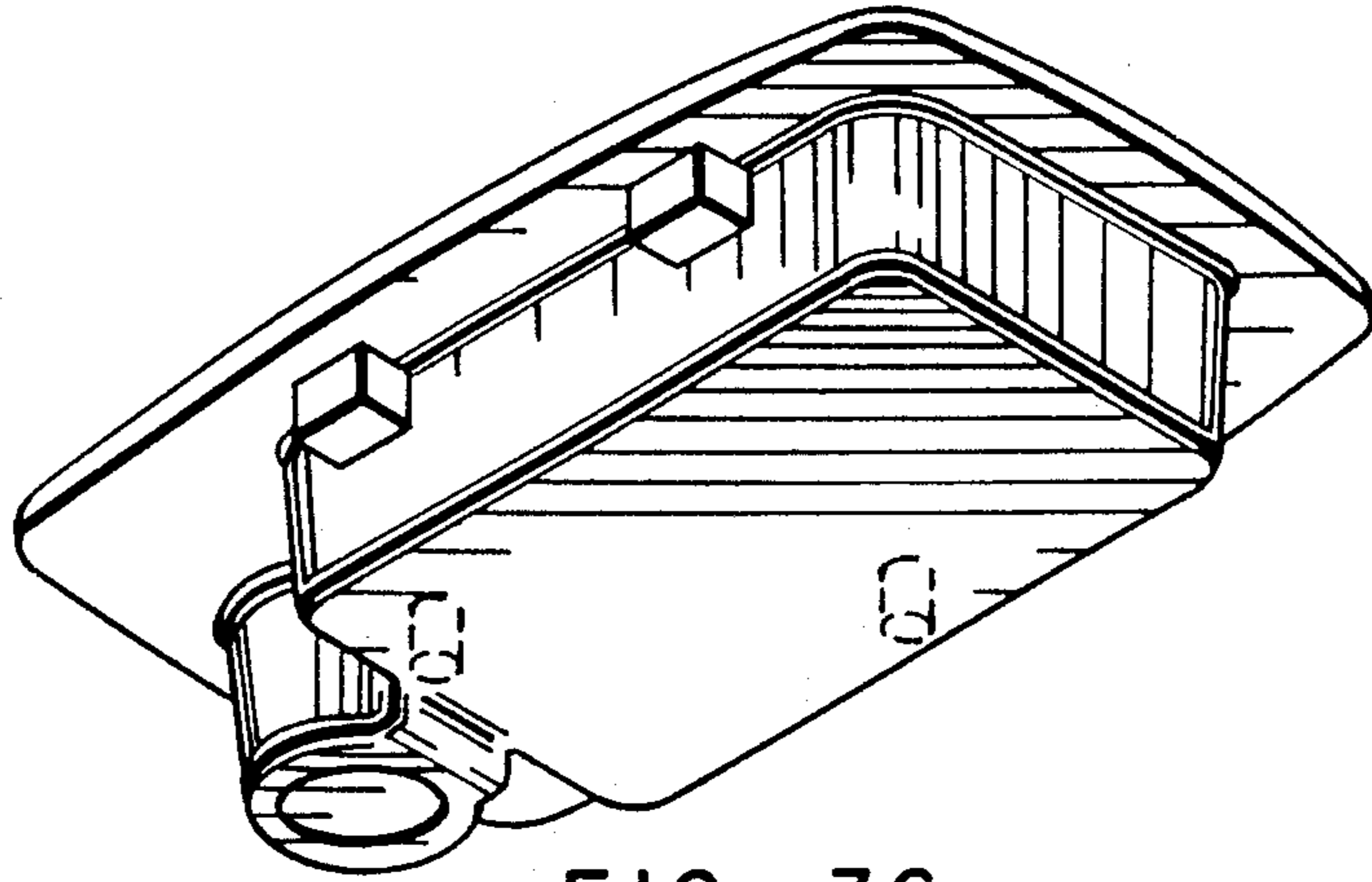


FIG. 36

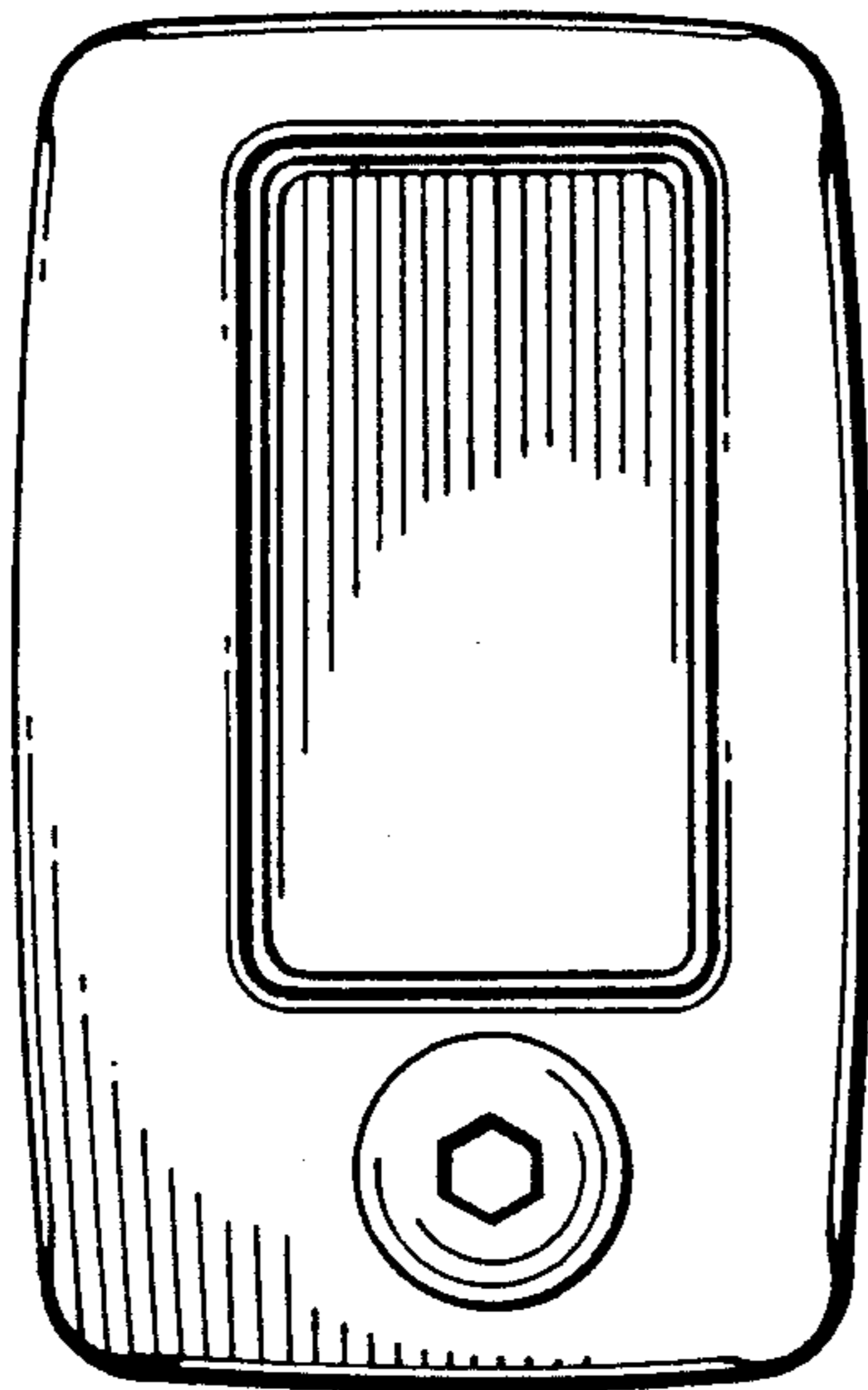


FIG. 37

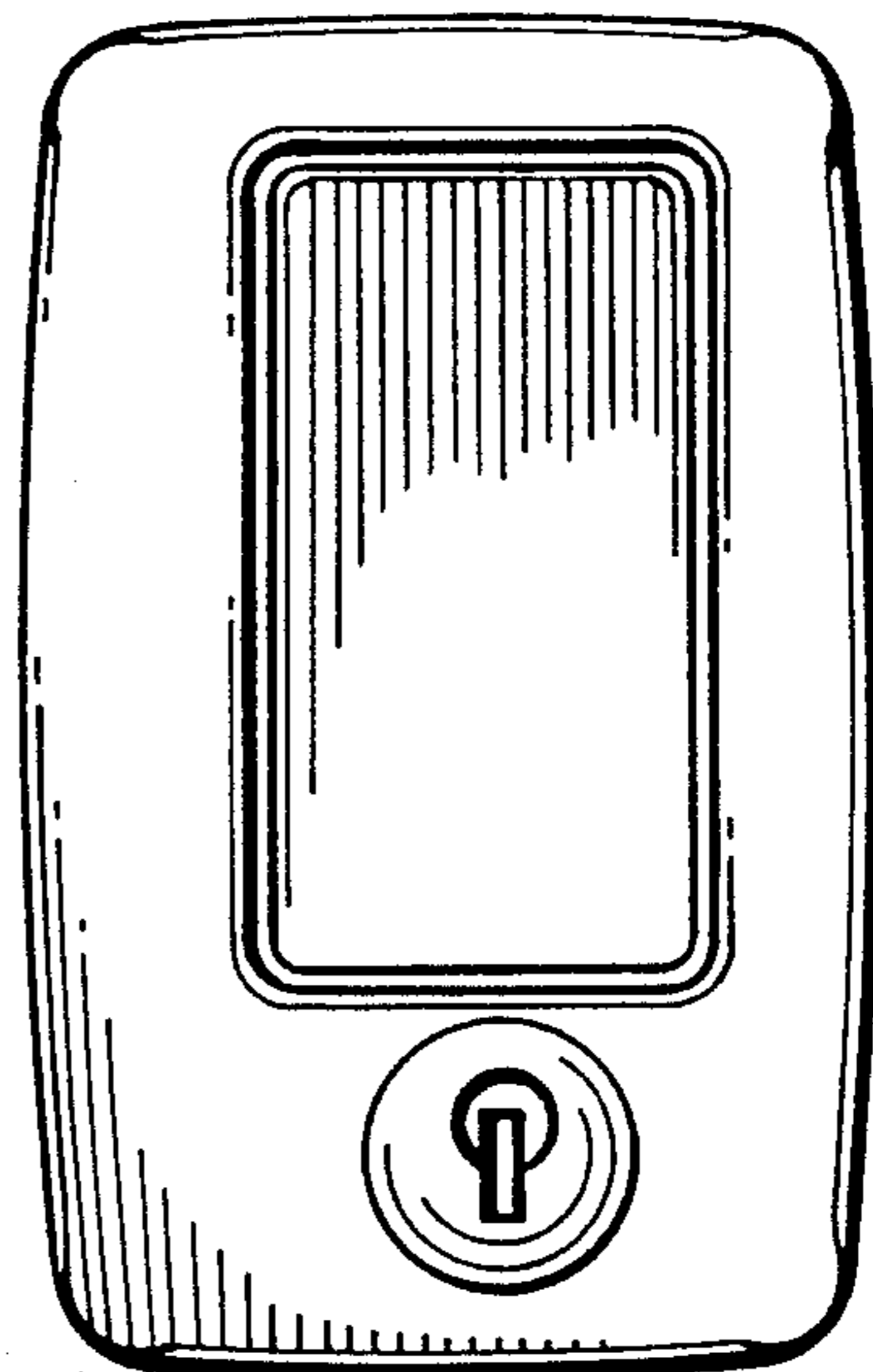


FIG. 38

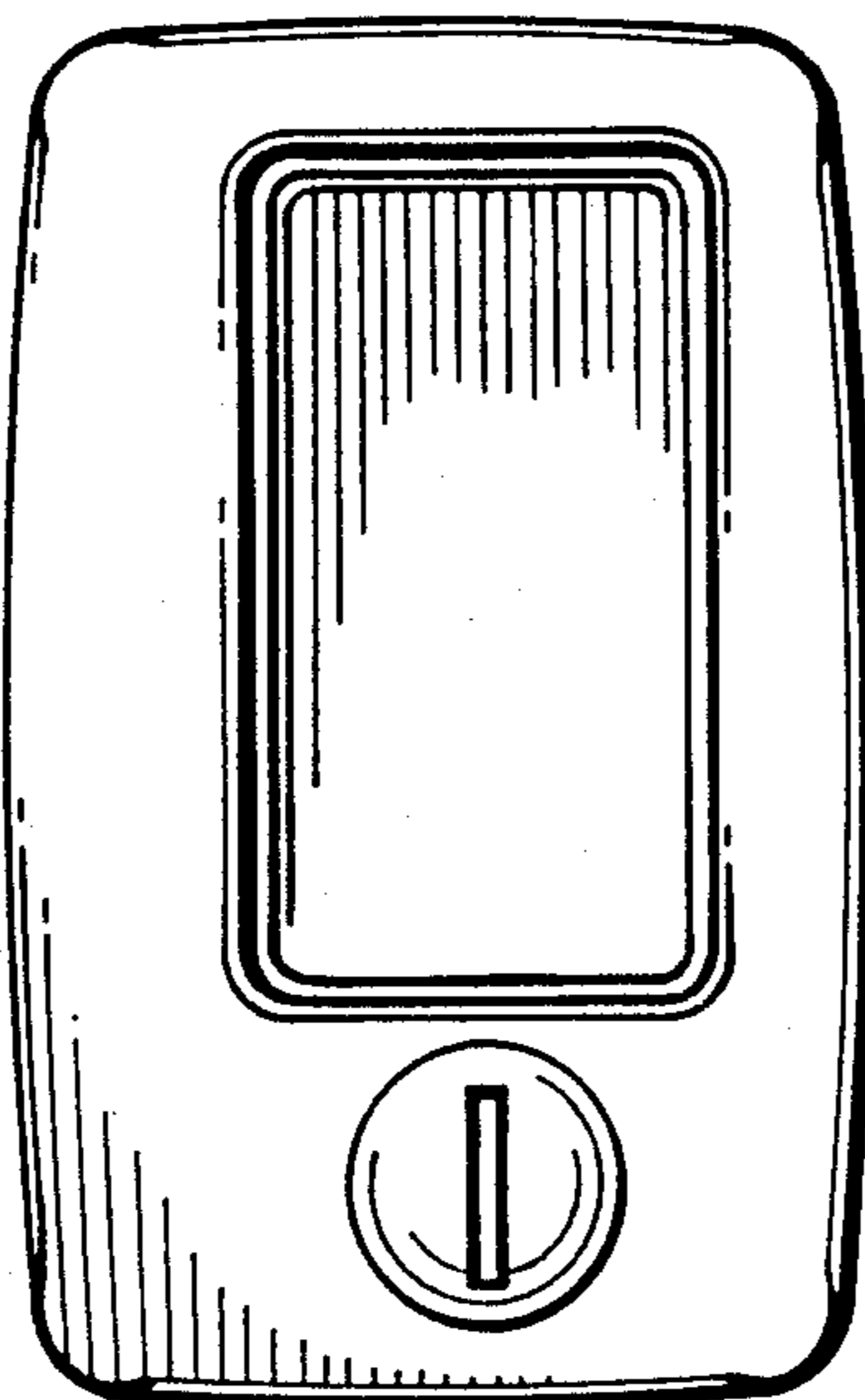


FIG. 39

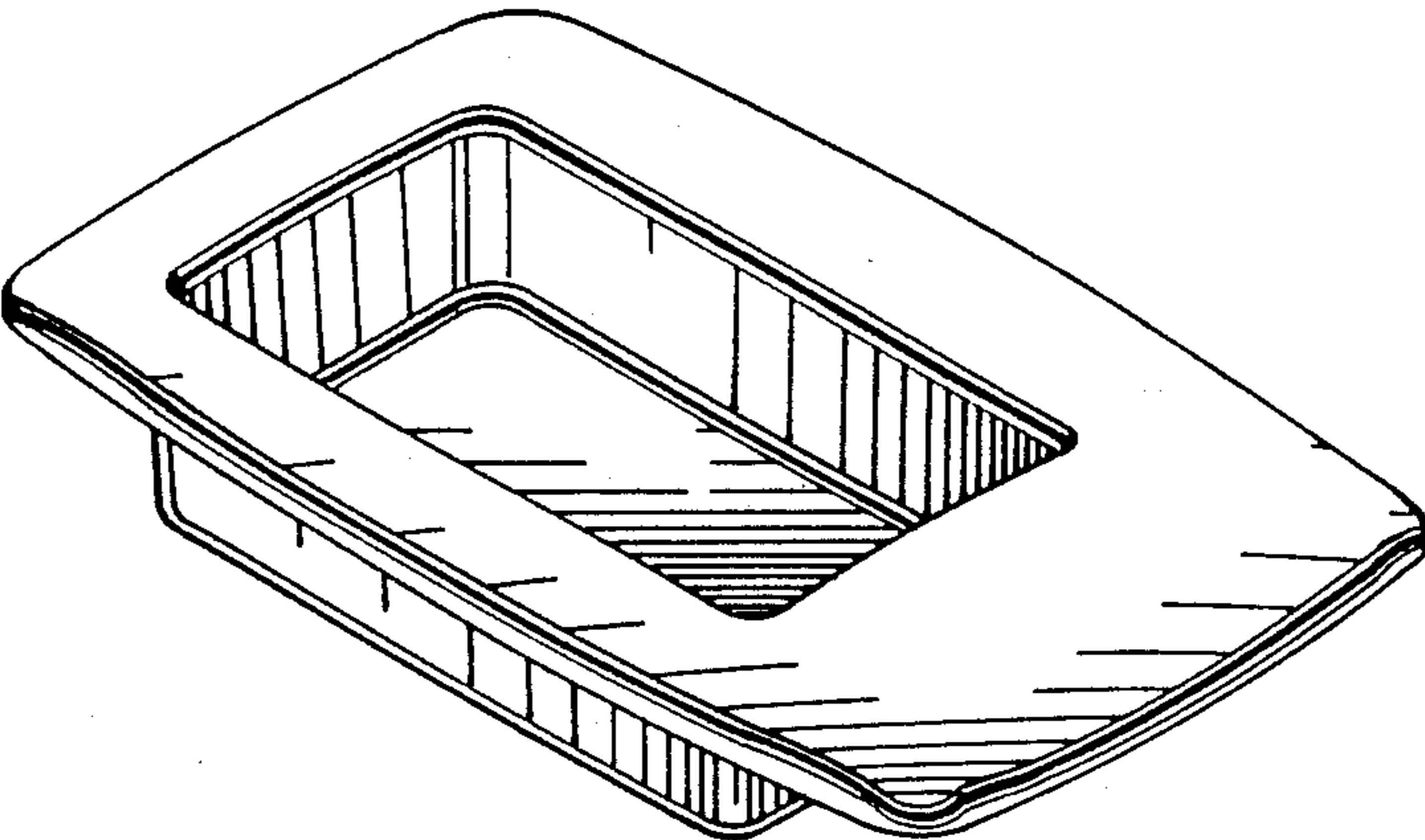


FIG. 40

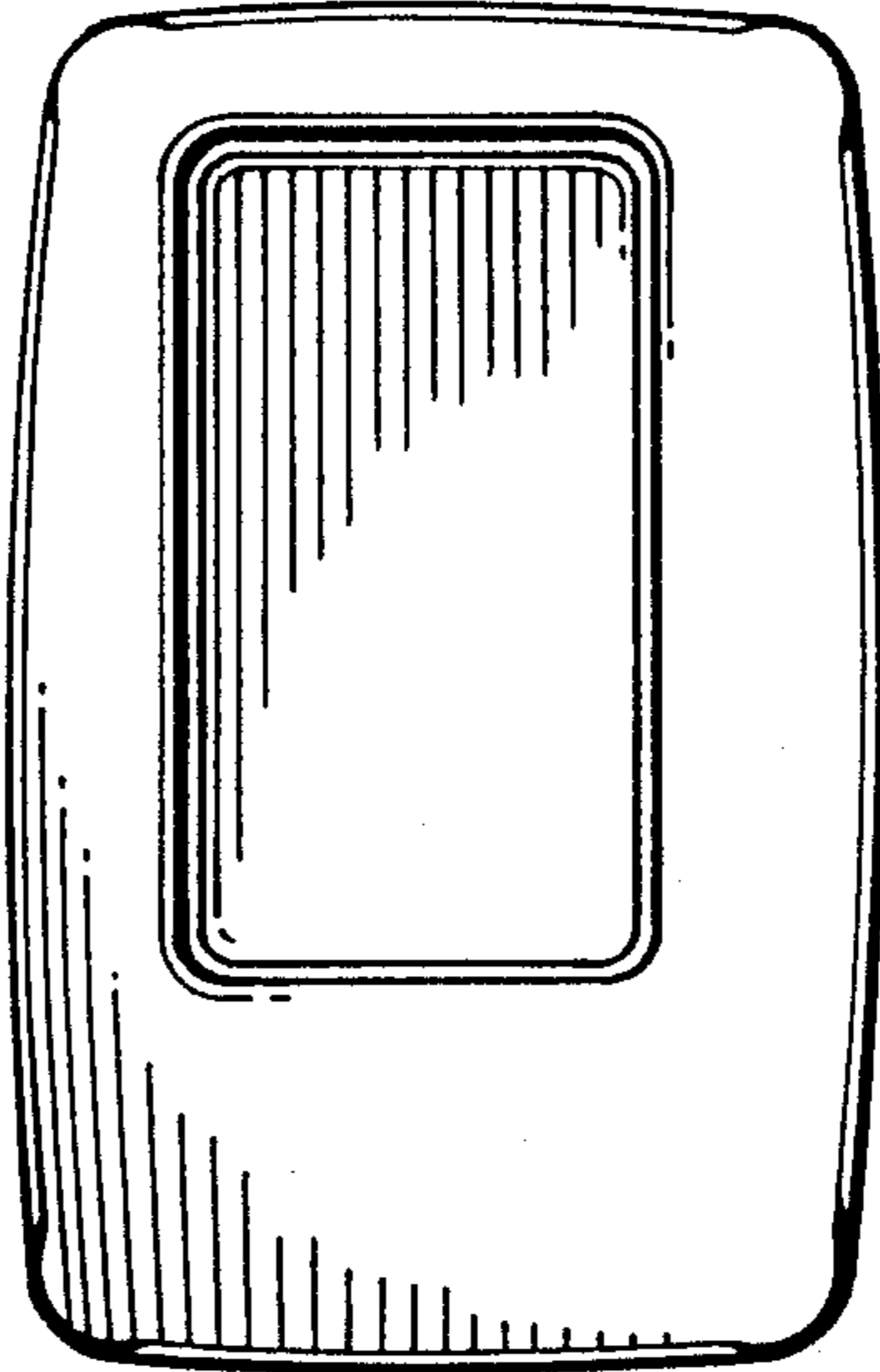


FIG. 41