

[54] **MULTIPLE STROKE RATCHET TOOL FOR CRIMPING, CUTTING OR THE LIKE**
 [75] **Inventor: John G. Hatfield, Camp Hill, Pa.**
 [73] **Assignee: AMP Incorporated, Harrisburg, Pa.**
 [**] **Term: 14 Years**
 [21] **Appl. No.: 873,036**
 [22] **Filed: Jun. 11, 1986**
 [52] **U.S. Cl. D8/51; D8/25; D8/54; D8/98**
 [58] **Field of Search D8/14, 61, 51, 54, 21-29, D8/82-87, 98; 81/313, 314, 309, 355, 473; 30/135, 250**

3,210,844 10/1965 Tontscheff 30/250
 3,324,702 6/1967 Malkin 72/409
 3,342,059 9/1967 Laux 72/410
 4,135,284 1/1979 Nakamoto 81/355
 4,221,048 9/1980 Parramore 30/135

Primary Examiner—Bruce W. Dunkins
Assistant Examiner—Clare E. Heflin
Attorney, Agent, or Firm—Bruce J. Wolstoncroft

[57] **CLAIM**

The ornamental design for multiple stroke ratchet tool for crimping, cutting or the like, as shown and described.

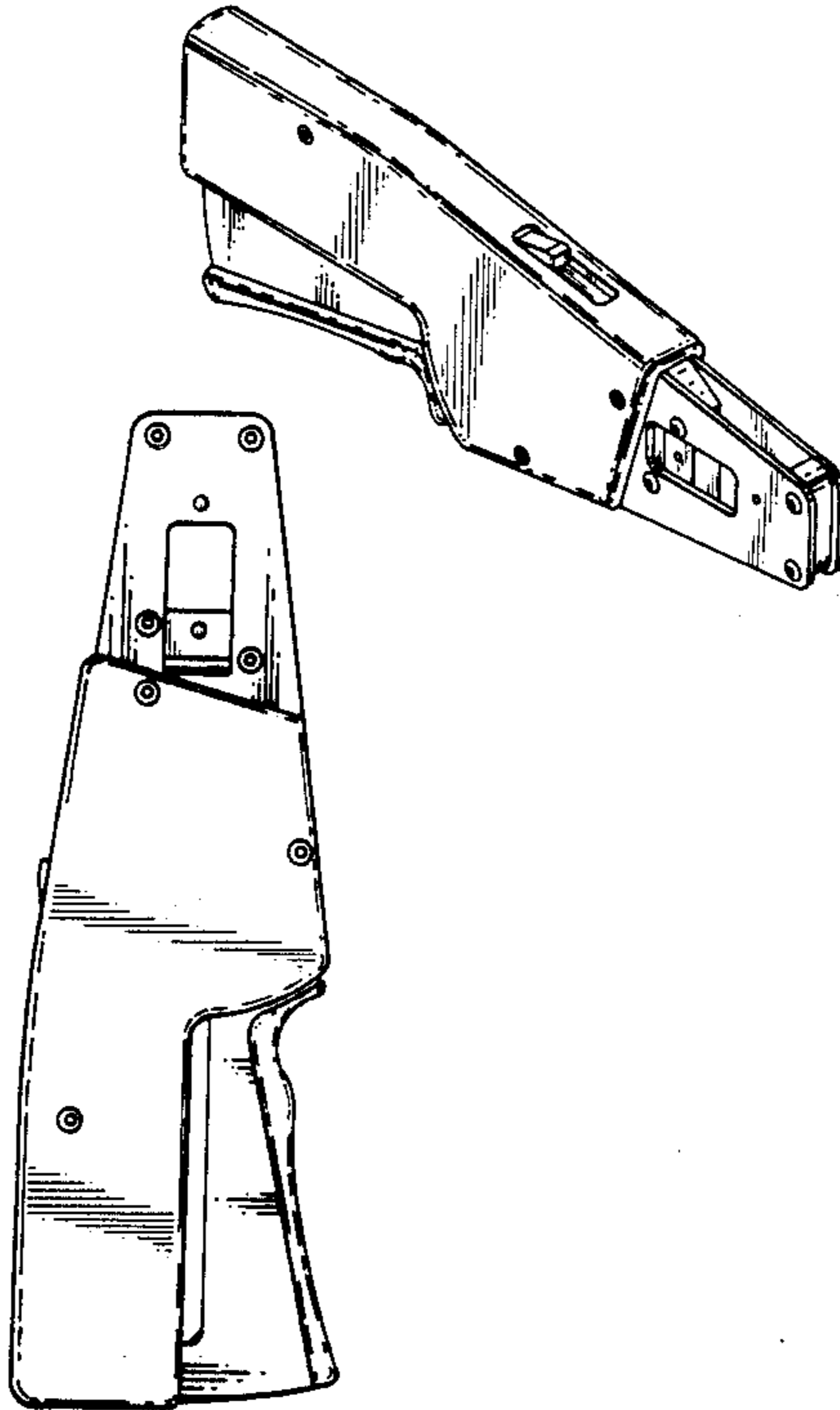
DESCRIPTION

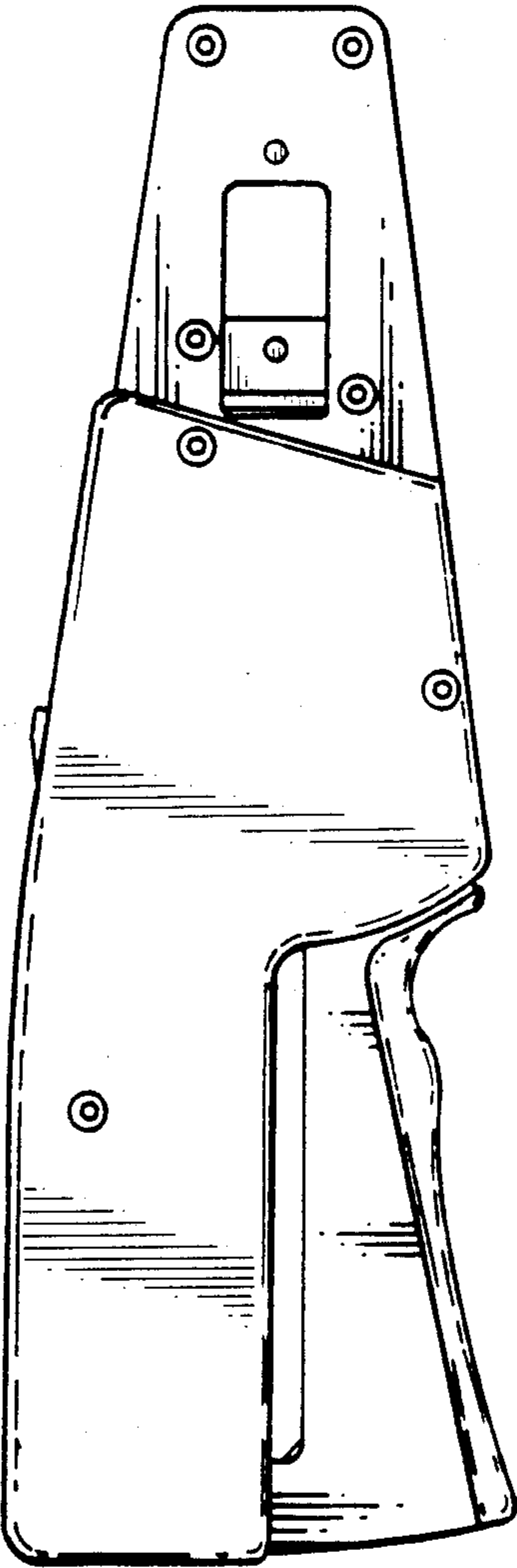
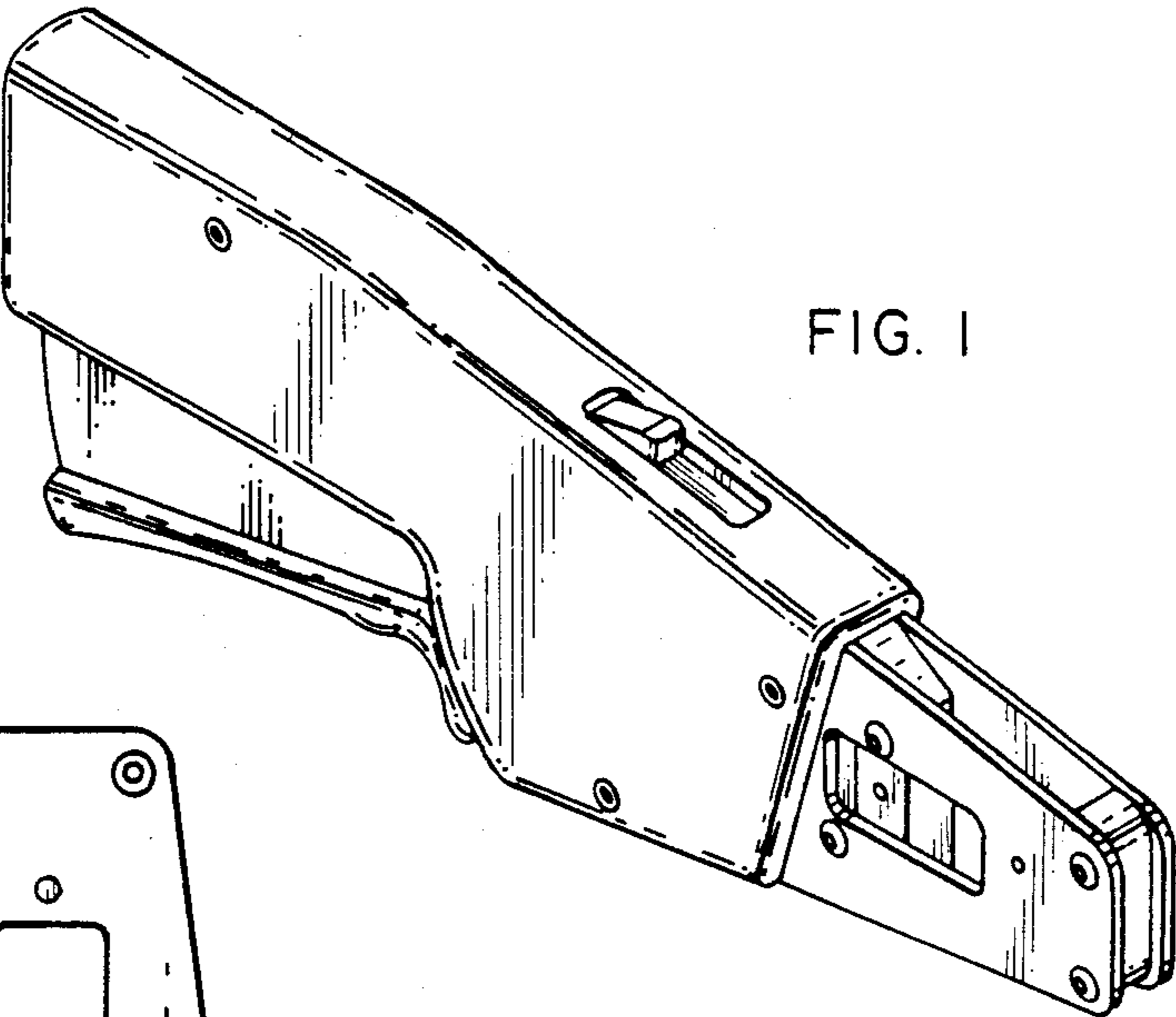
FIG. 1 is a perspective view of the multiple stroke ratchet tool for crimping, cutting or the like showing my new design;
 FIG. 2 is a front elevational view thereof;
 FIG. 3 is a rear elevational view thereof;
 FIG. 4 is a right side elevational view thereof;
 FIG. 5 is a left side elevational view thereof;
 FIG. 6 is a top plan view thereof;
 FIG. 7 is a bottom plan view thereof.

[56] **References Cited**

U.S. PATENT DOCUMENTS

D. 255,090 5/1980 Dacunto D8/21
 2,592,098 4/1952 Zimdars 81/309
 2,861,488 11/1958 Barnes 81/15
 2,861,490 11/1958 Rozmus 81/15
 3,101,017 8/1963 Malkin et al. 81/15
 3,169,307 2/1965 Langwell 29/229





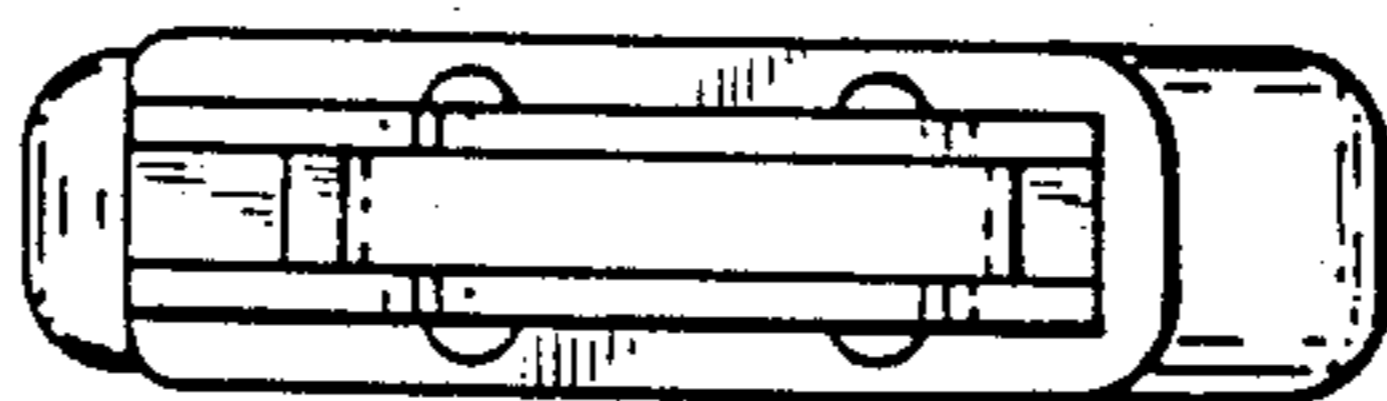


FIG. 6

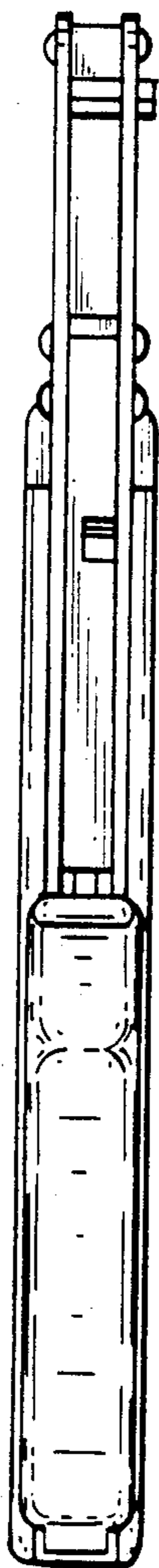


FIG. 4

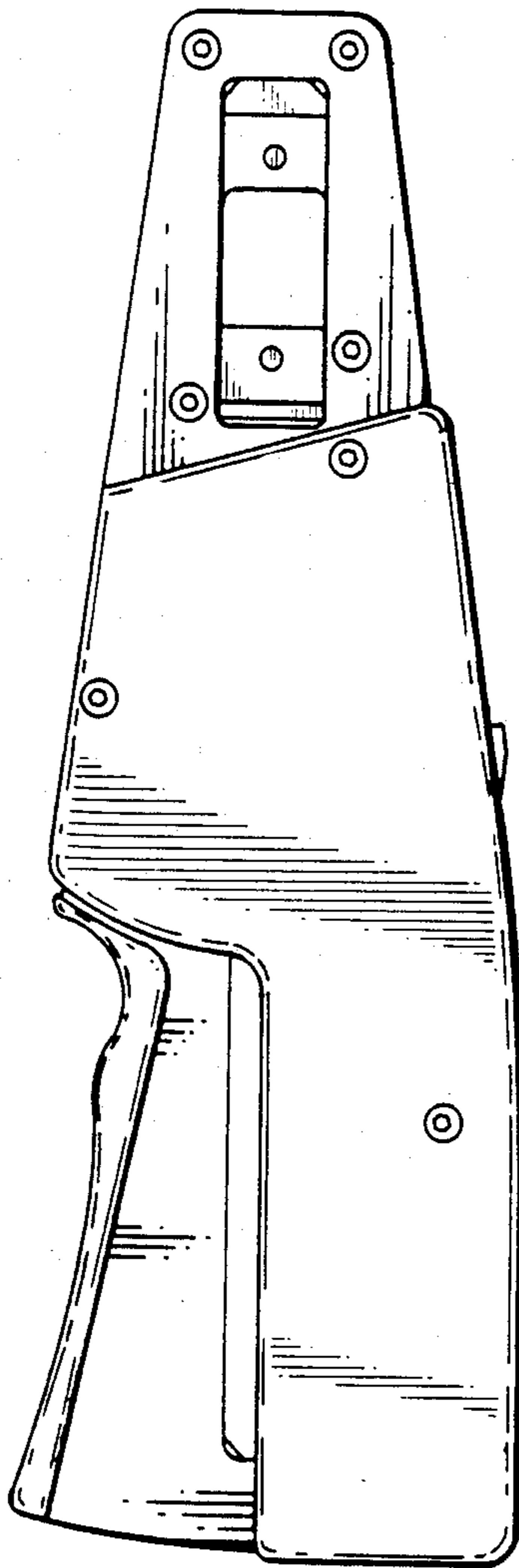


FIG. 3

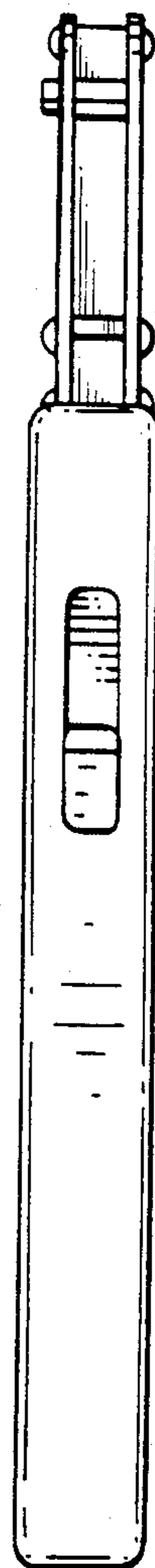


FIG. 5



FIG. 7