

[54] **HAND HELD TOOL FOR PACKING AND LOADING OF LEAVES**

[76] **Inventor: Mark R. Butler, 4321 Kenston Way, Sacramento, Calif. 95822**

[\*\*] **Term: 14 Years**

[21] **Appl. No.: 106,315**

[22] **Filed: Oct. 8, 1987**

[52] **U.S. Cl. .... D8/1; D8/13**

[58] **Field of Search .... D8/1, 13, 10; 56/400.01, 400.12, 400.17; 294/25, 55; 7/114**

[56] **References Cited**

**U.S. PATENT DOCUMENTS**

- D. 270,611 9/1983 Check et al. .... D8/1
- 3,688,484 9/1972 Cox ..... 56/400.12

**FOREIGN PATENT DOCUMENTS**

1253012 11/1971 United Kingdom ..... 56/400.12

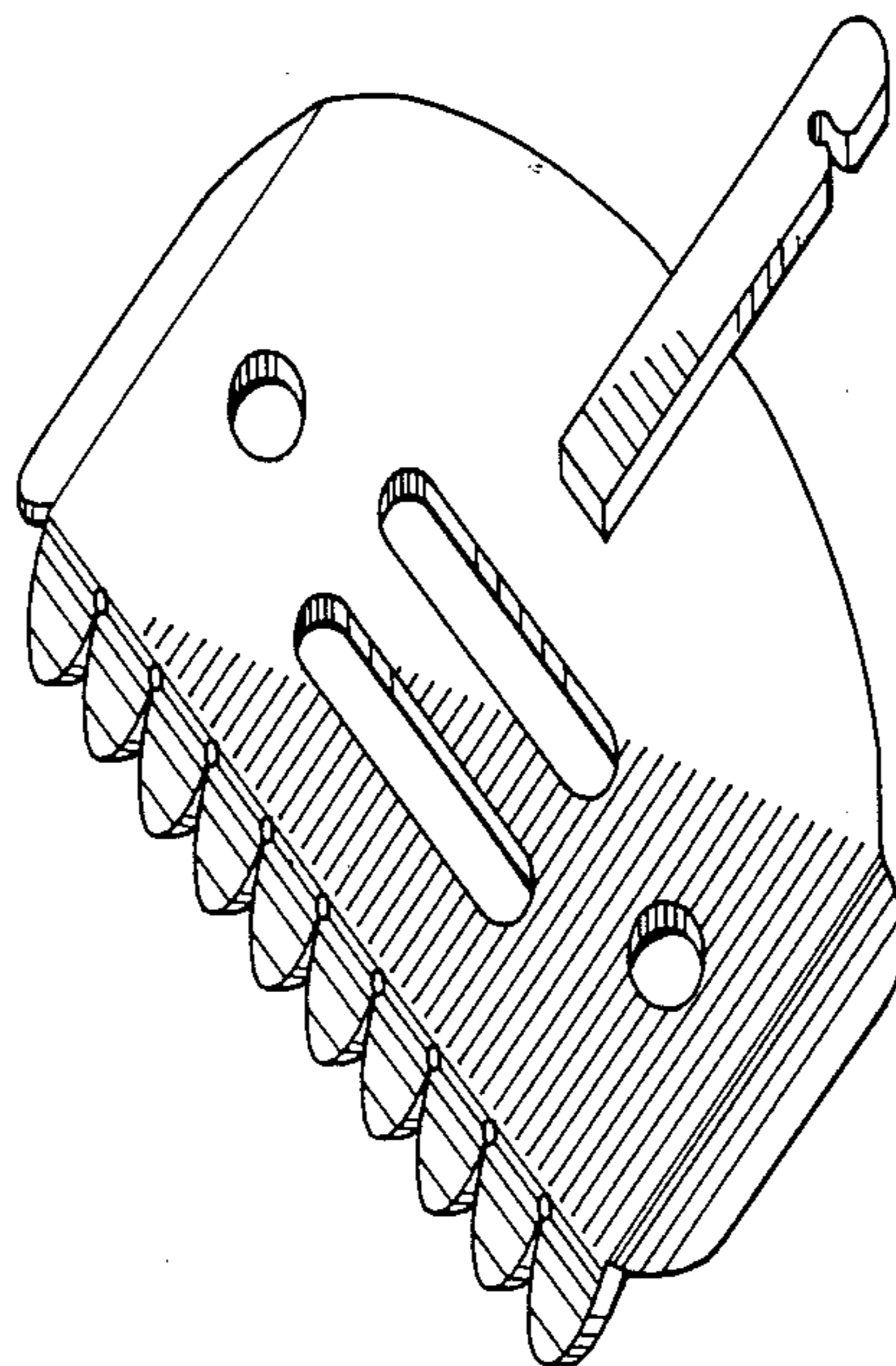
*Primary Examiner*—Wallace R. Burke  
*Assistant Examiner*—Brian N. Vinson  
*Attorney, Agent, or Firm*—Jerry T. Kearns

[57] **CLAIM**

The ornamental design for a hand held tool for packing and loading of leaves, as shown and described.

**DESCRIPTION**

FIG. 1 is a front elevational view of a hand held tool for packing and loading of leaves showing my new design; FIG. 2 is a rear elevational view thereof; FIG. 3 is a left side elevational view thereof; FIG. 4 is a right side elevational view thereof; FIG. 5 is a top plan view thereof; FIG. 6 is a bottom plan view thereof; and FIG. 7 is a perspective view thereof.



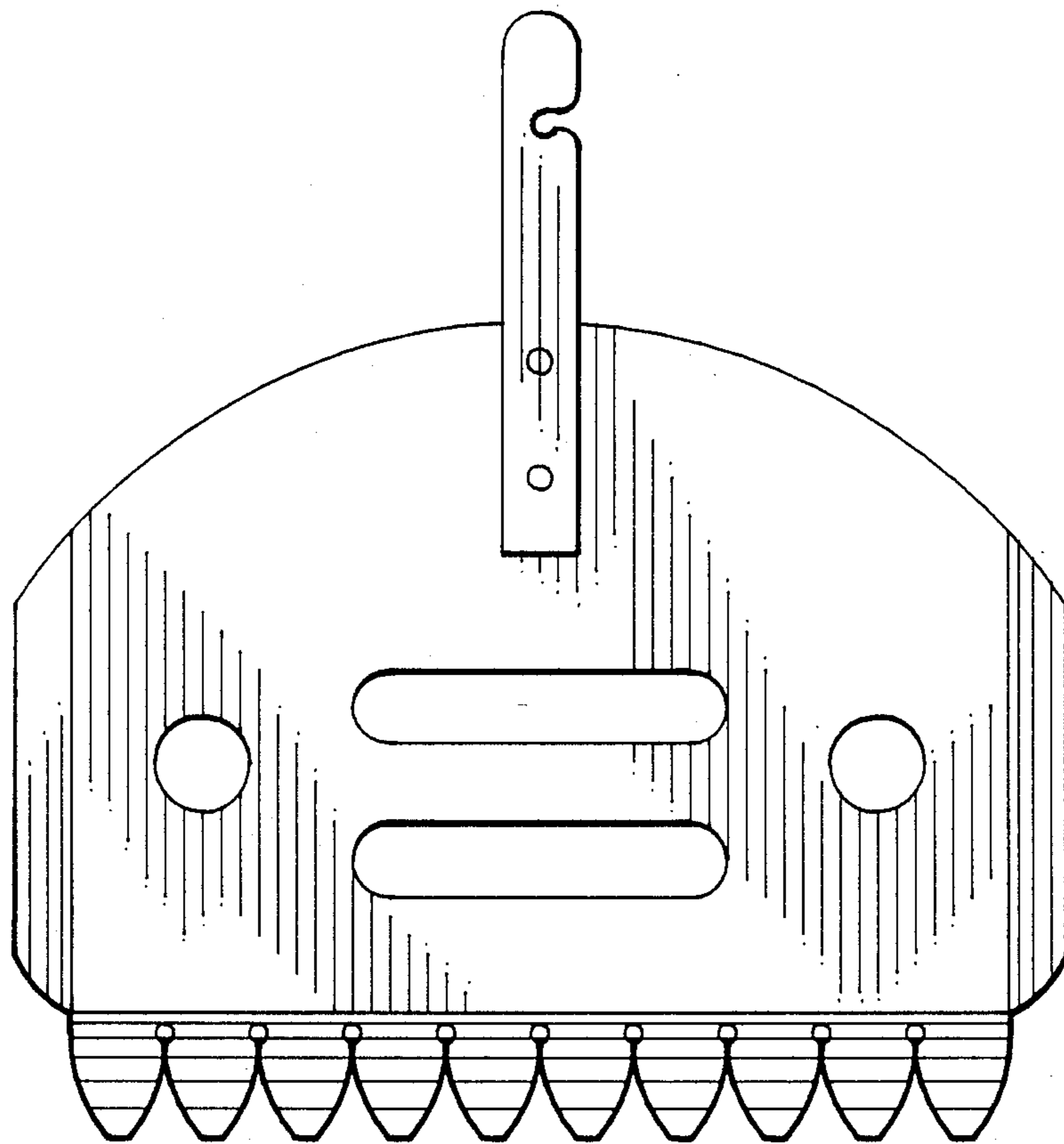


Fig. 1

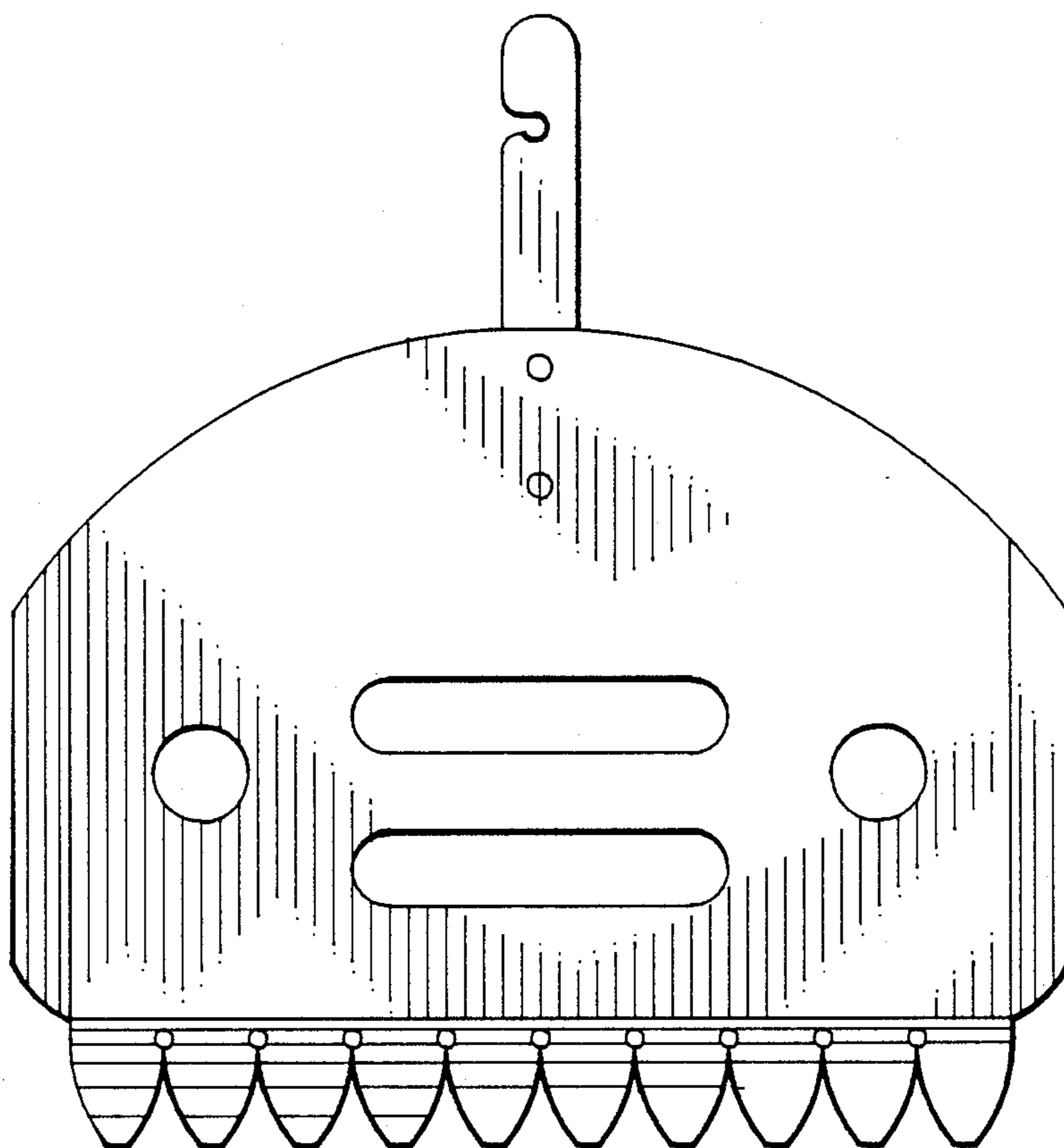


Fig. 2

Fig. 4

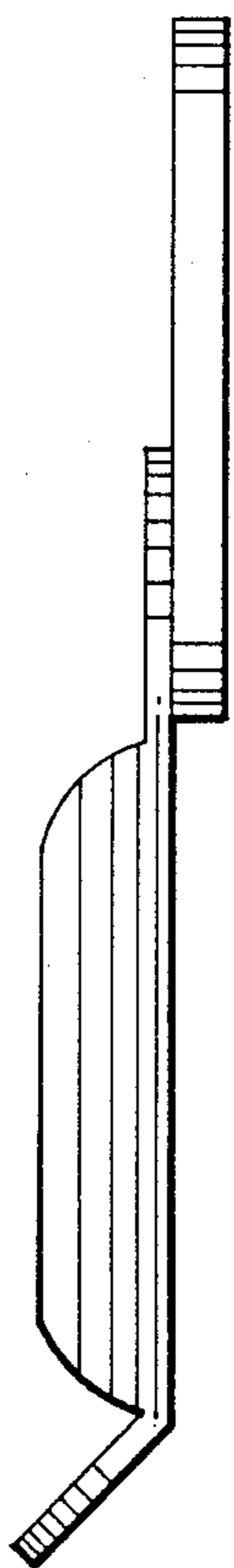


Fig. 3

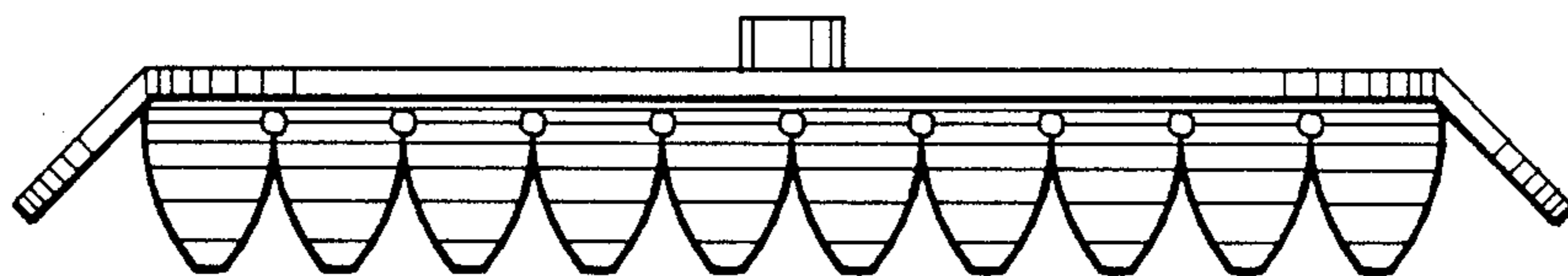
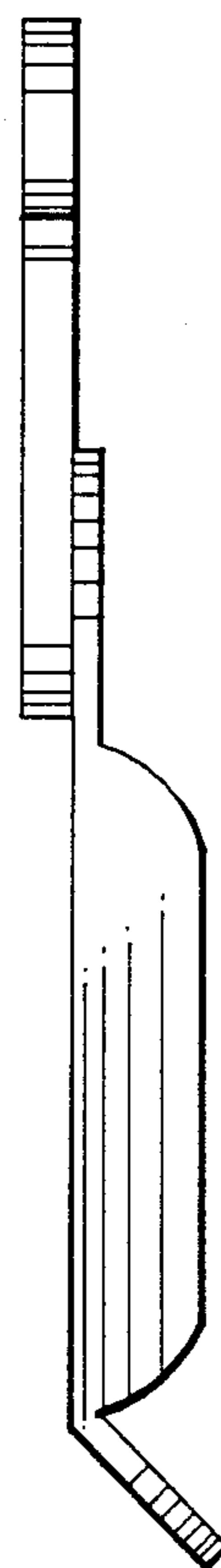


Fig. 5

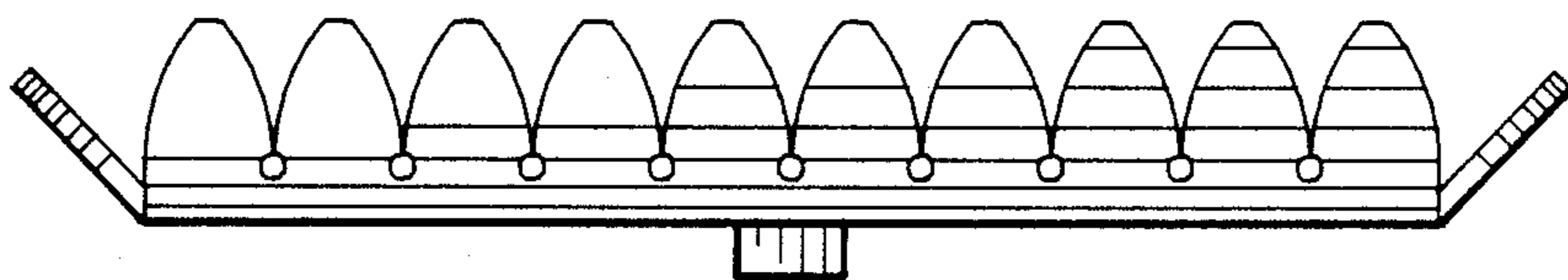


Fig. 6

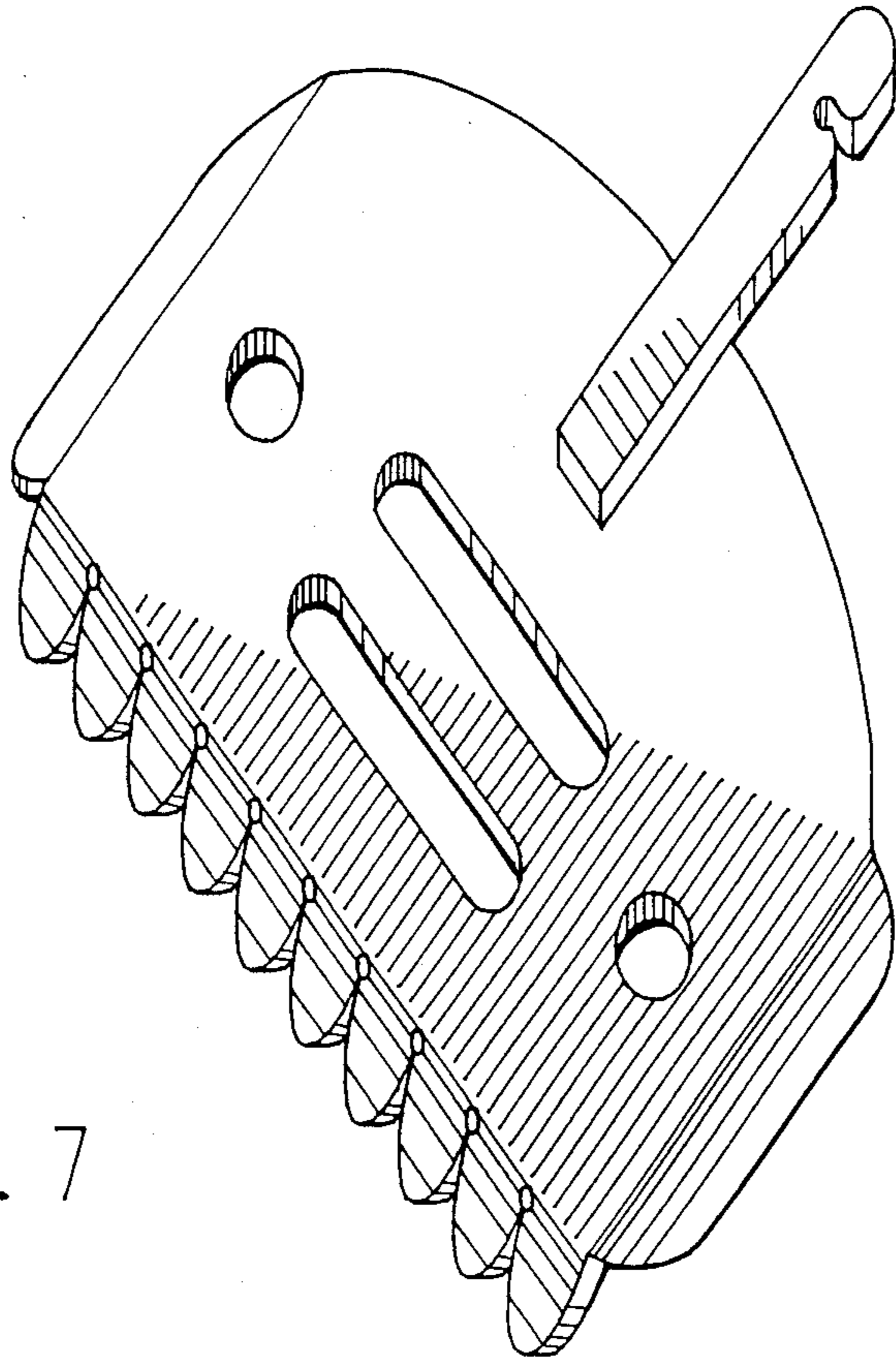


Fig. 7