

United States Patent [19]

Anderson

[11] Patent Number: **Des. 303,908**

[45] Date of Patent: **** Oct. 10, 1989**

[54] **PIE CRUST SHIELD**

[76] Inventor: **Georgette M. Anderson, 2616 NE. 57th Ave., Portland, Oreg. 97213**

[**] Term: **14 Years**

[21] Appl. No.: **924,601**

[22] Filed: **Oct. 29, 1986**

[52] U.S. Cl. **D7/387; D7/36**

[58] Field of Search **D7/36, 387; 99/433, 99/DIG. 15**

[56] **References Cited**

U.S. PATENT DOCUMENTS

D. 222,734	12/1971	Wiedemann	D7/36
D. 280,589	9/1985	Bassett	D7/360
554,502	2/1896	Belden	99/433
793,653	7/1905	Gorman	99/433 X
835,212	11/1906	Blynt	99/DIG. 15 X
843,109	2/1907	Sabin	99/433
1,180,782	4/1916	McLaughlin	99/433
1,375,539	4/1921	Scott	99/133 X
1,834,402	12/1931	Houston	99/433 X
2,257,408	9/1941	Alexander	99/433

3,322,074	5/1967	Malnory	99/DIG. 15 X
3,951,053	4/1976	Kirkpatrick	99/433
4,080,884	3/1978	Terrell	99/433

FOREIGN PATENT DOCUMENTS

25045 1/1985 Fed. Rep. of Germany .

OTHER PUBLICATIONS

Institutions Magazine, Mar. 1970, p. 10, "Aristocrat ®", Polytherm Plastic Plate—Make Waves Theme.

Primary Examiner—Winifred E. Herrmann
Attorney, Agent, or Firm—Eugene M. Eckelman

[57] **CLAIM**

The ornamental design for a pie crust shield, as shown and described.

DESCRIPTION

FIG. 1 is a top perspective view of a pie crust shield showing my new design;
FIG. 2 is a top plan view thereof;
FIG. 3 is a side elevational view thereof;
FIG. 4 is a bottom plan view thereof; and
FIG. 5 is an enlarged sectional view thereof taken on the line 5—5 of FIG. 2.

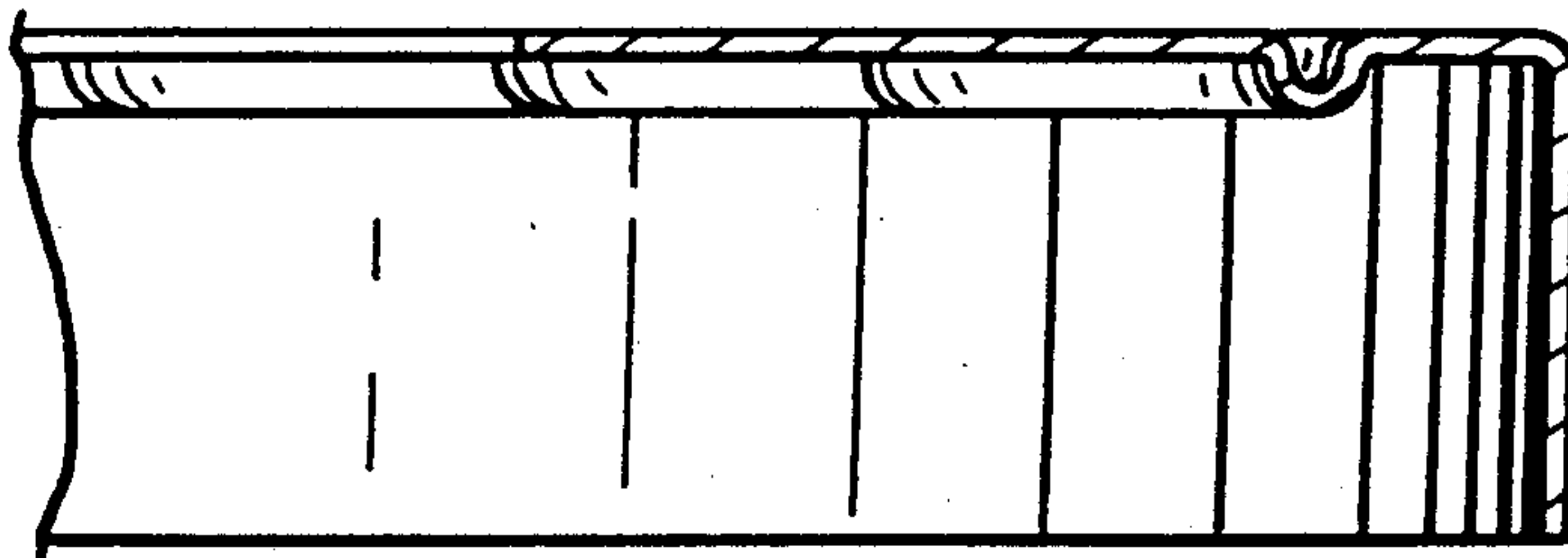
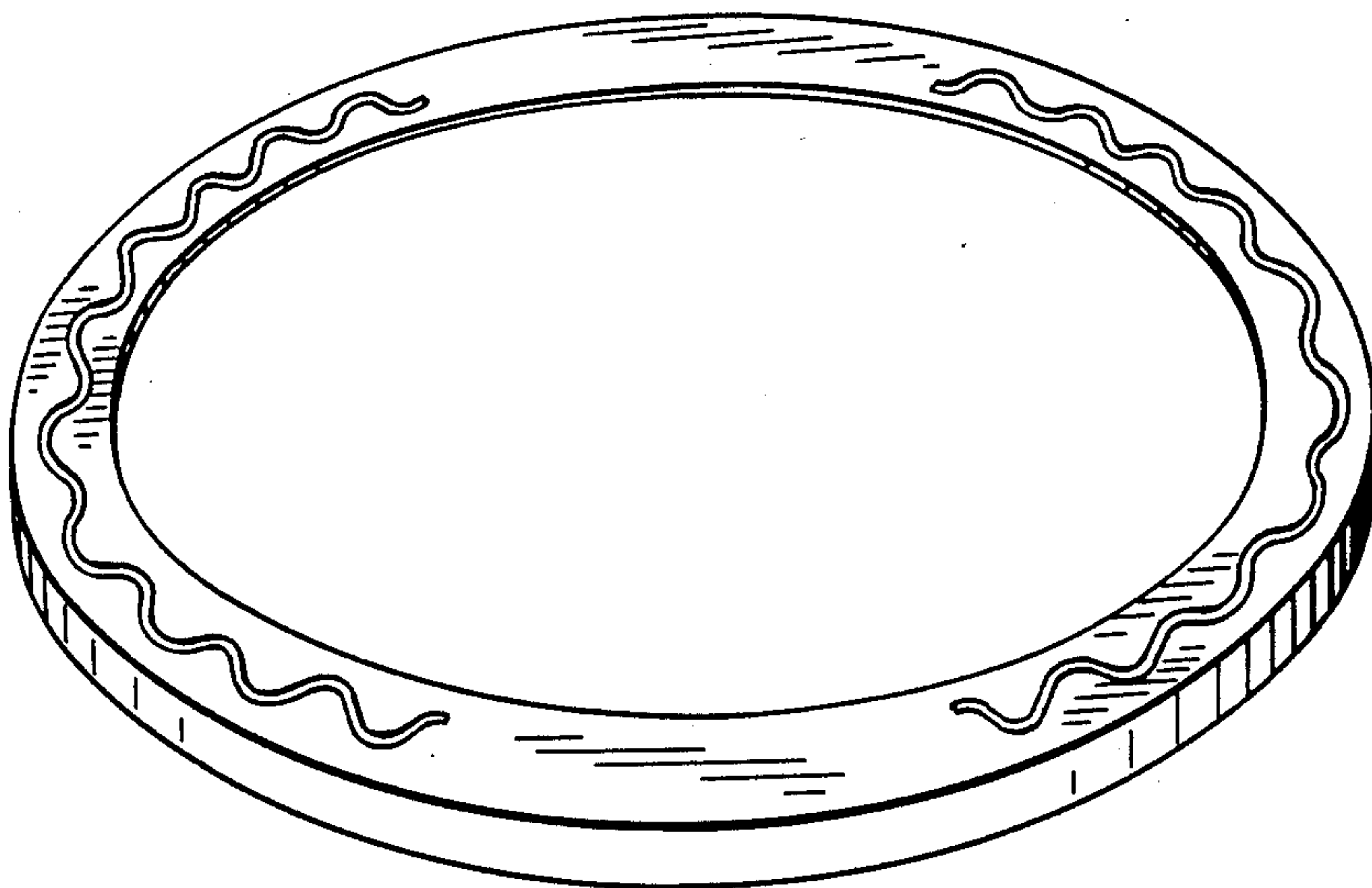


FIG. 1

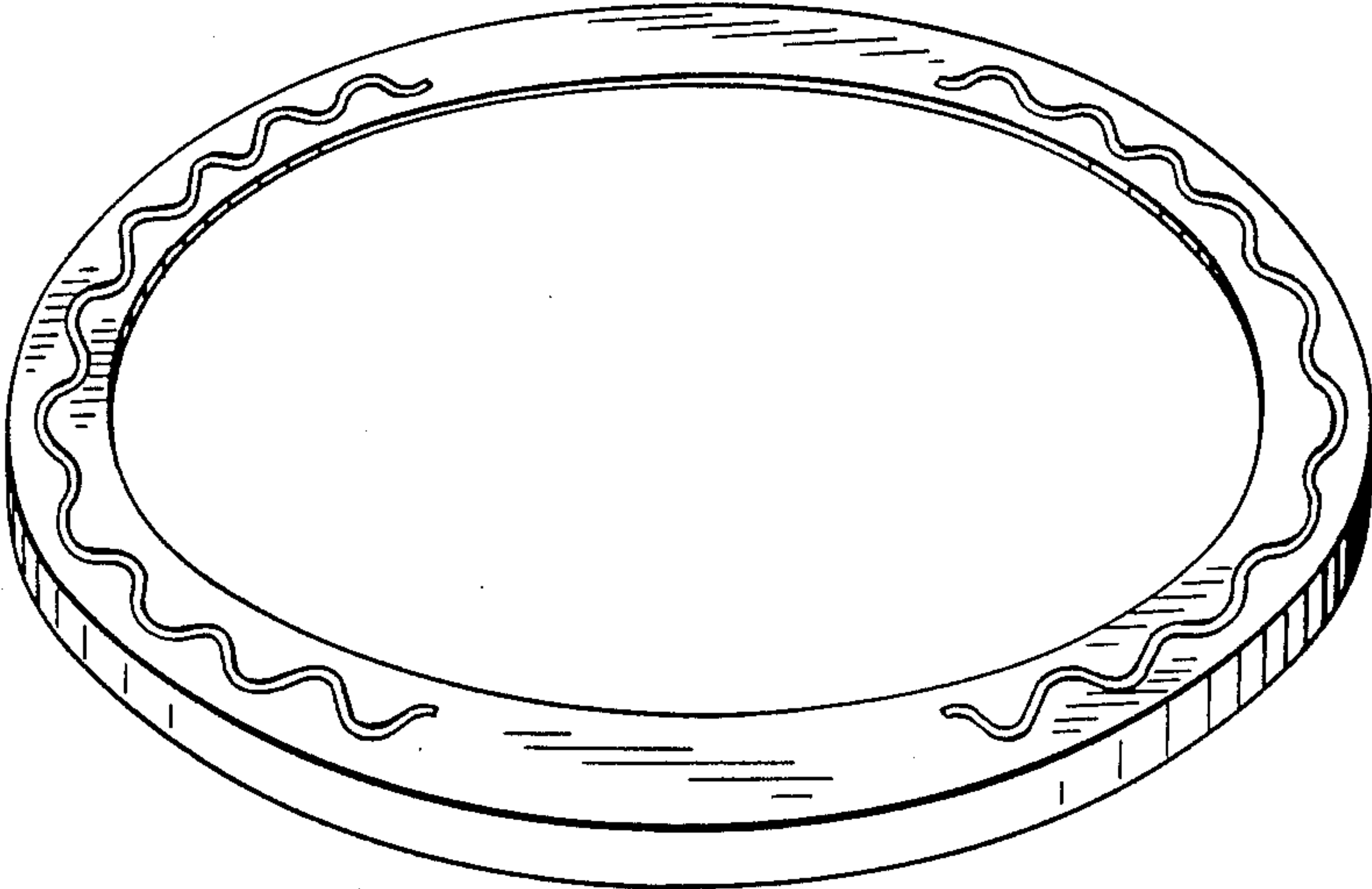


FIG. 2

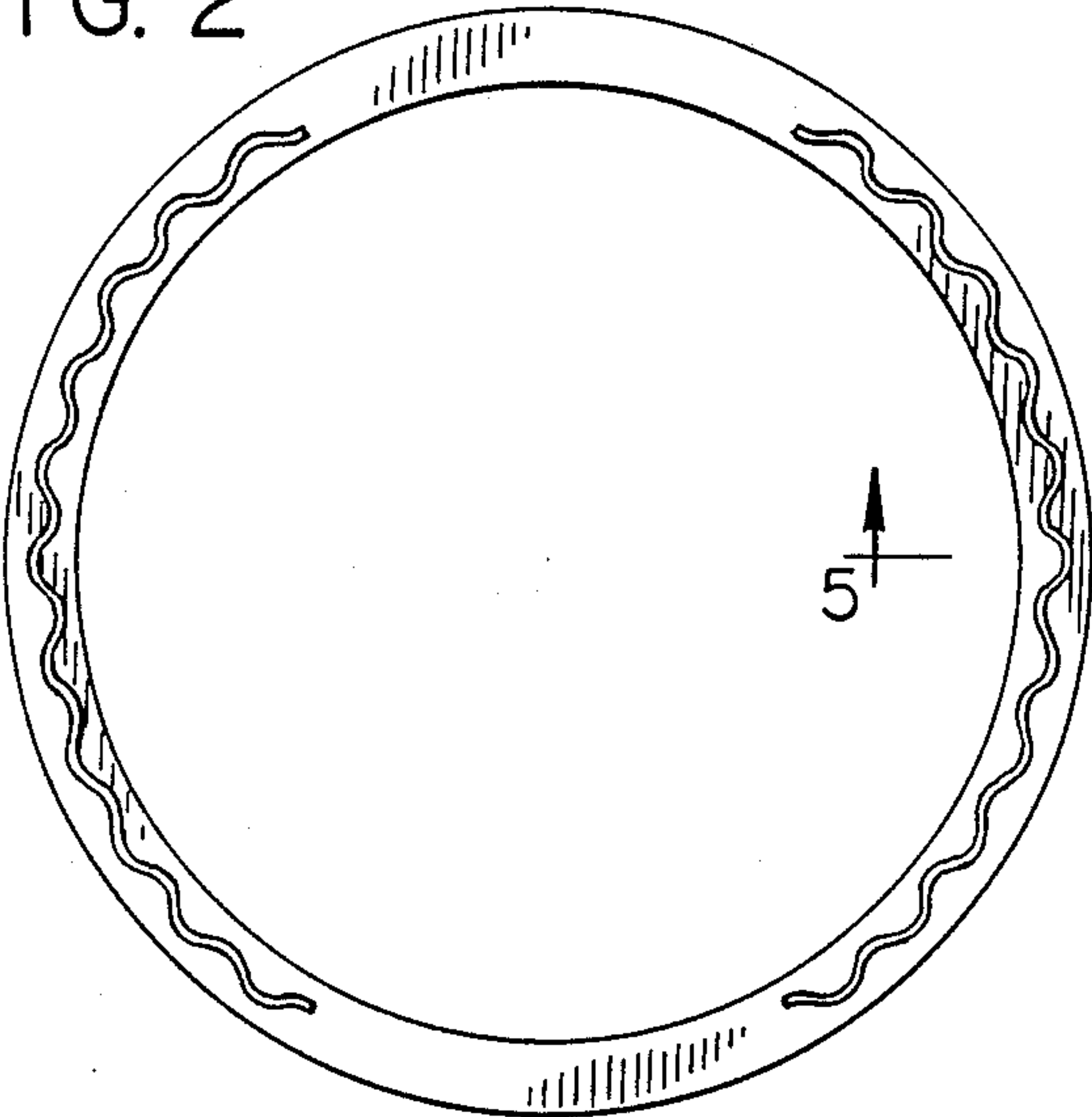


FIG. 3



FIG. 4

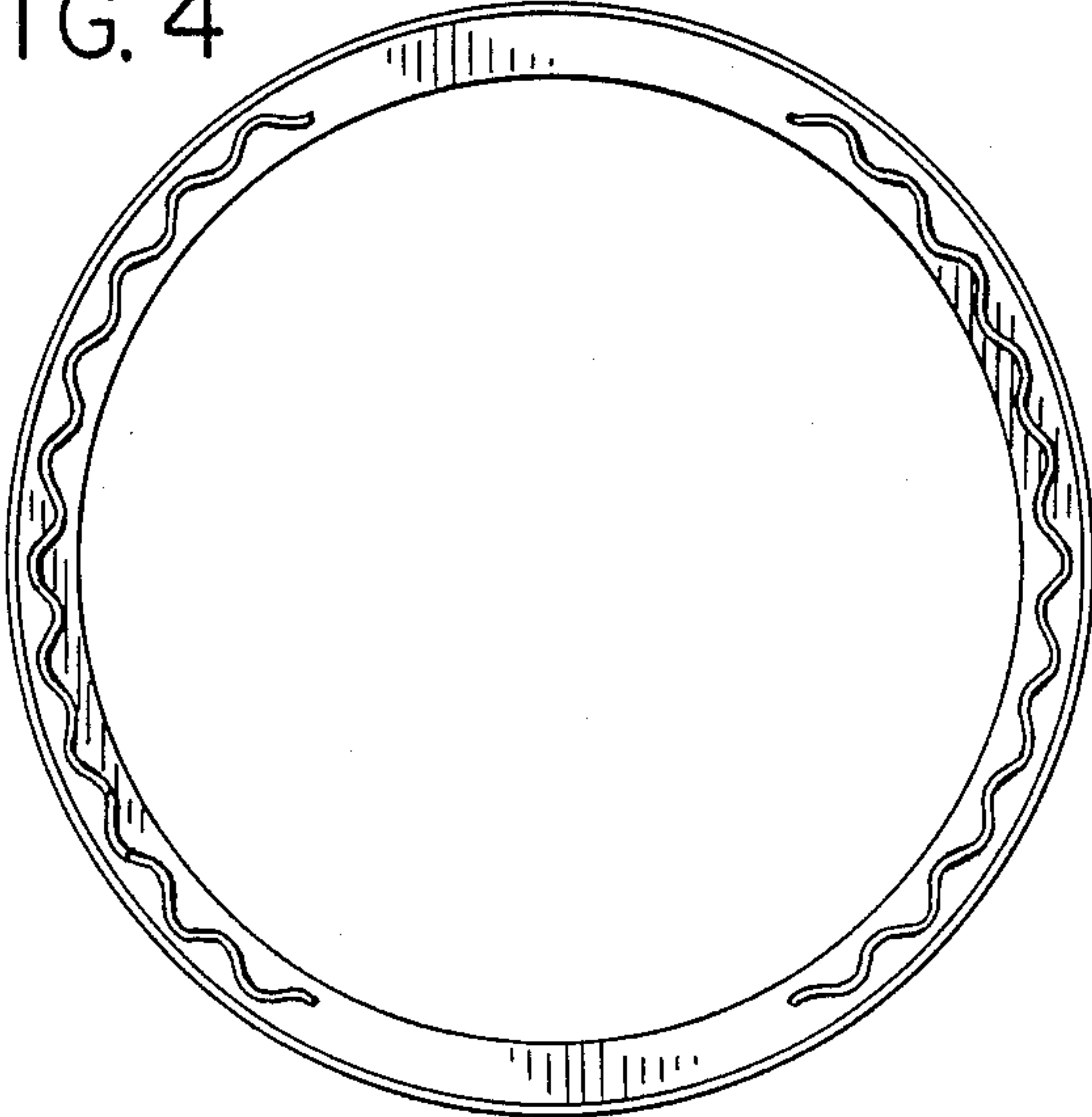


FIG. 5

