

# United States Patent [19]

Nishibori

[11] Patent Number: Des. 303,906

[45] Date of Patent: \*\* Oct. 10, 1989

[54] MICROWAVE OVEN

[75] Inventor: Hiroshi Nishibori, Osaka, Japan

[73] Assignee: Sharp Kabushiki Kaisha, Osaka, Japan

[\*\*] Term: 14 Years

[21] Appl. No.: 78,474

[22] Filed: Jul. 27, 1987

[30] Foreign Application Priority Data

Feb. 19, 1987 [JP] Japan ..... 62-6393

[52] U.S. Cl. .... D7/351

[58] Field of Search ..... D7/350, 351;  
219/10.55 R, 10.55 A, 10.55 B, 10.55 C, 10.55  
D, 10.55 F, 10.55 M

[56] References Cited

## U.S. PATENT DOCUMENTS

D. 292,259 10/1987 Ishibashi ..... D7/351

D. 295,357 4/1988 Kubo et al. .... D7/351

D. 299,306 1/1989 Yoshida ..... D7/351

D. 301,109 5/1989 Kawaishi ..... D7/351

Primary Examiner—Bruce W. Dunkins

Assistant Examiner—Ruth Takemoto

Attorney, Agent, or Firm—Flehr, Hohbach, Test,  
Albritton & Herbert

[57] CLAIM

The ornamental design for a microwave oven, as shown  
and described.

## DESCRIPTION

FIG. 1 is a perspective view of a microwave oven  
showing my new design;

FIG. 2 is a front elevational view thereof;

FIG. 3 is a front elevational view thereof with the oven  
door open;

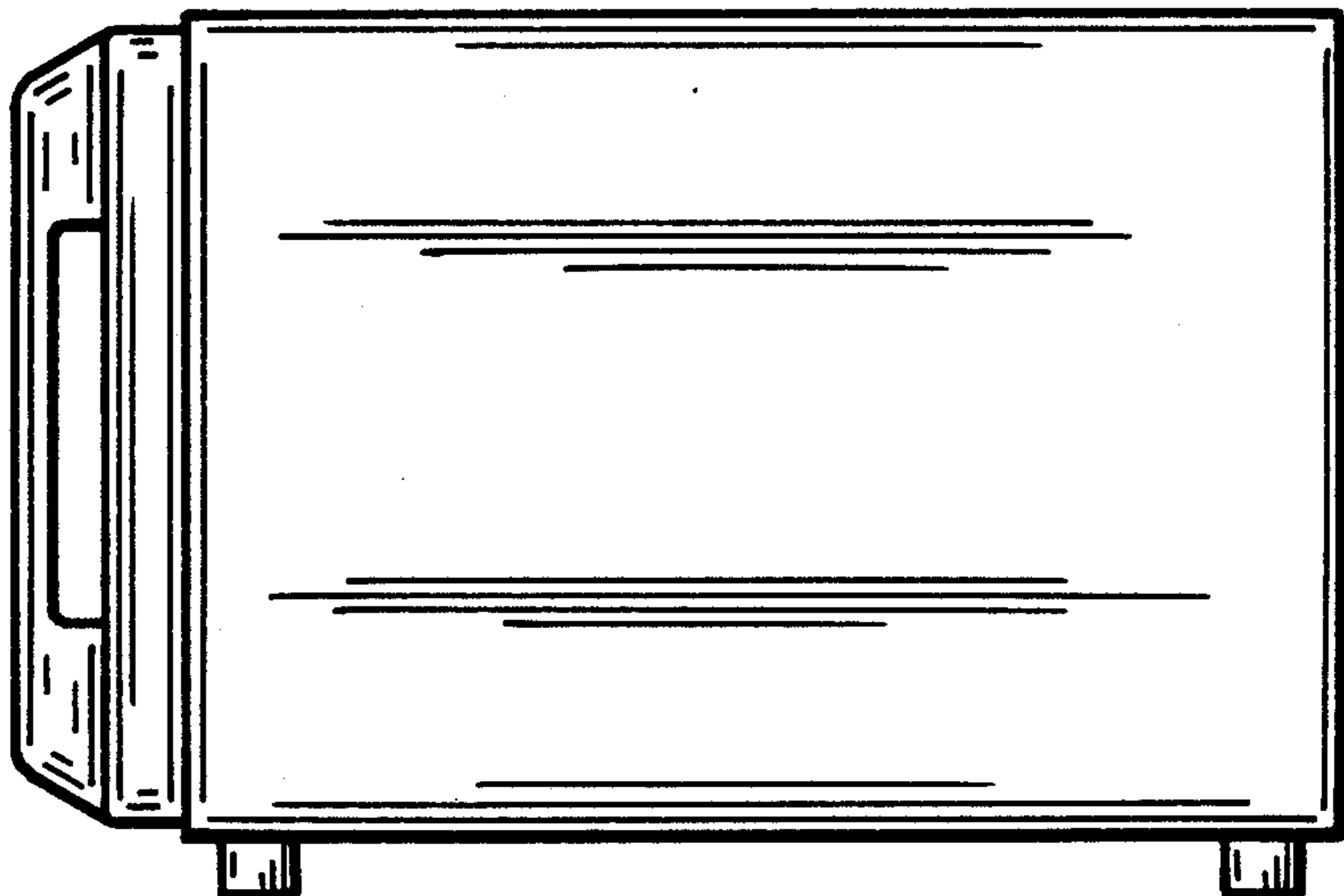
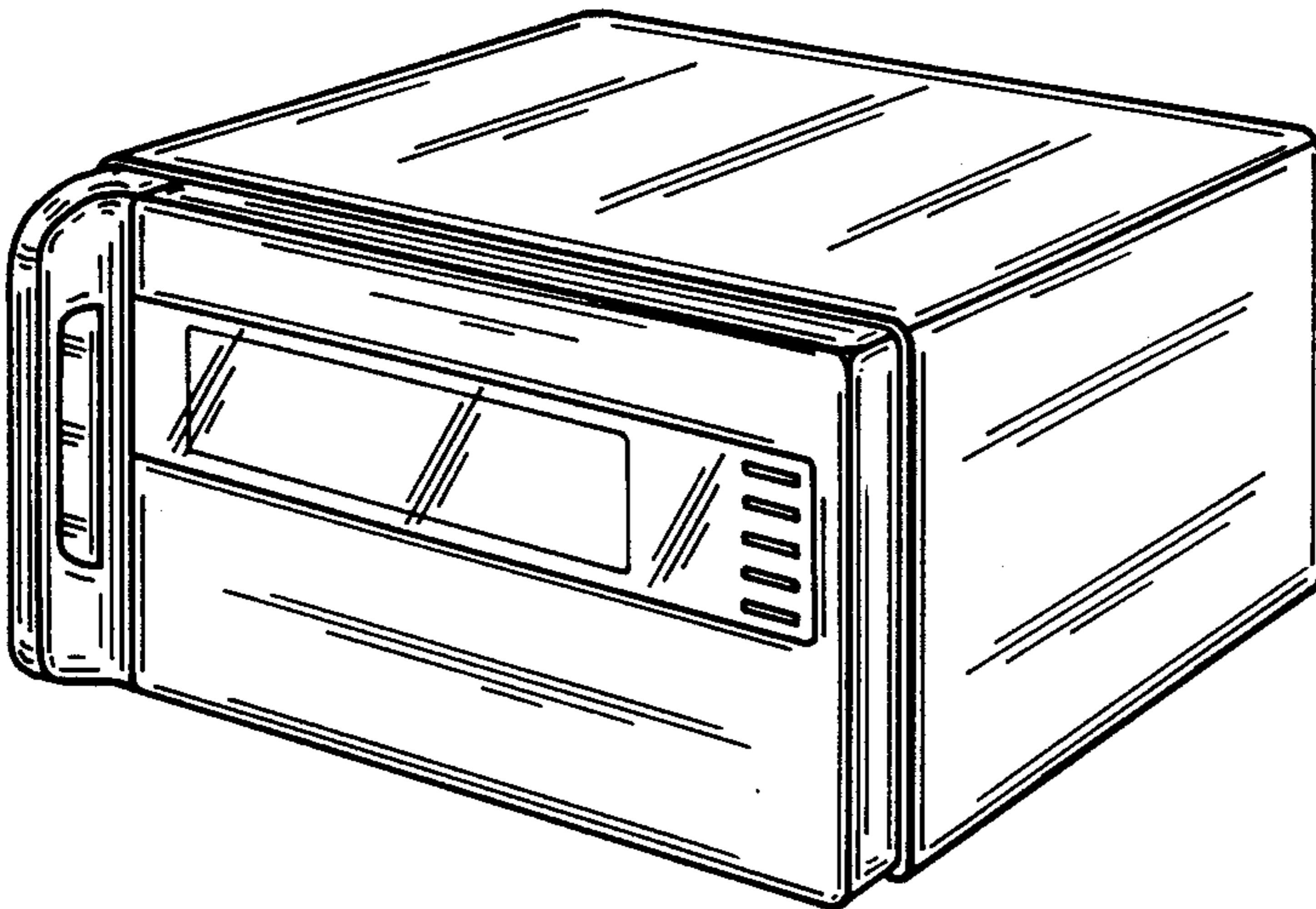
FIG. 4 is a rear elevational view thereof;

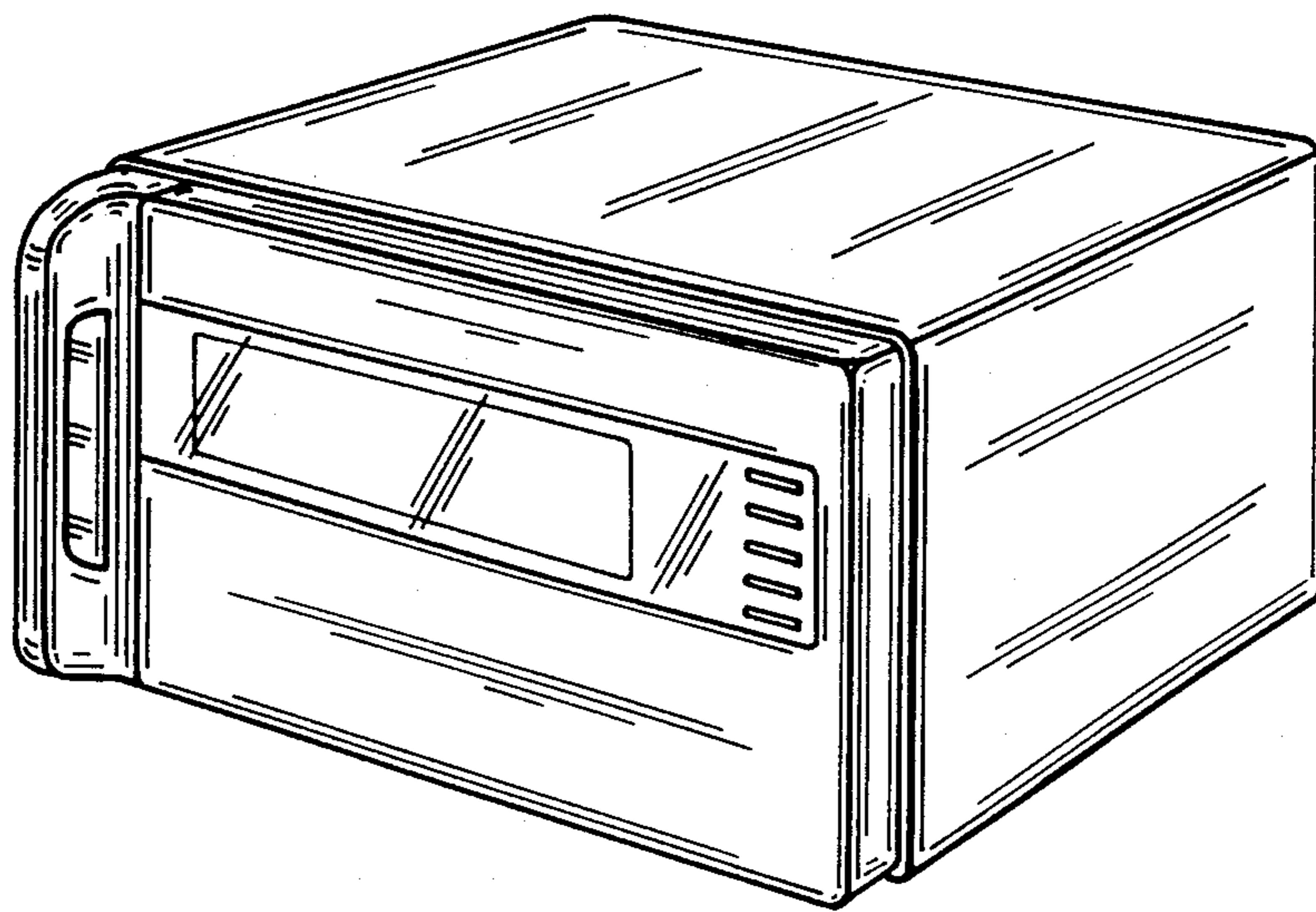
FIG. 5 is a right side elevational view thereof;

FIG. 6 is a left side elevational view thereof;

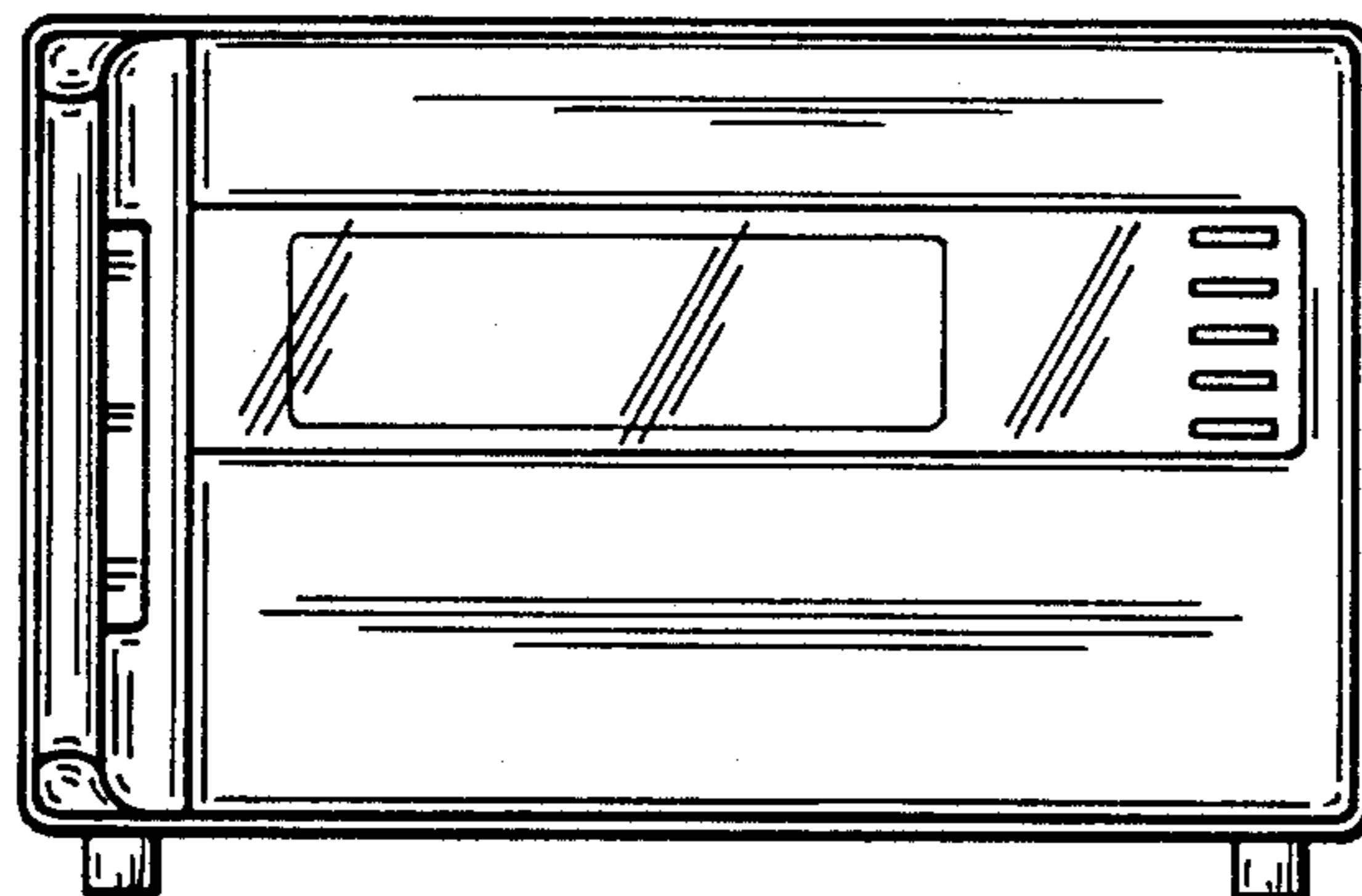
FIG. 7 is a top plan view thereof; and

FIG. 8 is a bottom plan view thereof.

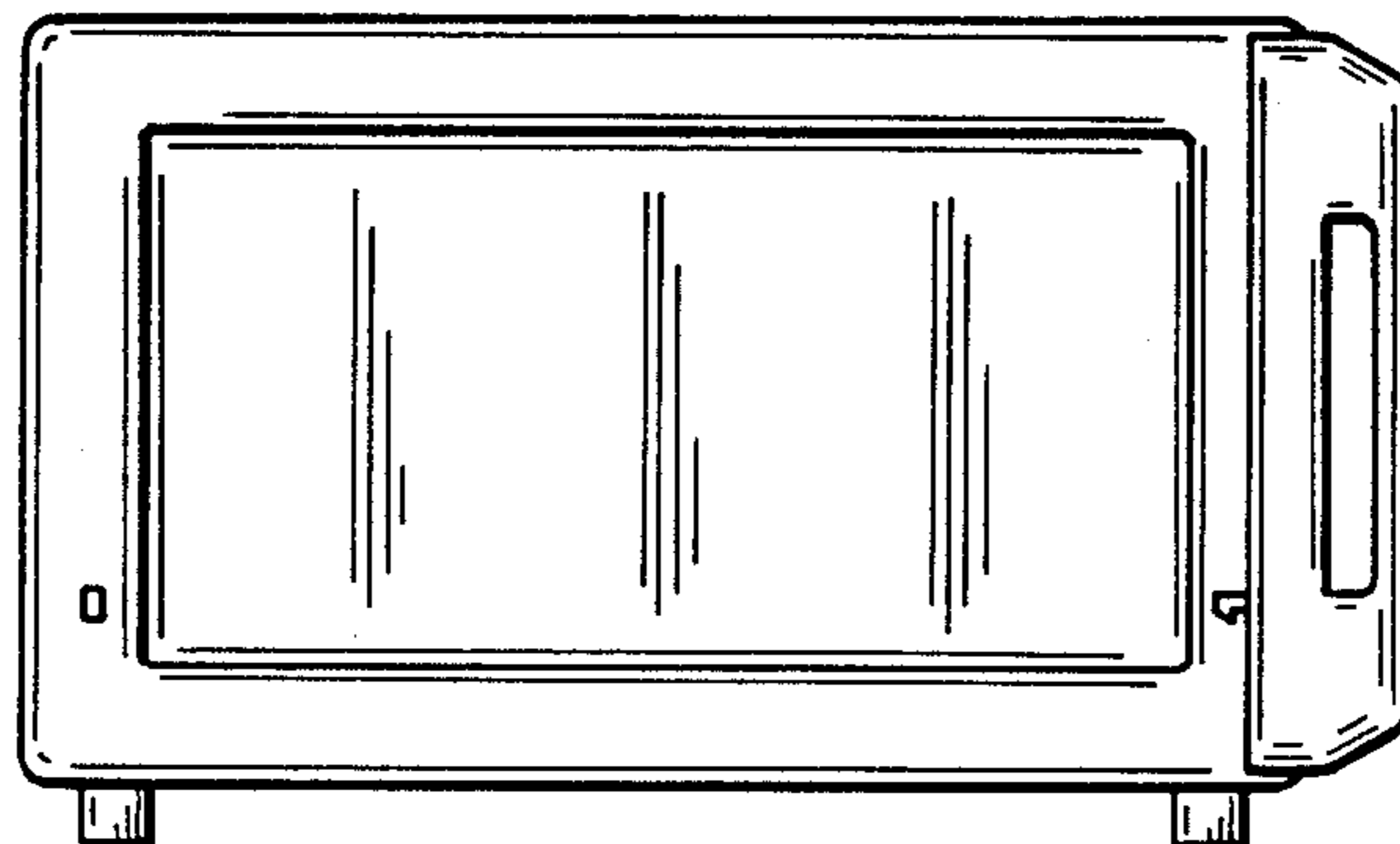




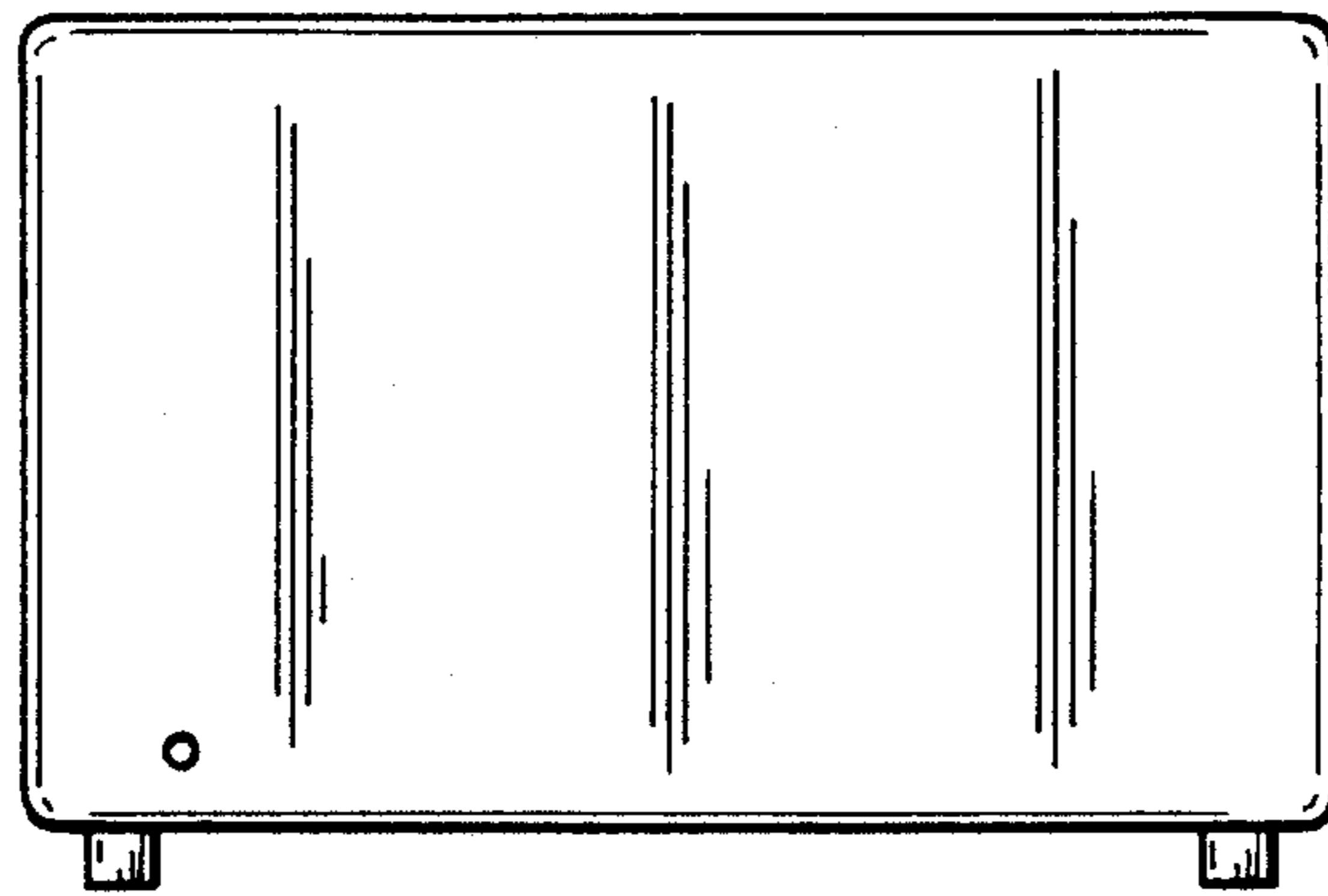
*FIG\_1*



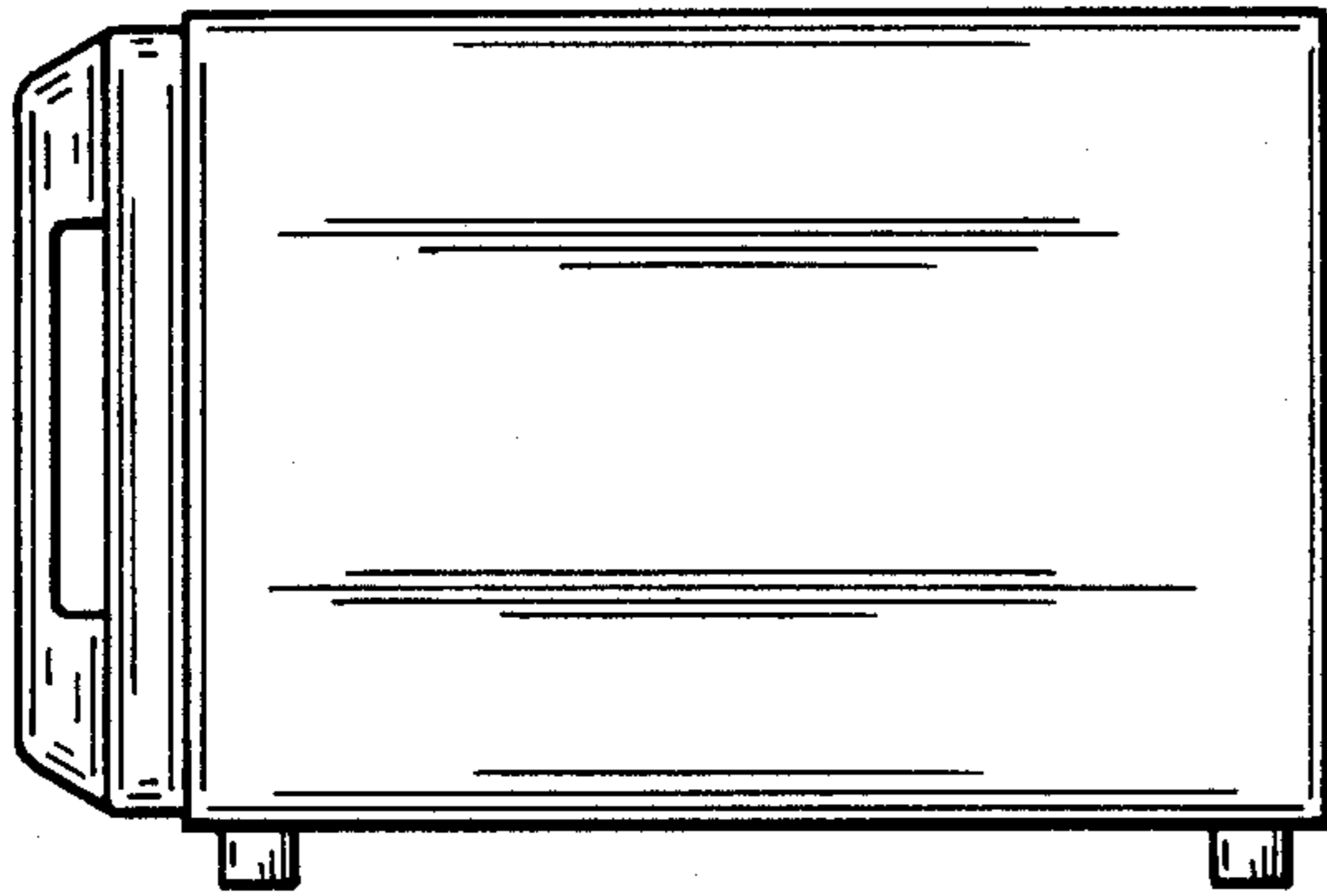
*FIG\_2*



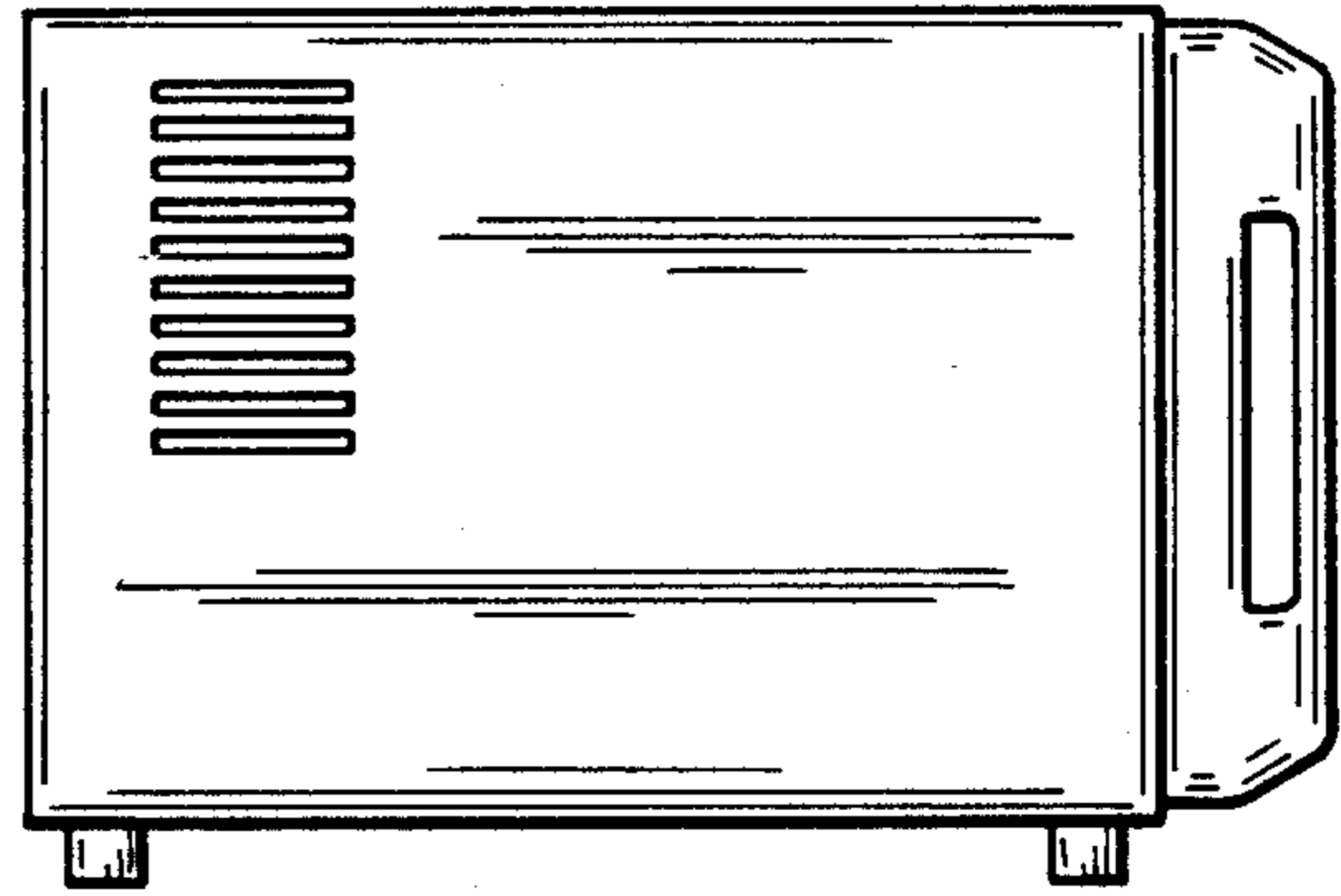
*FIG\_3*



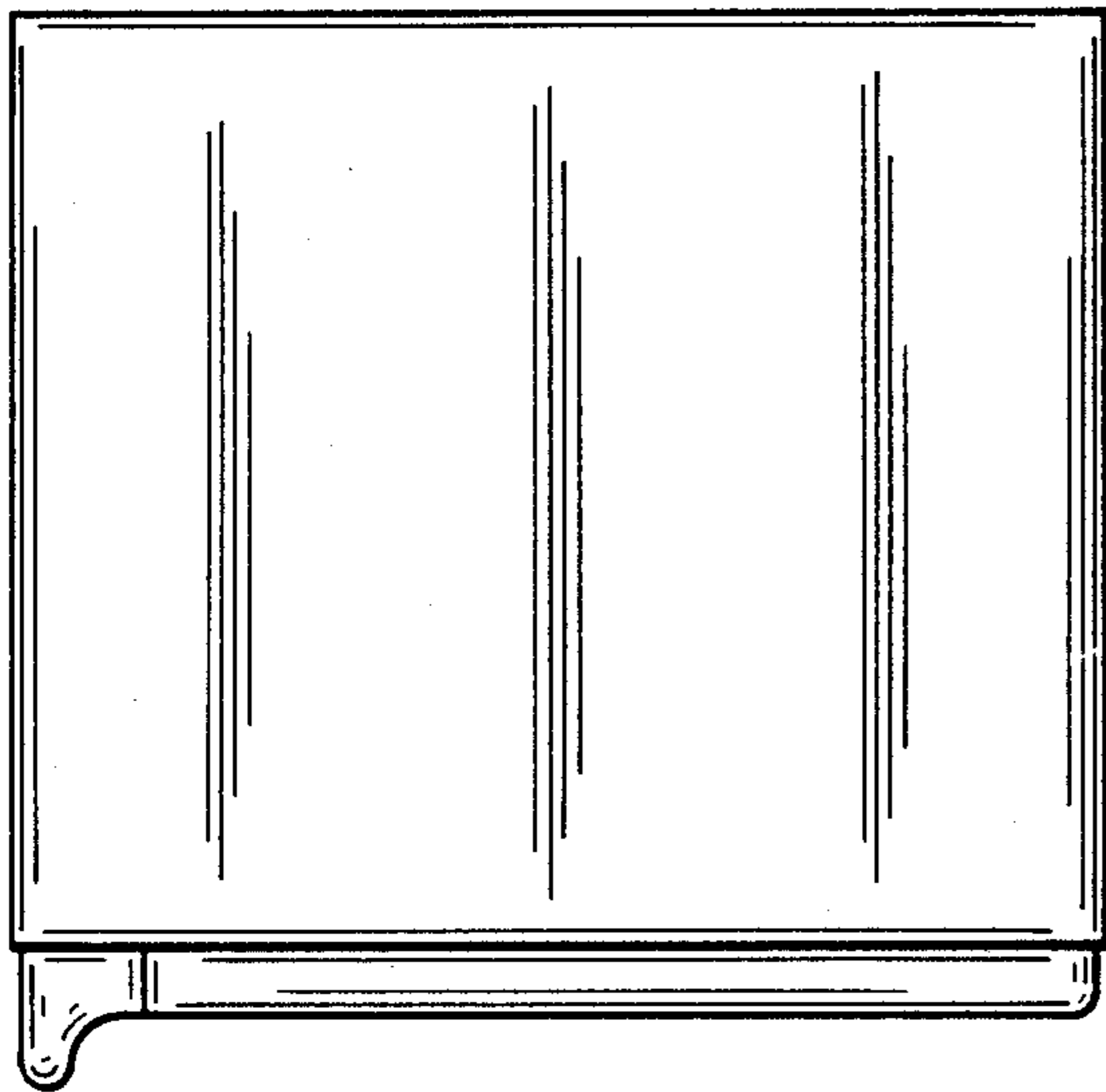
FIG\_4



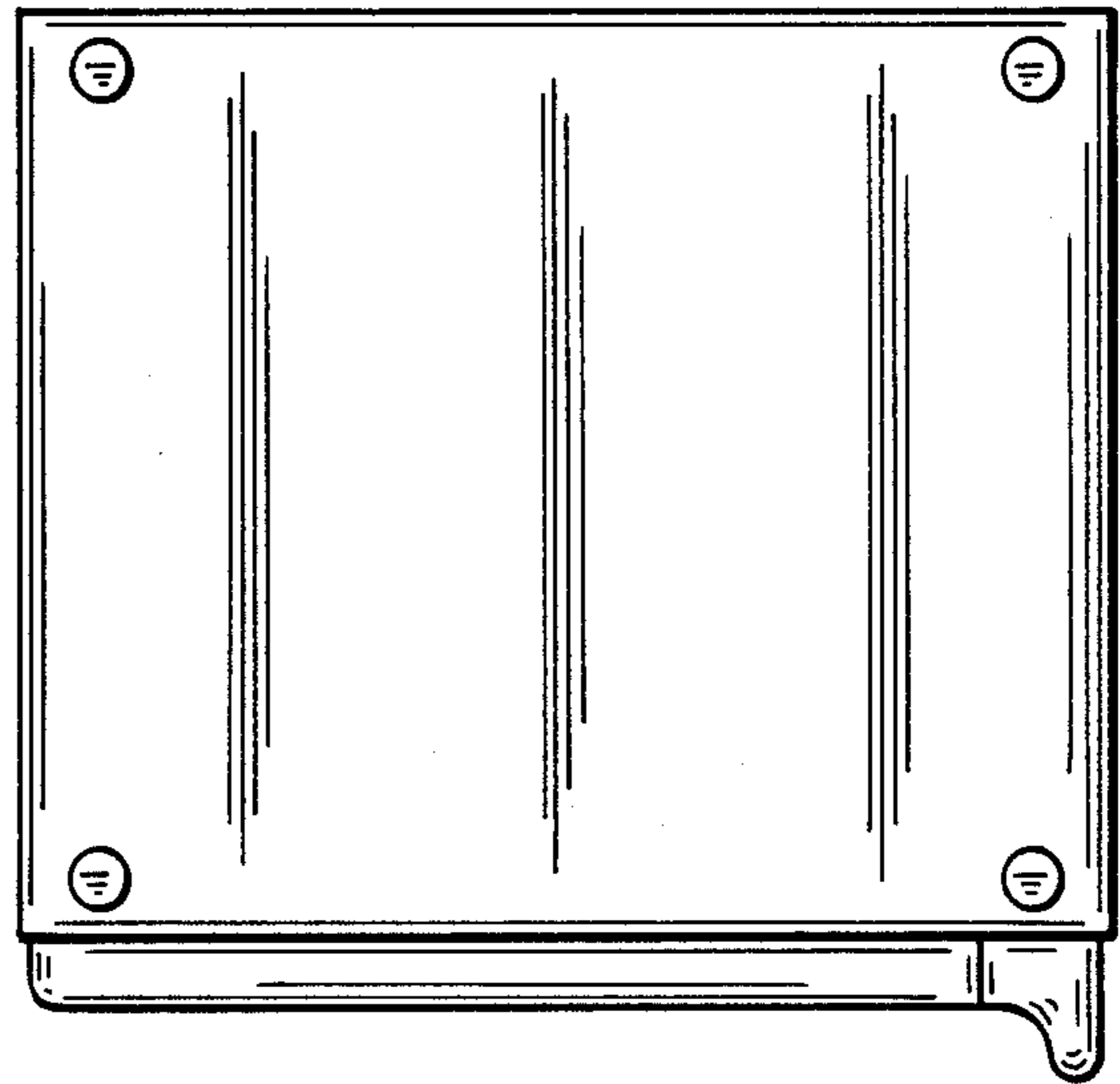
FIG\_5



FIG\_6



FIG\_7



FIG\_8