

[54] AUTOMATIC COFFEE MAKER

[75] Inventors: **Yoshiaki, Ueda, Osaka; Kazunori Mano, Hyogo, both of Japan**

[73] Assignee: **Matsushita Electric Industrial Co., Ltd., Osaka, Japan**

[\*\*] Term: **14 Years**

[21] Appl. No.: **923,072**

[22] Filed: **Oct. 24, 1986**

[52] U.S. Cl. .... **D7/309; D7/305**

[58] Field of Search ..... **D7/309, 300, 305, 308, D7/311**

[56] **References Cited**

**U.S. PATENT DOCUMENTS**

- D. 296,408 6/1988 Gaunt et al. .... D7/308
- 3,220,334 11/1965 Martin ..... D7/309 X
- 4,503,757 3/1985 Daugherty ..... D7/309 X

**OTHER PUBLICATIONS**

*Design 388*, Apr., 1981, p. 43, item #11 at middle right, "Siemen's Coffee Maker"—Porcelain Filter and Jug. *Schoner Wohnen*, Nov., 1982, p. 43 SW, Espresso Coffee Center by "Siemens".

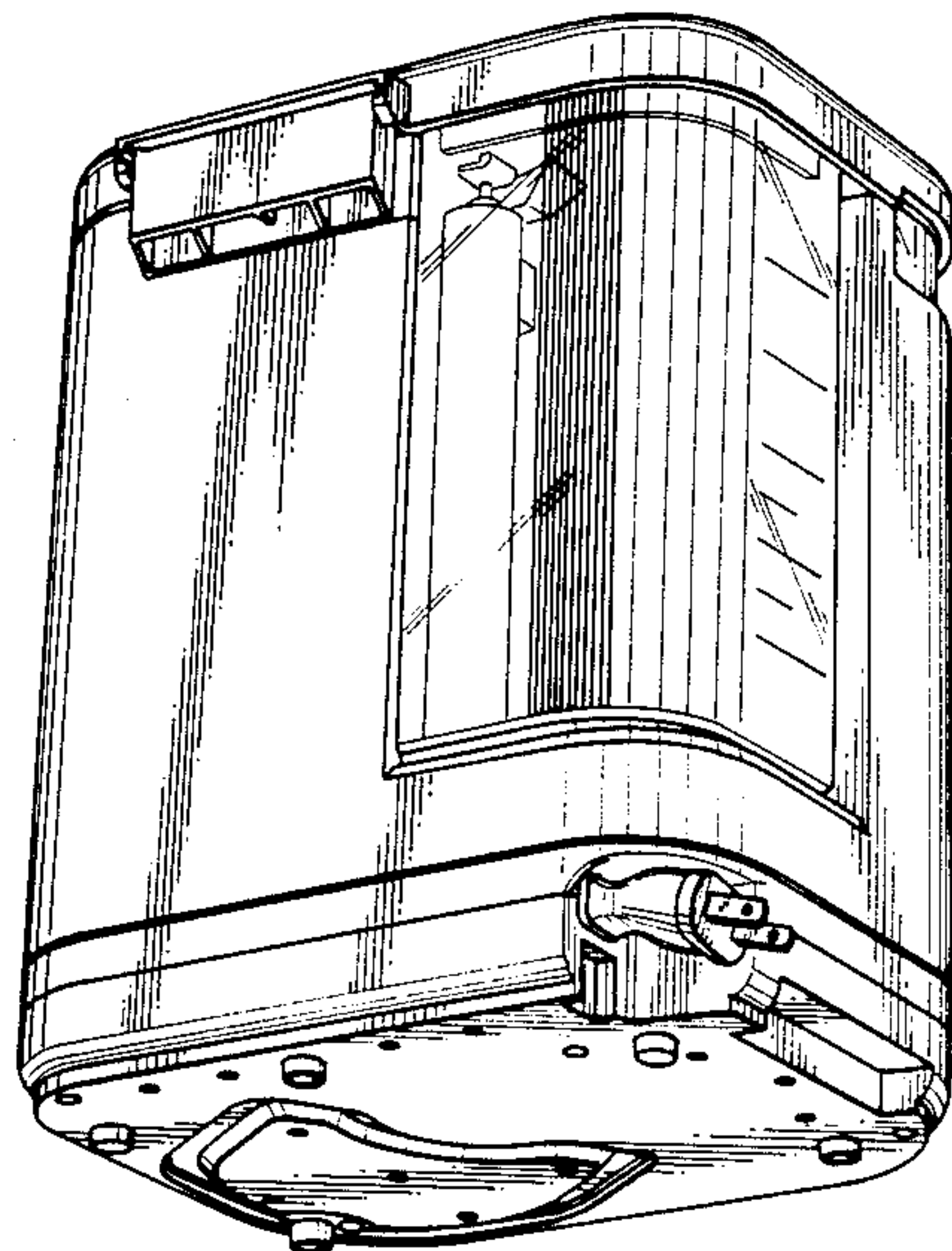
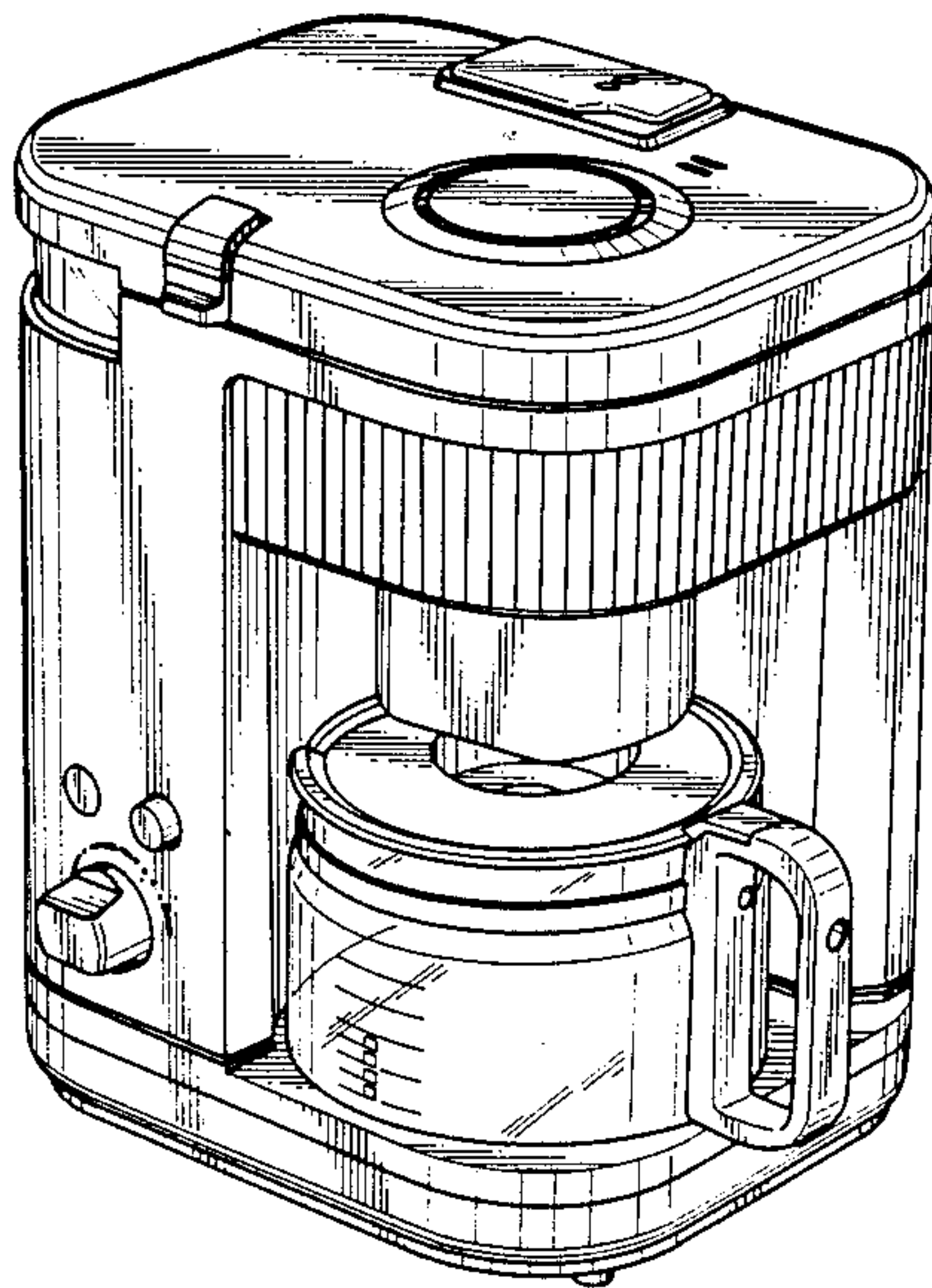
*Primary Examiner*—Winifred E. Herrmann  
*Attorney, Agent, or Firm*—Sughrue, Mion, Zinn, Macpeak & Seas

[57] **CLAIM**

The ornamental design for an automatic coffee maker, as shown.

**DESCRIPTION**

FIG. 1 is a front, top and right side perspective view of an automatic coffee maker showing our new design; FIG. 2 is a rear, bottom and left side perspective view thereof; FIG. 3 is a front elevational view thereof; FIG. 4 is a top plan view thereof; FIG. 5 is a rear elevational view thereof; FIG. 6 is a bottom plan view thereof; FIG. 7 is a left side elevational view thereof; and FIG. 8 is a right side elevational view thereof.



*Fig. 1*

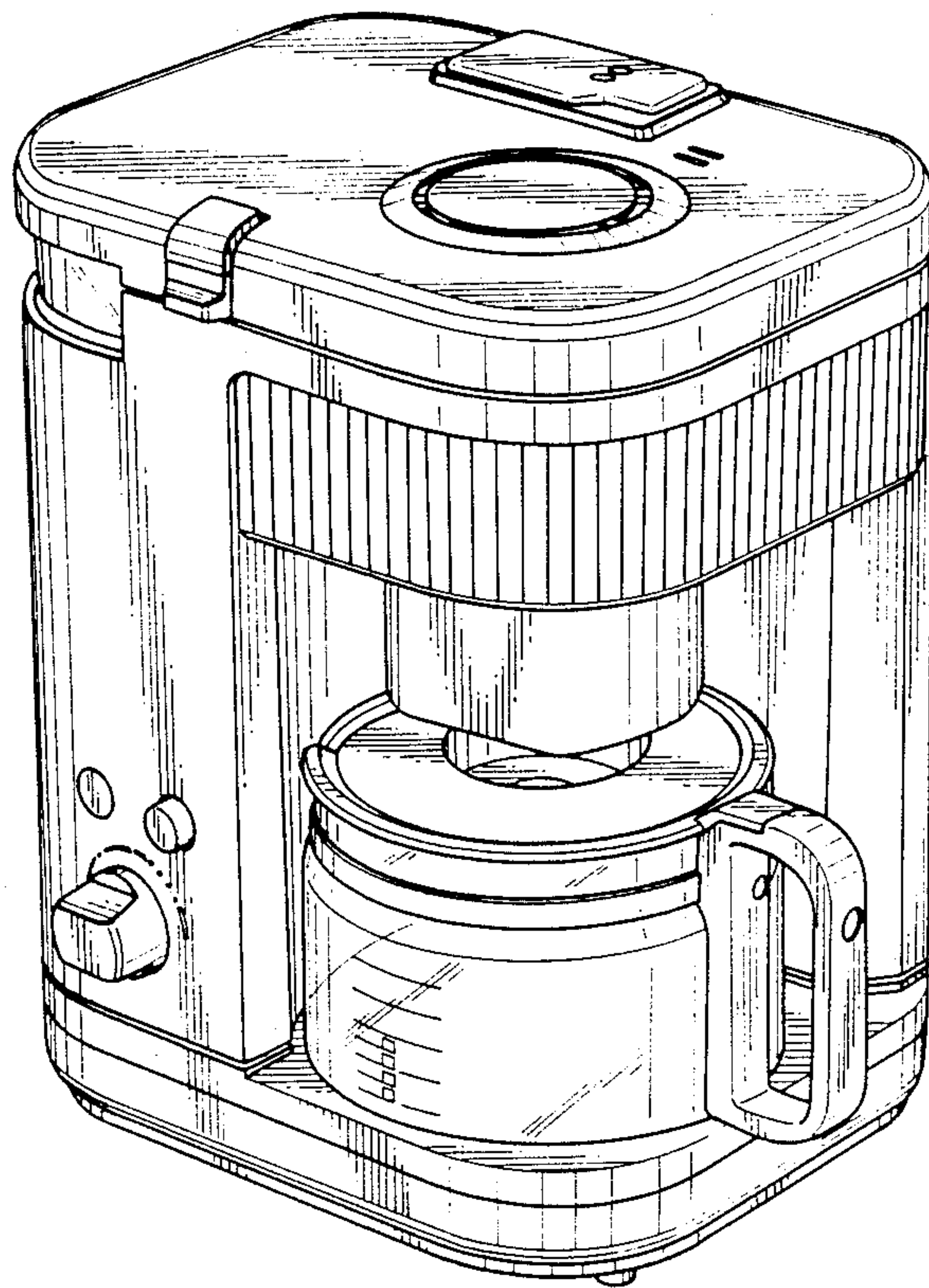


Fig. 2

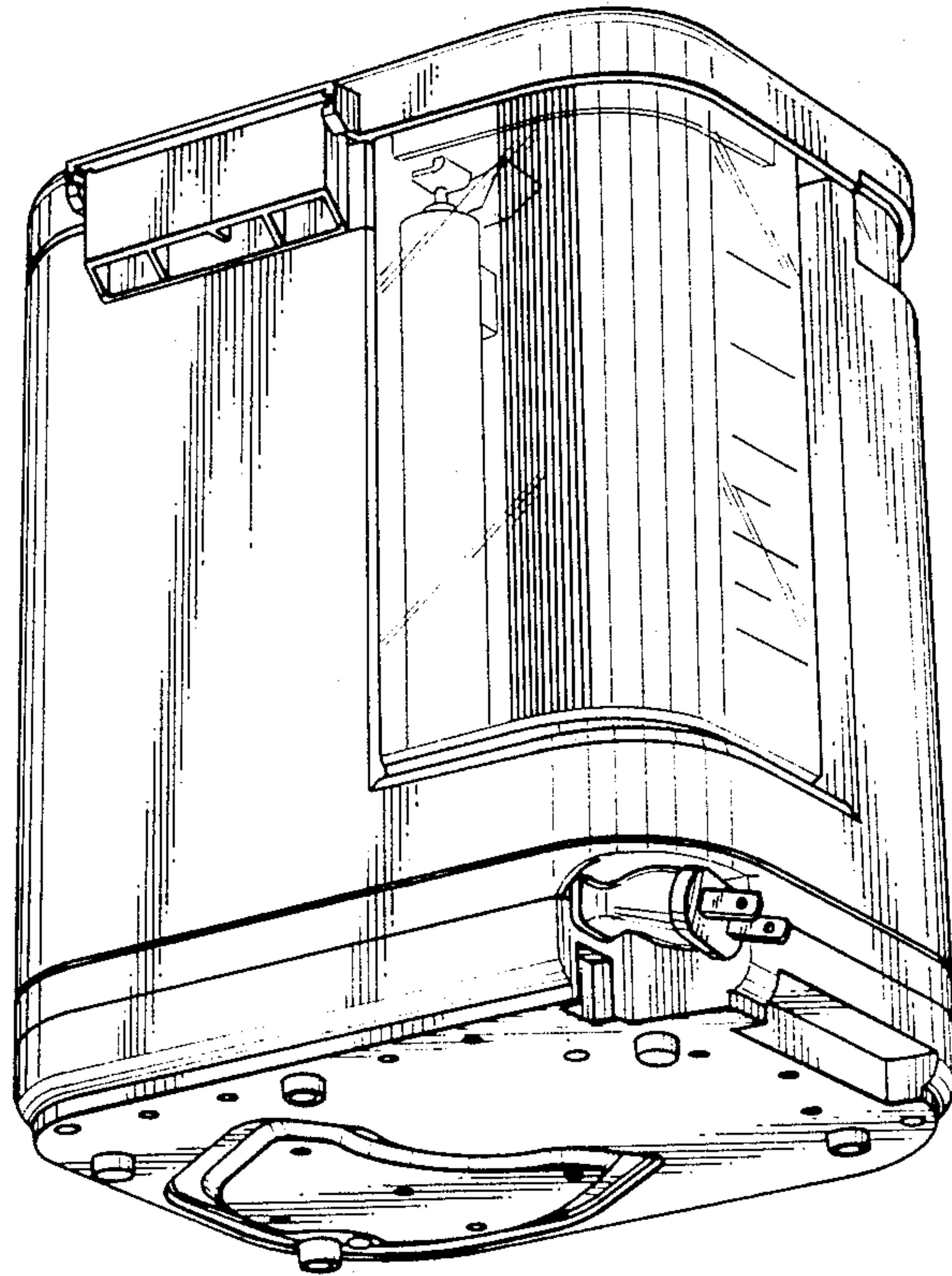


Fig. 3

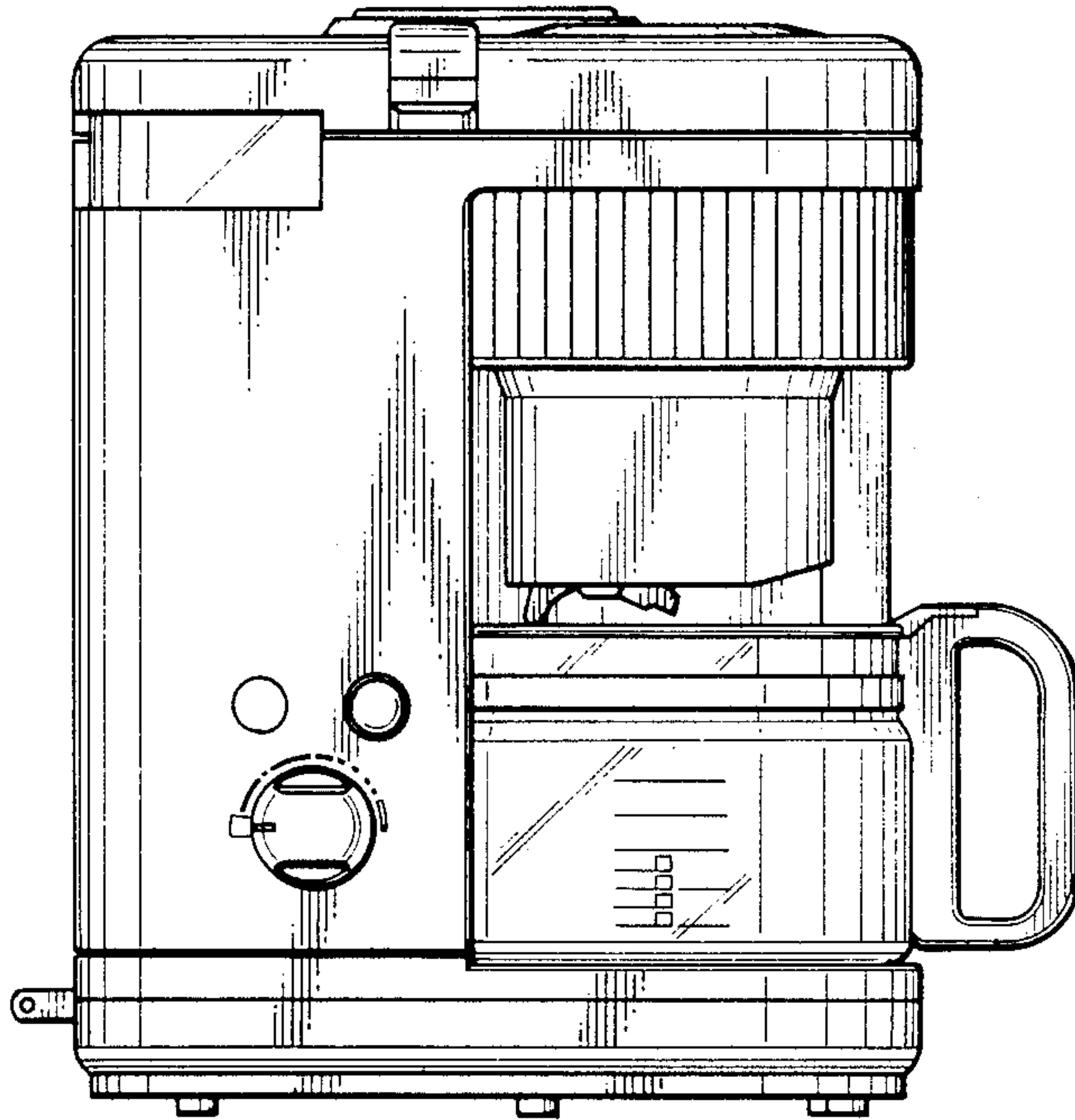
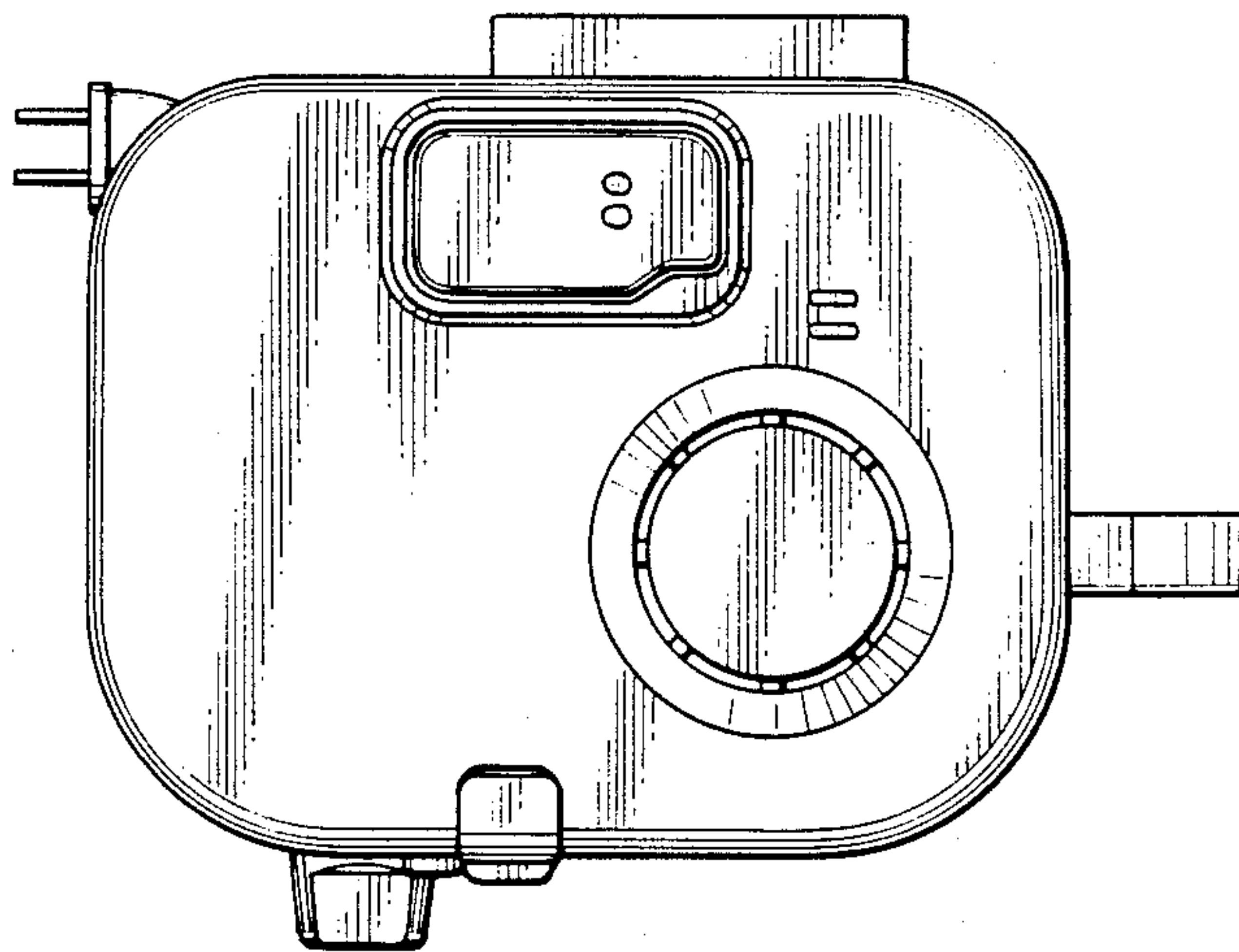
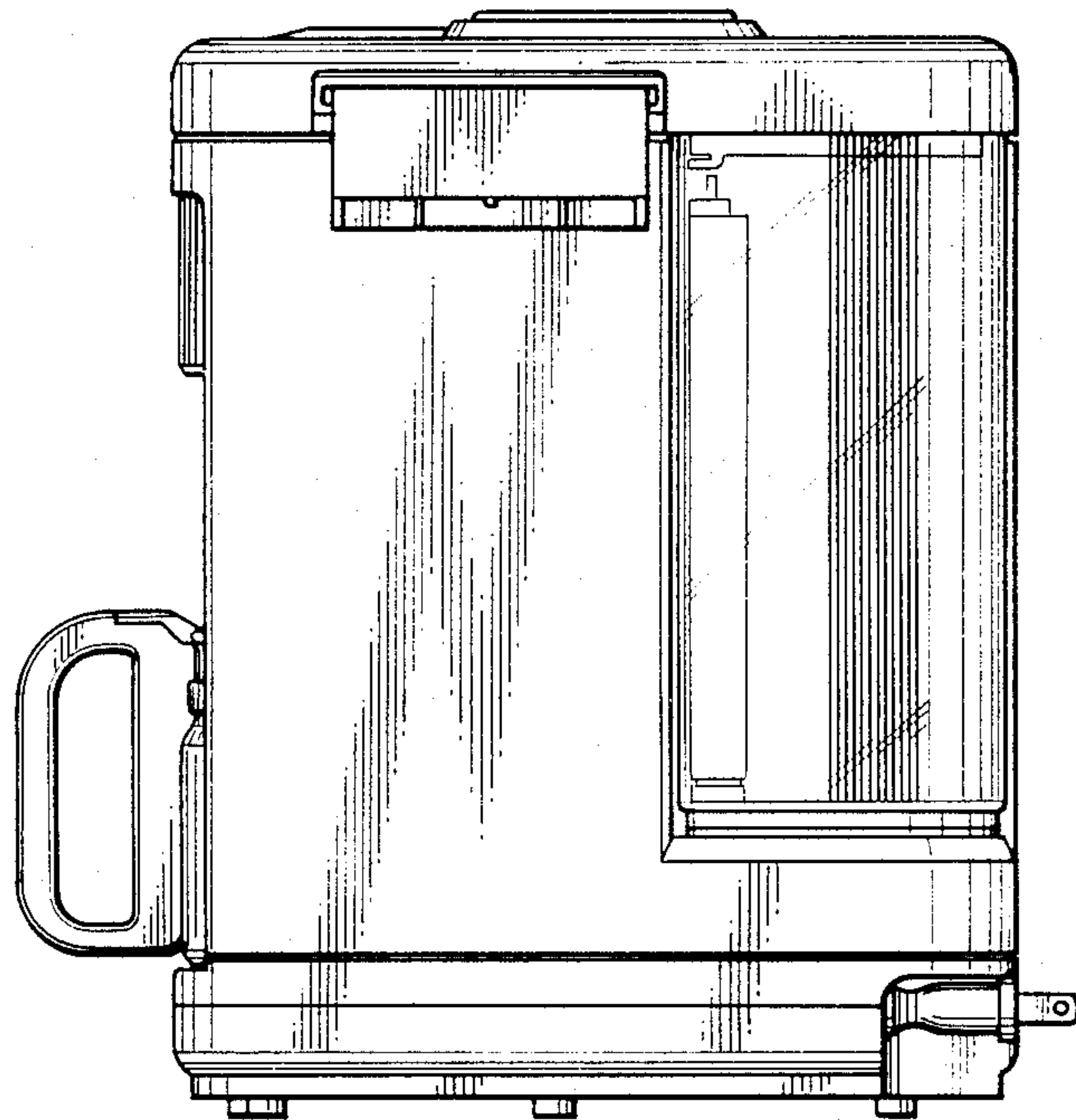


Fig. 4

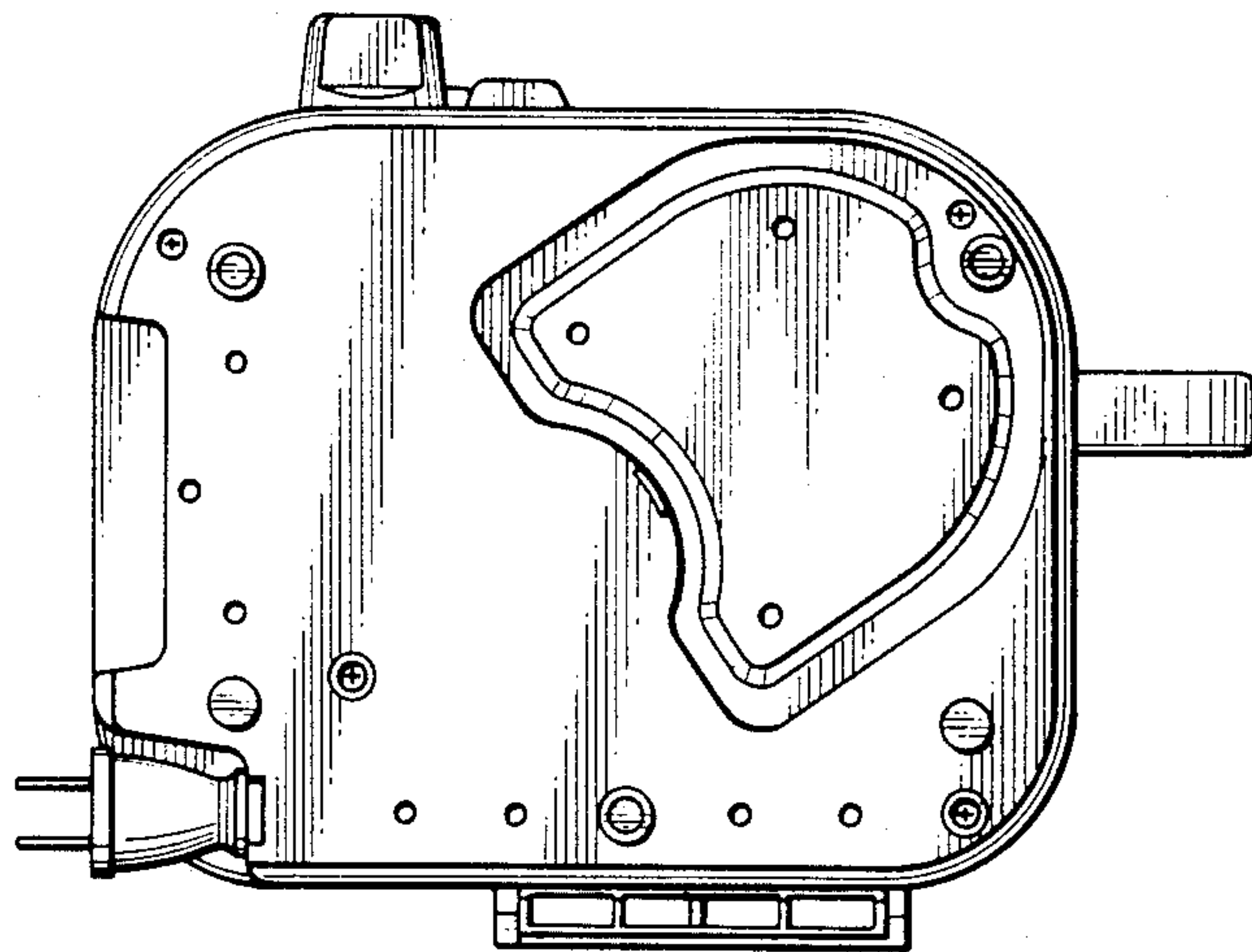




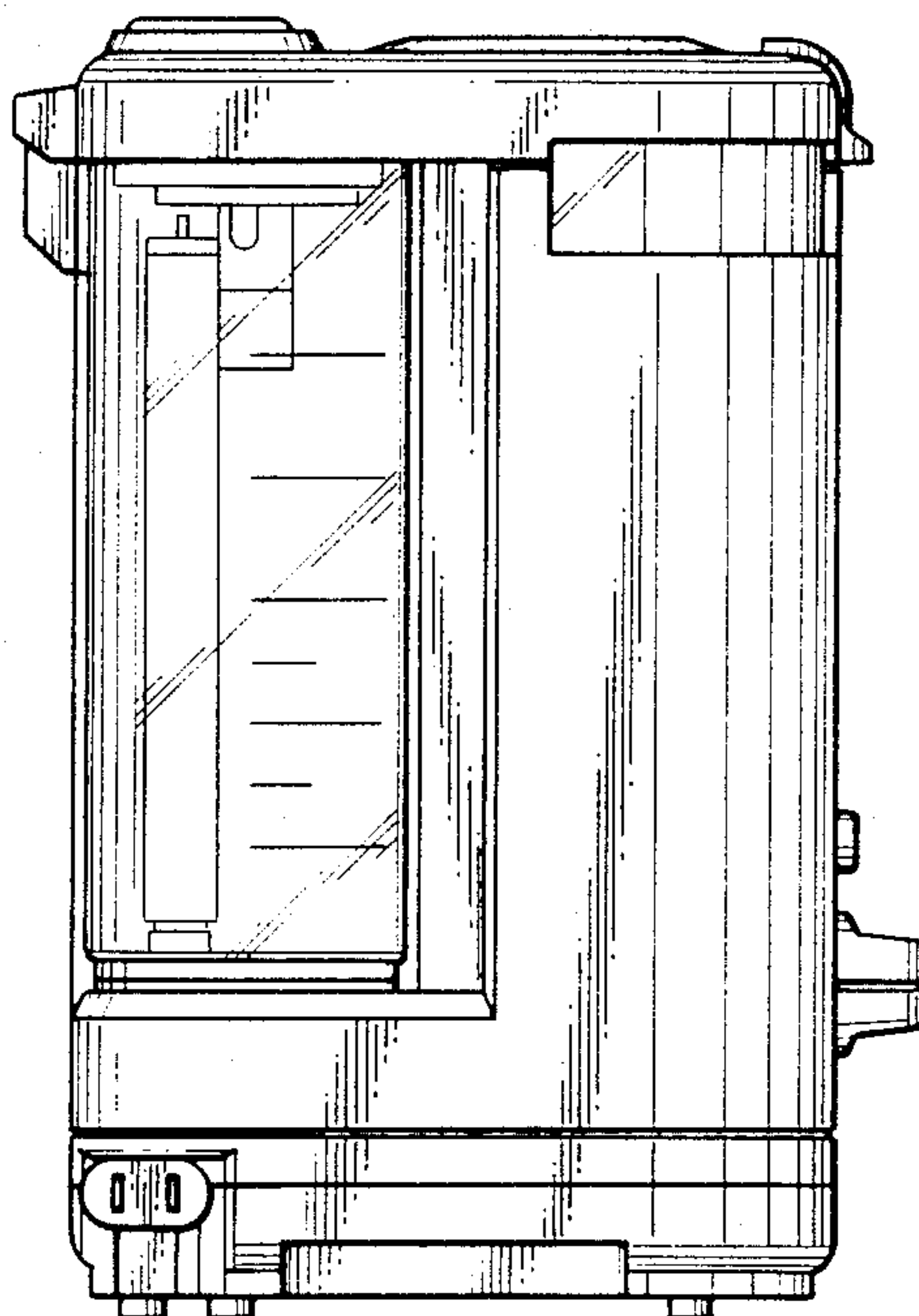
*Fig. 5*



*Fig. 6*



*Fig. 7*



*Fig. 8*

