

[54] FOLDABLE BEACH EQUIPMENT CARRIER

[76] Inventors: Donnie W. Higson, 711 N. Green St., Greenville, N.C. 27834; Michael E. Higson, Route 5, Box 28, Conway, S.C. 29582

[*] Notice: The portion of the term of this patent subsequent to Aug. 29, 2003 has been disclaimed.

[**] Term: 14 Years

[21] Appl. No.: 916,095

[22] Filed: Oct. 6, 1986

[52] U.S. Cl. D6/429; D6/449

[58] Field of Search D6/335, 336; D34/24, D34/26

[56] References Cited

U.S. PATENT DOCUMENTS

D. 211,165	5/1968	Kreider	D6/335
D. 278,373	4/1985	Rousseau	D34/26
D. 285,871	9/1986	Stenwall	D6/336
D. 288,991	3/1987	Noga	D6/336
4,687,249	8/1987	Mills	D6/335
4,776,603	10/1988	Watts	D34/24

Primary Examiner—Bruce W. Dunkins

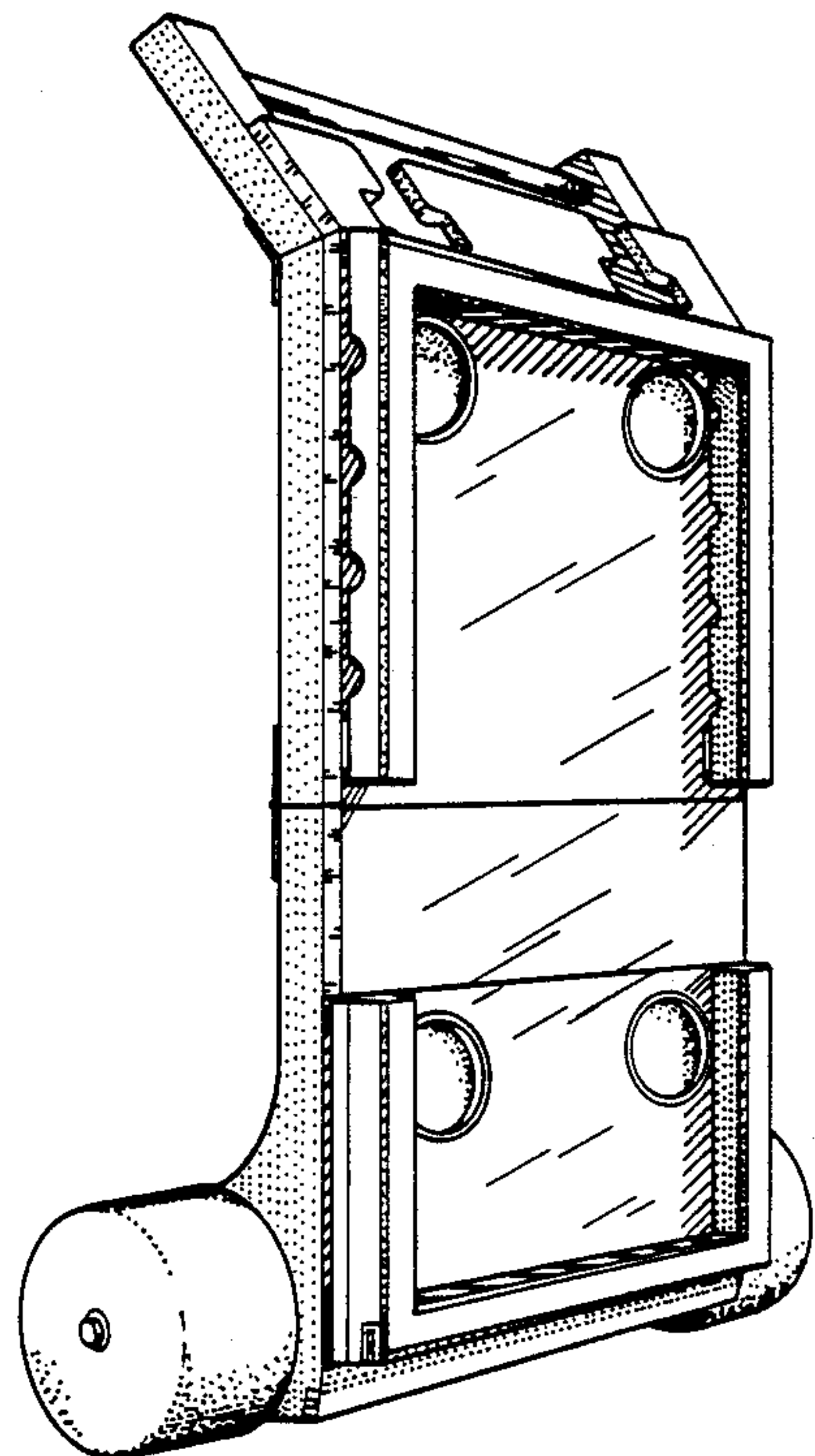
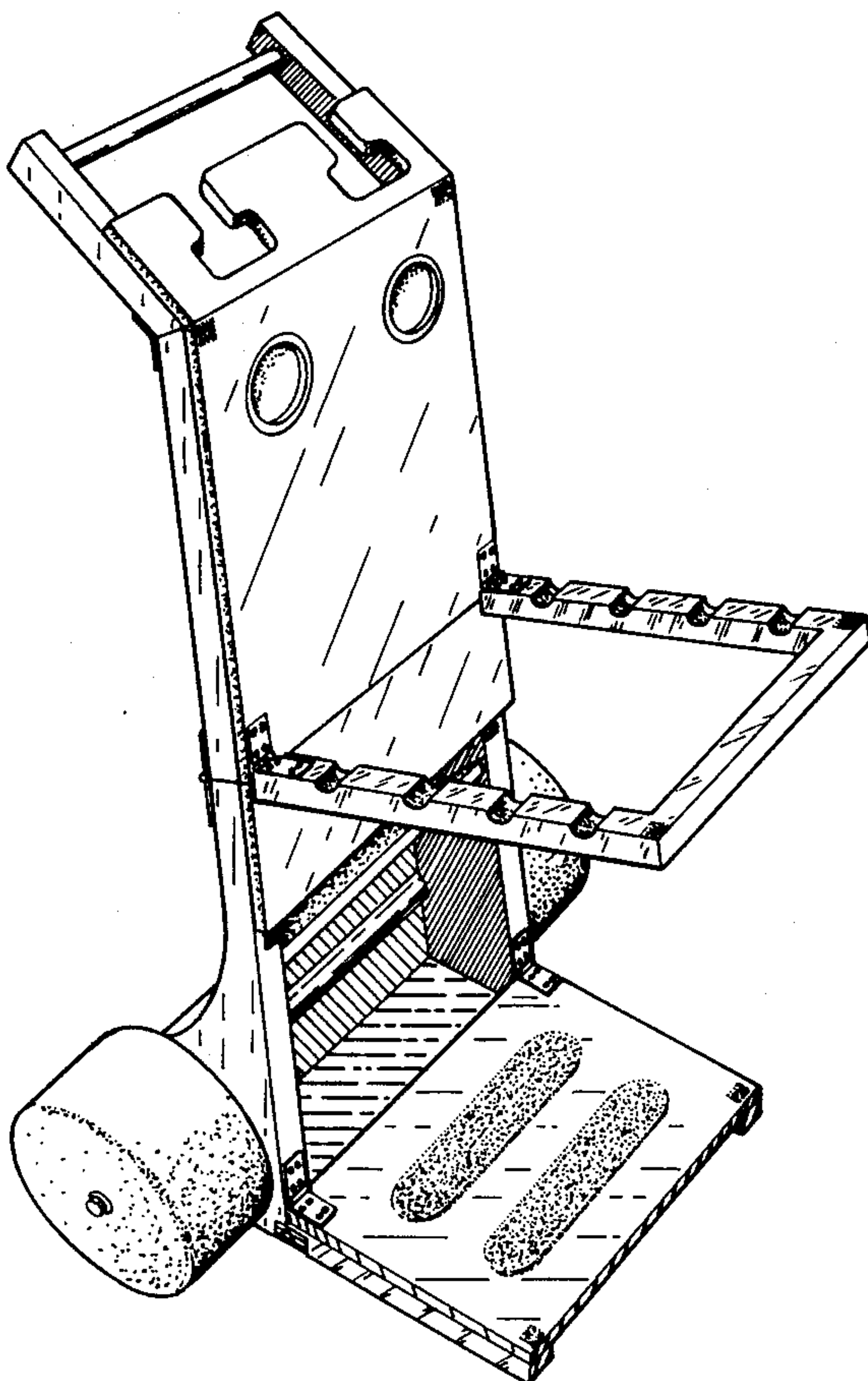
Assistant Examiner—Ann Hunt
Attorney, Agent, or Firm—Rhodes, Coats & Bennett

[57] CLAIM

The ornamental design for a foldable beach equipment carrier, as shown and described.

DESCRIPTION

FIG. 1 is a front perspective view of a foldable beach equipment carrier showing our new design; FIG. 2 is a side elevational view, the opposite side view being a mirror image thereof; FIG. 3 is a top plan view thereof, FIG. 4 is a bottom plan view thereof, FIG. 5 is a rear elevational view thereof; and FIG. 6 is a front elevational view thereof, FIG. 7 is a front perspective view of a second embodiment of FIG. 1; FIG. 8 is a side elevational view, the opposite side being a mirror image thereof; FIG. 9 is a top plan view thereof, FIG. 10 is a bottom plan view thereof, FIG. 11 is a rear elevational view thereof, FIG. 12 is a front elevational view thereof, FIG. 13 is a perspective view of the embodiment of FIG. 1 with the shelves in closed position; and FIG. 14 is a side elevational view of the embodiment of FIG. 1 shown in folded position.



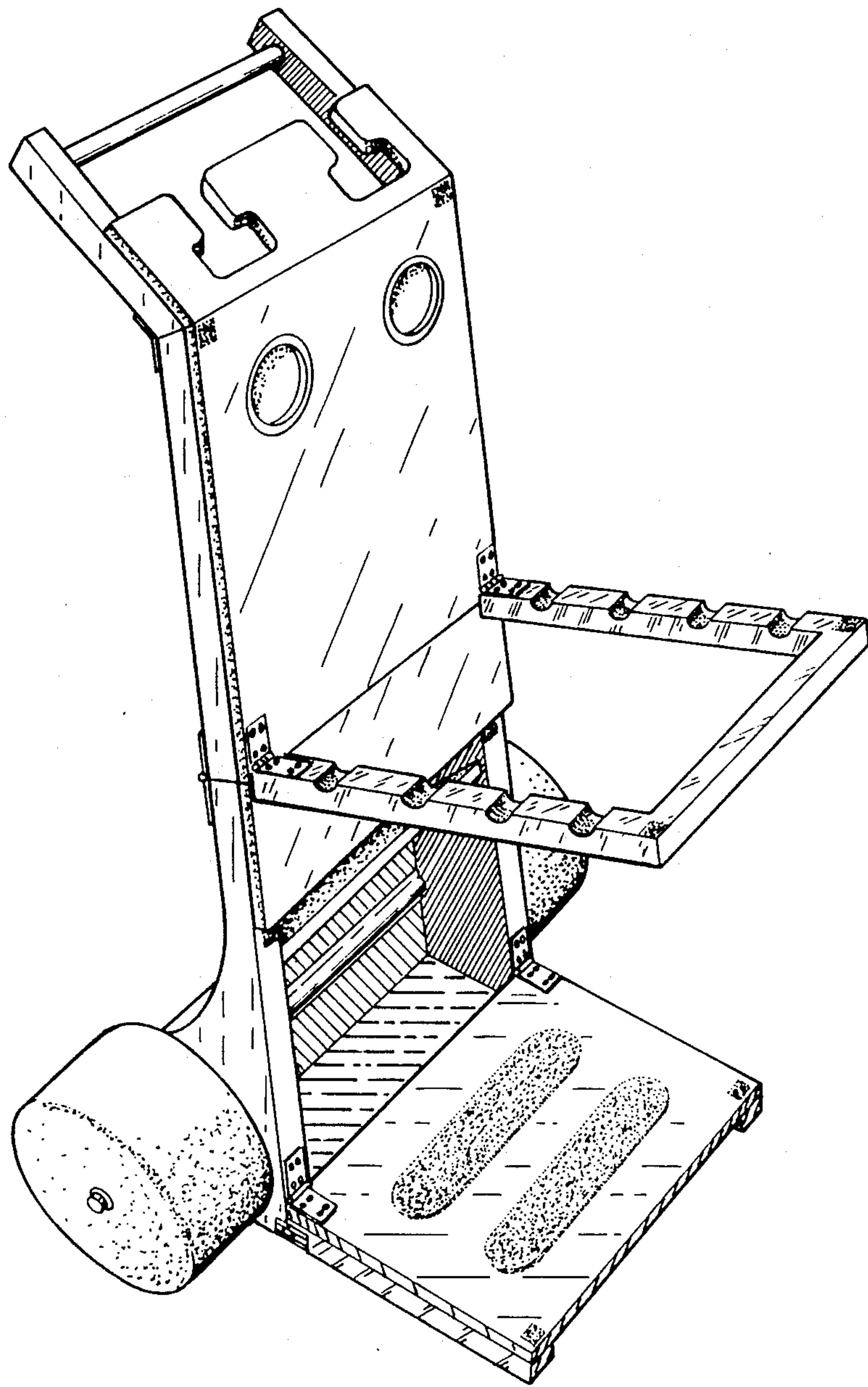


FIG. 1

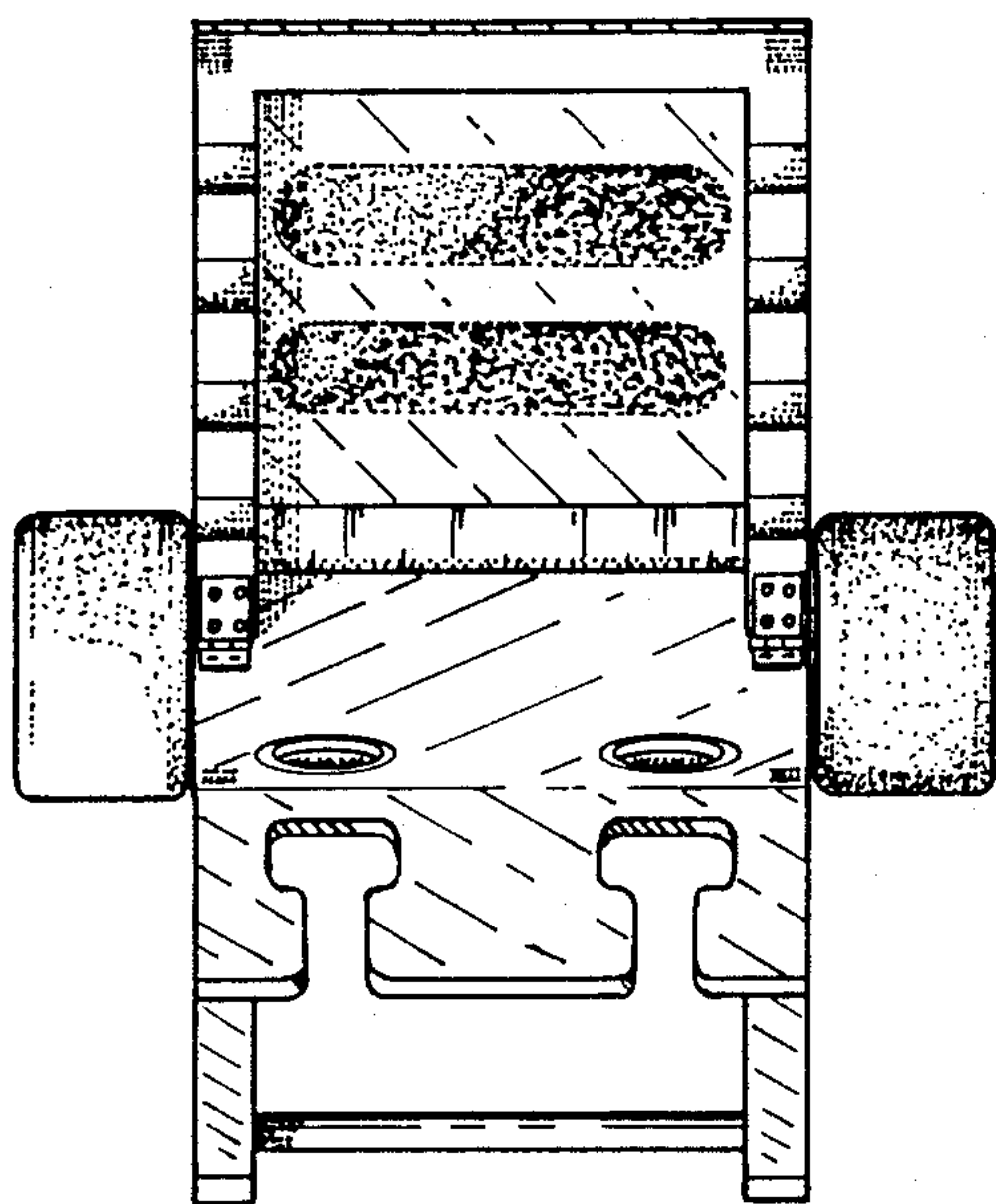


FIG. 3

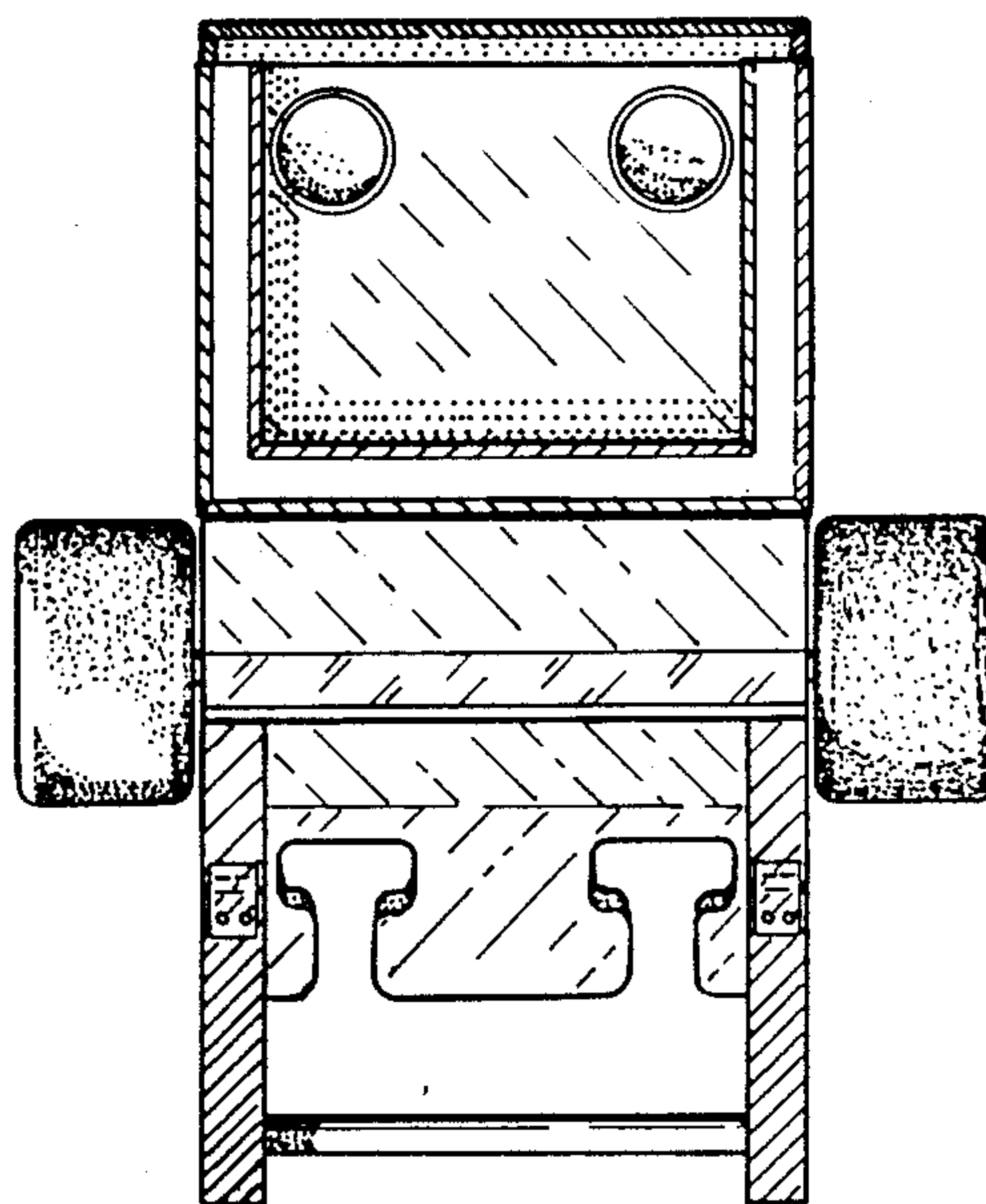


FIG. 4

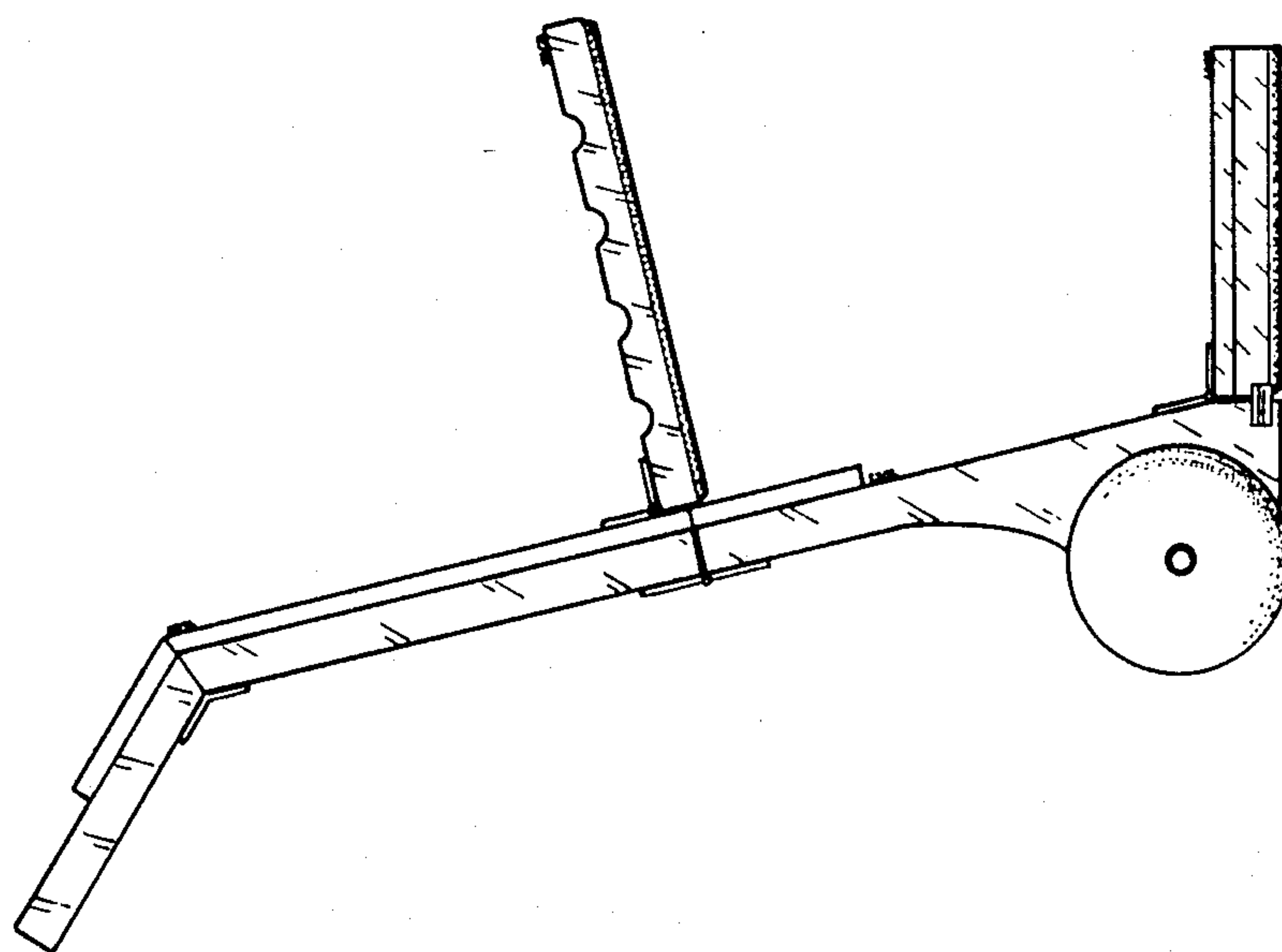


FIG. 2

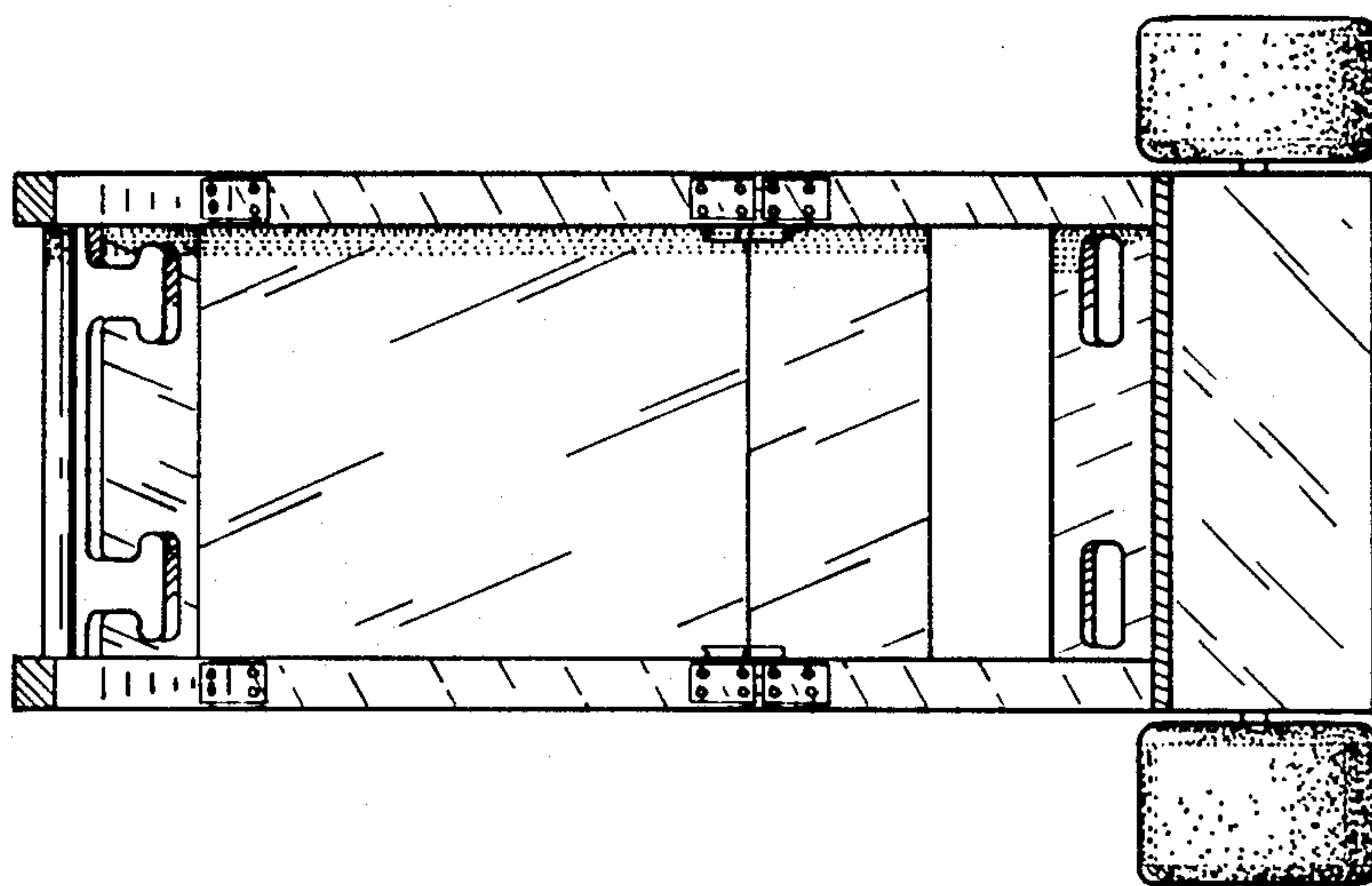


FIG. 5

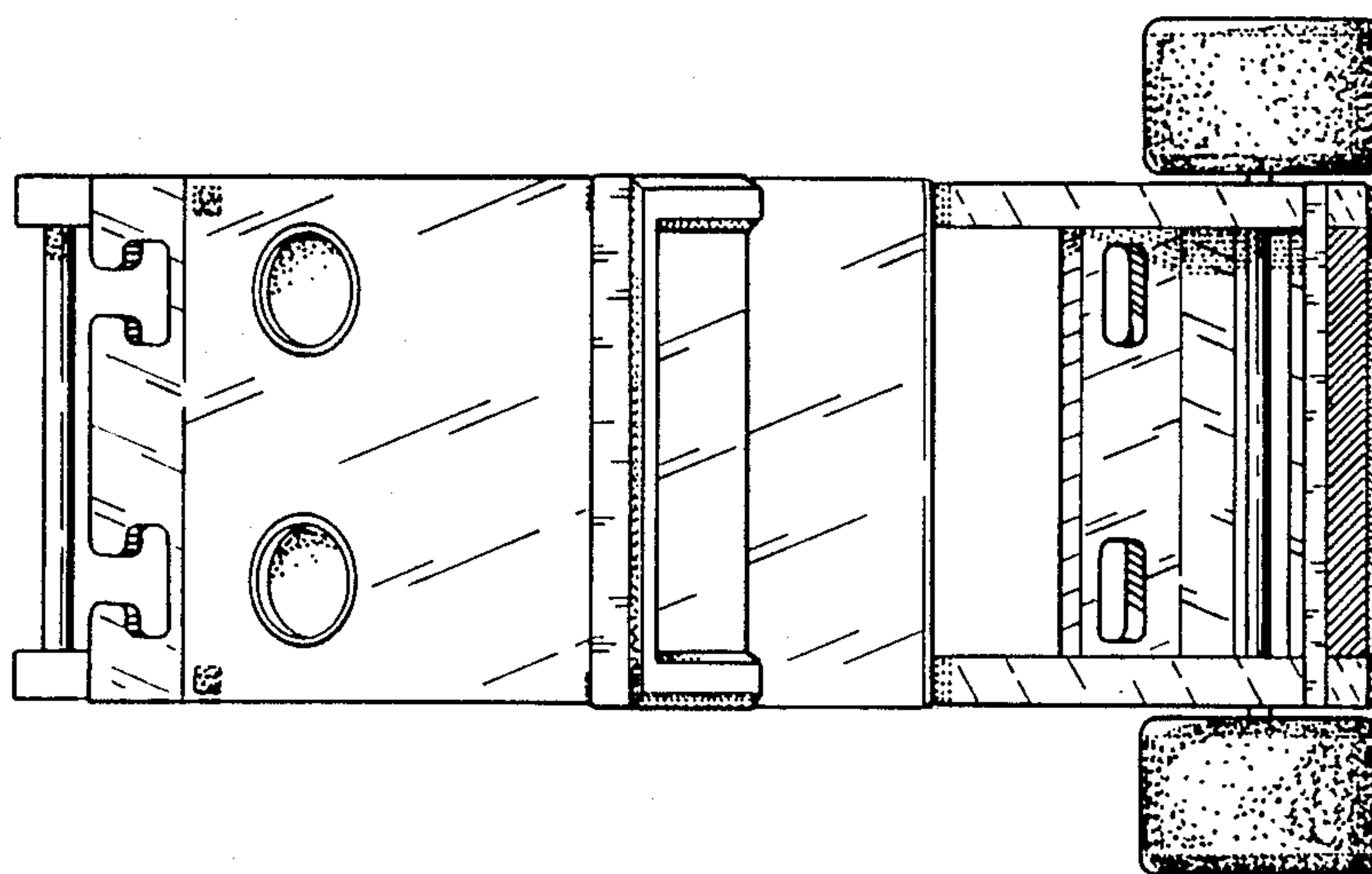


FIG. 6

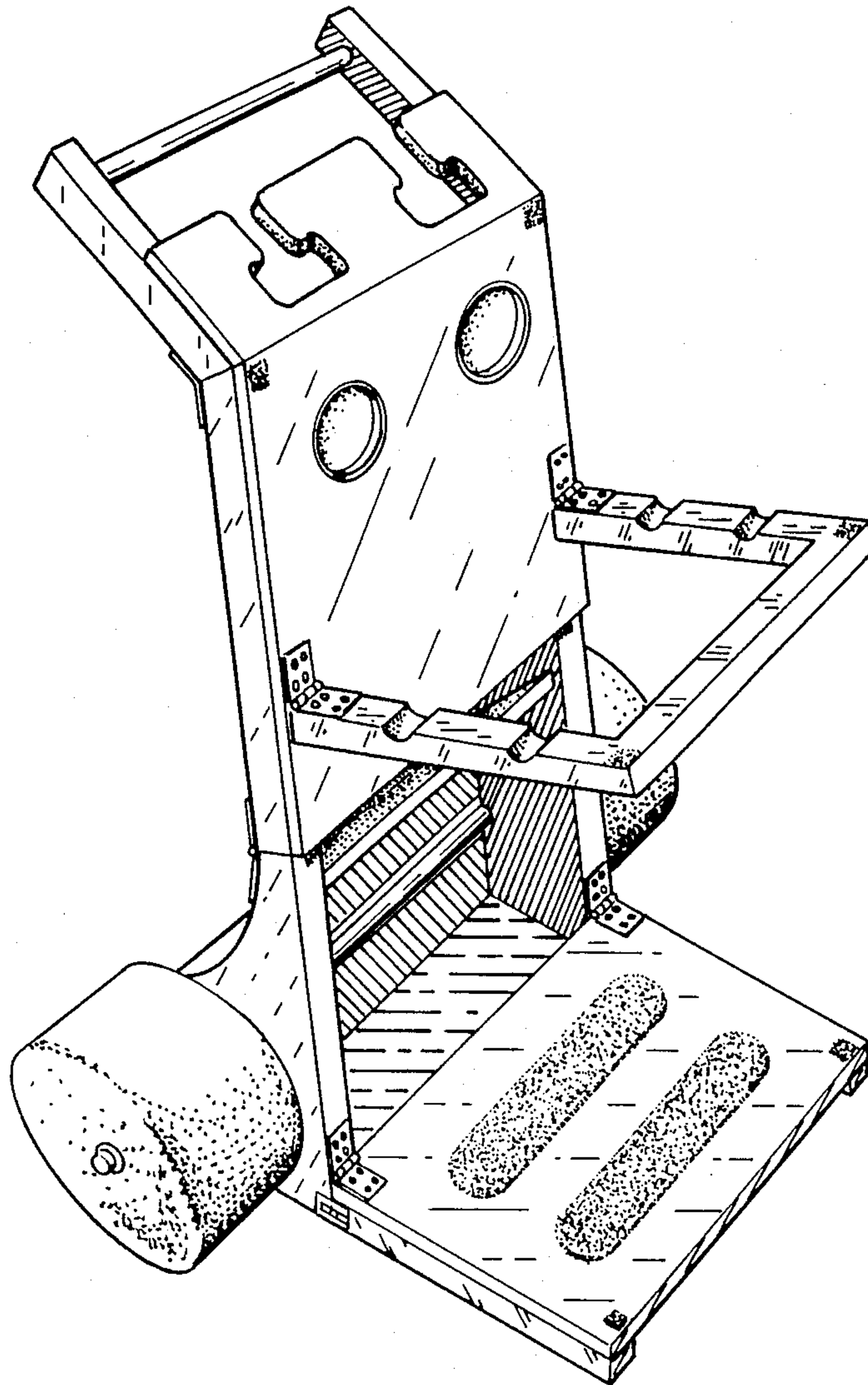


FIG. 7

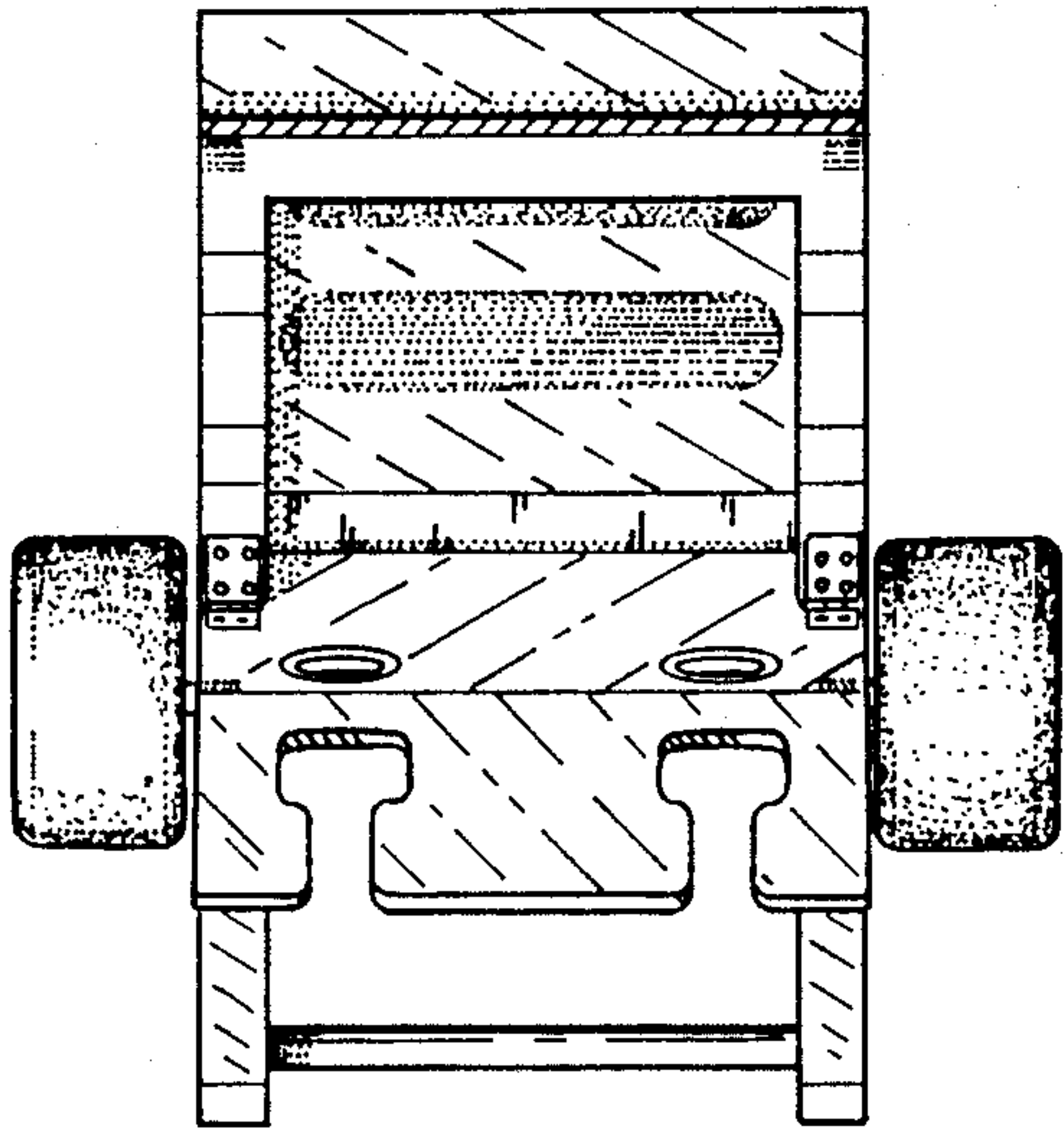


FIG. 9

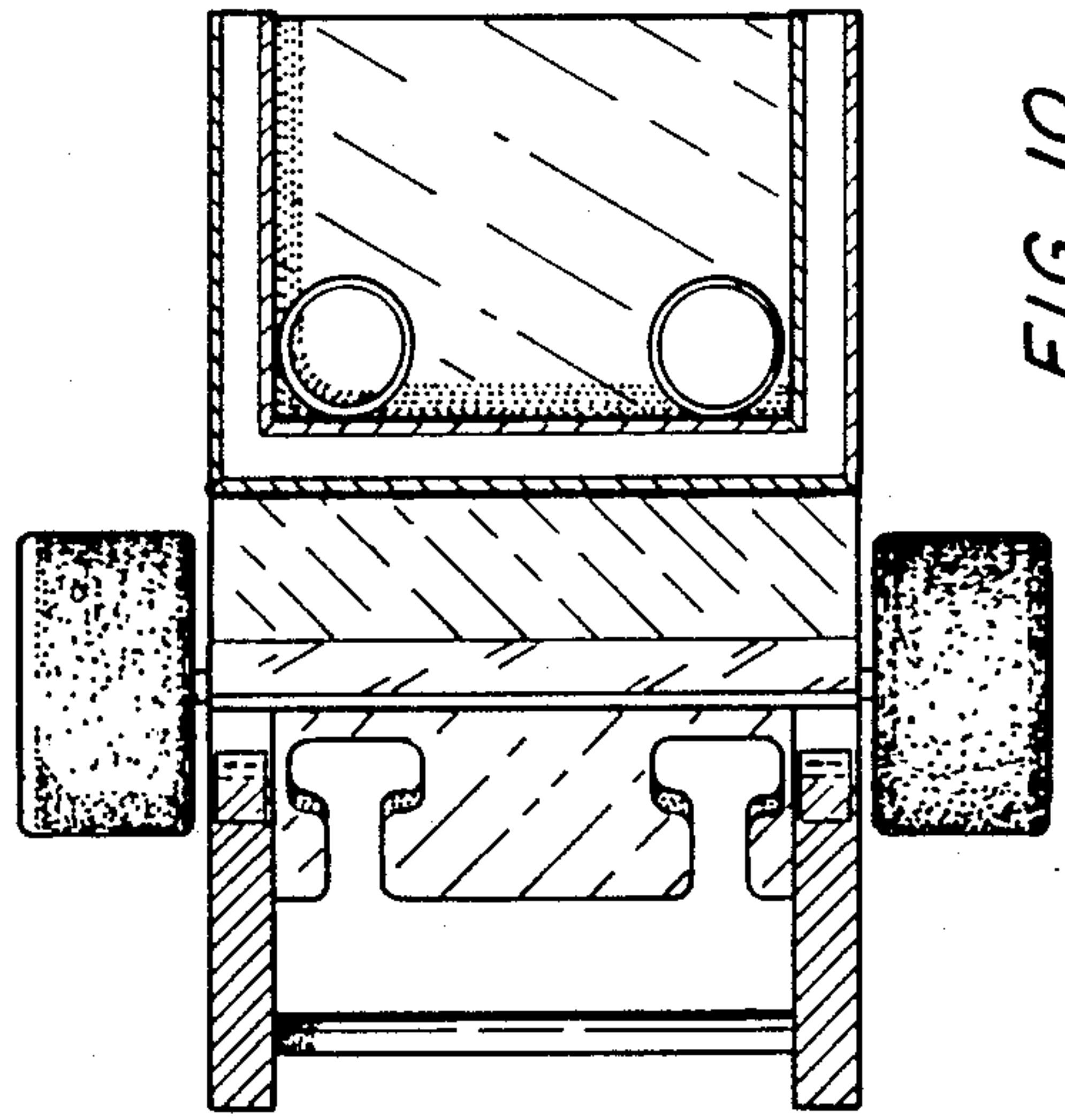


FIG. 10

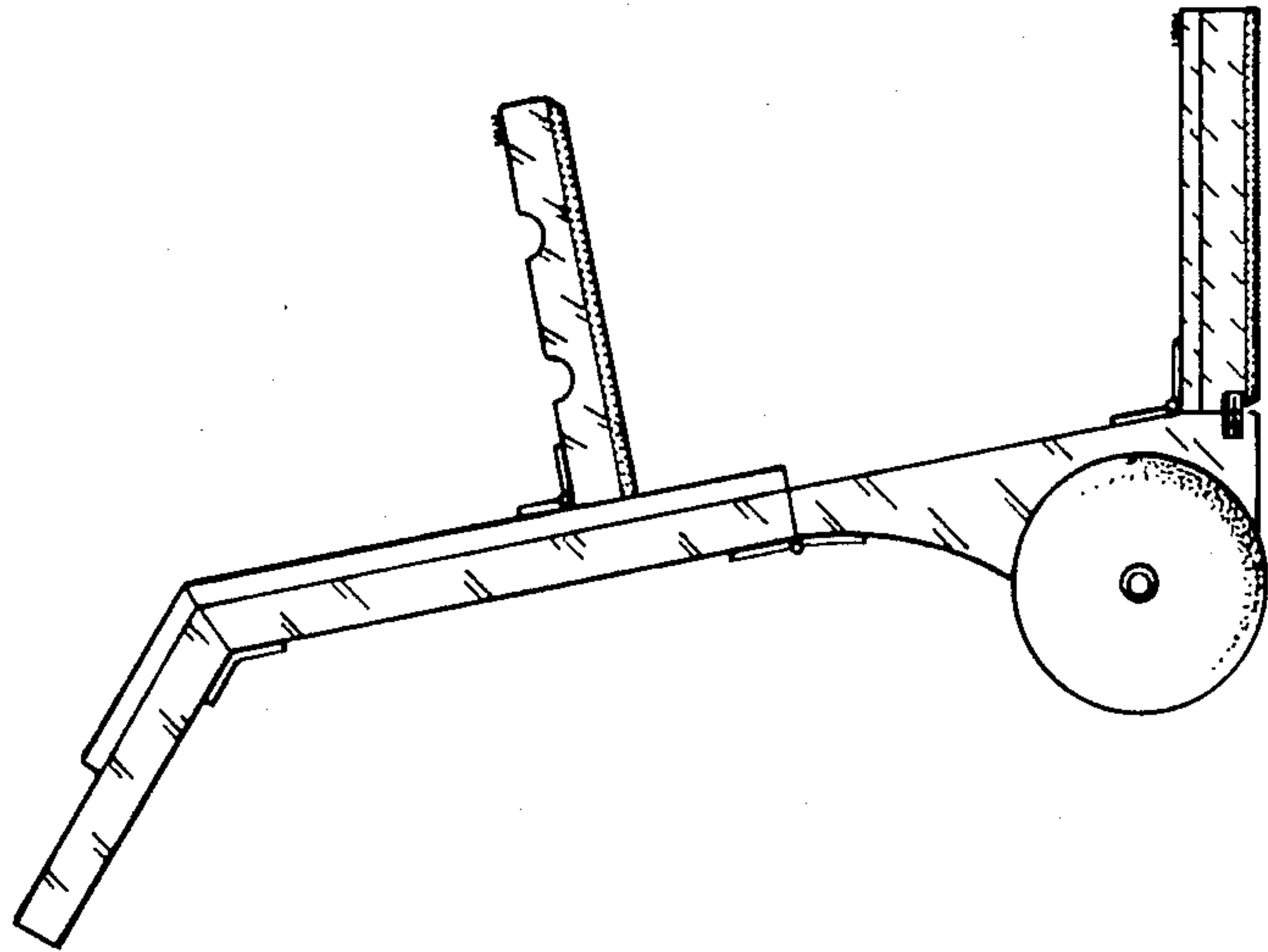


FIG. 8

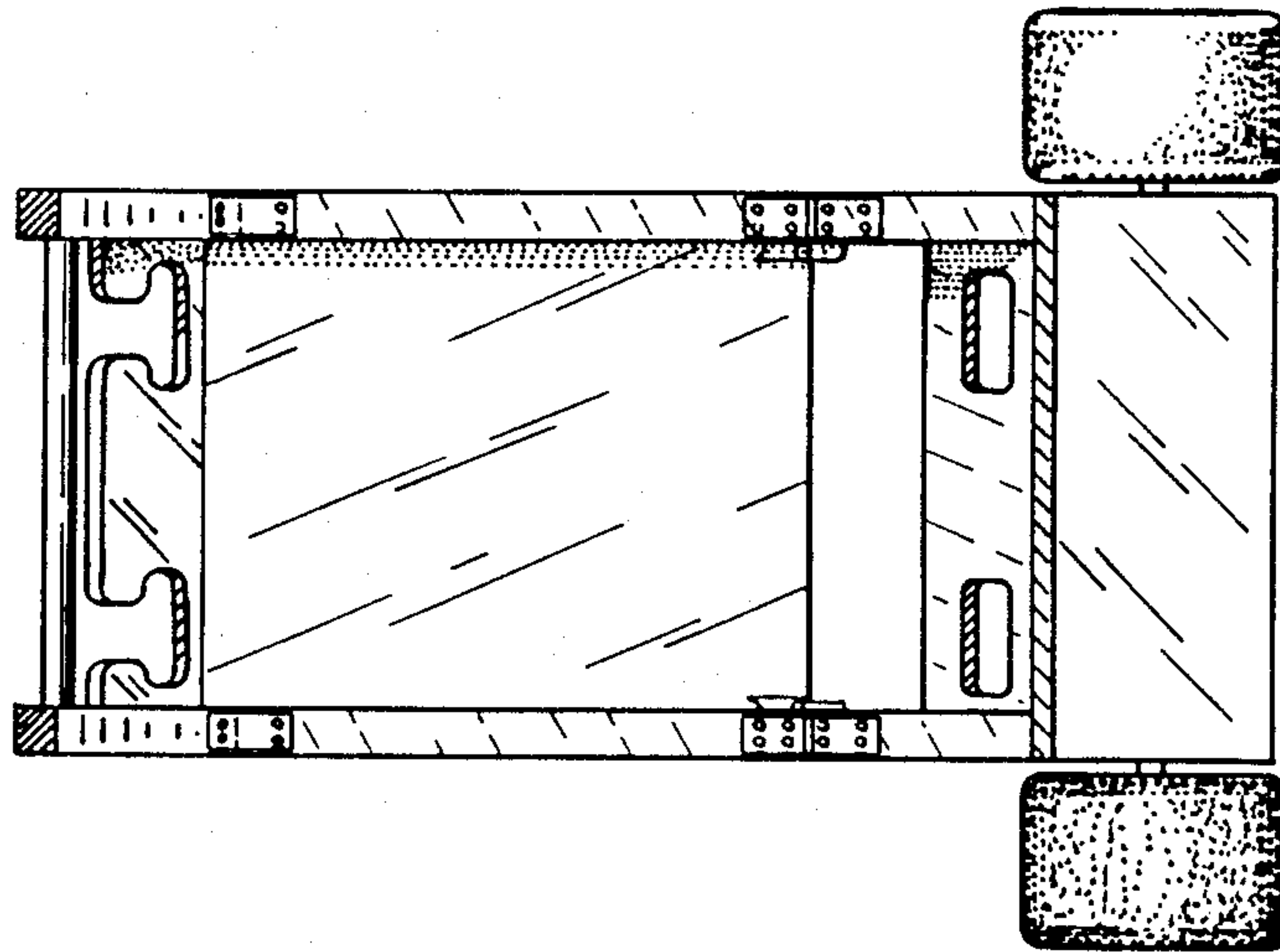


FIG. 11

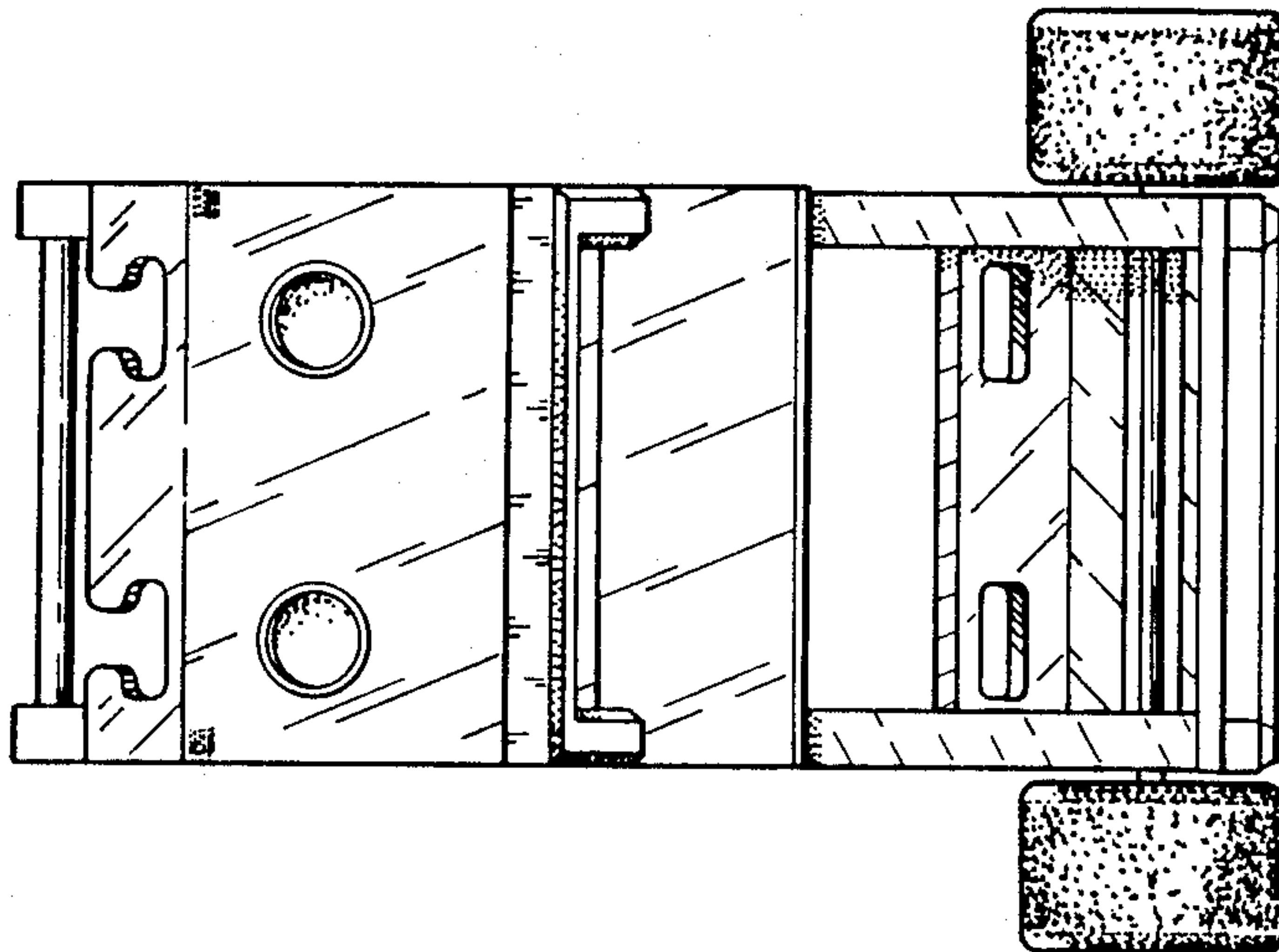


FIG. 12

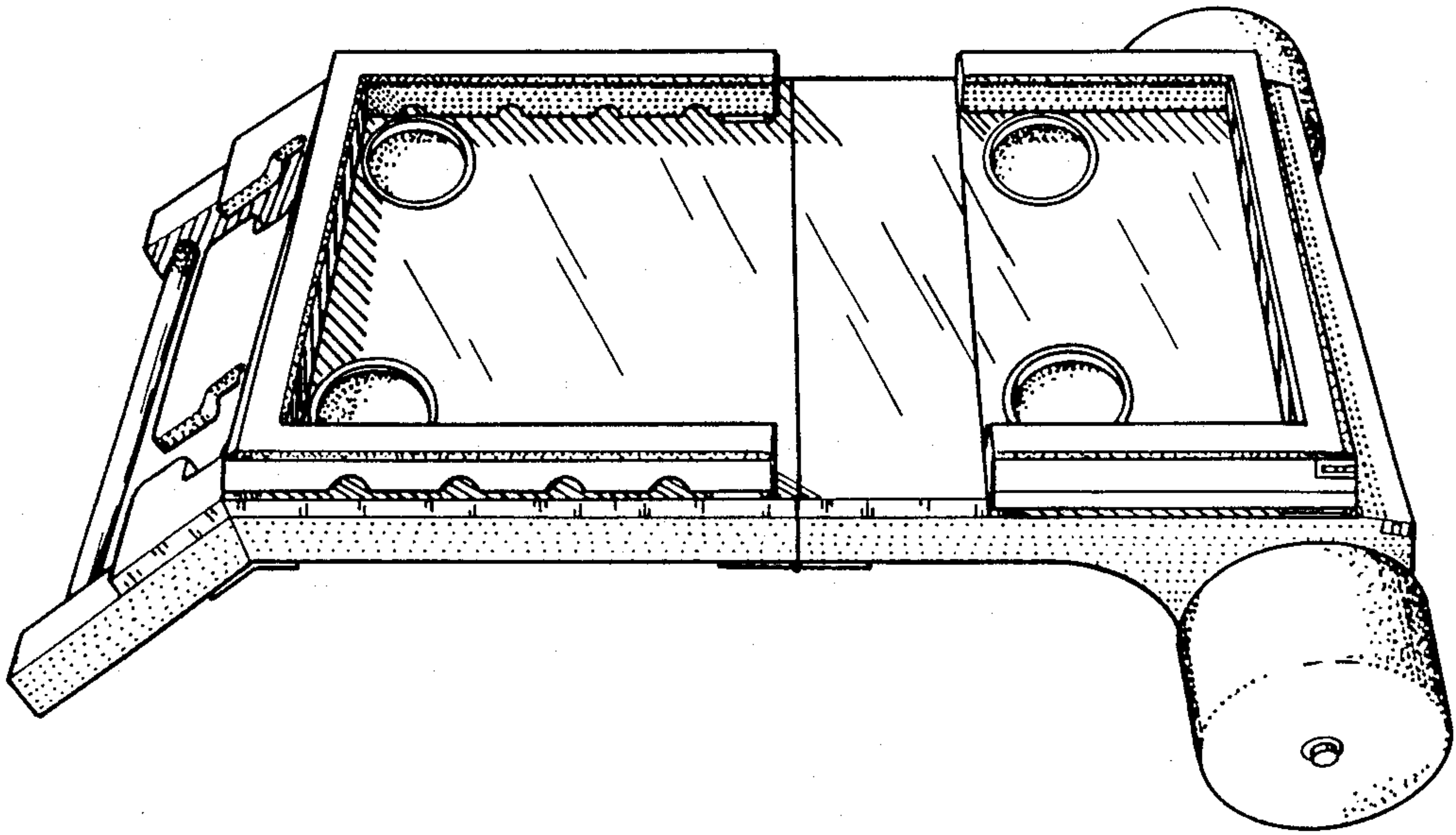


FIG. 13

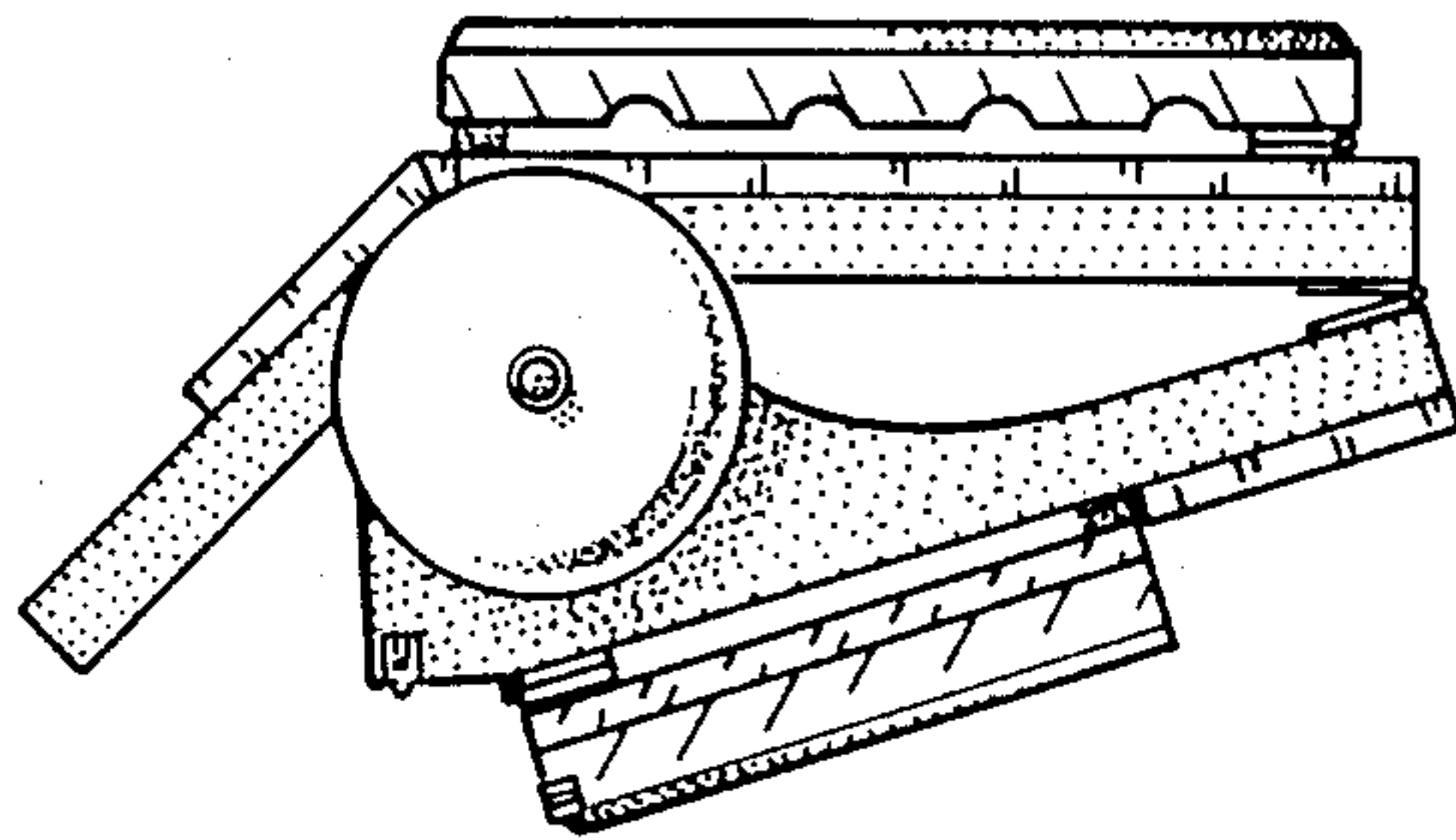


FIG. 14