

[54] **FOLDABLE SEAT FOR USE PRIMARILY IN A BOAT**

[75] **Inventor: Howard G. Goldsmith, Cranston, R.I.**

[73] **Assignee: Todd Enterprises, Inc., Cranston, R.I.**

[**] **Term: 14 Years**

[21] **Appl. No.: 921,635**

[22] **Filed: Oct. 21, 1986**

[52] **U.S. Cl. D6/368; D6/500; D6/502; D6/374**

[58] **Field of Search D6/333; 297/378, 458, 297/460, 337**

[56] **References Cited**

U.S. PATENT DOCUMENTS

- D. 194,670 2/1963 Hamilton et al. D6/333
- D. 195,672 7/1963 Hamilton et al. D6/333
- D. 264,788 6/1982 Blanchard D6/333

4,707,027 11/1987 Horvath et al. 297/460

Primary Examiner—Bruce W. Dunkins

Assistant Examiner—Ann S. Hunt

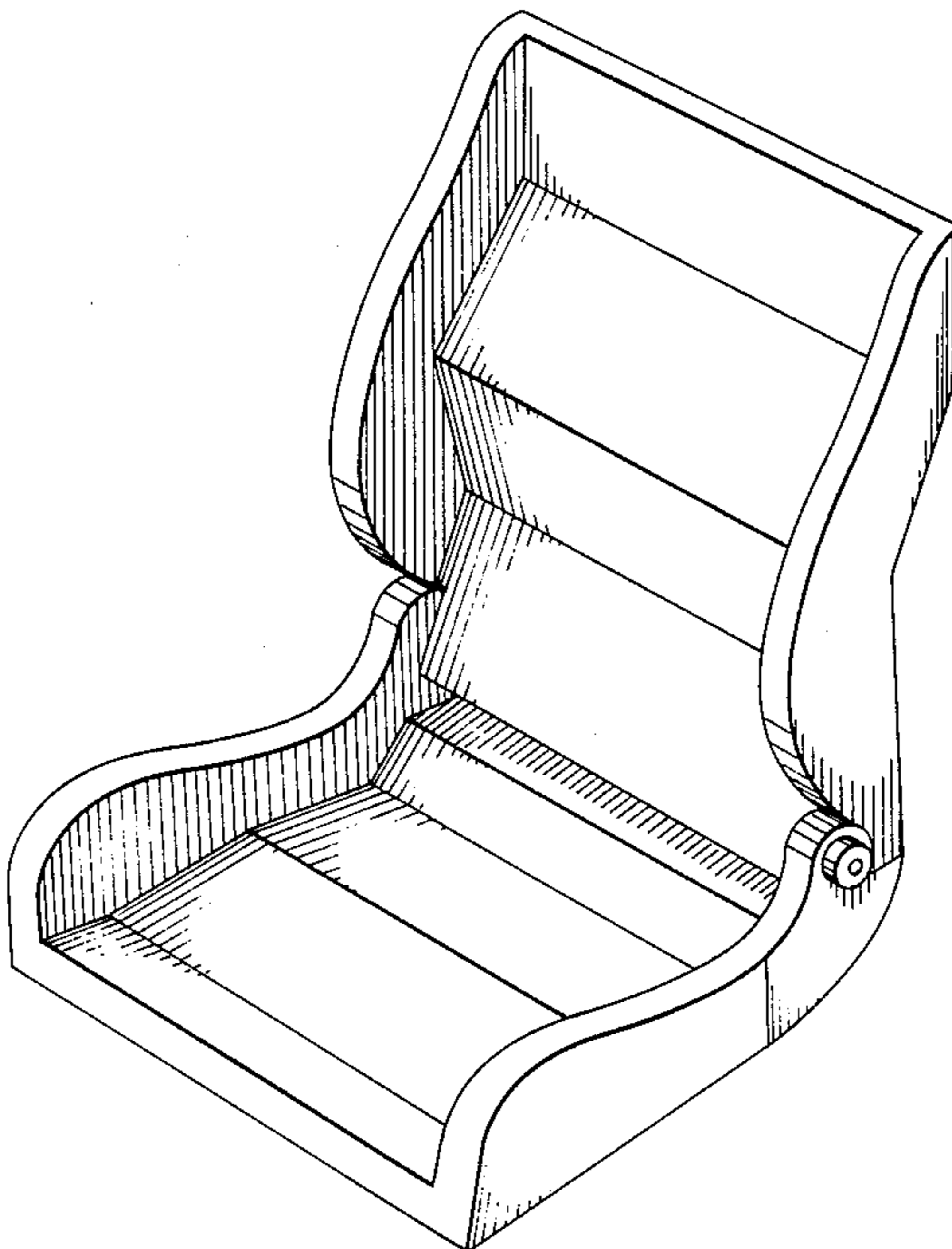
Attorney, Agent, or Firm—Salter & Michaelson

[57] **CLAIM**

The ornamental design for a foldable seat for use primarily in a boat, as shown and described.

DESCRIPTION

FIG. 1 is a perspective view of a foldable seat for use primarily in a boat showing my new design; FIG. 2 is a front elevational view thereof; FIG. 3 is a rear elevational view thereof; FIG. 4 is a top plan view thereof; FIG. 5 is a side elevational view thereof showing the seat in its open operative position; FIG. 6 is a side elevational view thereof showing the seat in its folded inoperative position; and FIG. 7 is a bottom plan view thereof.



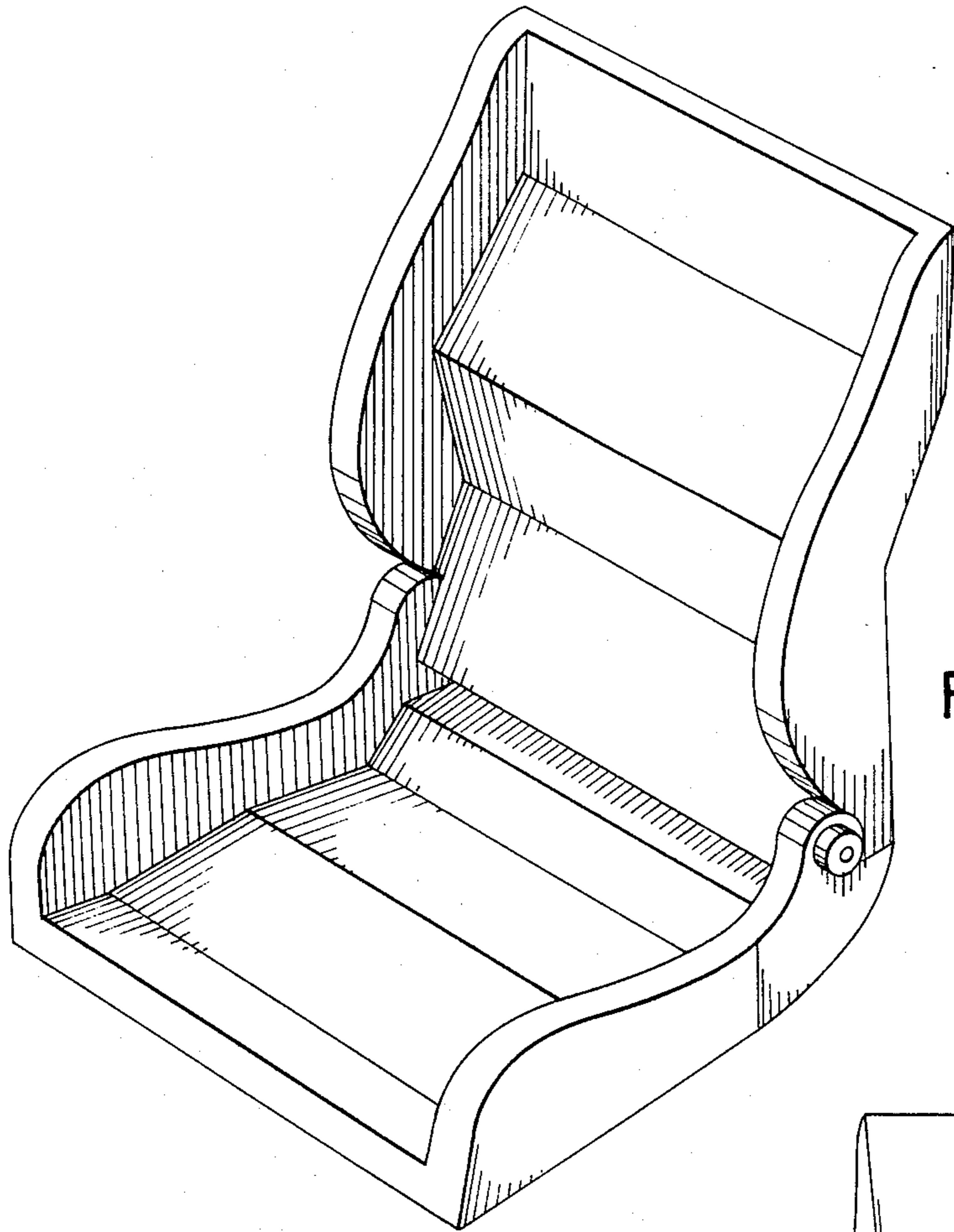


FIG. 1

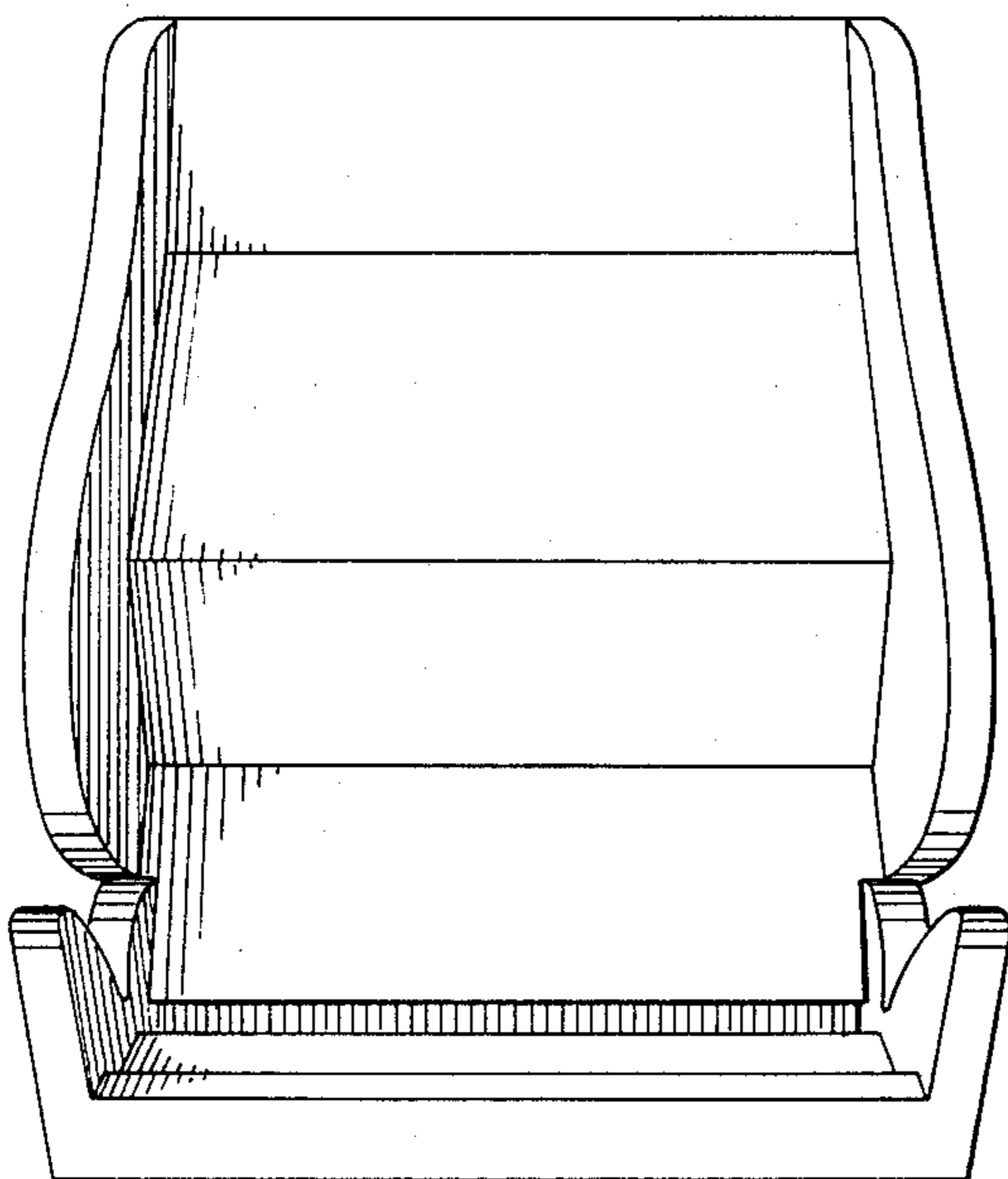


FIG. 2

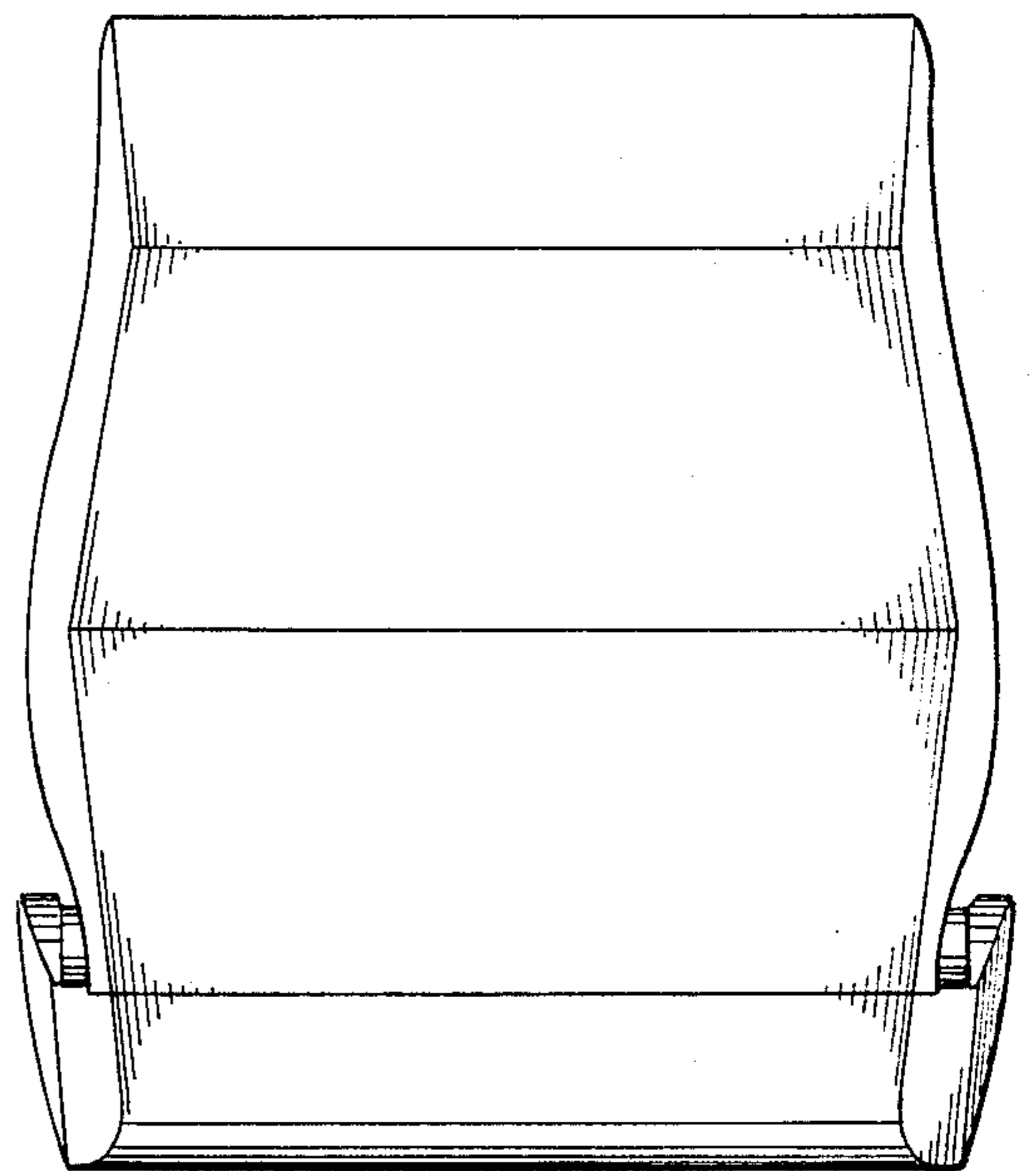


FIG. 3

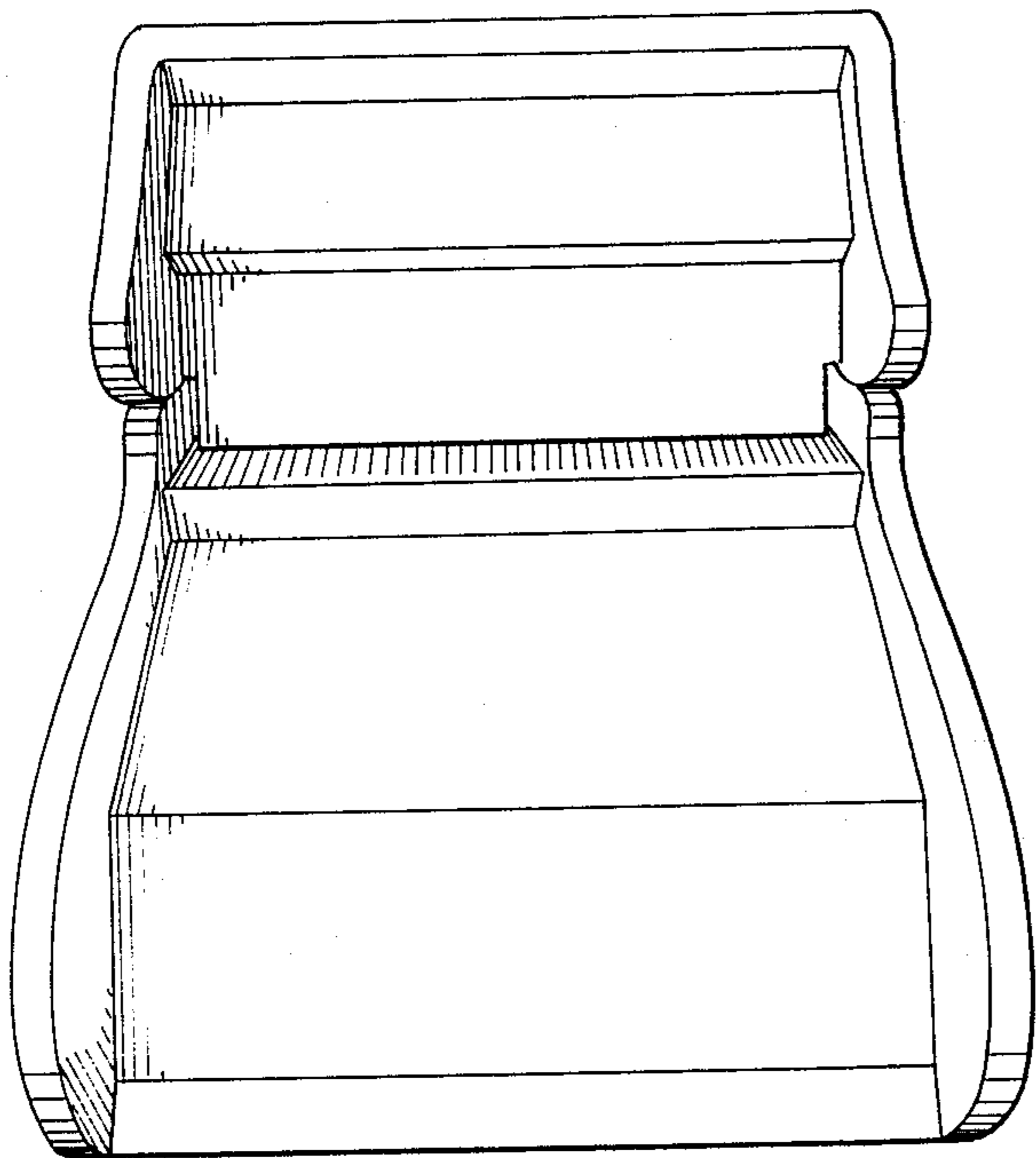


FIG. 4

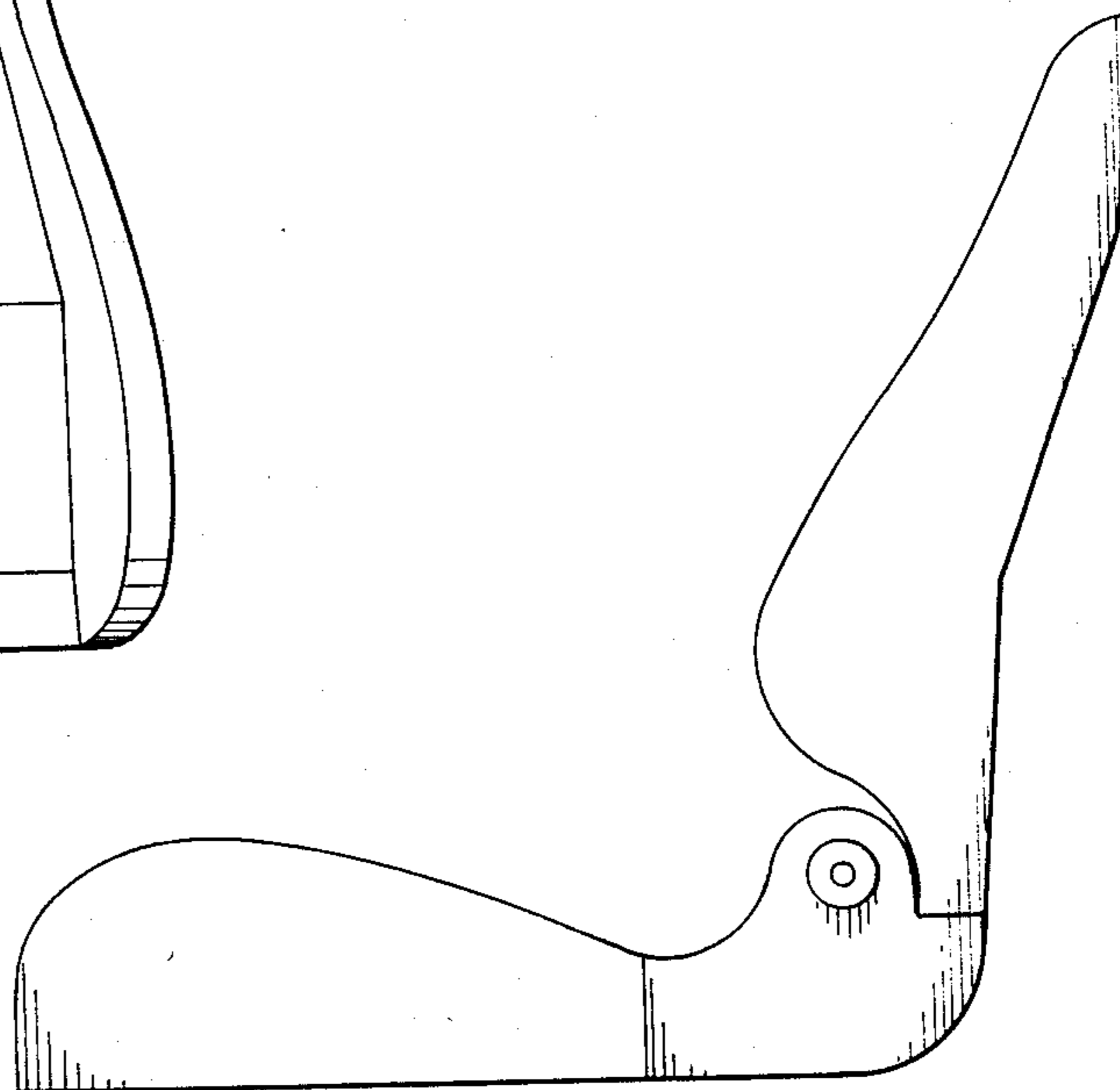


FIG. 5

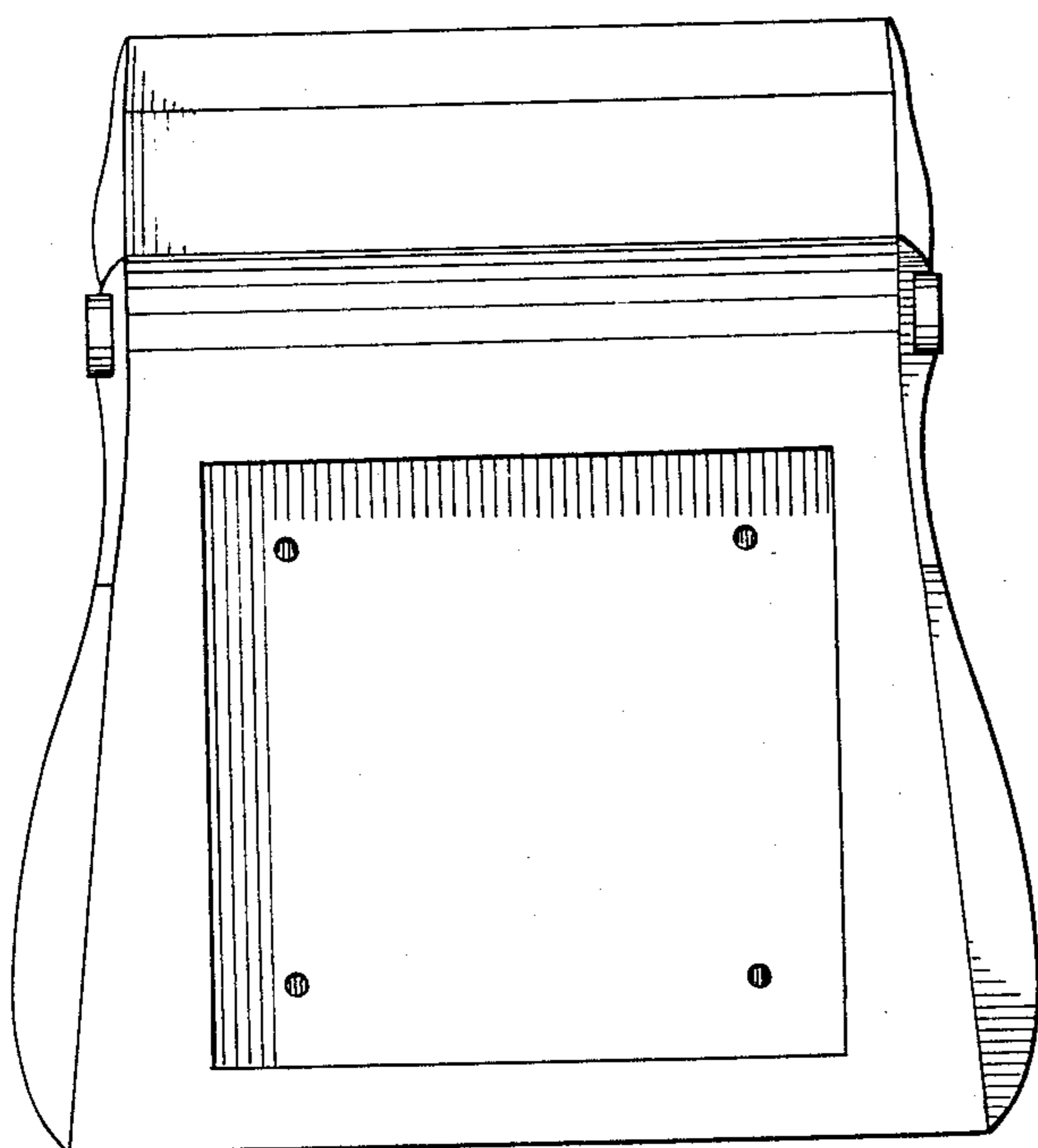


FIG. 7

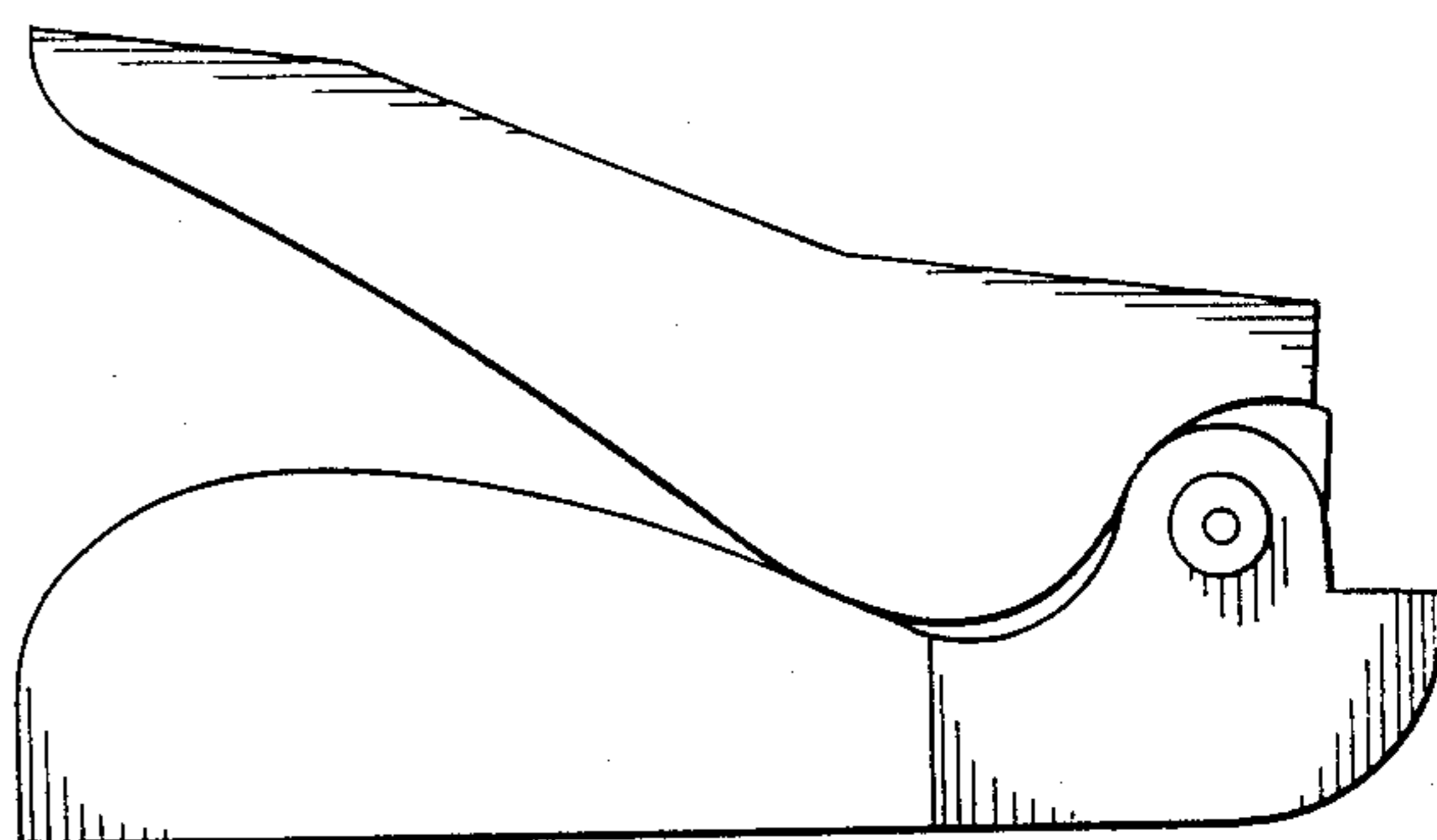


FIG. 6