

[54] COSMETIC CASE OR SIMILAR ARTICLE

[76] Inventor: Lai Wei-Mu, No. 31-1, Sec. 1, Wan Ho Road, Nan Tun District, Taichung, Taiwan

[**] Term: 14 Years

[21] Appl. No.: 872,756

[22] Filed: Jun. 10, 1986

[52] U.S. Cl. D3/39

[58] Field of Search D3/38, 76

[56] References Cited

U.S. PATENT DOCUMENTS

- D. 160,949 11/1950 Knell D3/38 X
- D. 199,950 12/1964 Deschamps D3/38 X
- D. 200,141 1/1965 Feinberg D3/76
- D. 246,071 10/1977 Landell et al. D3/38
- D. 246,139 10/1977 Landell et al. D3/38

D. 273,578 4/1984 Hsu D3/76 X

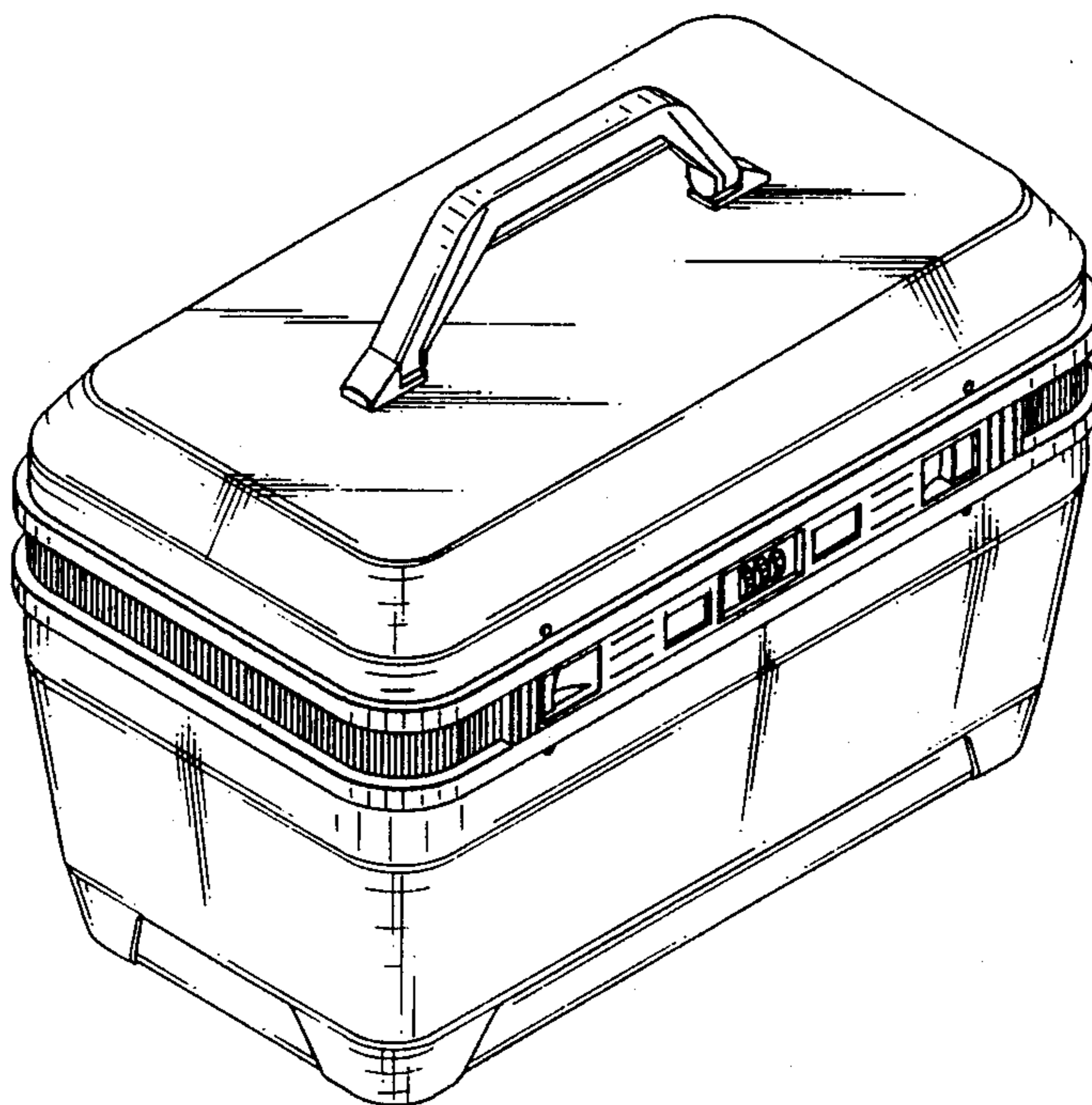
Primary Examiner—Bruce W. Dunkins
Assistant Examiner—Y. Brunot
Attorney, Agent, or Firm—Knobbe, Martens, Olson & Bear

[57] CLAIM

The ornamental design for cosmetic case or similar article, as shown and described.

DESCRIPTION

FIG. 1 is a front perspective view of a cosmetic case or similar article showing my new design;
FIG. 2 is a front elevational view;
FIG. 3 is a rear elevational view;
FIG. 4 is an end elevational view, the opposite side being a mirror image thereof;
FIG. 5 is a top plan view;
FIG. 6 is a bottom plan view thereof.



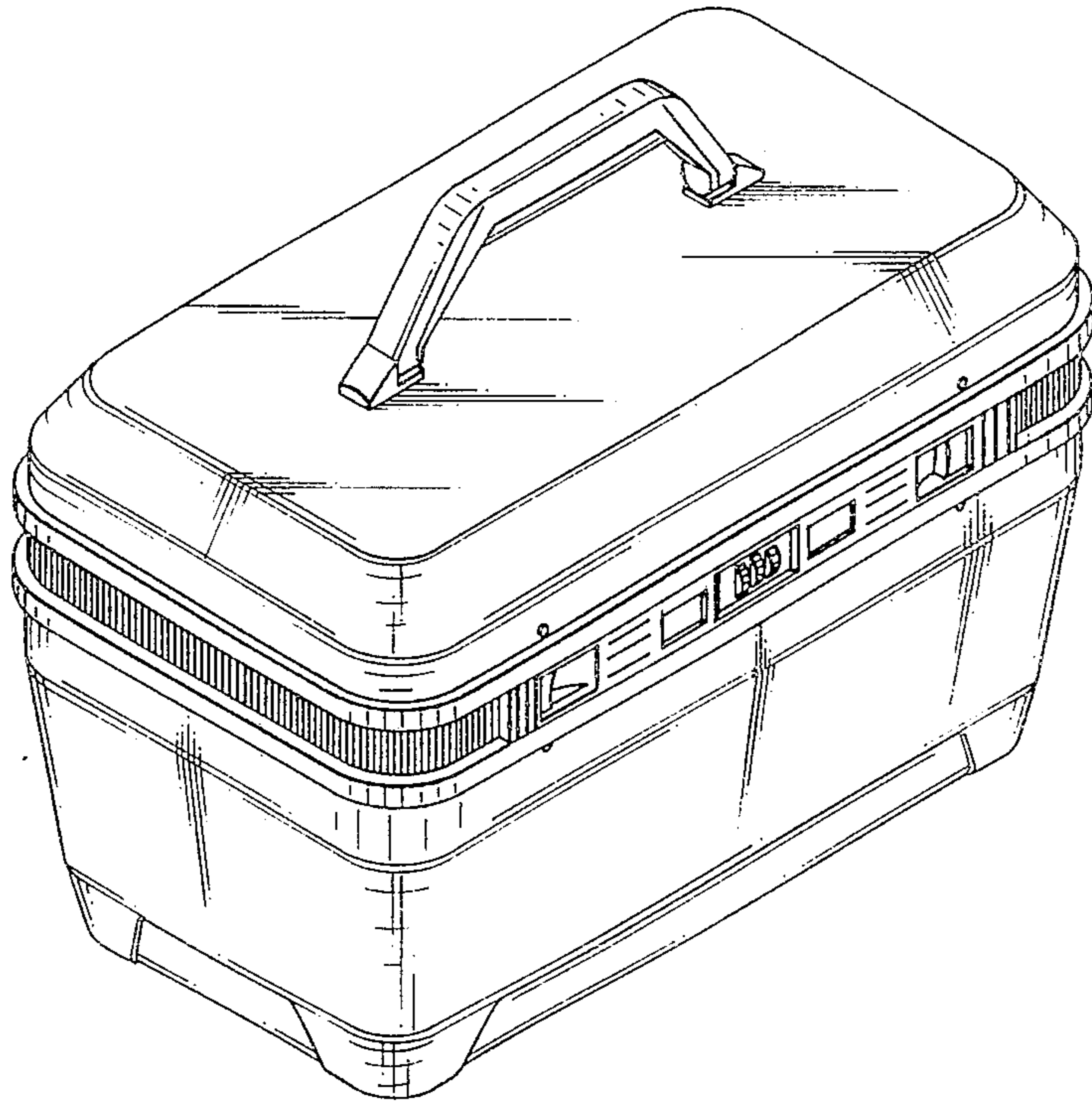


Fig. 1

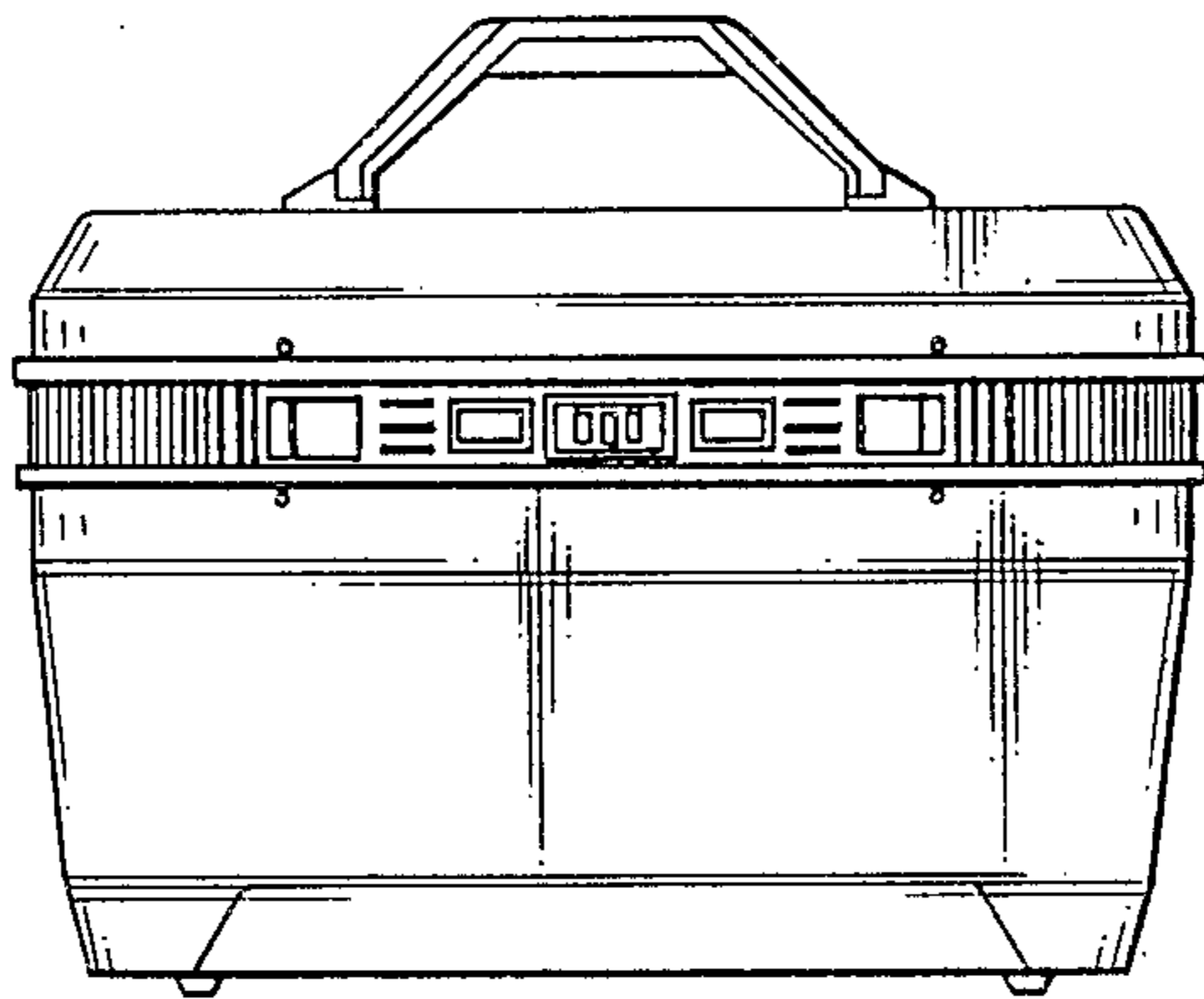


Fig. 2

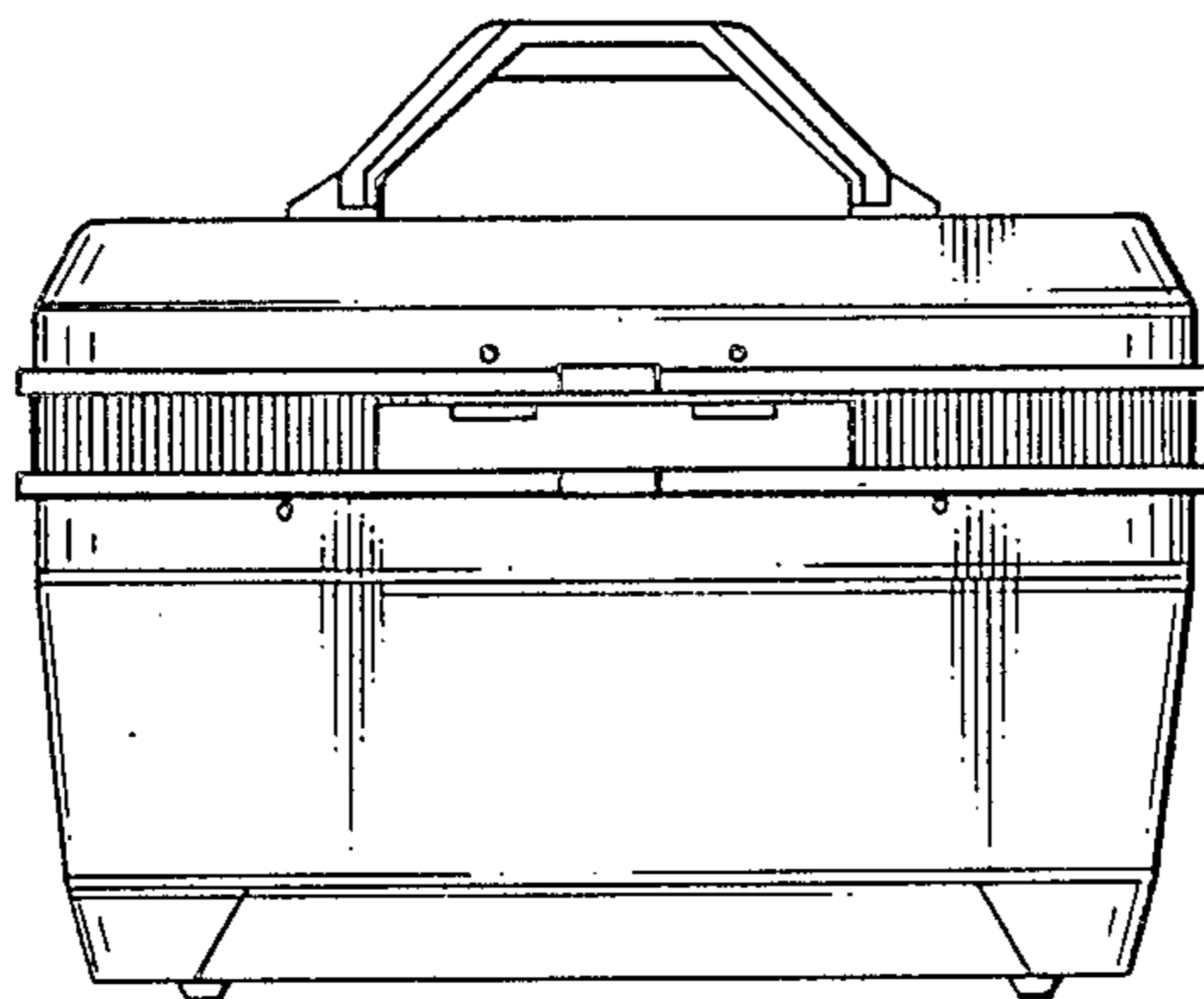


Fig. 3

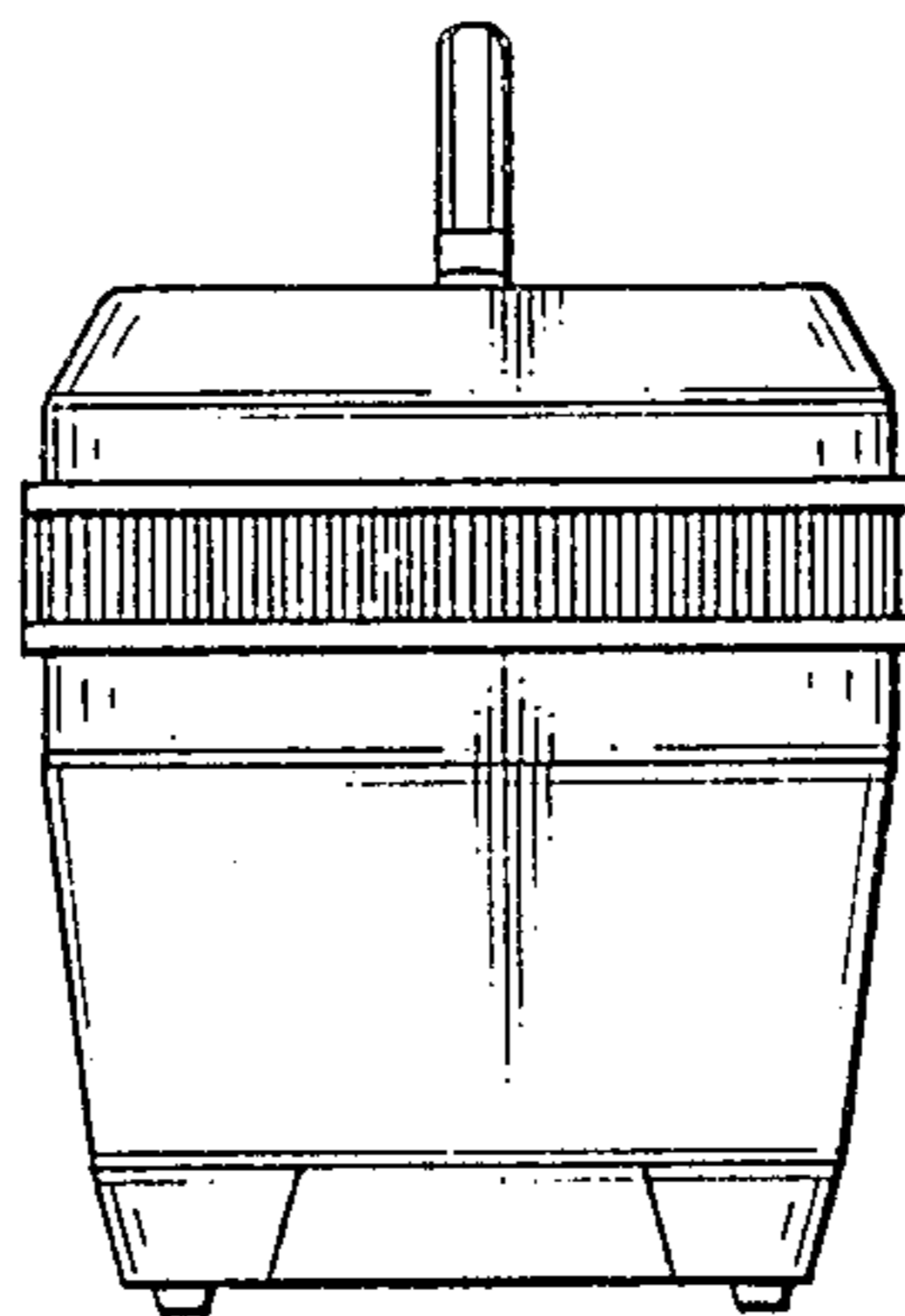


Fig. 4

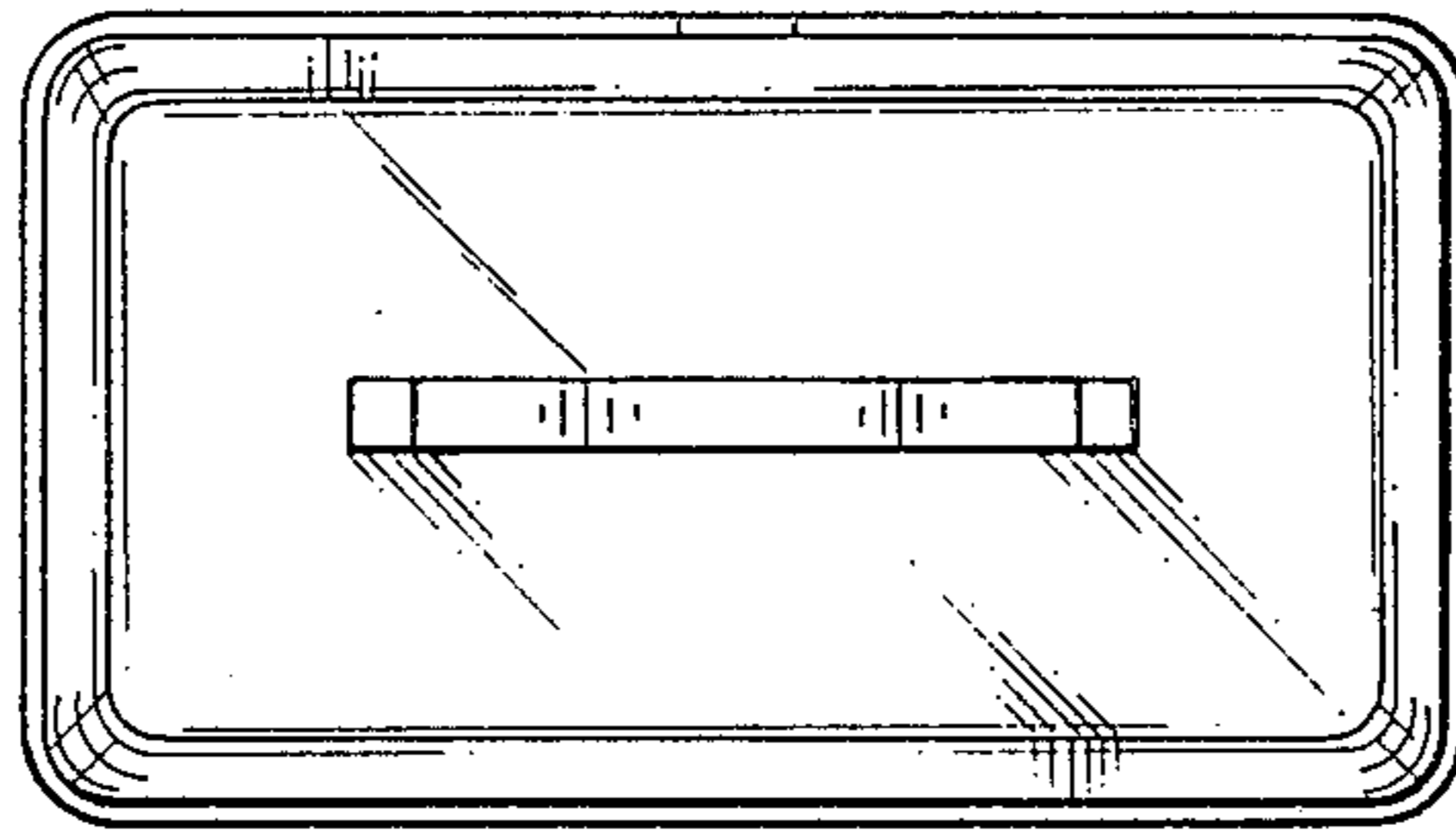


Fig. 5

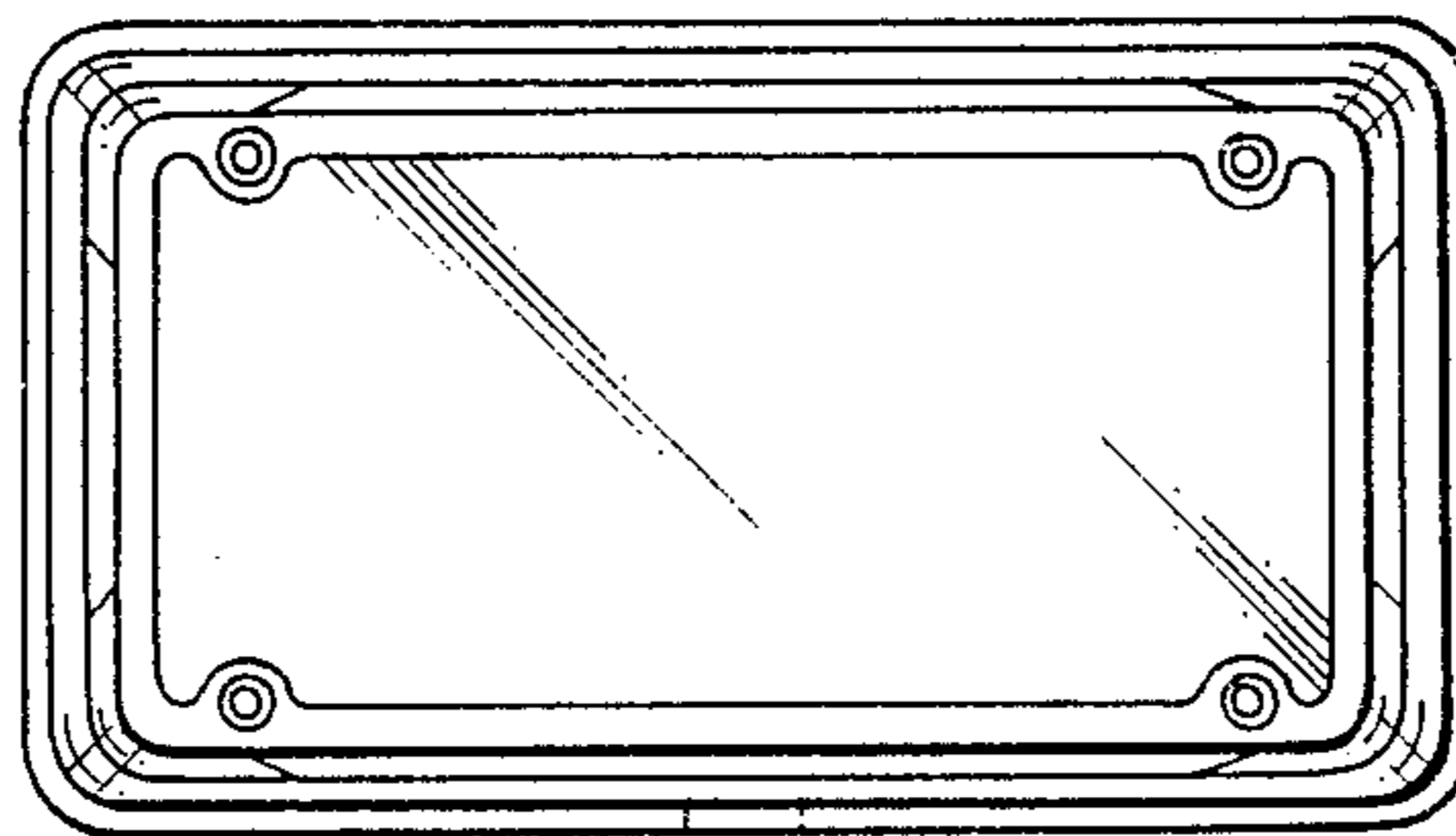


Fig. 6