

[54] **COIN HOLDER**

3,107,467 10/1963 Gates 53/254

[76] **Inventor: Linda Purifoy, 8271 Rosemont, Detroit, Mich. 48228**

Primary Examiner—James R. Largen
Attorney, Agent, or Firm—Dykema Gössett

[**] **Term: 14 Years**

[57] **CLAIM**

[21] **Appl. No.: 857,558**

The ornamental design for a coin holder, as shown and described.

[22] **Filed: Apr. 21, 1986**

[52] **U.S. Cl. D99/34; 453/60**

[58] **Field of Search D99/28, 34, 43, 99; D18/3, 4; D7/50, 104; D8/1, 10, 14; 53/254; 206/0.8, 0.81, 0.82, 0.83, 0.84; 453/50, 51, 52, 59, 60, 62**

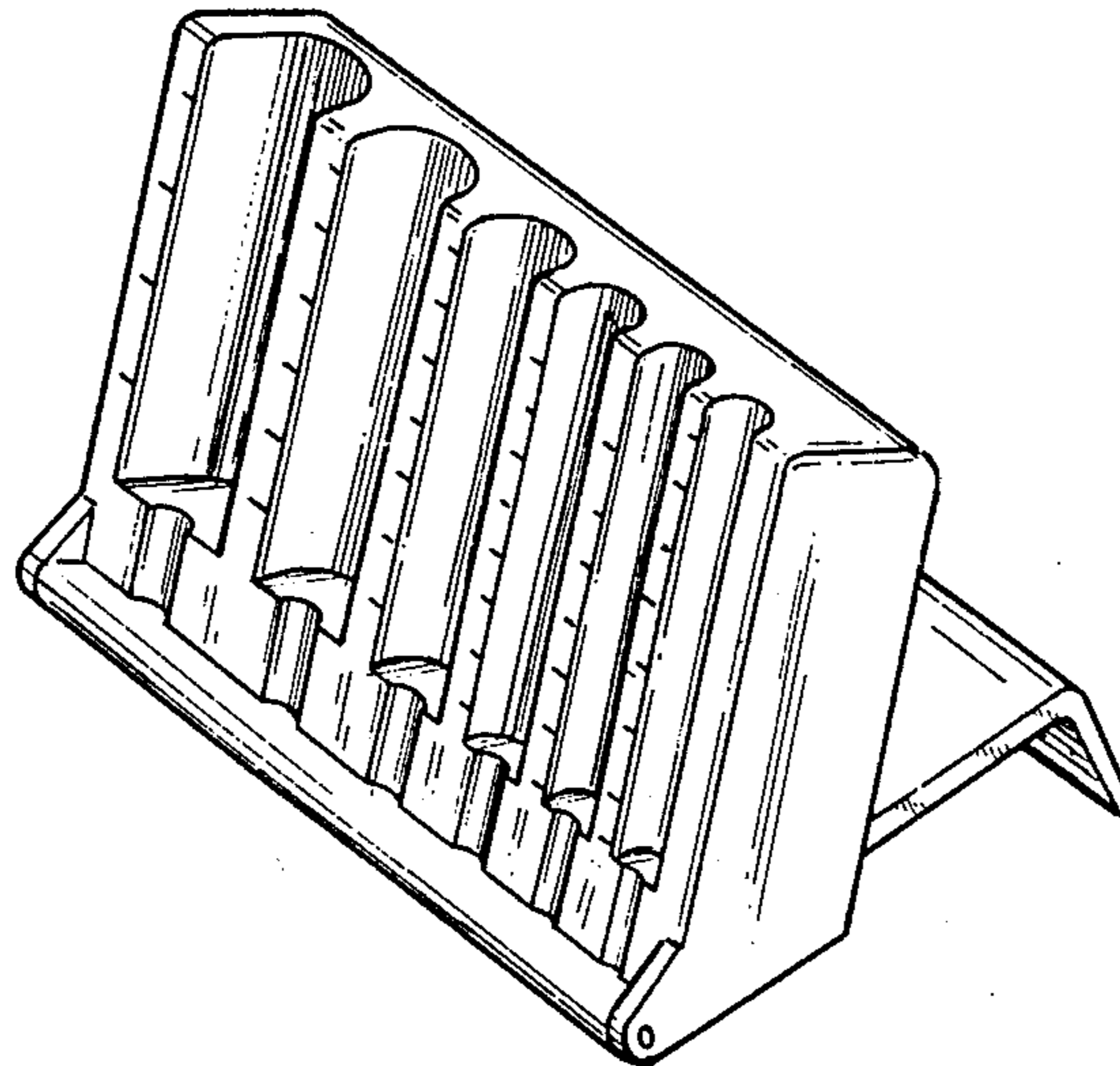
DESCRIPTION

FIG. 1 is a perspective view taken from the top, front and right side of a coin holder showing my new design; FIG. 2 is a perspective view taken from the top, rear and left side thereof; FIG. 3 is a left side elevational view thereof, the right side being a mirror image of the left side shown; FIG. 4 is a front elevational view taken on the plane indicated by arrow 4 of FIG. 3; FIG. 5 is a top plan view taken on the plane indicated by arrow 5 of FIG. 3; FIG. 6 is a bottom plan view thereof; and FIG. 7 is another left side elevational view thereof showing the cover in its closed position. The fragmentary broken line representation of a counter top in FIG. 3 and a coin in FIG. 5 are for purposes of illustration only and form no part of the claimed design.

[56] **References Cited**

U.S. PATENT DOCUMENTS

D. 154,028	6/1949	DuMont	D99/34 X
226,575	4/1880	Tyler	206/0.83
D. 239,575	4/1976	Powell, Jr.	D99/34
D. 243,494	3/1977	Wang	D99/34 X
D. 292,739	11/1987	Izant	D99/34
363,239	5/1887	Howe	206/0.81
518,948	5/1894	Hayden	206/0.81
645,635	3/1900	Thompson	206/0.83
2,952,108	9/1960	Ullman	53/254
3,051,308	8/1962	Estrem	206/0.83



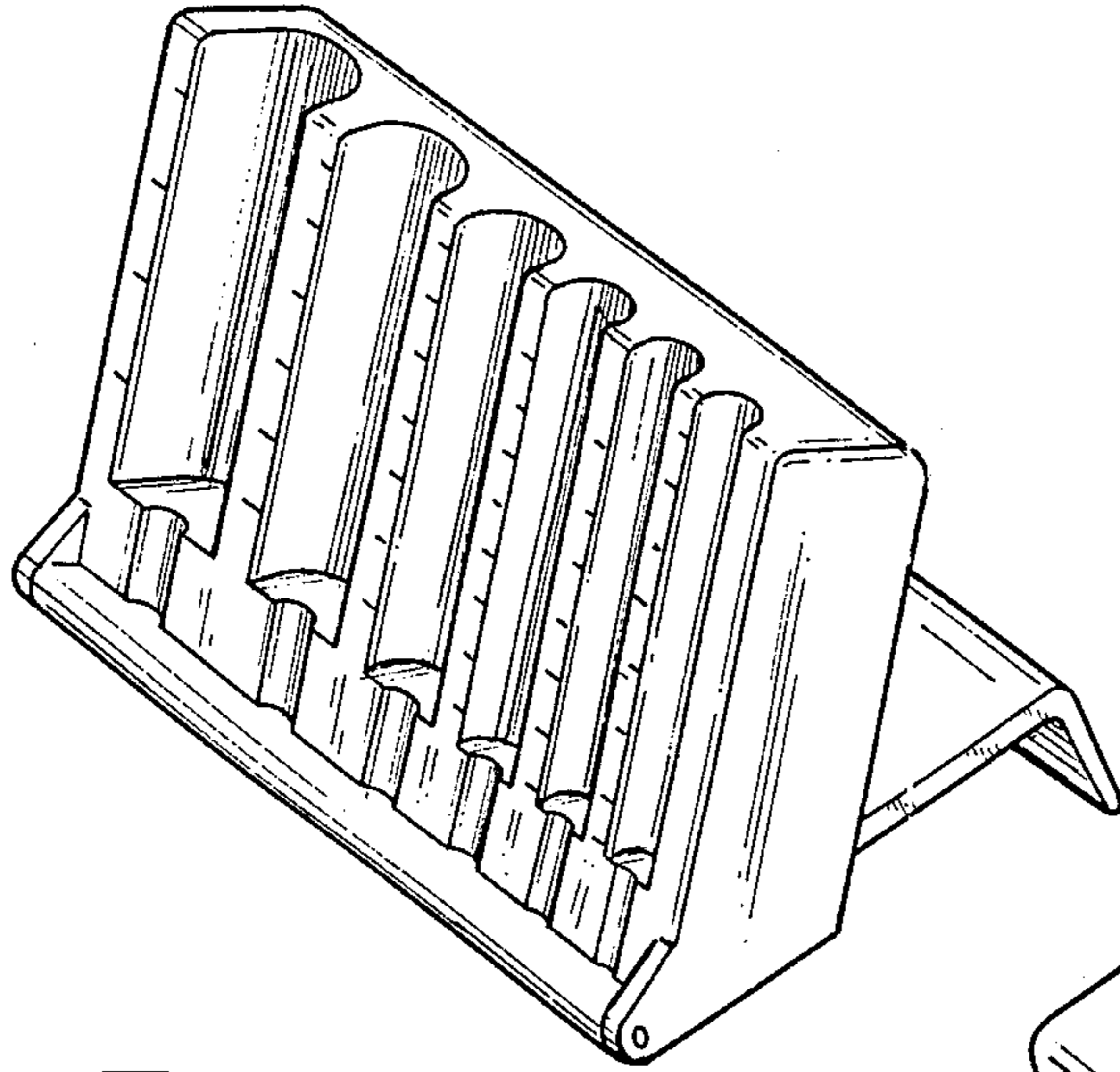


Fig-1

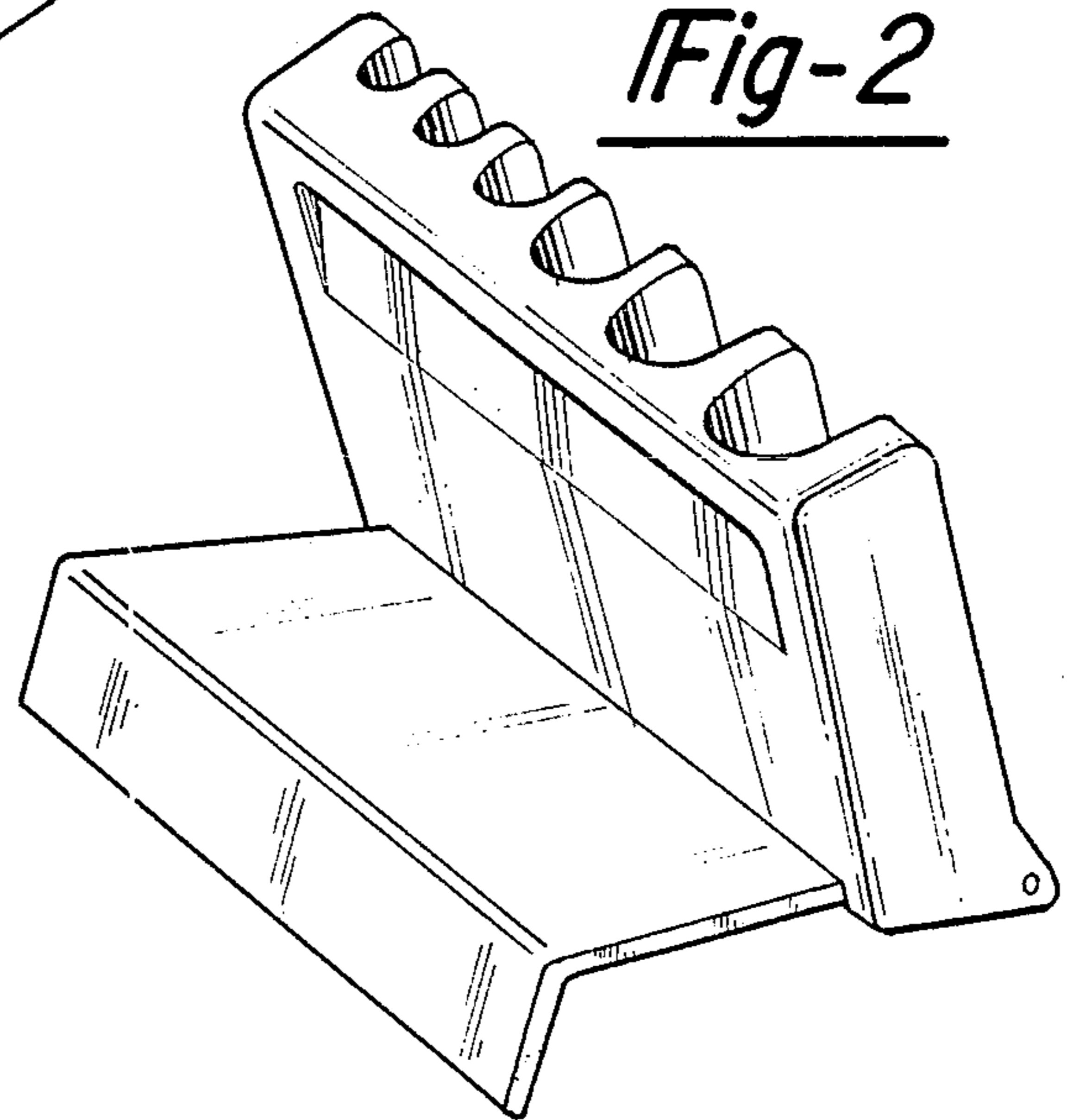


Fig-2

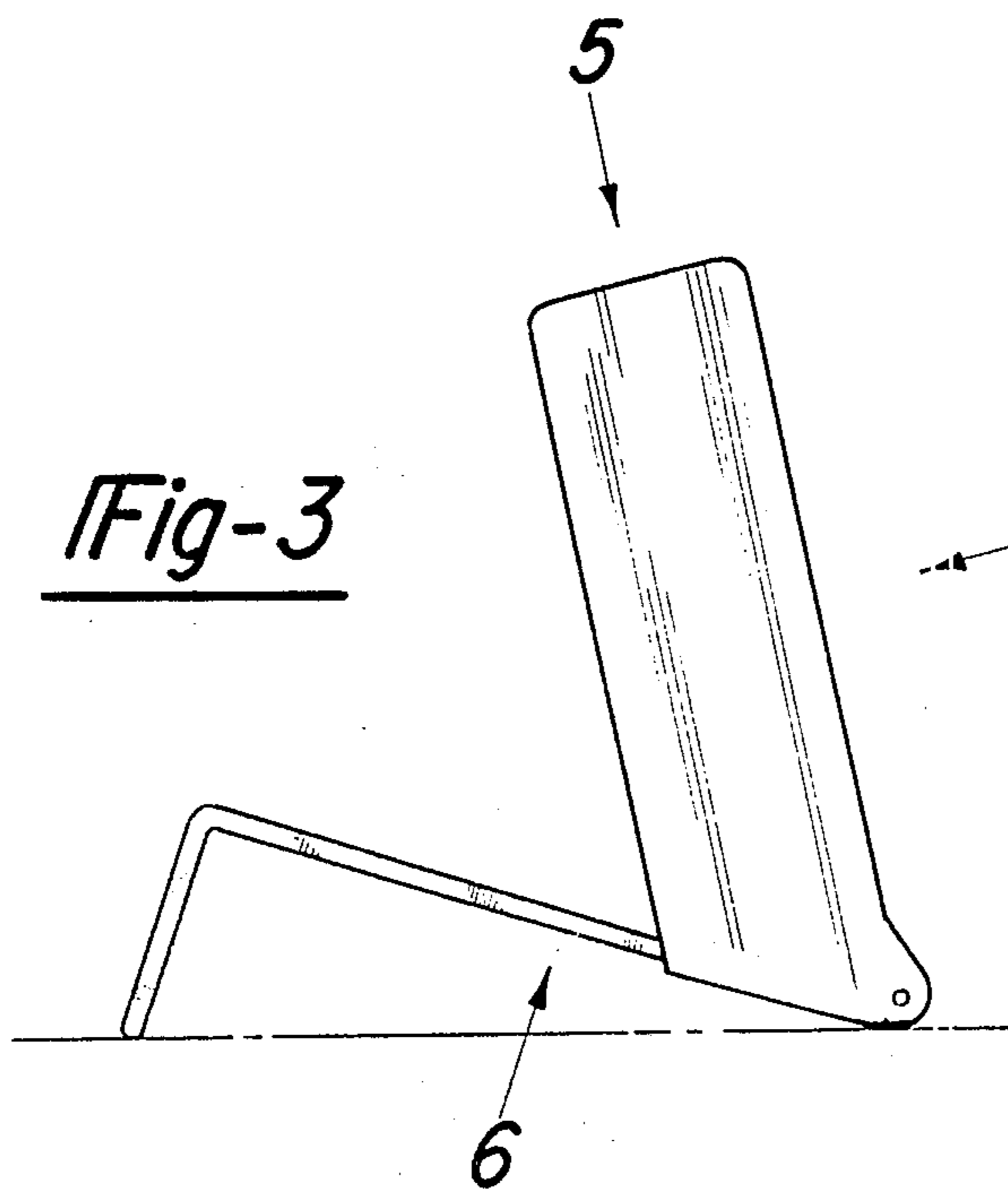


Fig-3

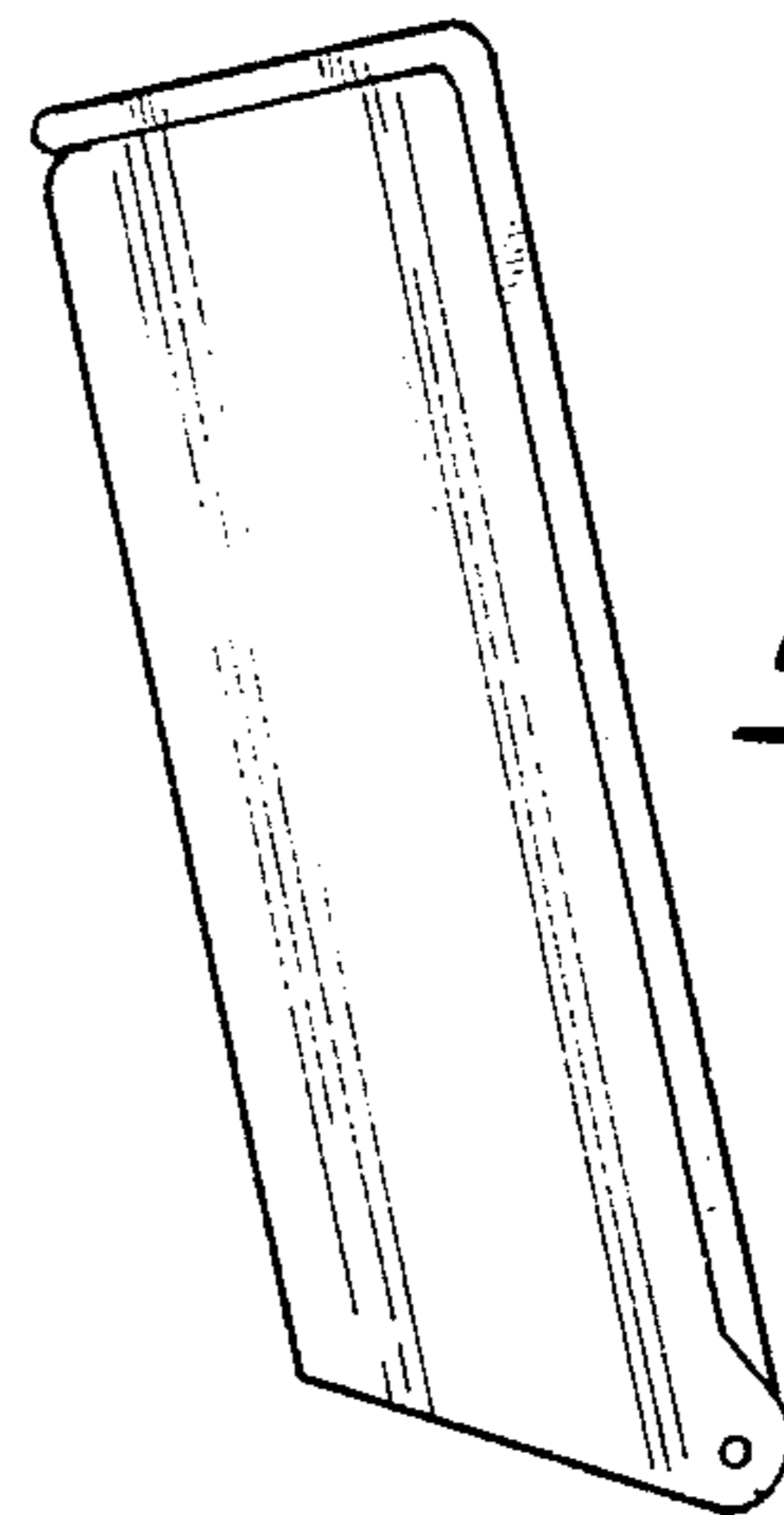


Fig-7

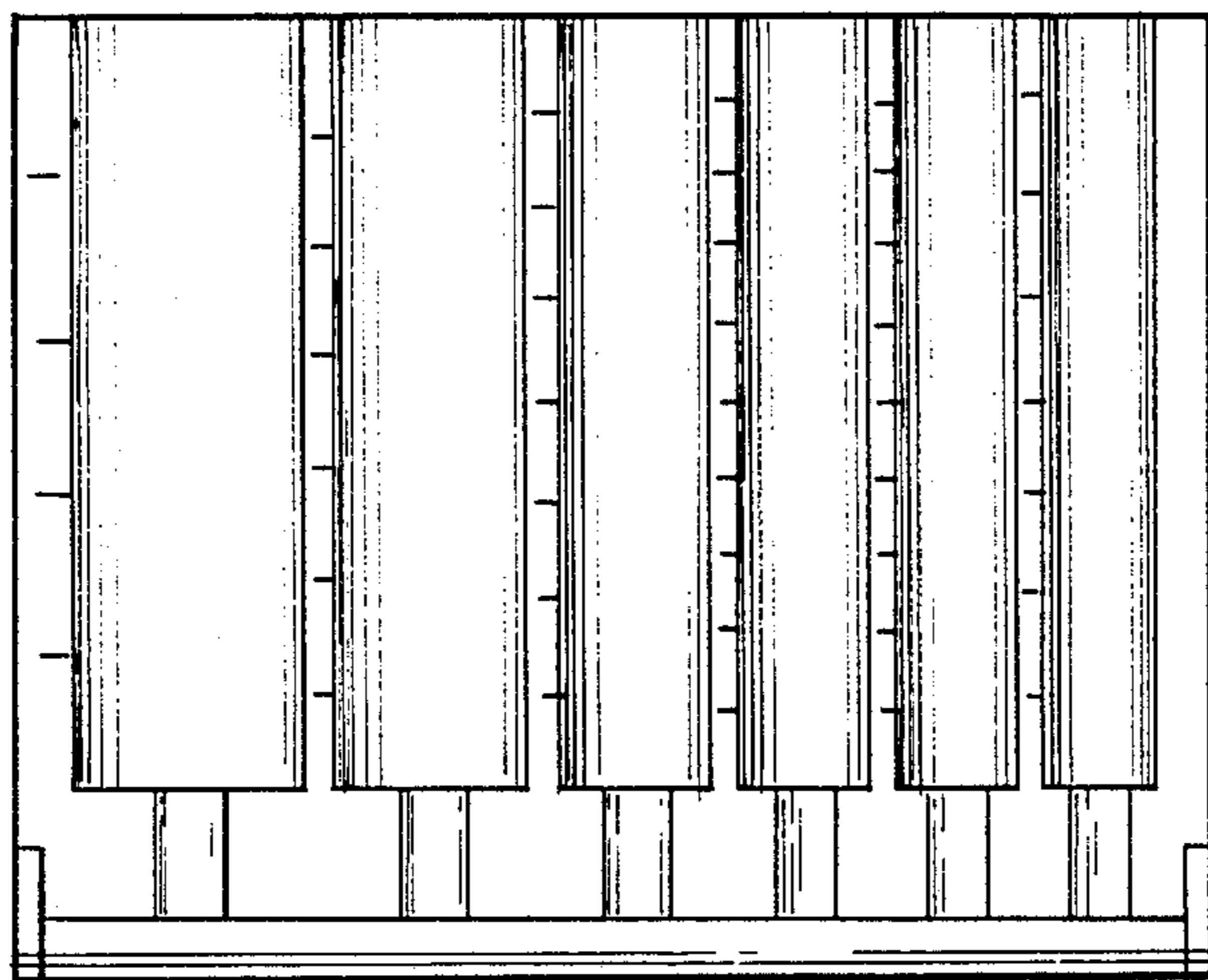


Fig-4

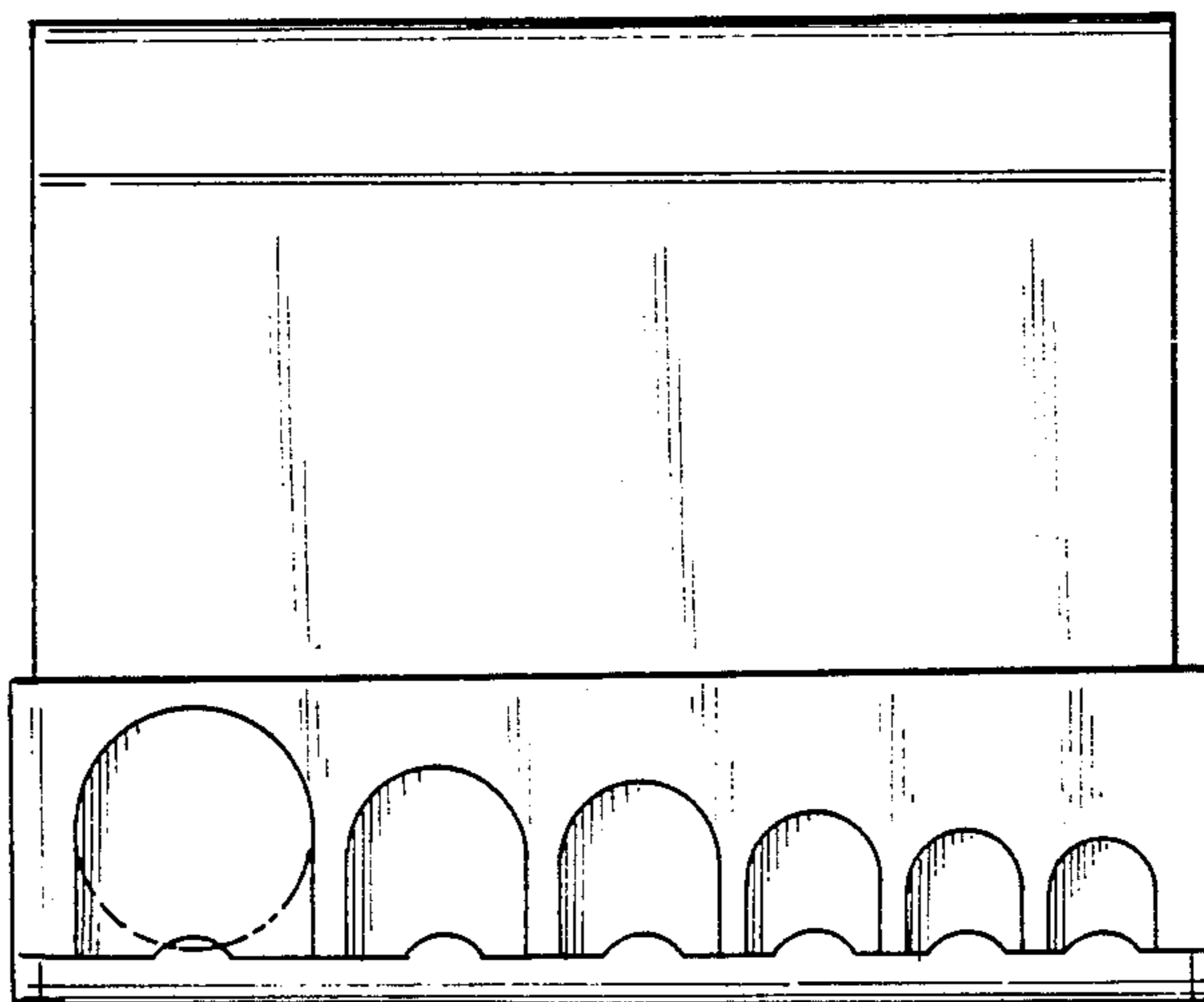


Fig-5

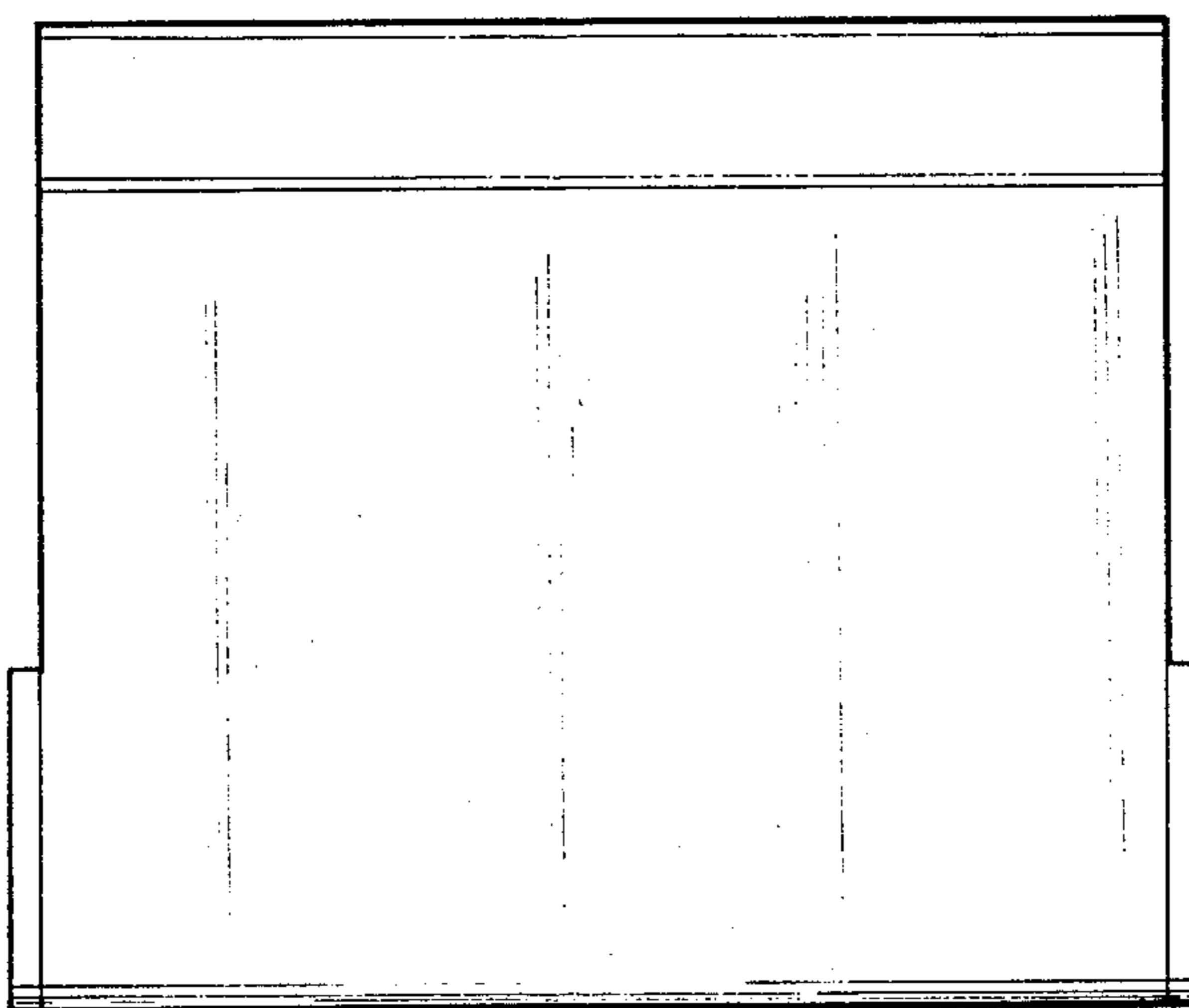


Fig-6