

[54] **FROST AND ICE SCRAPER**

[76] **Inventor: Robert D. Durgin, 13821 Arctic Ave.,
Rockville, Md. 20853**

[**] **Term: 14 Years**

[21] **Appl. No.: 63,902**

[22] **Filed: Jun. 18, 1987**

[52] **U.S. Cl. D32/46**

[58] **Field of Search D32/35, 40-43,
D32/46-49; D8/90, 101; 15/104.16, 105,
236.01-236.10; 30/169, 172, 280, 286, 336-339**

[56] **References Cited**

U.S. PATENT DOCUMENTS

2,242,992 5/1941 Devor 15/105 X
2,277,528 3/1942 Osborn D32/40 X
4,706,385 11/1987 Iten 30/169

FOREIGN PATENT DOCUMENTS

966 of 1873 United Kingdom 15/236.05

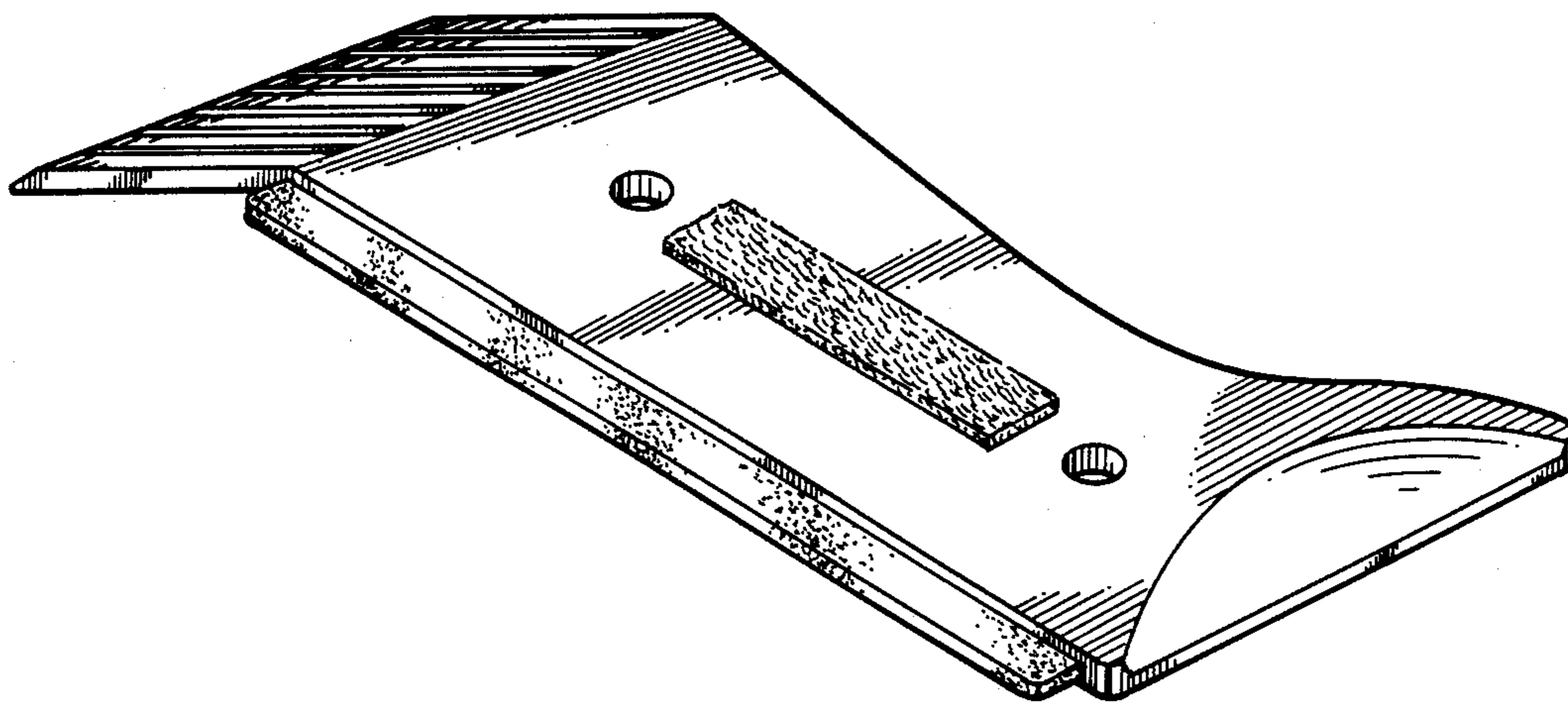
Primary Examiner—Wallace R. Burke
Assistant Examiner—Lavone D. Tabor
Attorney, Agent, or Firm—Richard C. Litman

[57] **CLAIM**

The ornamental design for a frost and ice scraper, as shown.

DESCRIPTION

FIG. 1 is a perspective view of a frost and ice scraper showing my new design;
FIG. 2 is a bottom plan view thereof;
FIG. 3 is a rear elevational view thereof;
FIG. 4 is a top plan view thereof;
FIG. 5 is a front elevational view thereof;
FIG. 6 is a left end elevational view thereof; and
FIG. 7 is a right end elevational view thereof.



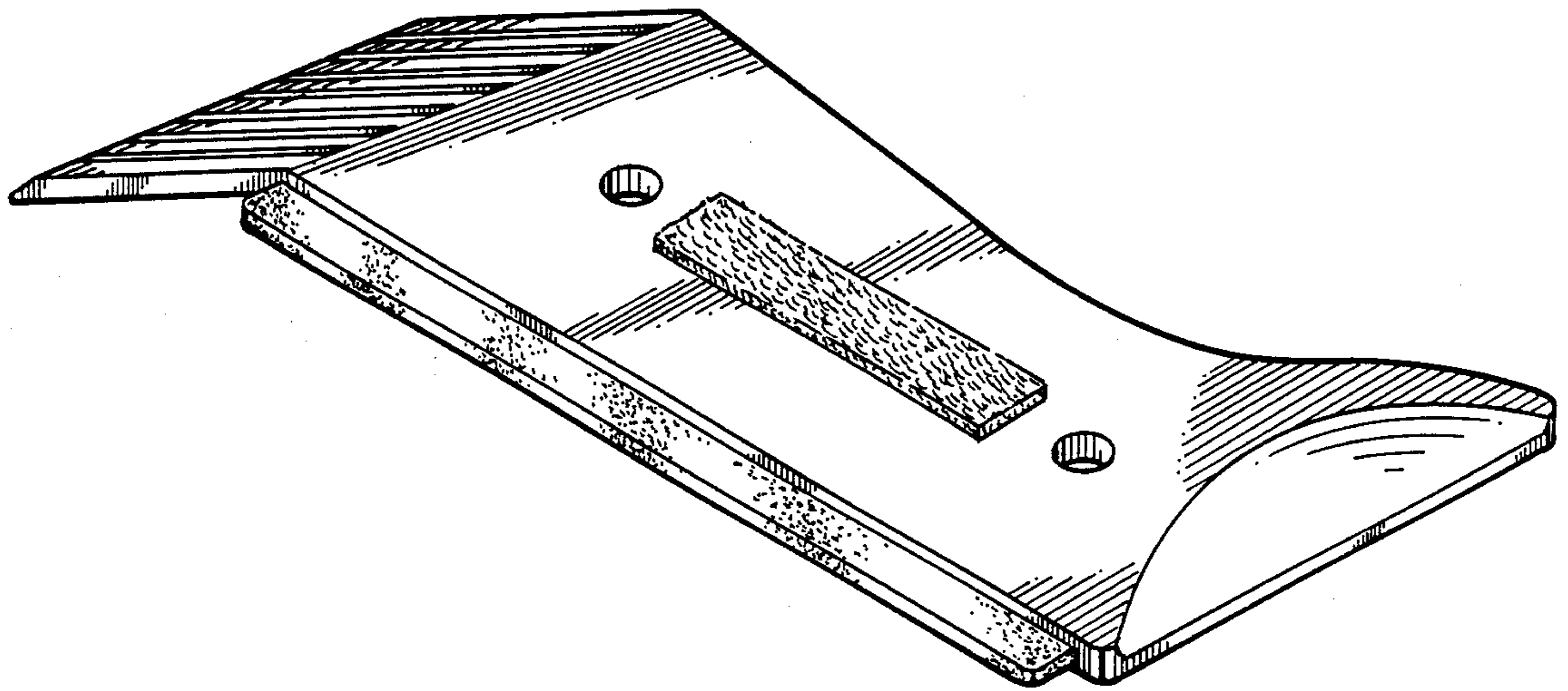


FIG. 1

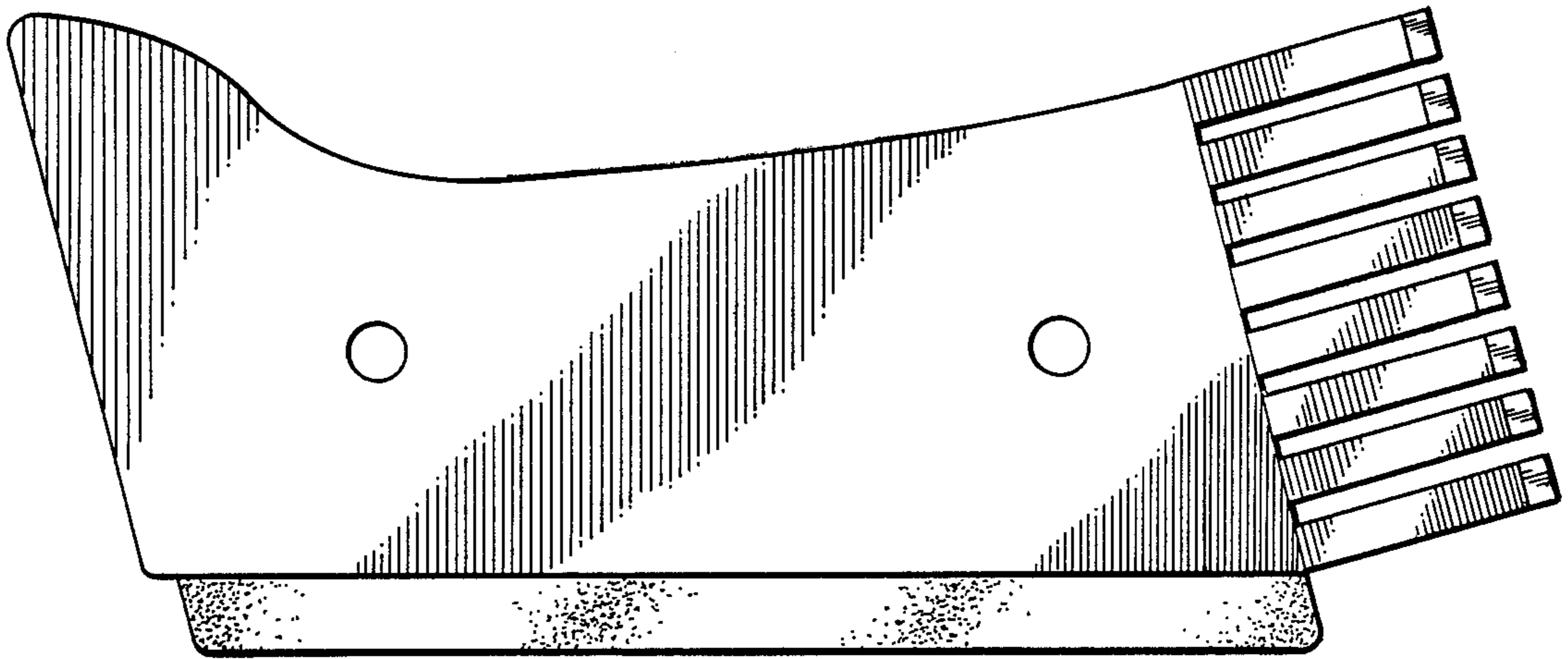


FIG. 2



FIG. 3

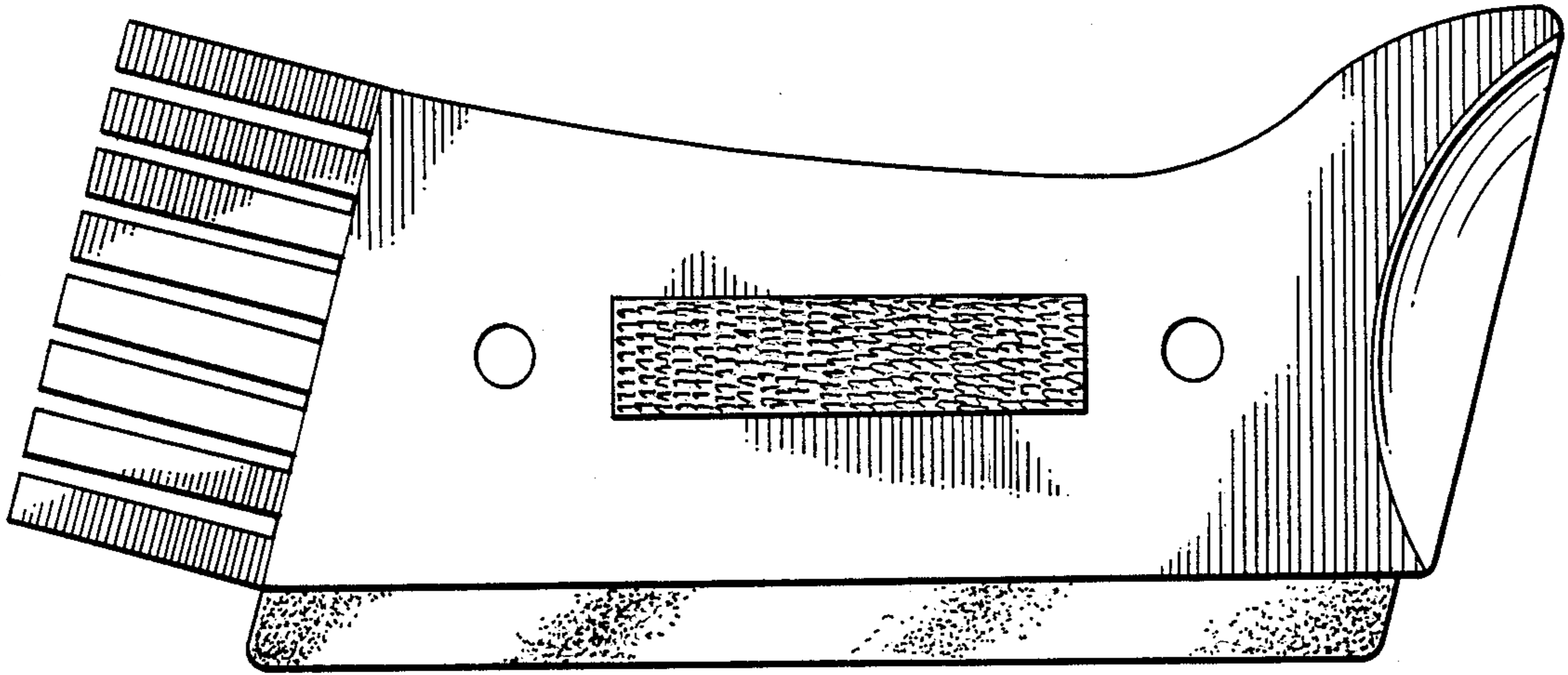


FIG. 4

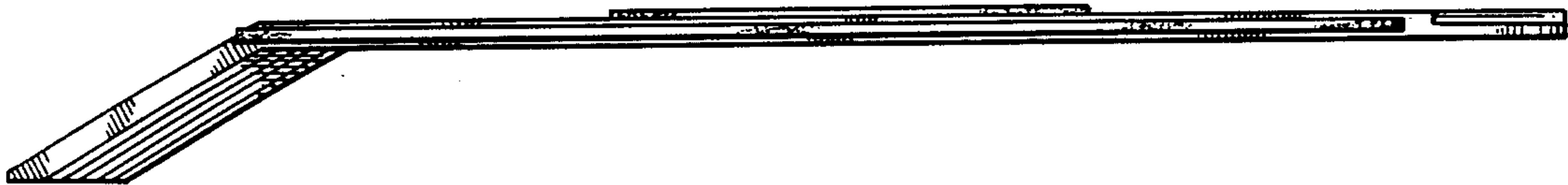


FIG. 5

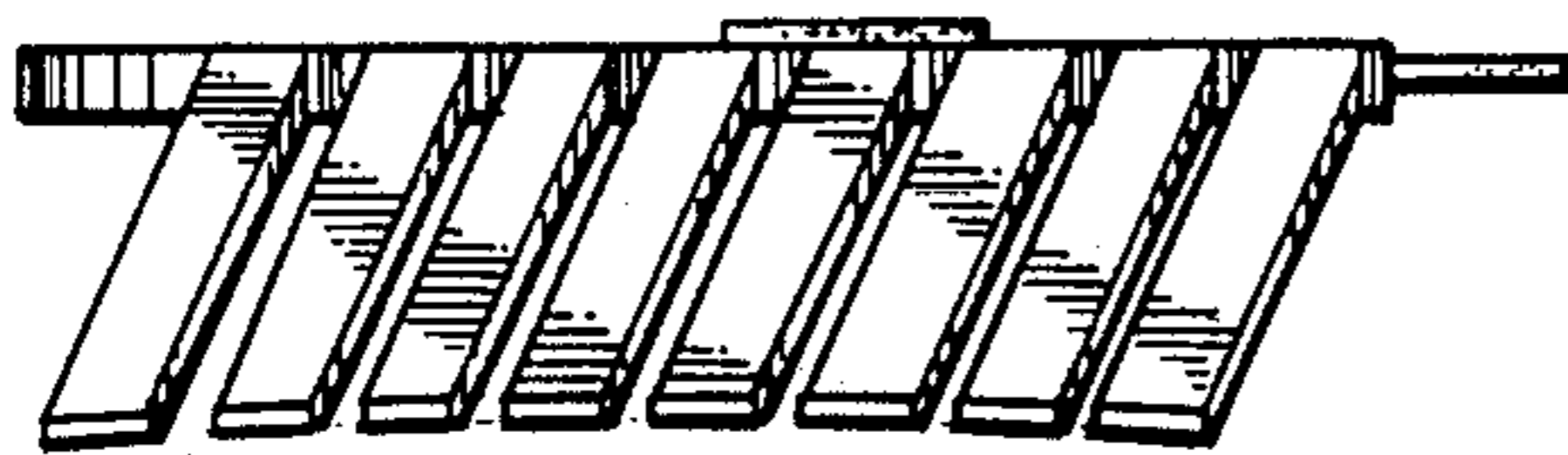


FIG. 6

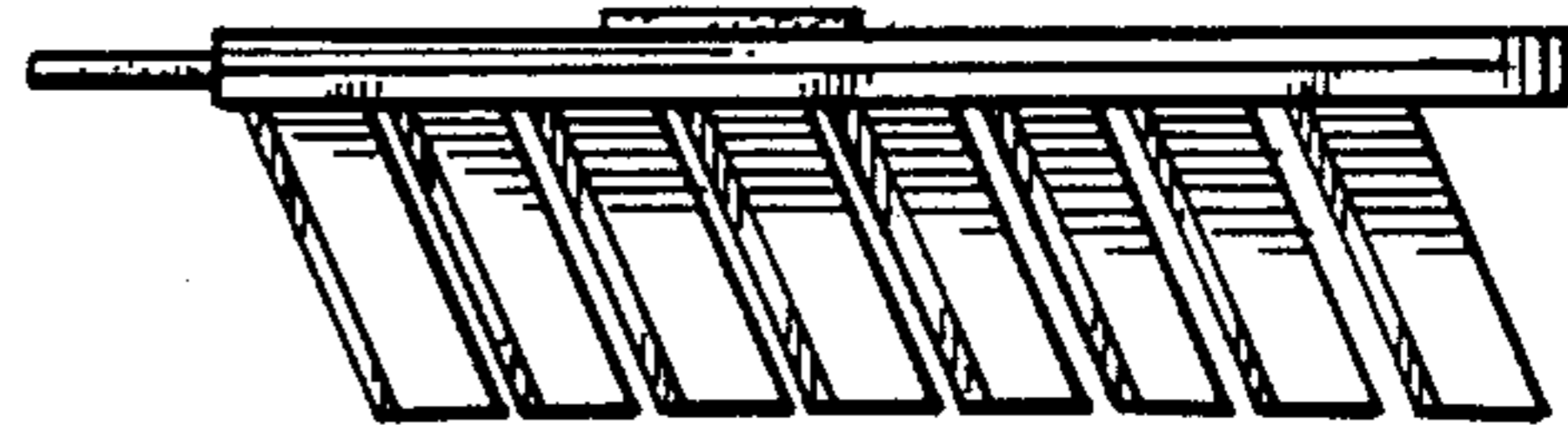


FIG. 7