

[54] MINI CAR VACUUM CLEANER

[75] Inventor: John S. Yuen, Kowloon, Hong Kong

[73] Assignee: John Manufacturing Limited, Kowloon, Hong Kong

[**] Term: 14 Years

[21] Appl. No.: 110,439

[22] Filed: Oct. 20, 1987

[30] Foreign Application Priority Data

Jul. 2, 1987 [GB] United Kingdom 1043188

[52] U.S. Cl. D32/18

[58] Field of Search D32/17, 18, 21, 22; 15/329, 344, 350, 351

[56] References Cited

U.S. PATENT DOCUMENTS

D. 144,627 5/1946 Morgan et al. D32/18

D. 176,422 12/1955 Madl D32/18
D. 184,829 4/1959 Nerheim D32/18
D. 238,651 2/1976 Fortune D32/18

Primary Examiner—Bruce W. Dunkins
Assistant Examiner—Ruth Takemoto
Attorney, Agent, or Firm—Fay, Sharpe, Beall, Fagan,
Minnich & McKee

[57] CLAIM

The ornamental design for a mini car vacuum cleaner, as shown and described.

DESCRIPTION

FIG. 1 is a top plan view of a mini car vacuum cleaner showing my new design;
FIG. 2 is a right side elevational view thereof, the opposite side being a mirror image;
FIG. 3 is a bottom plan view thereof;
FIG. 4 is a front elevational view thereof;
FIG. 5 is a rear elevational view thereof; and
FIG. 6 is a top, front and side perspective view thereof.

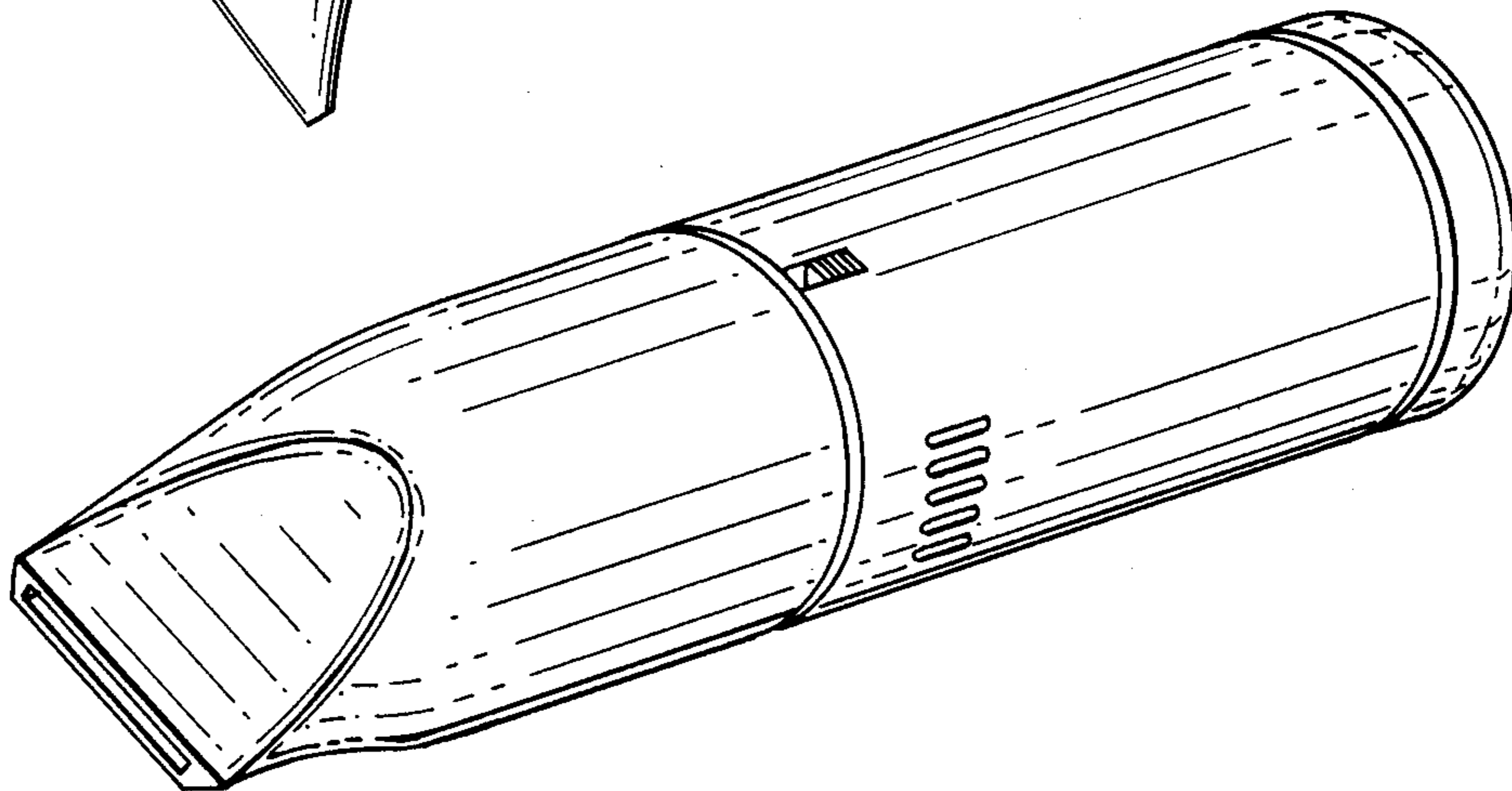
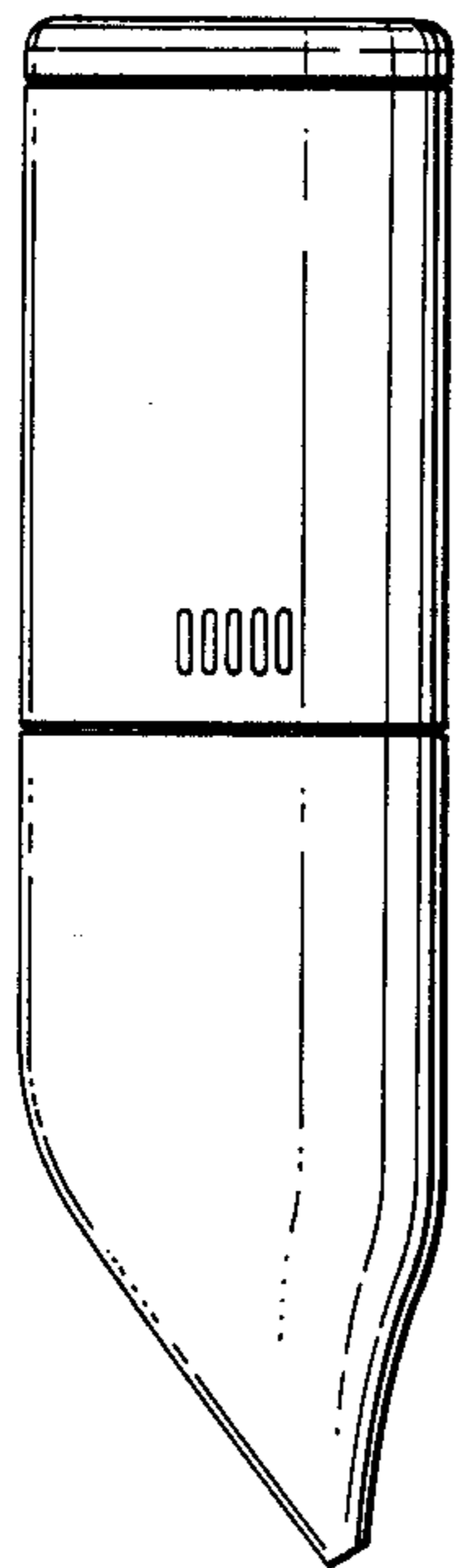


Fig. 1.

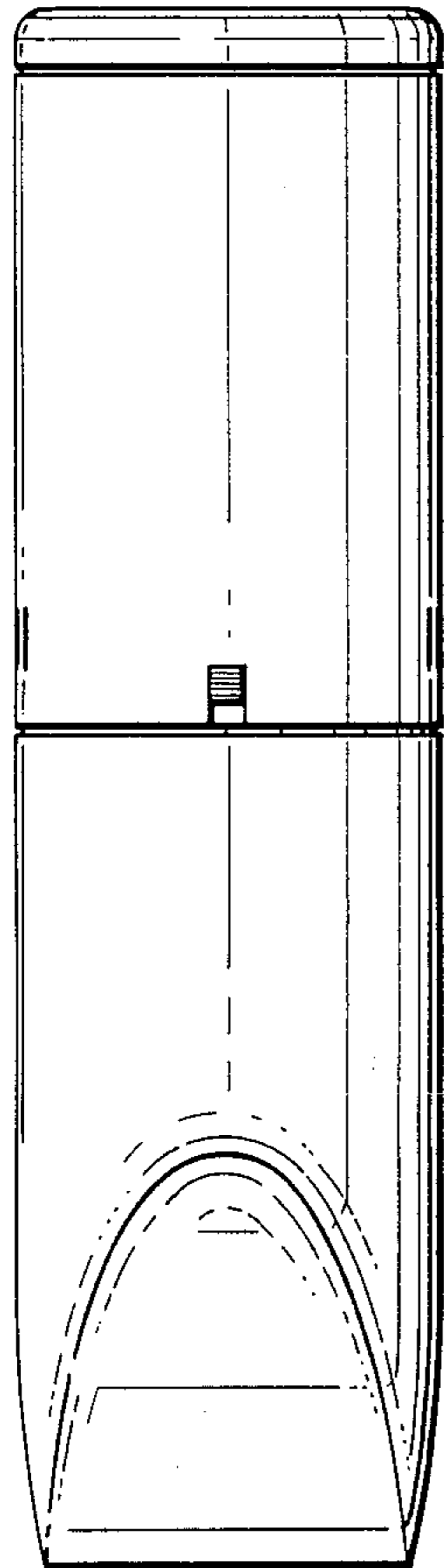


Fig. 2.

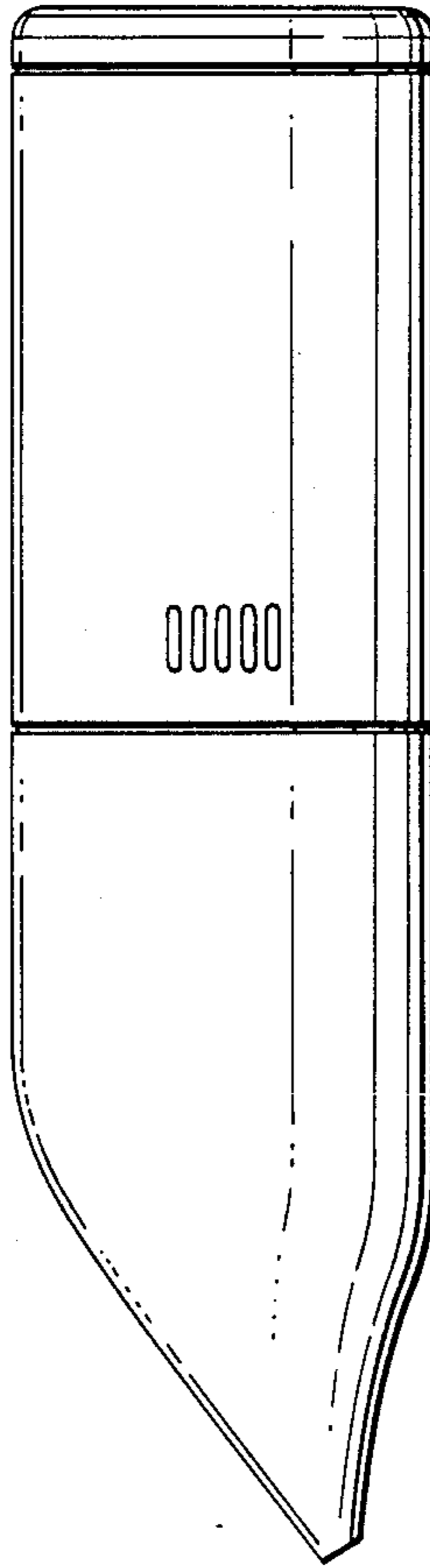


Fig. 3.

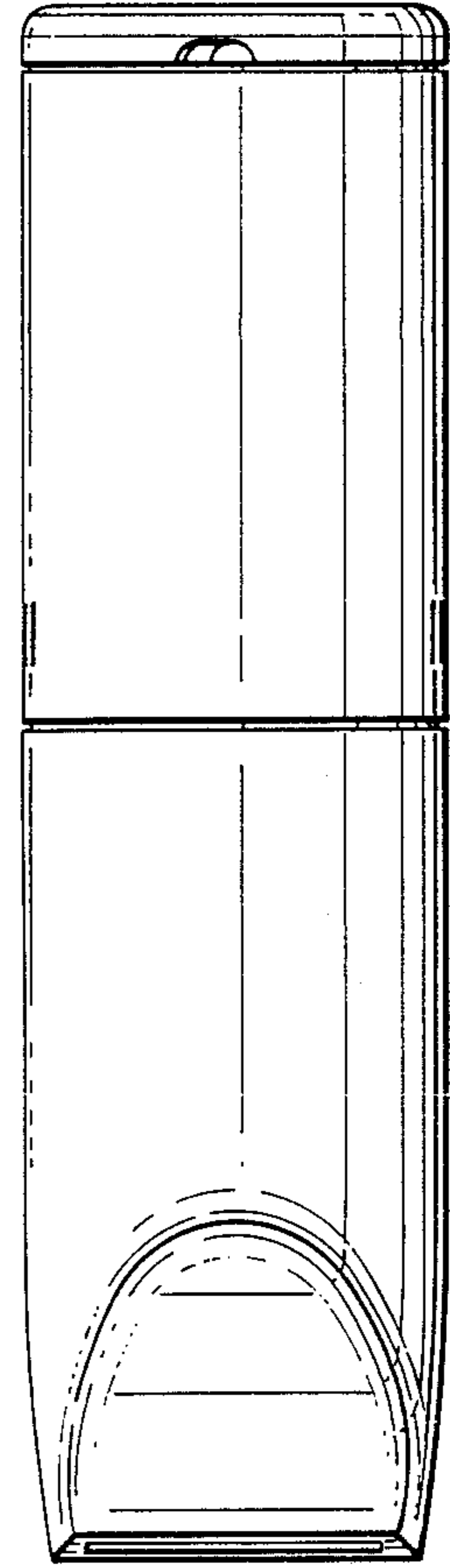


Fig. 4.

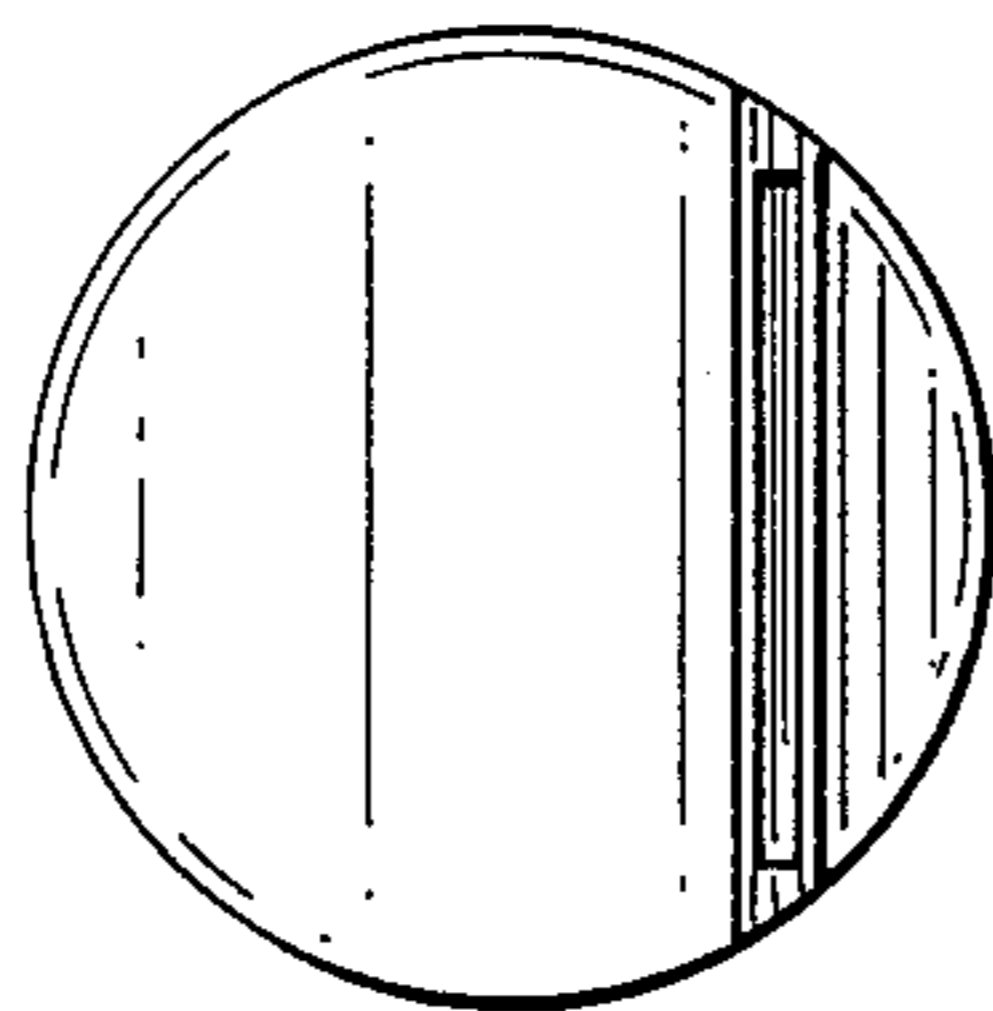
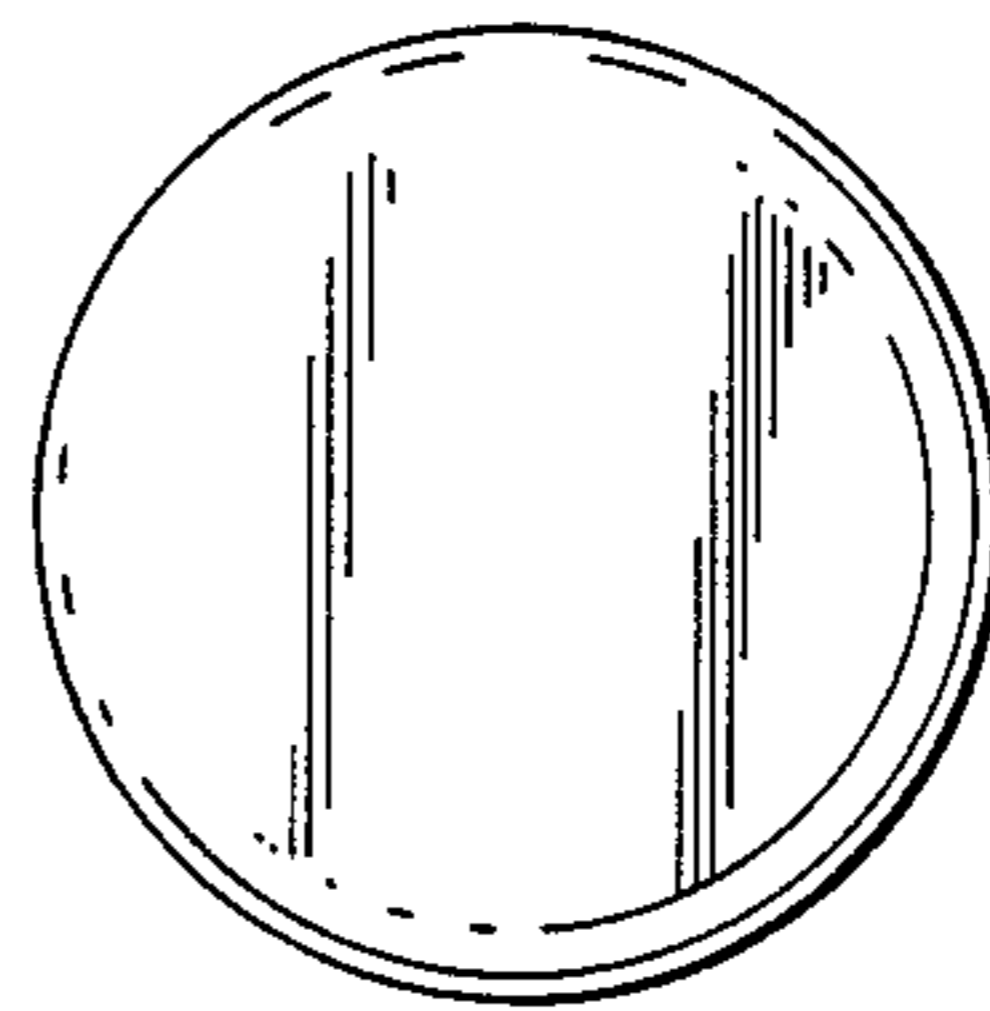


Fig. 5.



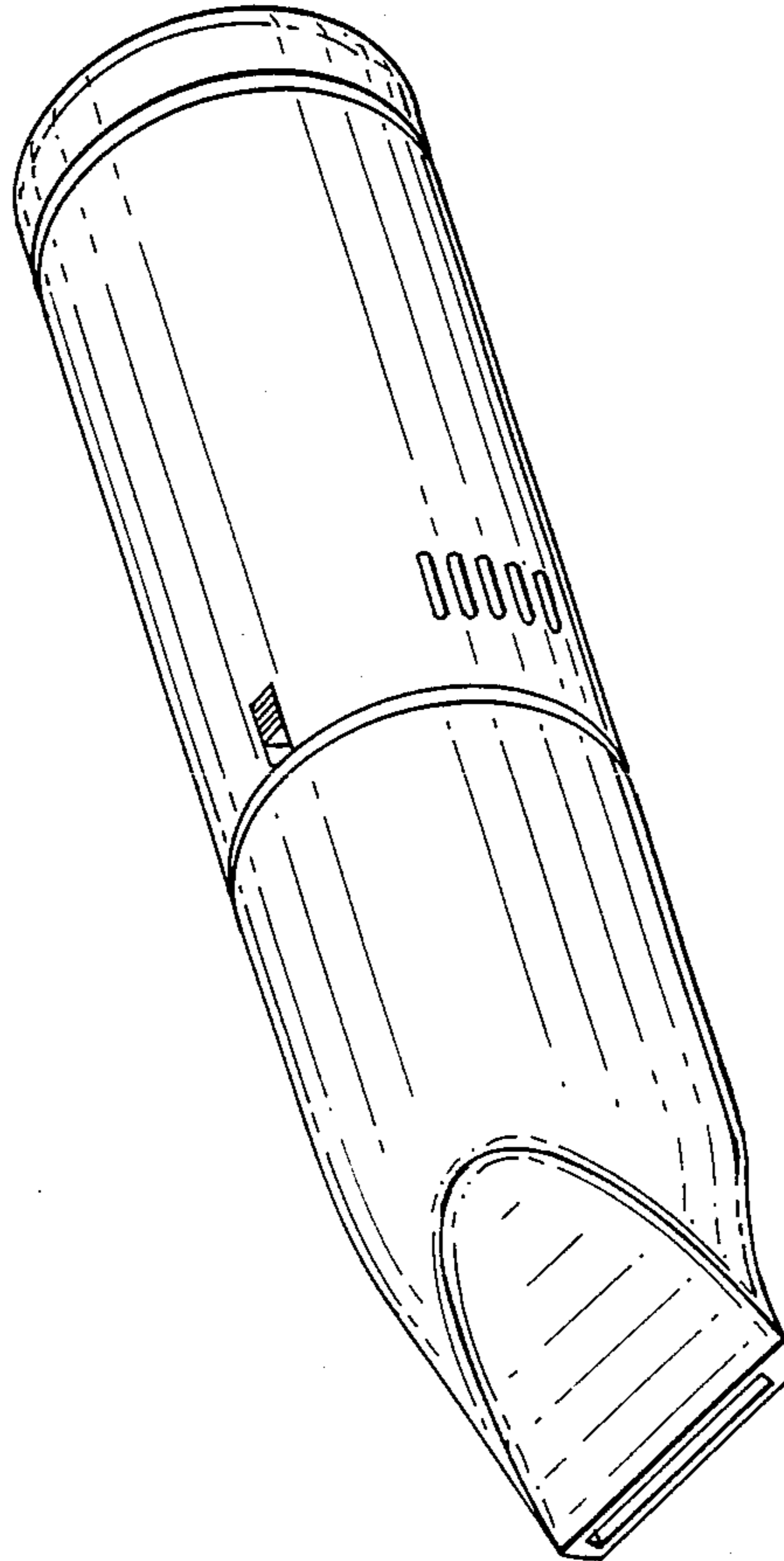


FIG. 6