

[54] COMBINED CONTAINER/BOTTLE AND COSMETIC WAND APPLICATORS OR THE LIKE

[76] Inventors: Henry J. Cassai, 163-47 85th St., Howard Beach, N.Y. 11414; Gino H. Cassai, 924 E. 96th St., Brooklyn, N.Y. 11236

[**] Term: 14 Years

[21] Appl. No.: 252,442

[22] Filed: Oct. 3, 1988

Related U.S. Application Data

[62] Division of Ser. No. 765,394, Aug. 14, 1985.
[52] U.S. Cl. D28/77; D9/338; D28/7
[58] Field of Search D28/4-7, D28/9, 73-91.1, 99; D9/337, 338; 206/235, 385, 587, 823; 132/202, 208, 212, 218, 286, 317-320, 333; 401/118, 129

References Cited

U.S. PATENT DOCUMENTS

- D. 120,662 5/1940 Christy D28/86
D. 121,950 8/1940 Christy D28/86
D. 127,608 6/1941 Prina D28/86
D. 167,690 9/1952 Hopgood D28/86
D. 183,674 10/1958 Bau D28/7 X
D. 203,794 2/1966 Wassying D28/86
D. 287,168 12/1986 Kingsford et al. D28/77
4,600,328 7/1986 Clements 401/129

FOREIGN PATENT DOCUMENTS

2037409 2/1972 Fed. Rep. of Germany D28/7

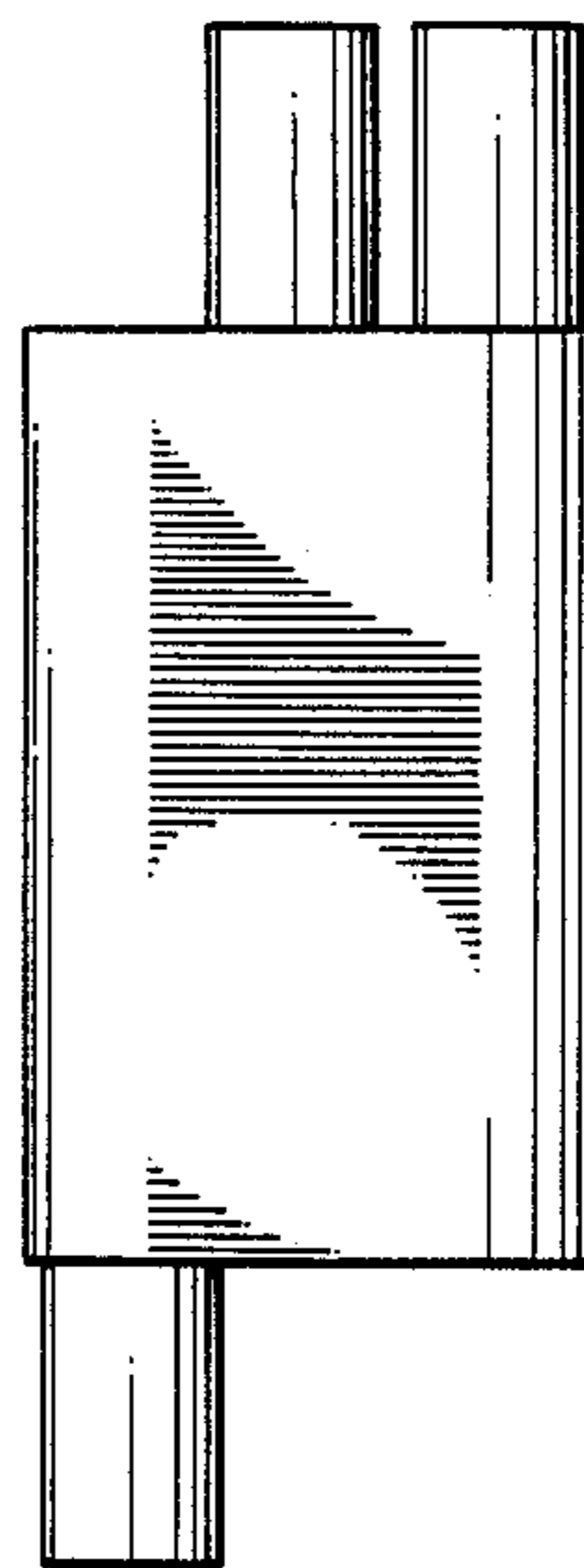
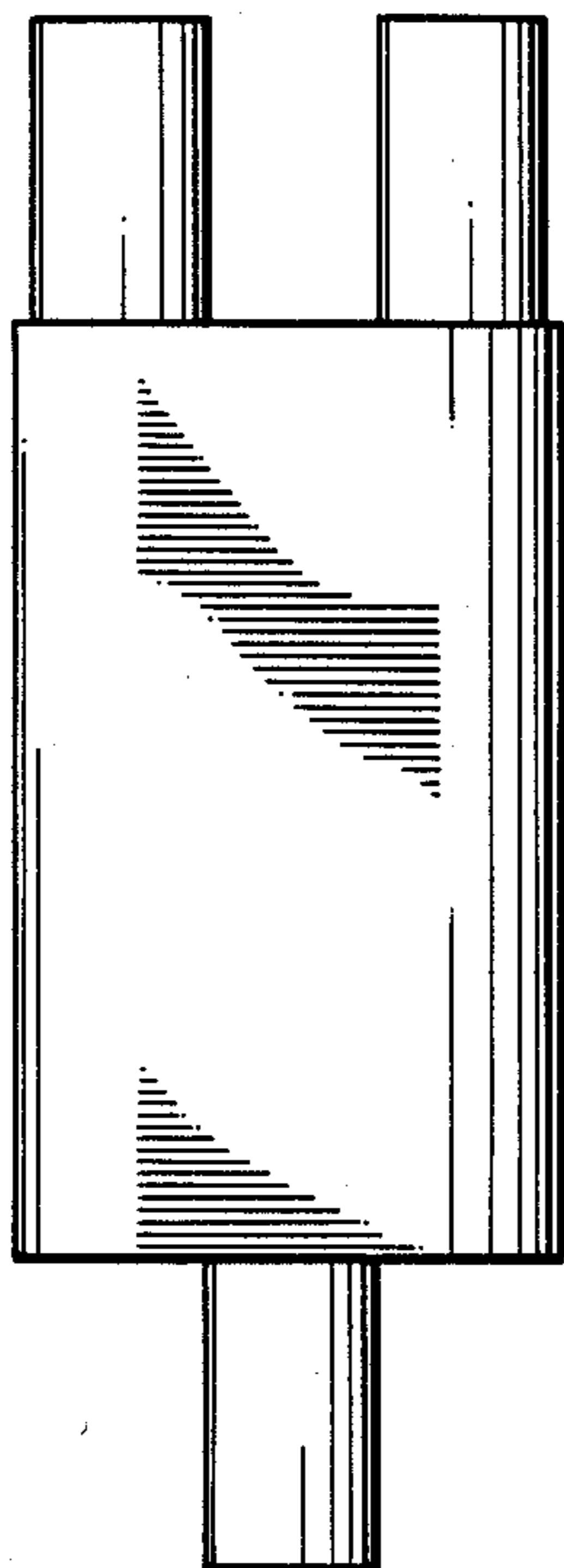
Primary Examiner—Louis S. Zarfes

[57] CLAIM

The ornamental design for a combined container/bottle and cosmetic wand applicators, or the like, as shown and described.

DESCRIPTION

FIG. 1 is a side elevational view with partial cross-section of a combined container/bottle and cosmetic wand applicators or the like showing our new design;
FIG. 2 is a side elevational view, without cross-section showing our new design;
FIG. 3 is a front elevational view, the rear being the same;
FIG. 4 is an exploded rear elevational view showing a second embodiment of our new design wherein the caps are modified;
FIG. 5 is a top plan view thereof with caps removed;
FIG. 6 is a bottom plan view twith cap removed;
FIG. 7 is a side elevational view with partial cross-section showing a third embodiment of our new design;
FIG. 8 is a side elevational view thereof without cross-section;
FIG. 9 is a front elevational view thereof;
FIG. 10 is an exploded rear elevational view showing a fourth embodiment of our new design with modified caps;
FIG. 11 is a top plan view thereof with caps removed; and
FIG. 12 is a bottom plan view thereof with cap removed.



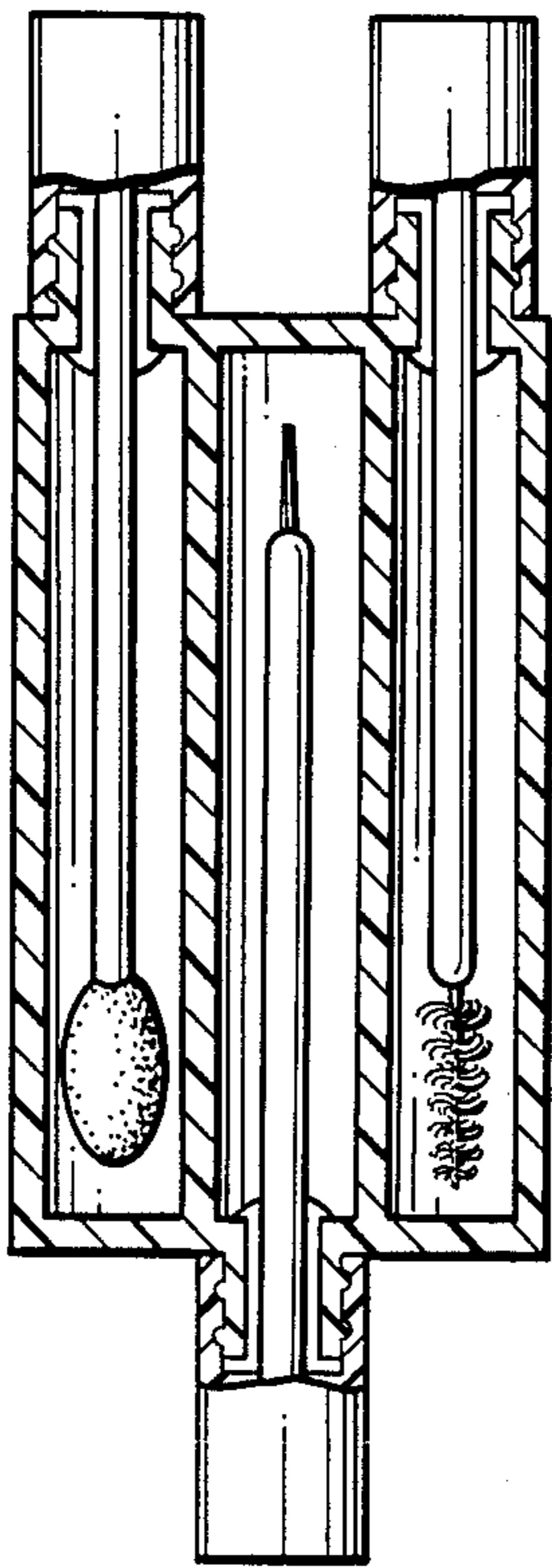


FIG. 1

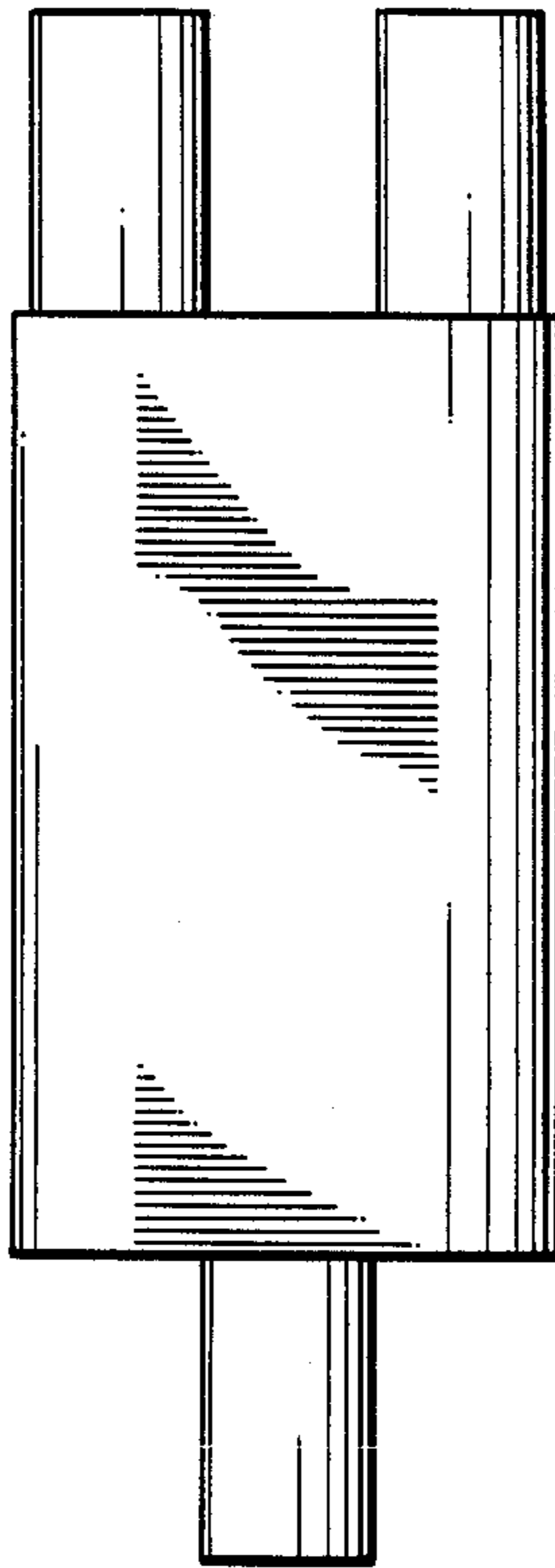


FIG. 2

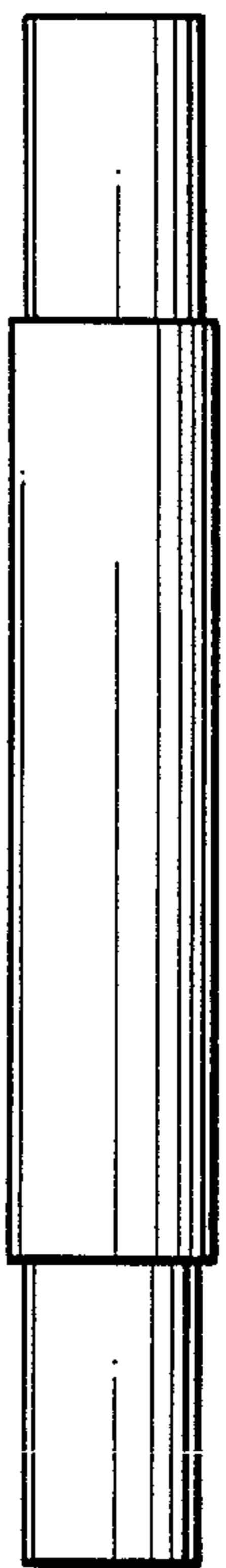


FIG. 3

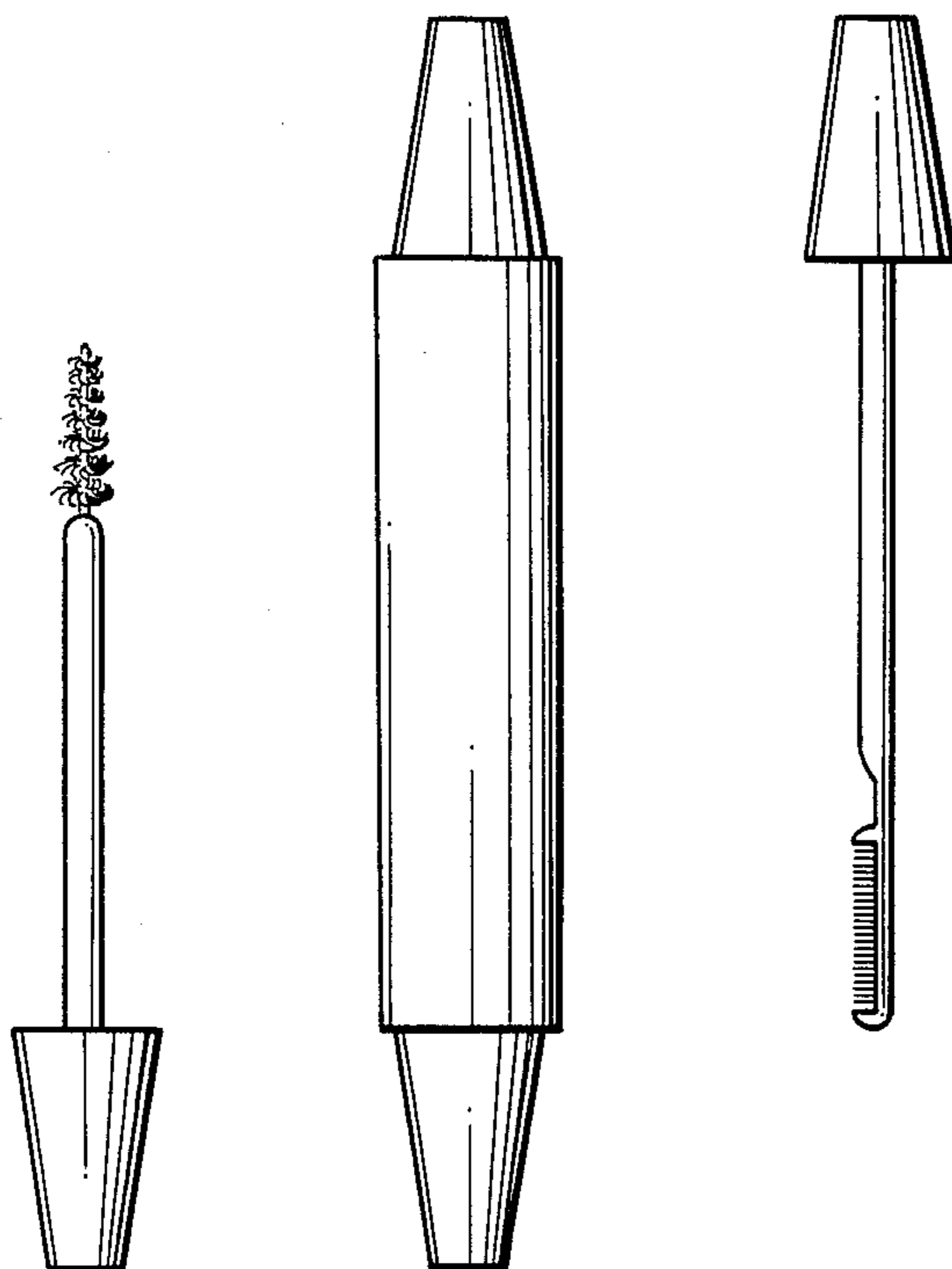


FIG. 4

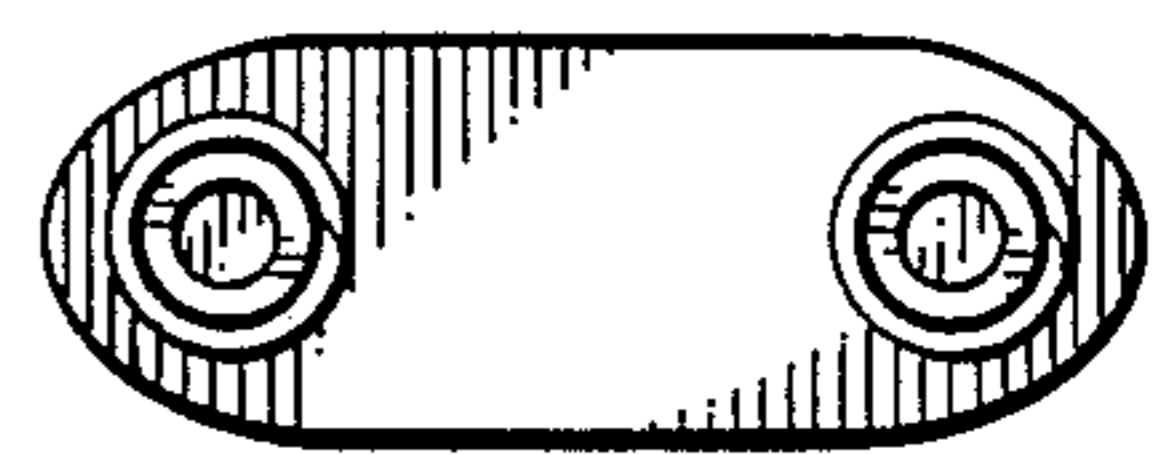


FIG. 5



FIG. 6

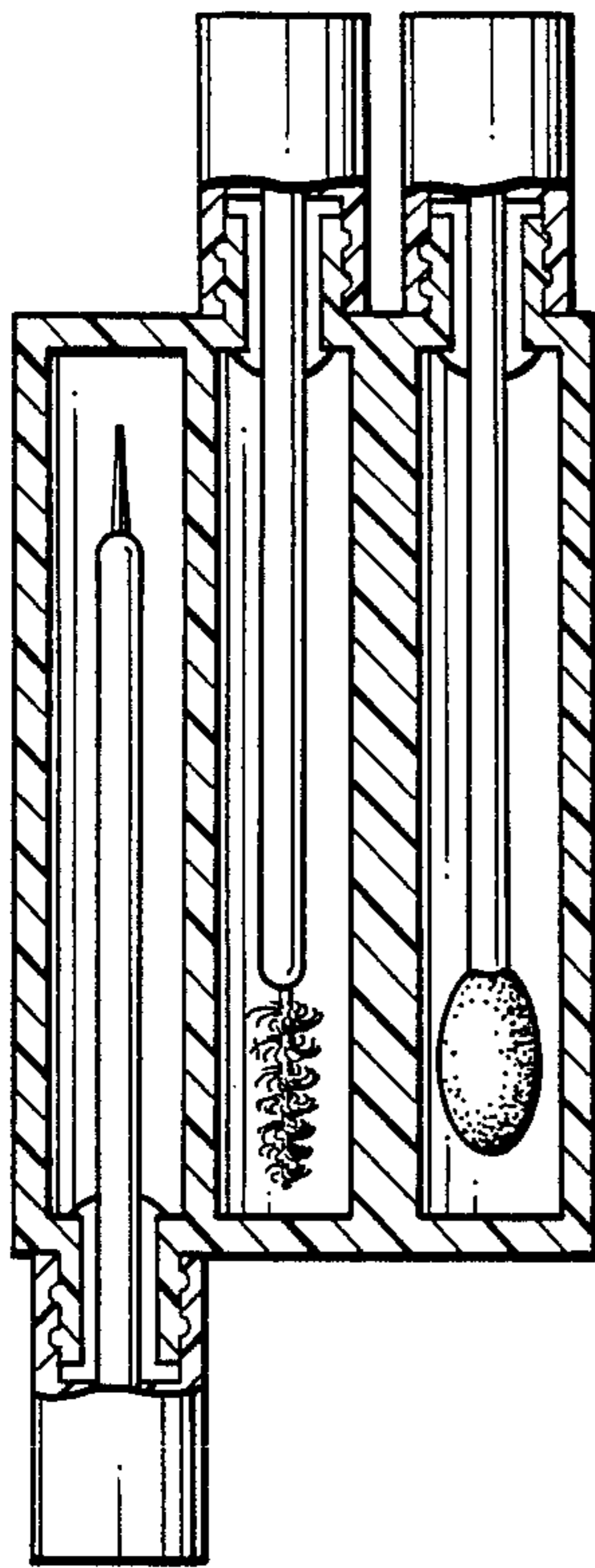


FIG. 7

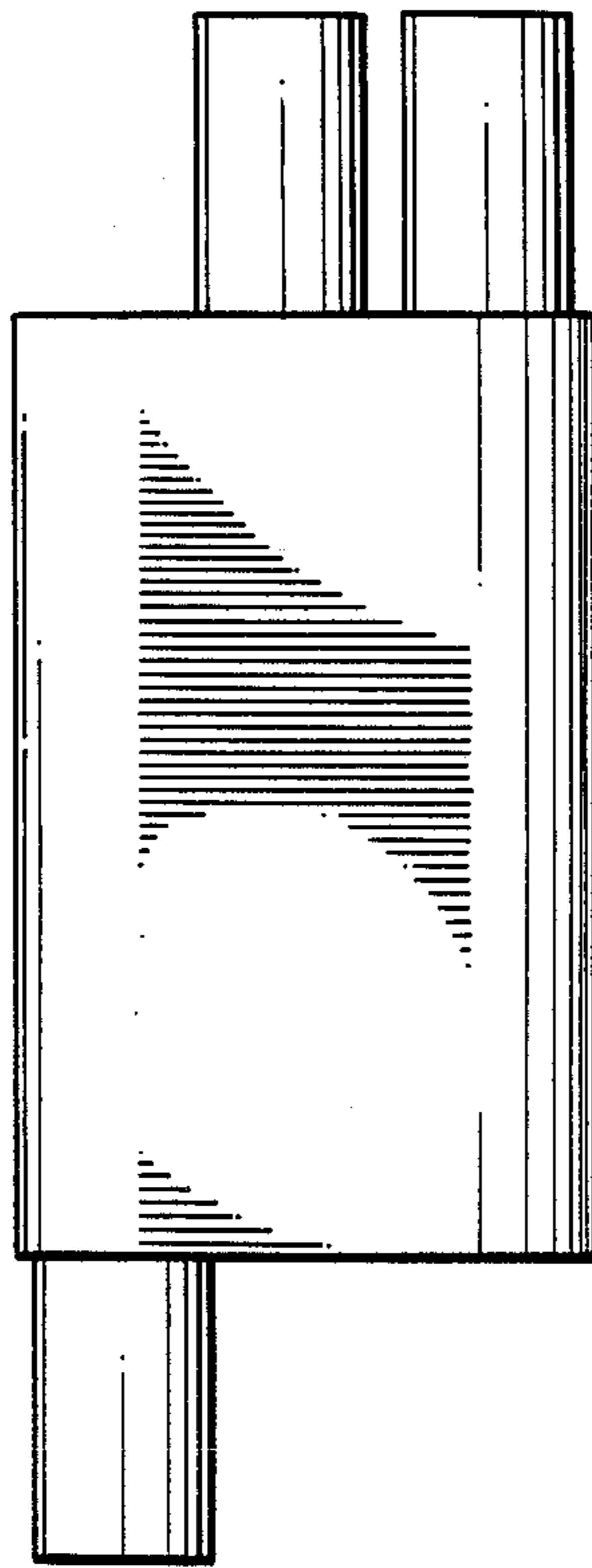


FIG. 8

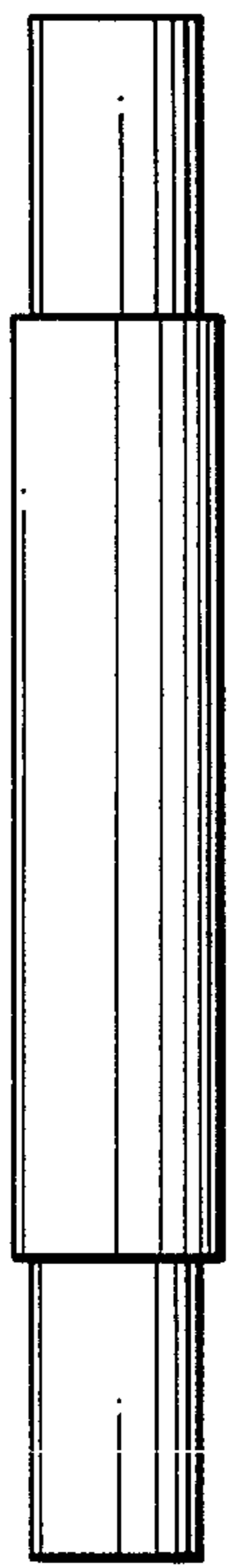


FIG. 9

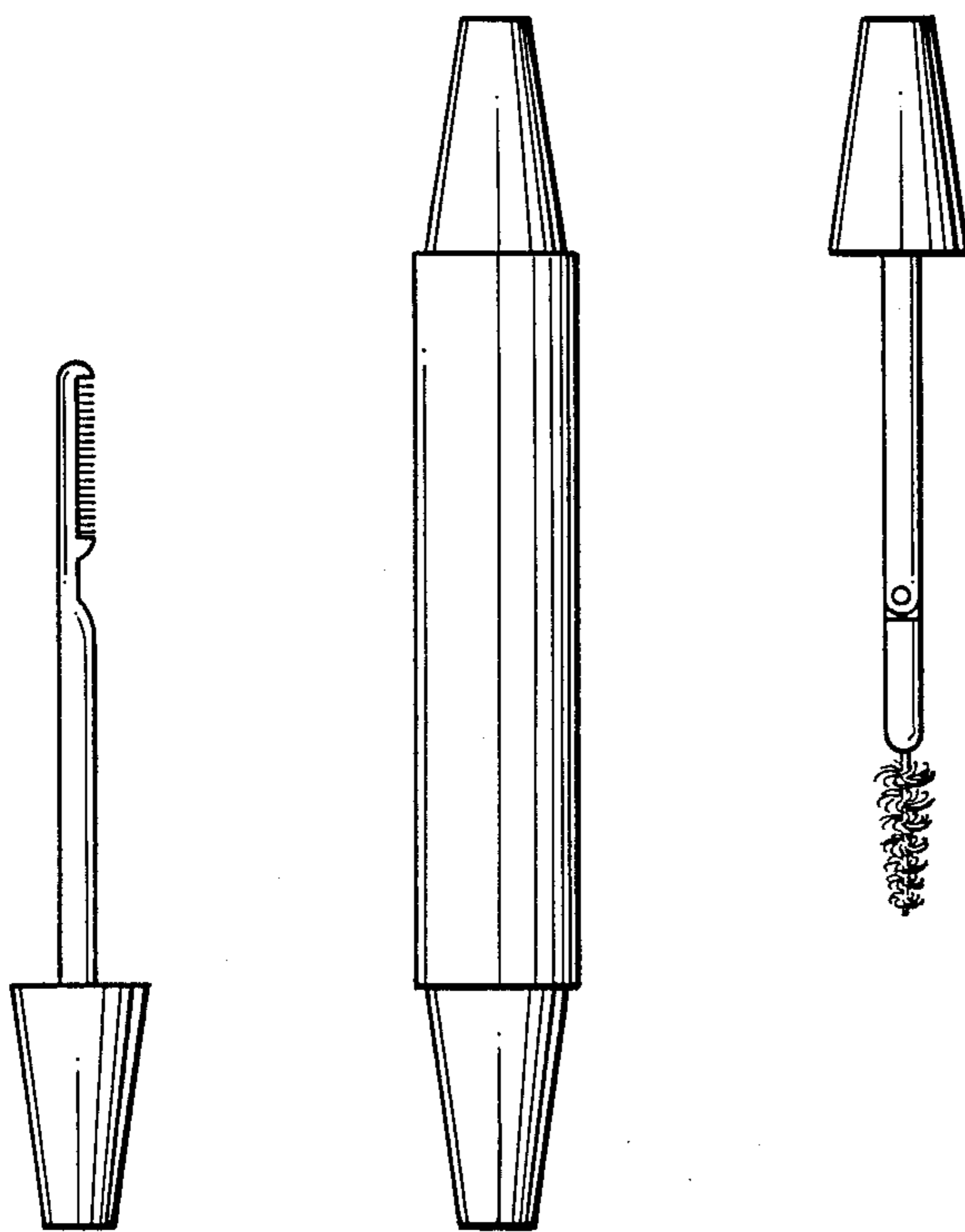


FIG. 10

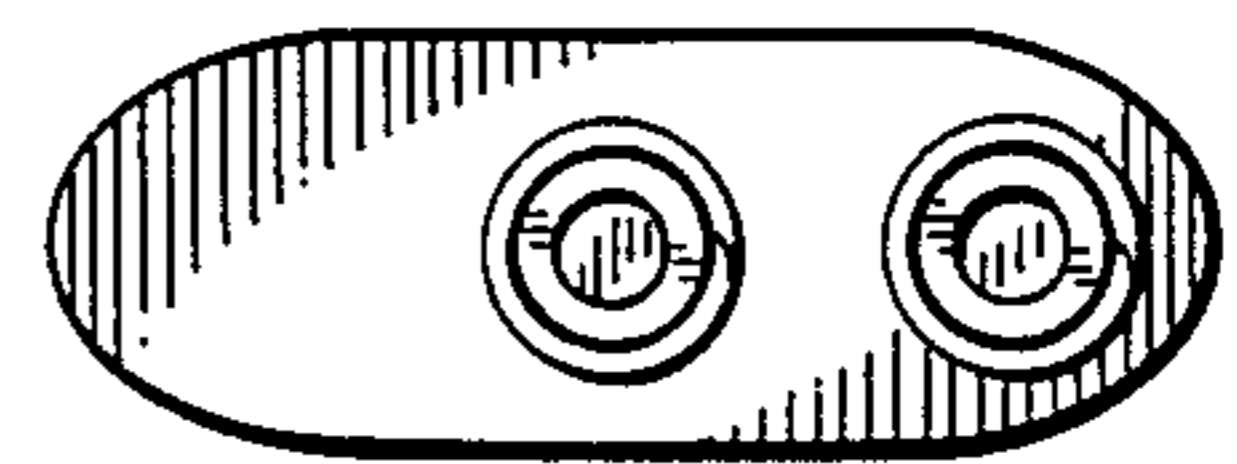


FIG. 11

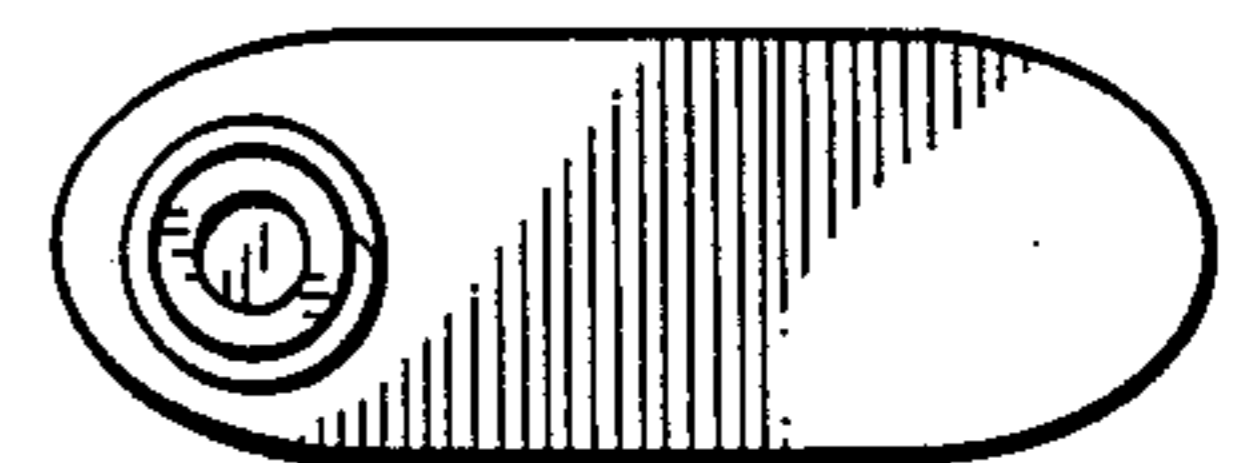


FIG. 12