

[54] **TABLE LAMP**

[76] **Inventor: Antonio Bianchi, Via Salomone, 41,
20138 Milan, Italy**

[**] **Term: 14 Years**

[21] **Appl. No.: 22,342**

[22] **Filed: Mar. 5, 1987**

[30] **Foreign Application Priority Data**

Dec. 4, 1986 [IT] Italy 23925/86[U]
[52] **U.S. Cl. D26/65**
[58] **Field of Search D26/60-66;
362/418, 419, 427, 428, 269, 275, 285, 371**

[56] **References Cited**

U.S. PATENT DOCUMENTS

D. 290,884 7/1987 Sano et al. D26/65
1,881,262 10/1932 Conradty 362/269 X
4,595,970 6/1986 Diffrient 362/418 X

FOREIGN PATENT DOCUMENTS

76177 11/1947 Czechoslovakia D26/65

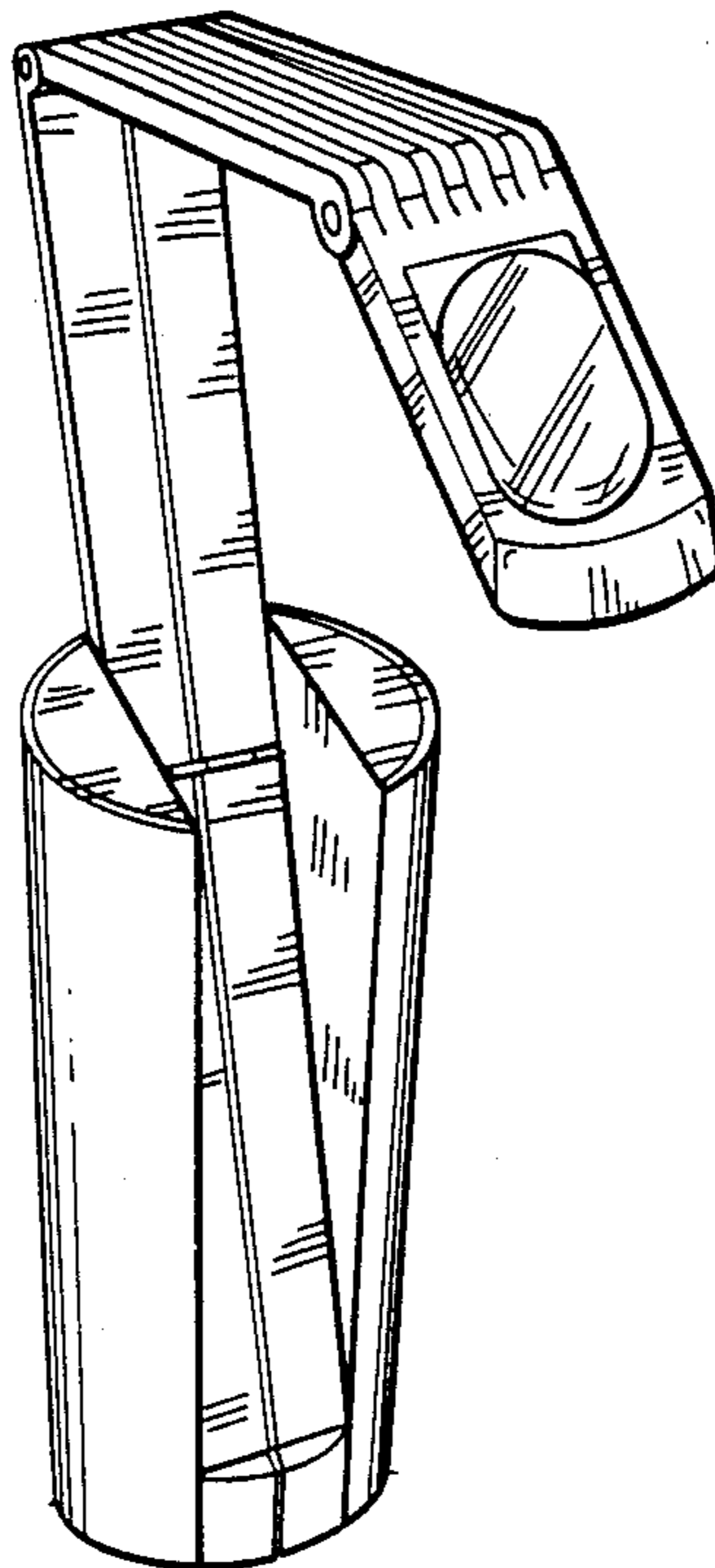
*Primary Examiner—Susan J. Lucas
Attorney, Agent, or Firm—Bucknam and Archer*

[57] **CLAIM**

The ornamental design for a table lamp, as shown and described.

DESCRIPTION

FIG. 1 is a top, front perspective view of the table lamp showing our new design, the lamp being in the closed position;
FIGS. 2, 3, 4 and 5 are top, front perspective views thereof, the lamp being shown in various opened positions;
FIG. 6 is a side elevation view thereof, the lamp being in the open position as shown in FIG. 3, the opposite side being a mirror image;
FIG. 7 is a rear elevation view thereof, the lamp being in the open position as shown in FIG. 4;
FIG. 8 is a bottom plan view thereof, the lamp being in the open position as in FIG. 5.



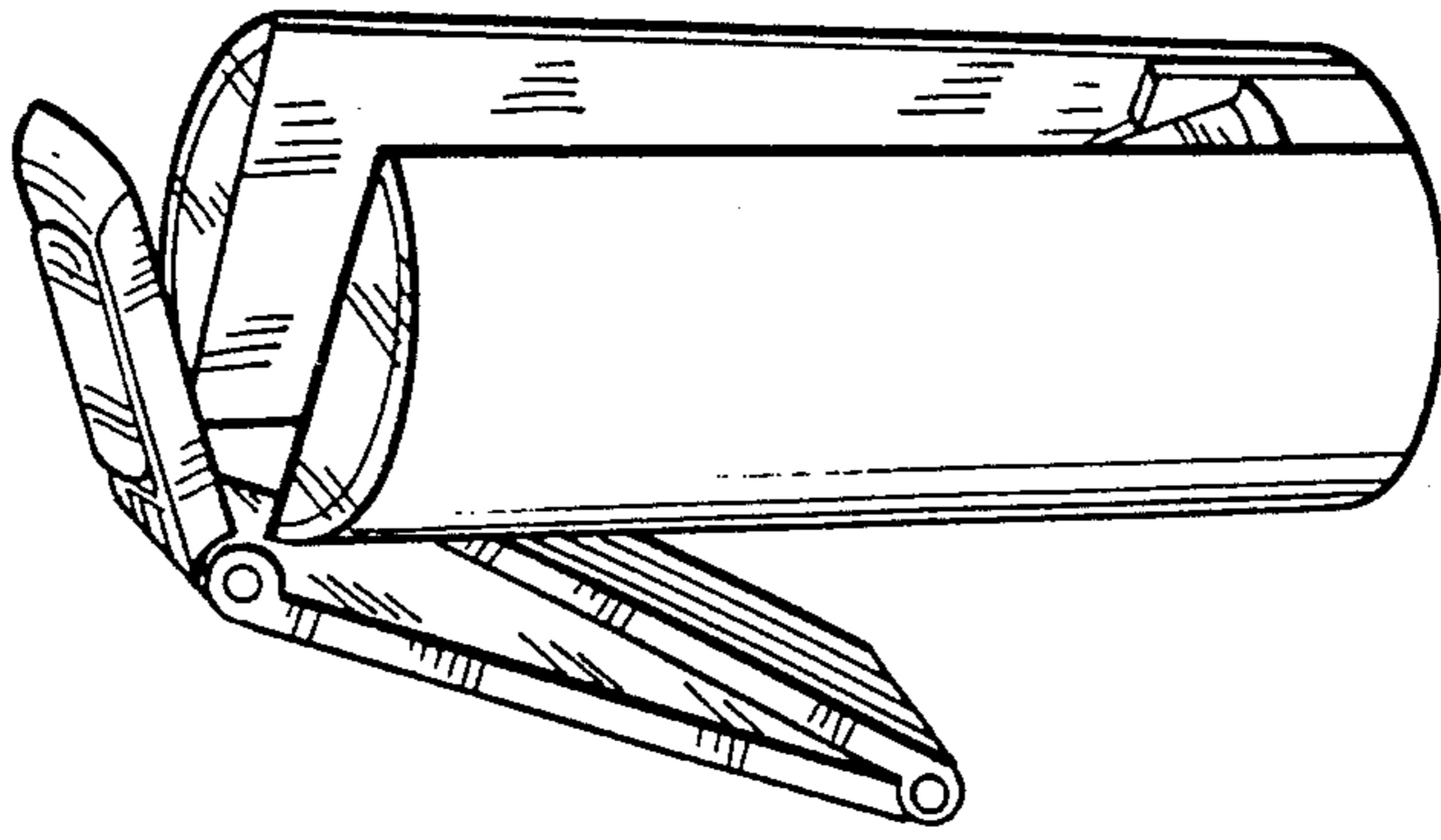


FIG. 3

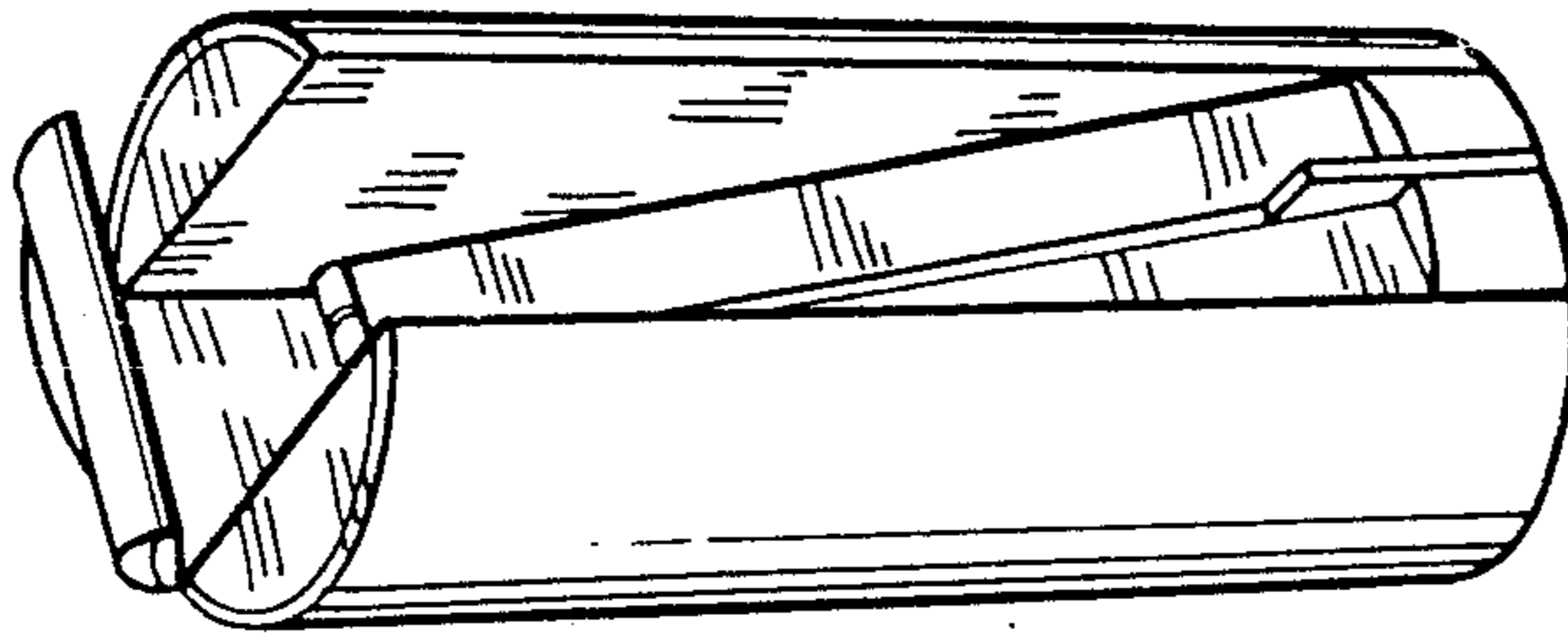


FIG. 2

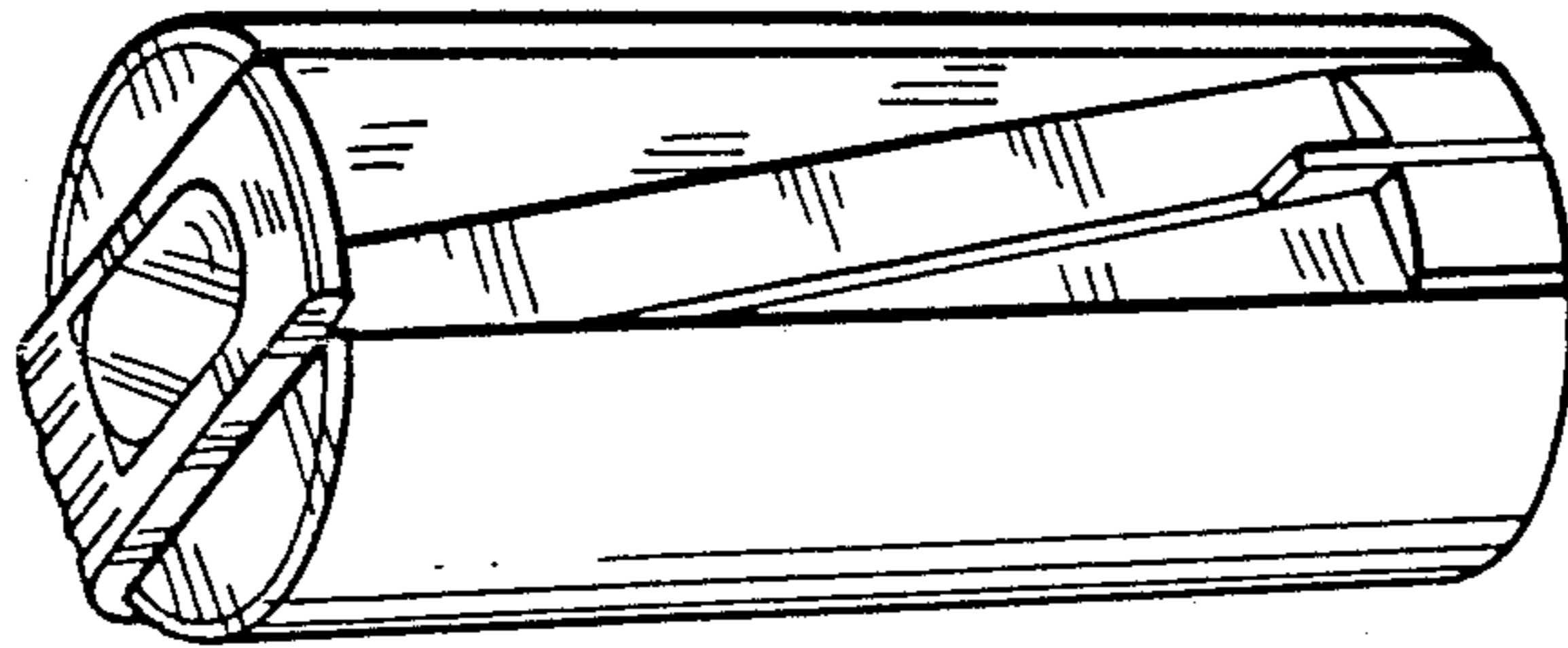


FIG. 1

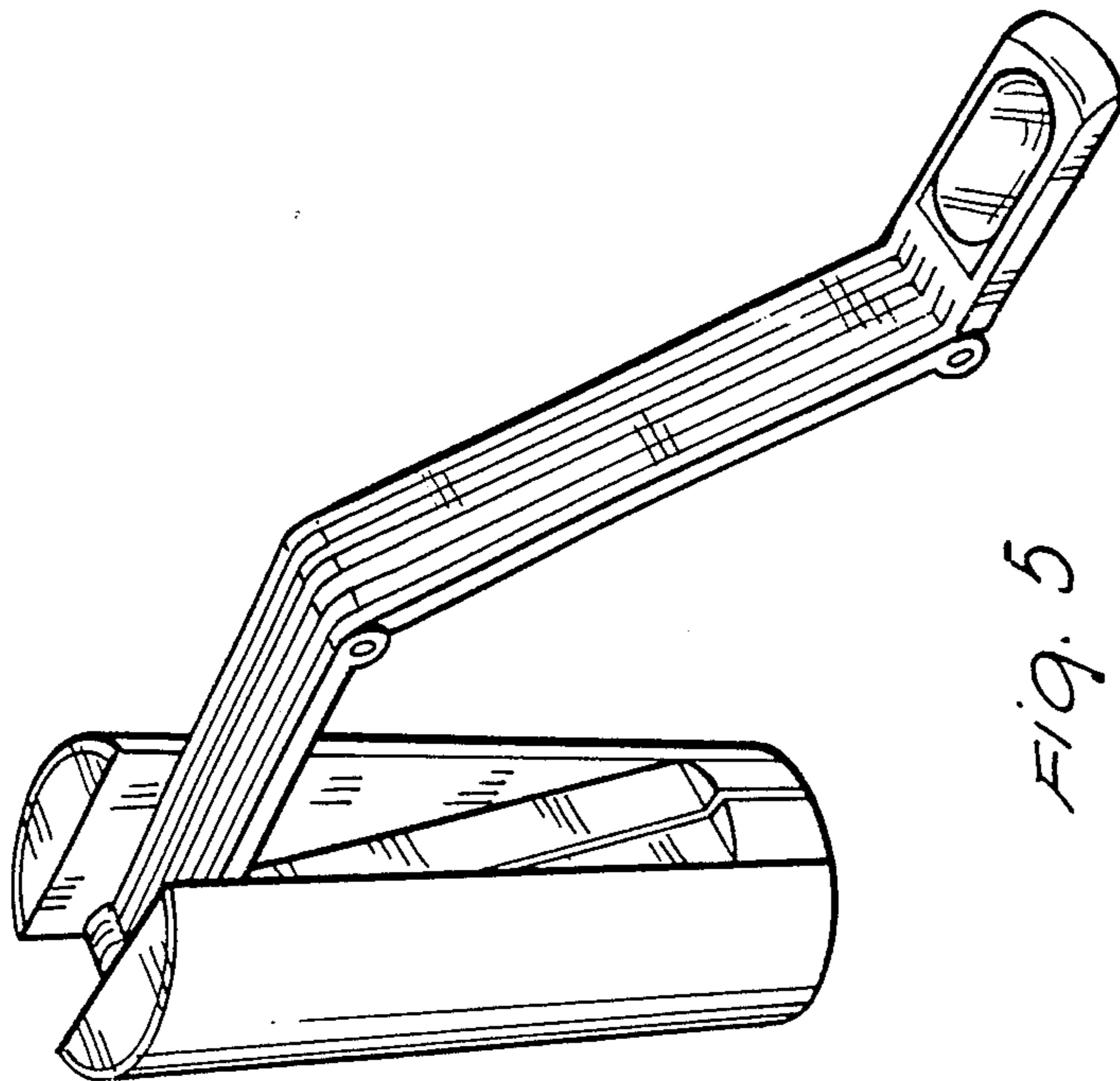


FIG. 5

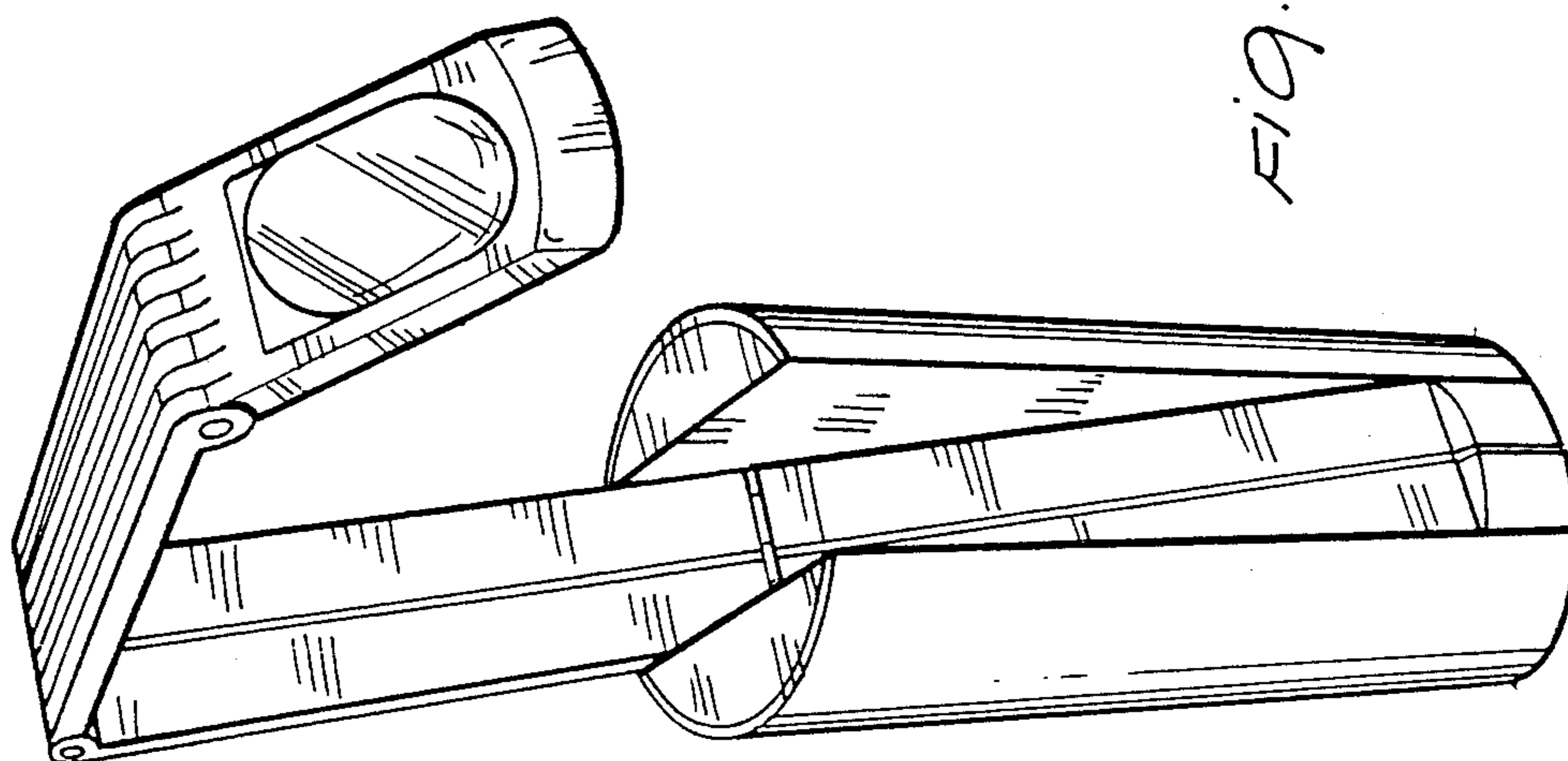


FIG. 4

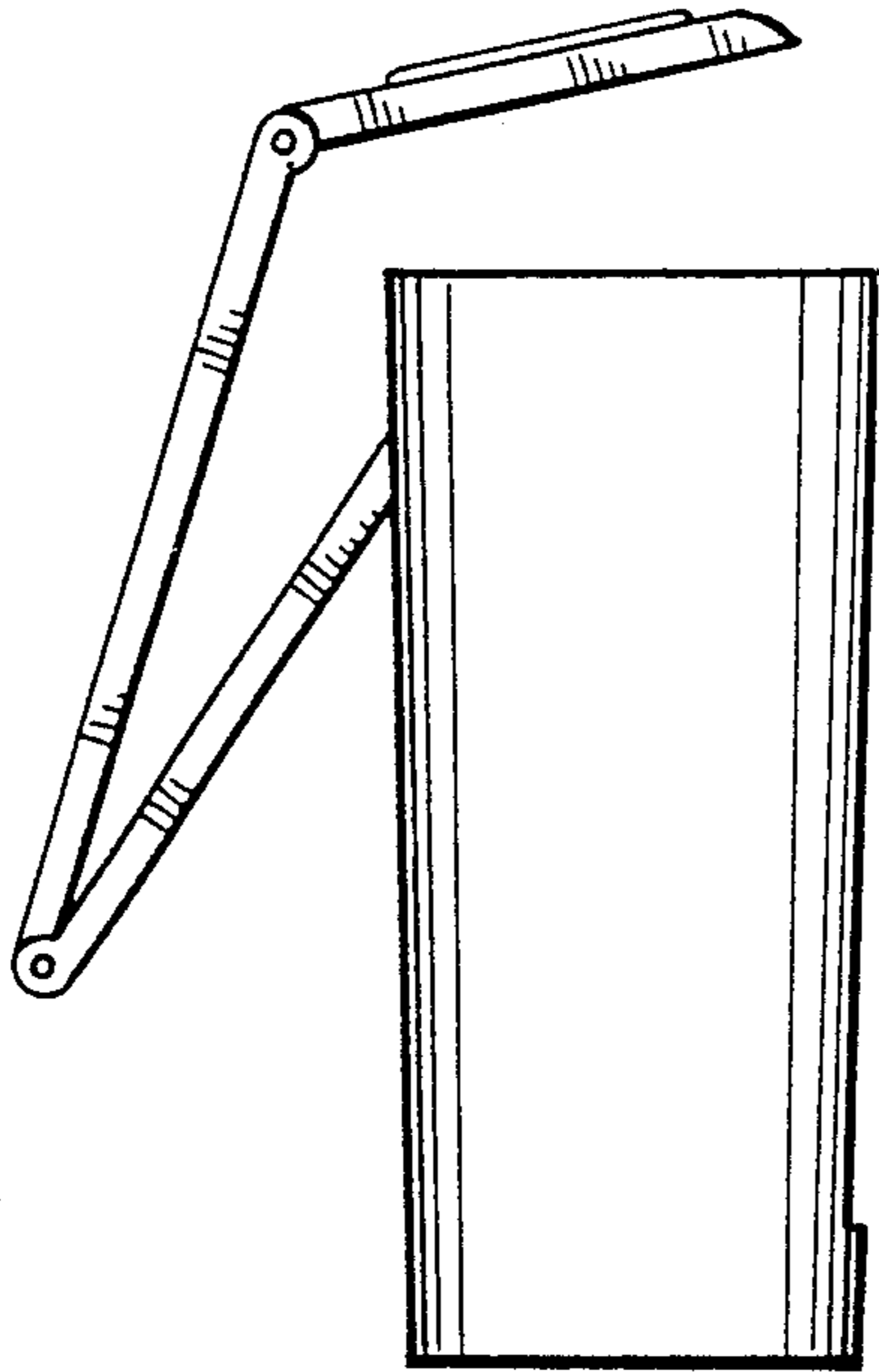


FIG. 6

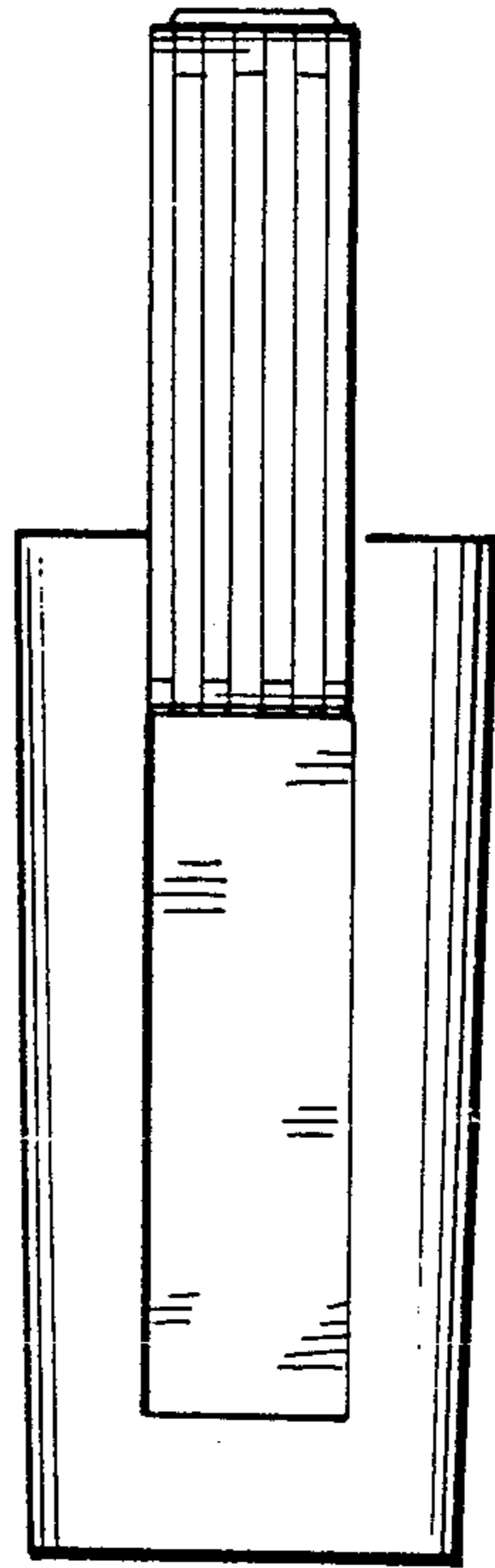


FIG. 7

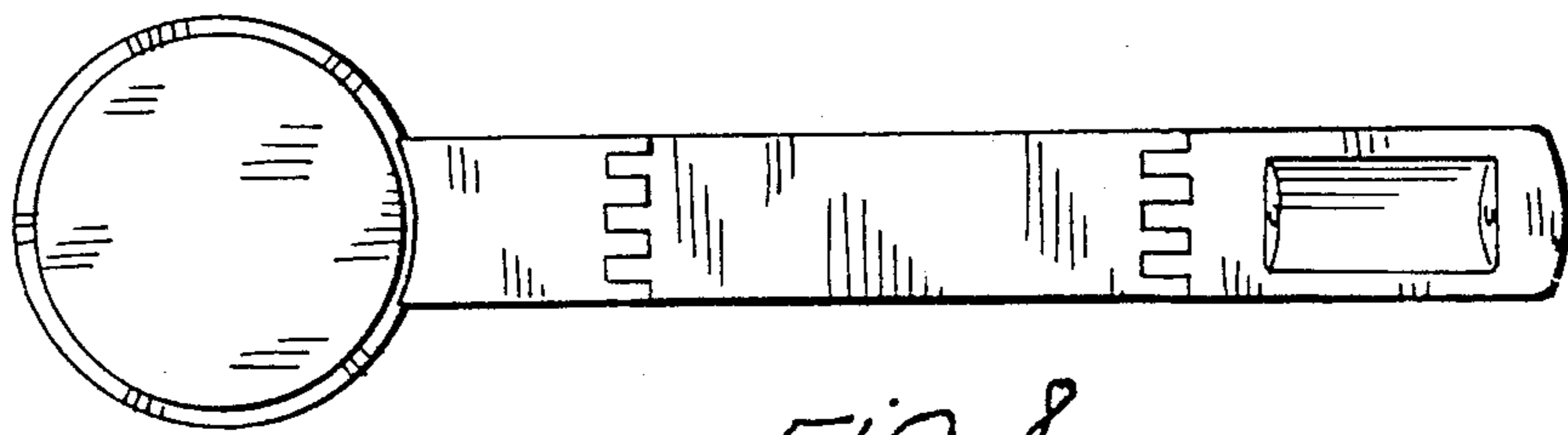


FIG. 8