

[54] **ELECTRIC LAMP**  
[75] **Inventor: Mel Evenson, San Pedro, Calif.**  
[73] **Assignee: Eldon Industries, Inc., Inglewood, Calif.**  
[\*\*] **Term: 14 Years**  
[21] **Appl. No.: 907,632**  
[22] **Filed: Sep. 15, 1986**  
[52] **U.S. Cl. .... D26/63**  
[58] **Field of Search .... D26/60-66, D26/72, 87; 362/269, 275, 287, 375, 362, 418, 427, 432, 33, 147**

D. 272,003 12/1983 Jankowski ..... D26/63  
D. 292,236 10/1987 Caldwell ..... D26/65  
2,851,587 9/1958 Stockman ..... D26/60 X  
2,950,892 8/1960 Rick ..... 362/432 X

*Primary Examiner*—Susan J. Lucas  
*Attorney, Agent, or Firm*—Edward D. O'Brian

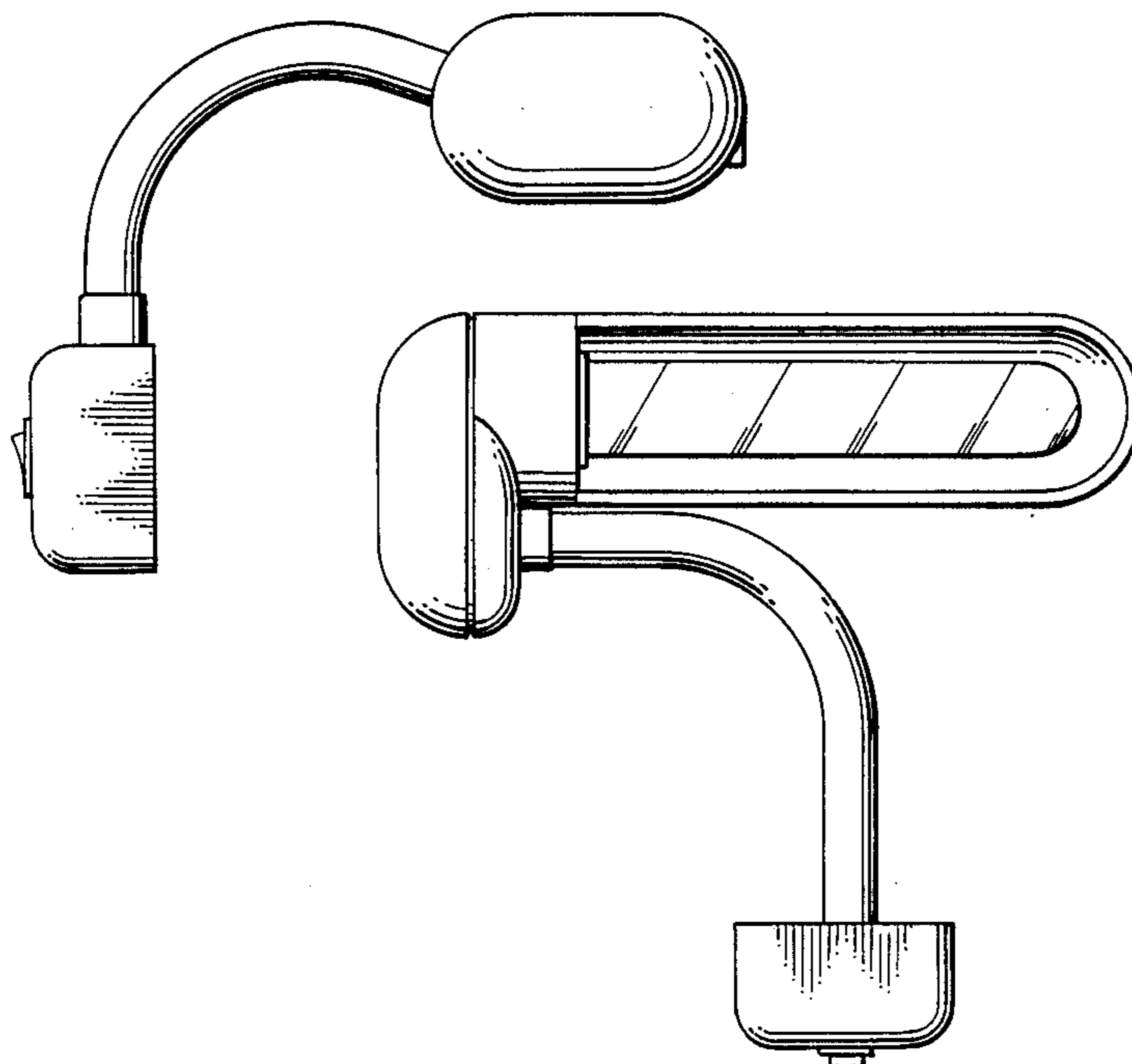
[57] **CLAIM**

The ornamental design for an electric lamp, as shown and described.

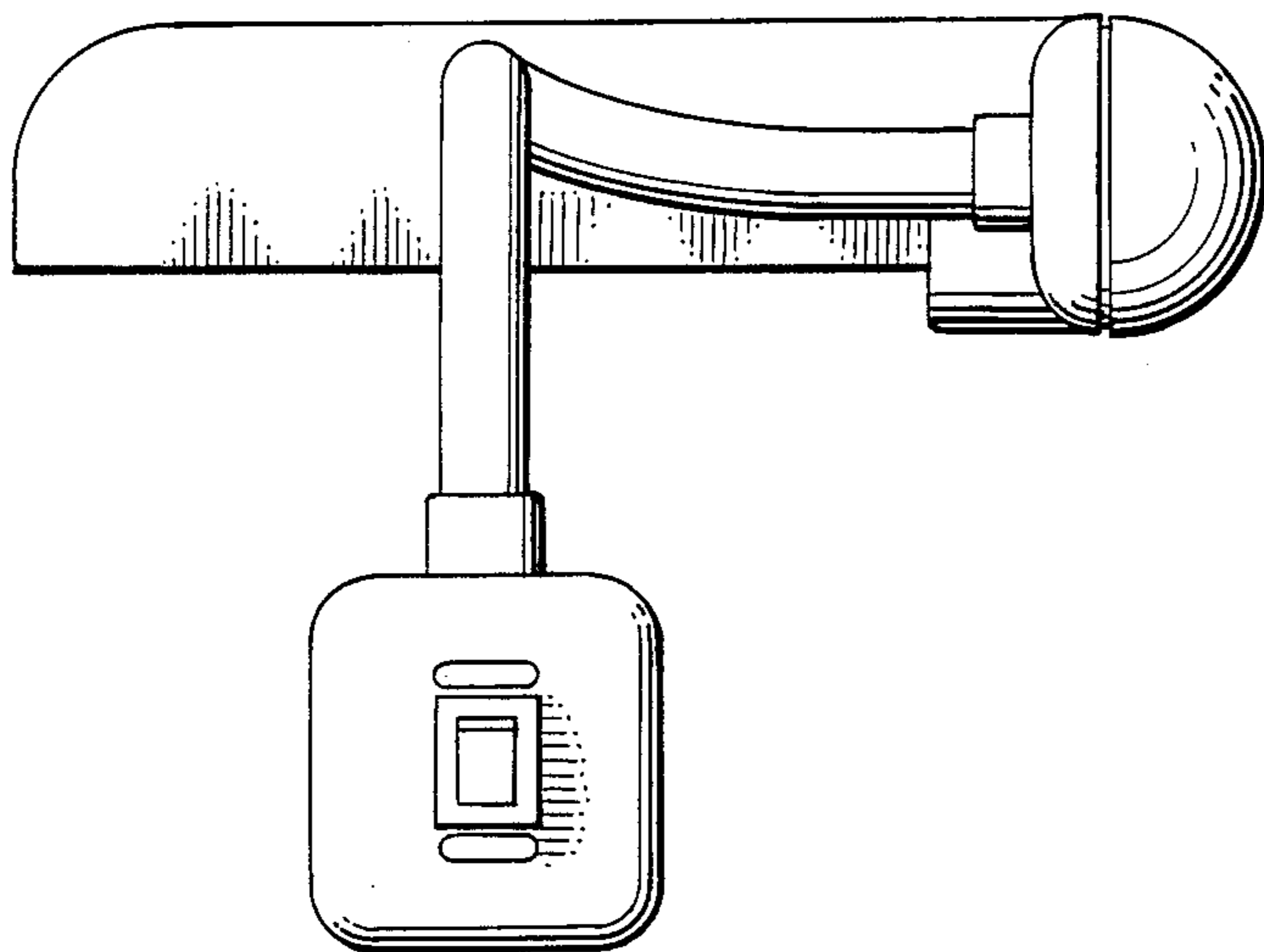
**DESCRIPTION**

FIG. 1 is a front elevational view of an electric lamp showing my new design;  
FIG. 2 is a left side elevational view thereof;  
FIG. 3 is a top plan view thereof;  
FIG. 4 is a rear elevational view thereof;  
FIG. 5 is a right side elevational view thereof; and  
FIG. 6 is a bottom plan view thereof.

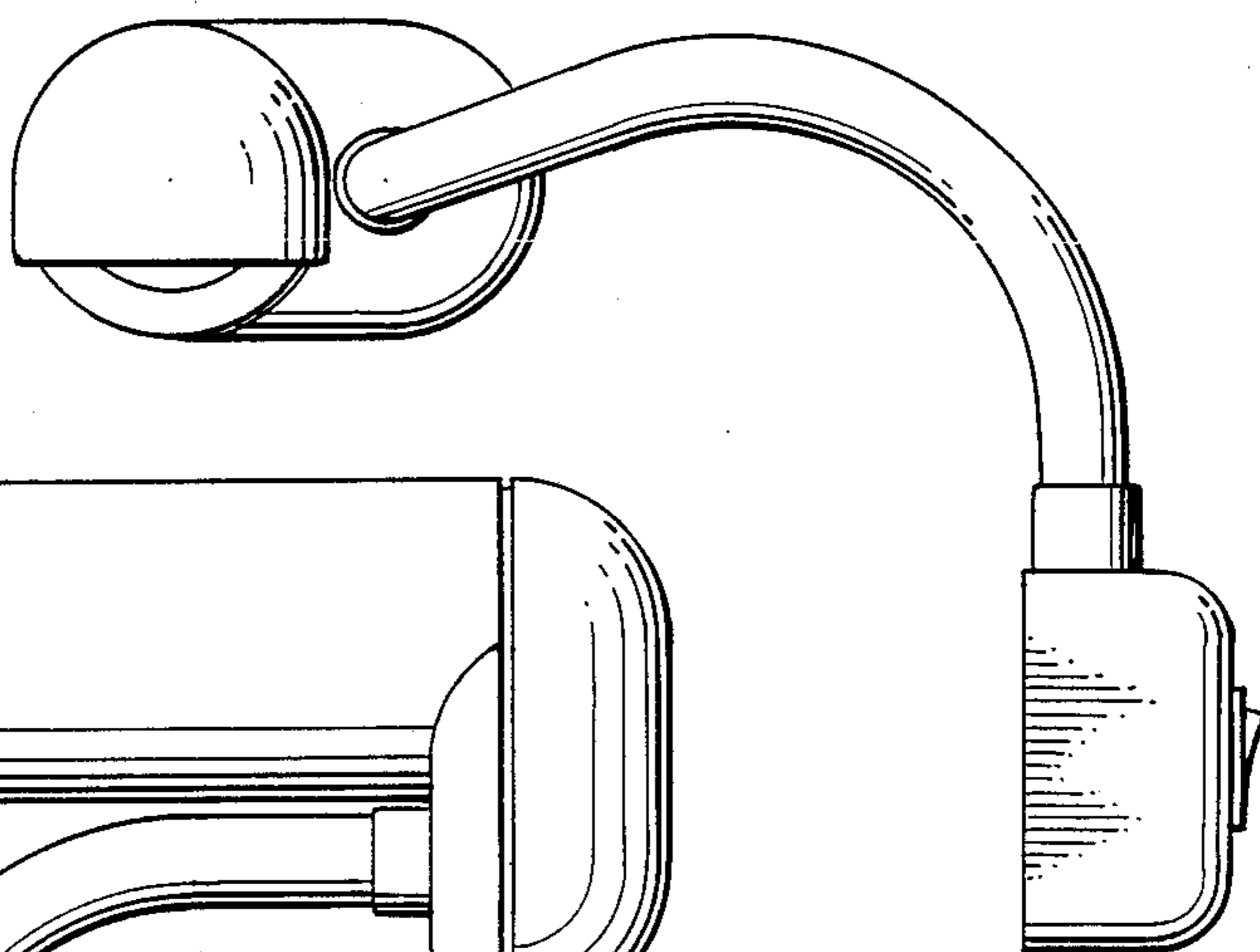
[56] **References Cited**  
**U.S. PATENT DOCUMENTS**  
D. 147,900 11/1947 Fanelli ..... D26/60



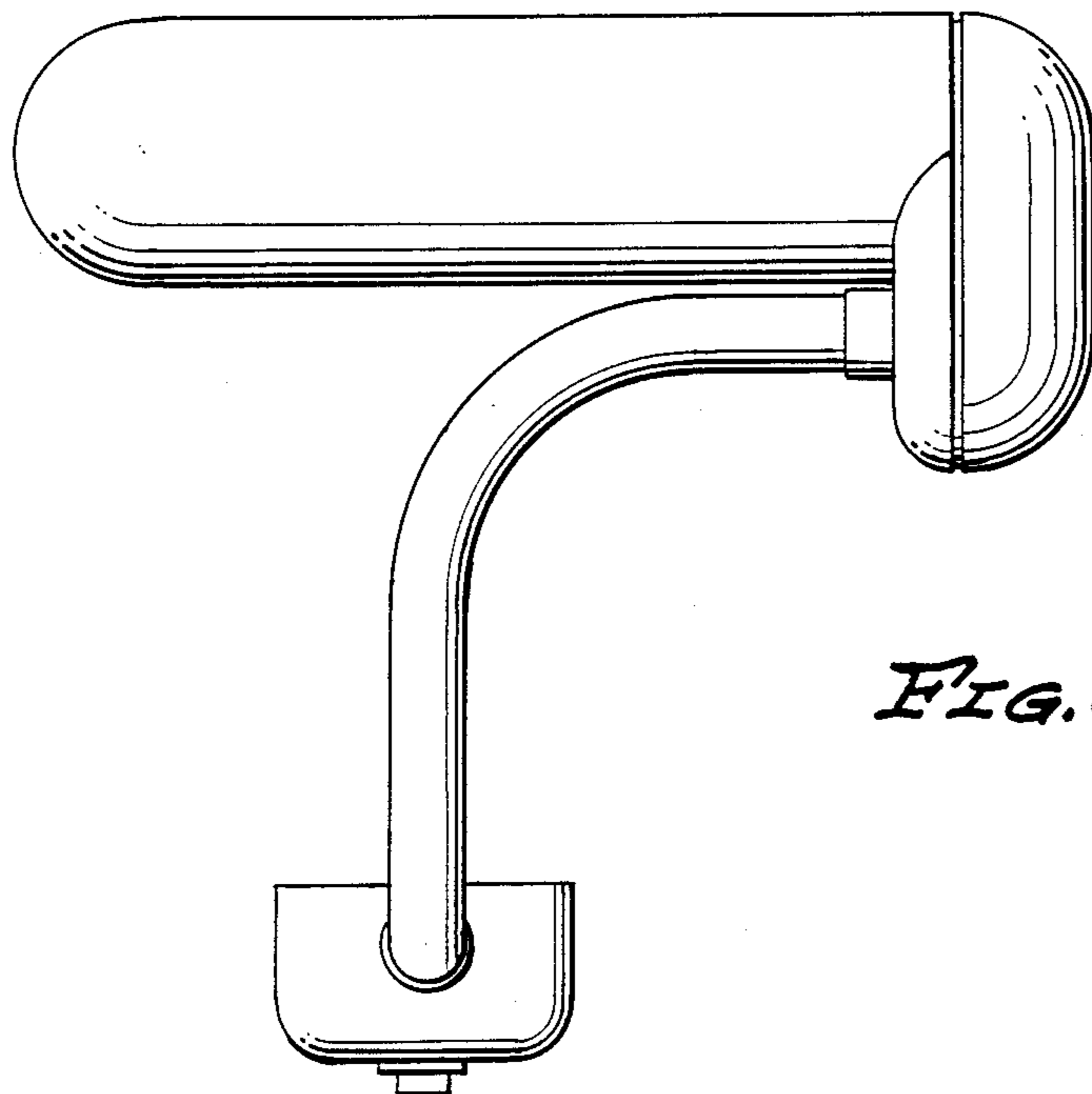
*FIG. 1.*



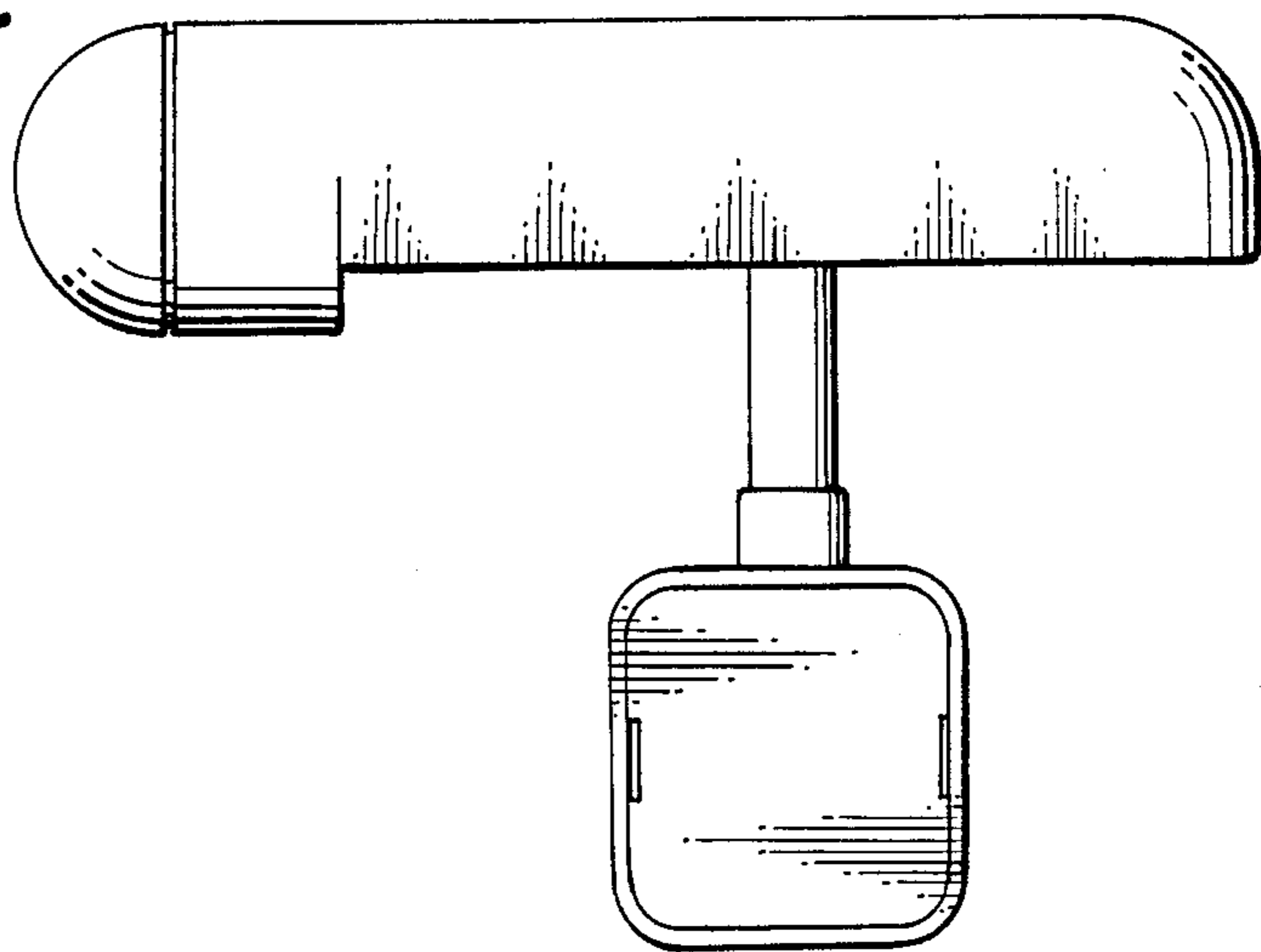
*FIG. 2.*



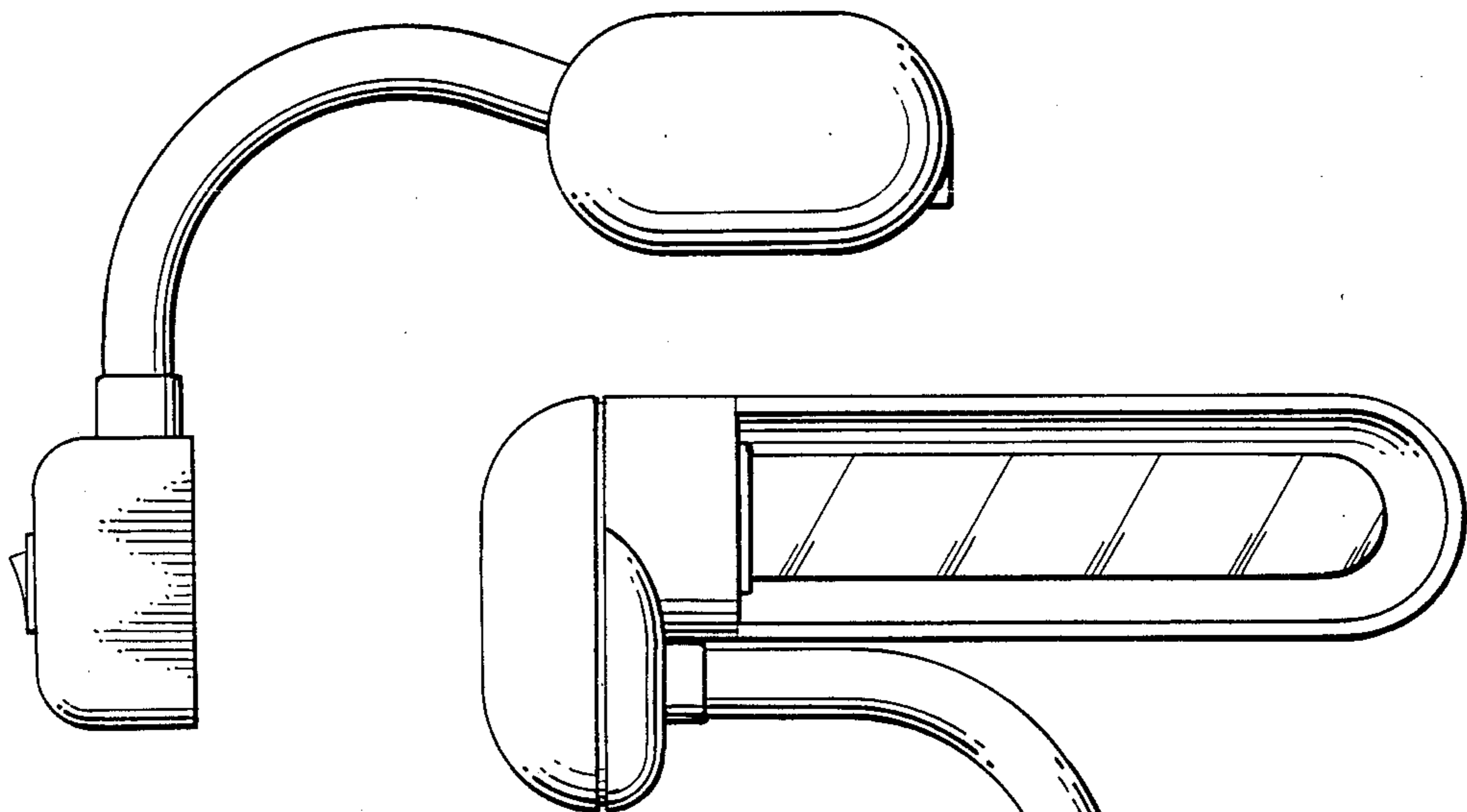
*FIG. 3.*



*FIG. 4.*



*FIG. 5.*



*FIG. 6.*

