

[54] **FLASHLIGHT**

4,307,439 12/1981 Sassmannshausen 362/186

[76] **Inventor: David H. Parker, 2255 Jefferson St.,
Torrance, Calif. 90501**

Primary Examiner—Susan J. Lucas
Attorney, Agent, or Firm—Matthew P. Lynch

[**] **Term: 14 Years**

[57] **CLAIM**

[21] **Appl. No.: 11,278**

The ornamental design for a flashlight, as shown and described.

[22] **Filed: Feb. 2, 1987**

[52] **U.S. Cl. D26/46**

[58] **Field of Search D26/37-50;
362/157, 158, 183-206**

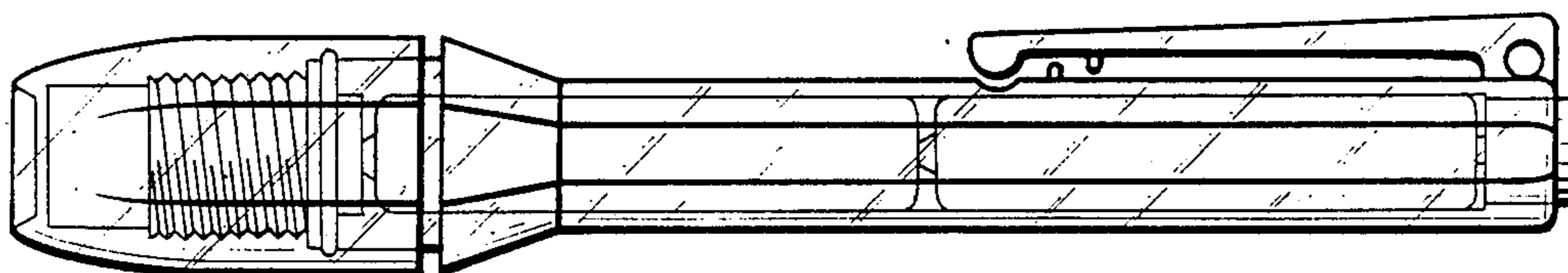
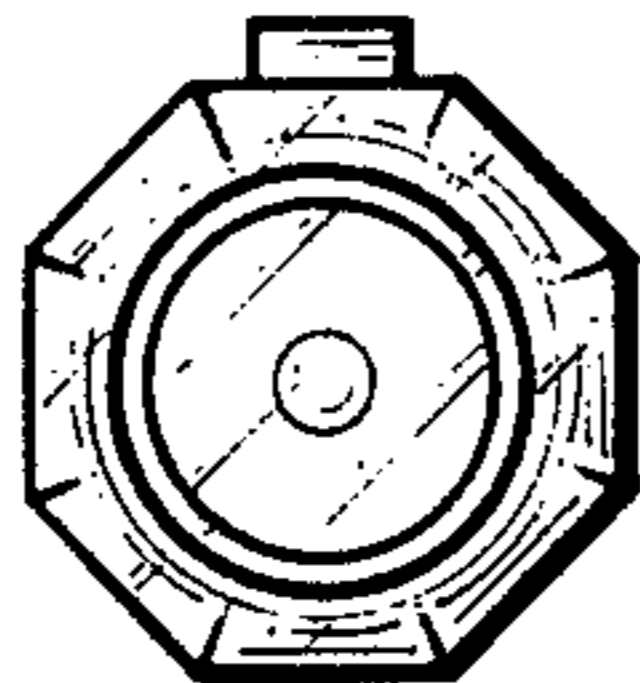
DESCRIPTION

[56] **References Cited**

U.S. PATENT DOCUMENTS

D. 197,757 3/1964 Nagamori D26/38 X
4,303,970 12/1981 Robertson 362/203

FIG. 1 is a frontal view of the flashlight embodying my design;
FIG. 2 is a left side view thereof;
FIG. 3 is a rear view thereof;
FIG. 4 is a right side view thereof;
FIG. 5 is a top view thereof; and,
FIG. 6 is a bottom view thereof.



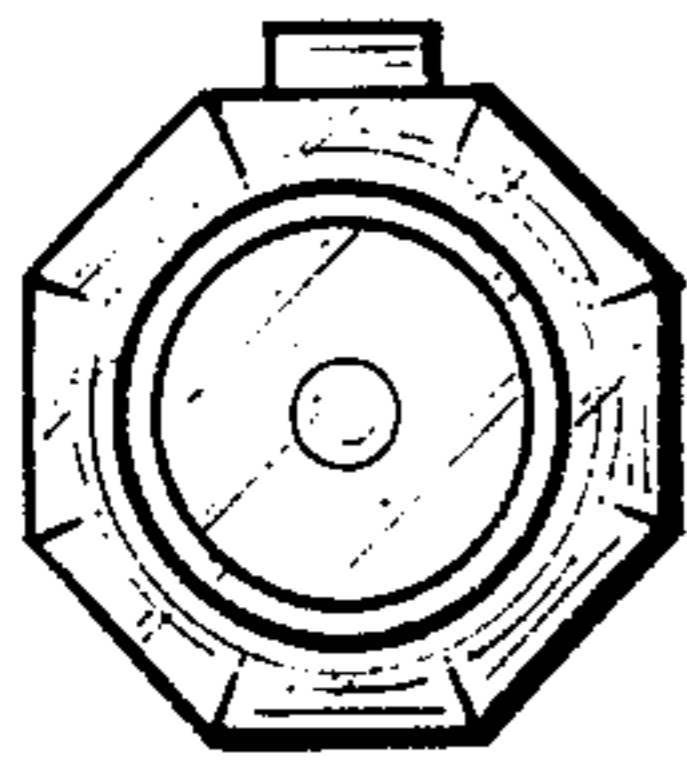


Fig. 1.

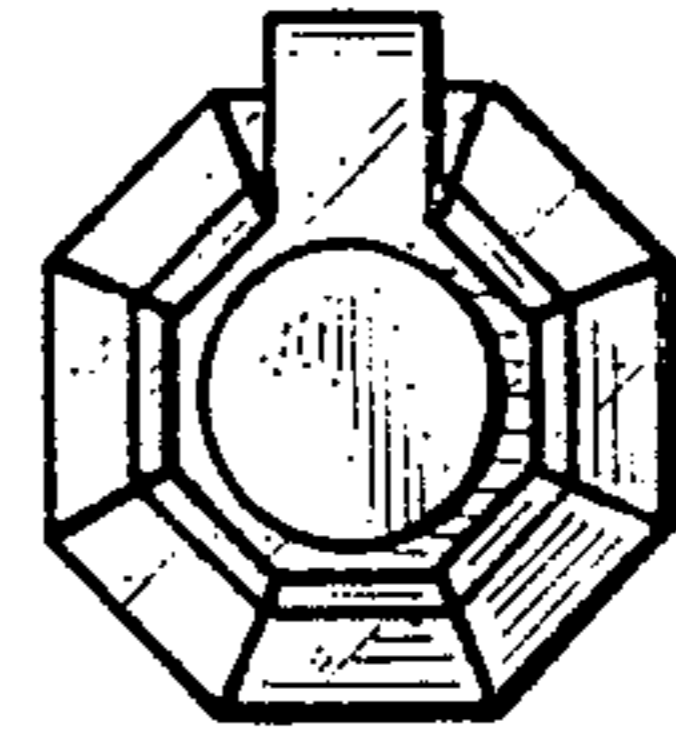


Fig. 3.

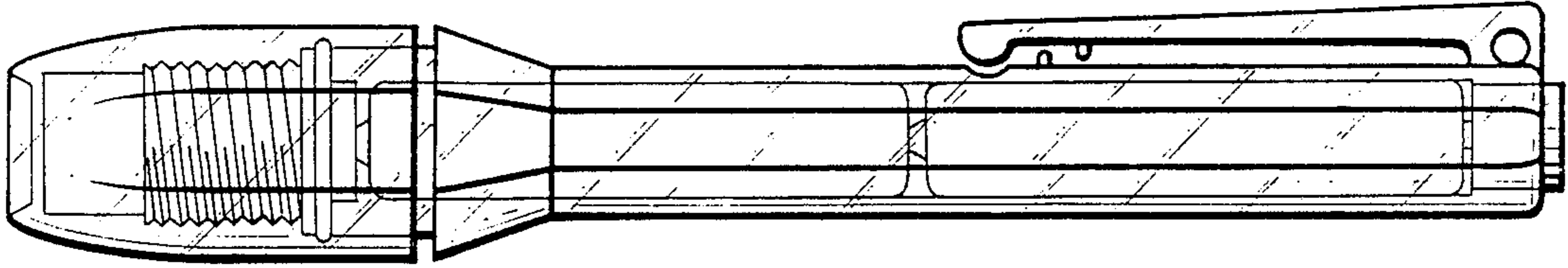


Fig. 2.

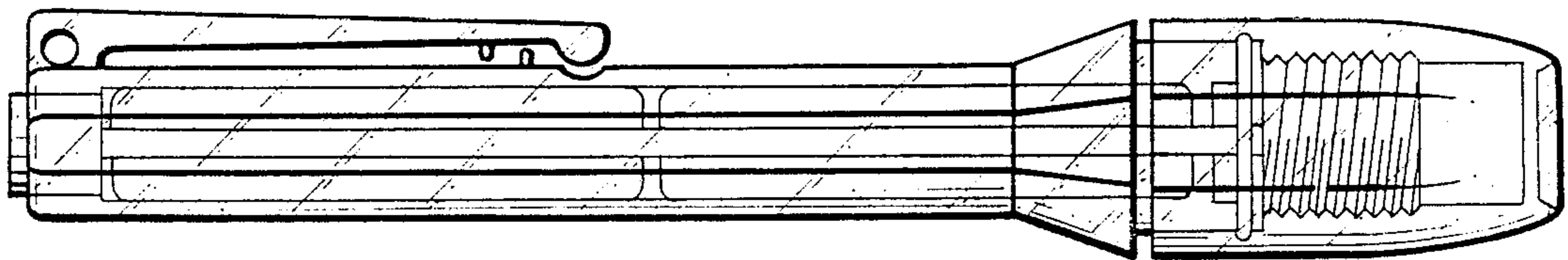


Fig. 4.

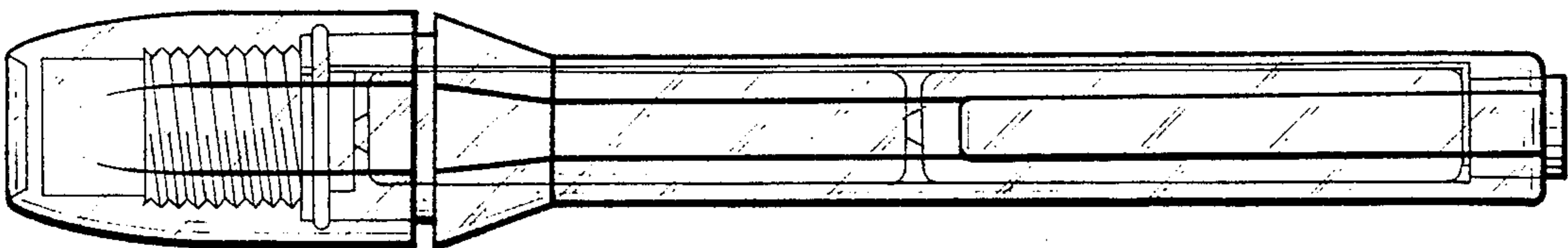


Fig. 5.

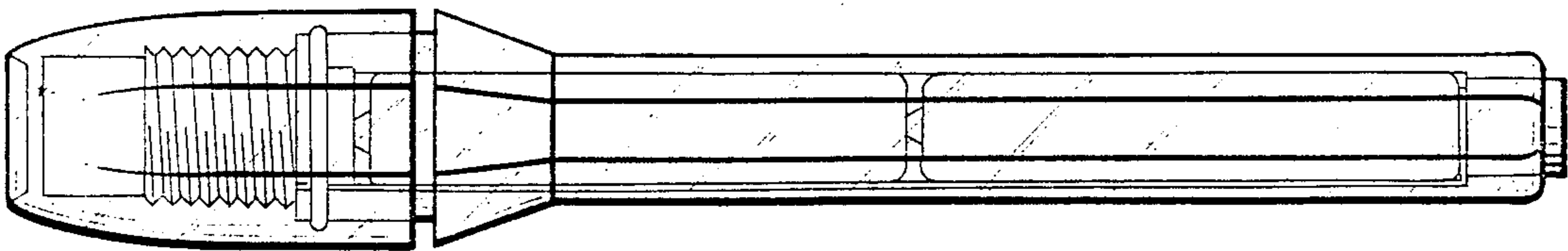


Fig. 6.