

[54] URINE LEG BAG

[76] Inventors: Charles D. Cawood, 11527 N. Lou Al Ct., Houston, Tex. 77024; Gene L. Mrava, 4202 Poplar Grove Ter., Midlothian, Va. 23113

[**] Term: 14 Years

[21] Appl. No.: 39,901

[22] Filed: Apr. 17, 1987

[52] U.S. Cl. D24/54; D24/51; D24/58

[58] Field of Search D24/54, 51, 58, 56; 604/317, 327, 350, 353; 222/553, 564, 48

[56] References Cited

U.S. PATENT DOCUMENTS

- D. 273,709 5/1984 Schneider D24/58 X
- D. 289,551 4/1987 Steer D24/54

- D. 289,797 5/1987 Steer D24/54
- 4,421,509 12/1983 Schneider et al. 604/317
- 4,462,510 7/1984 Steer et al. 222/48
- 4,511,358 4/1985 Johnson, Jr. et al. 604/327

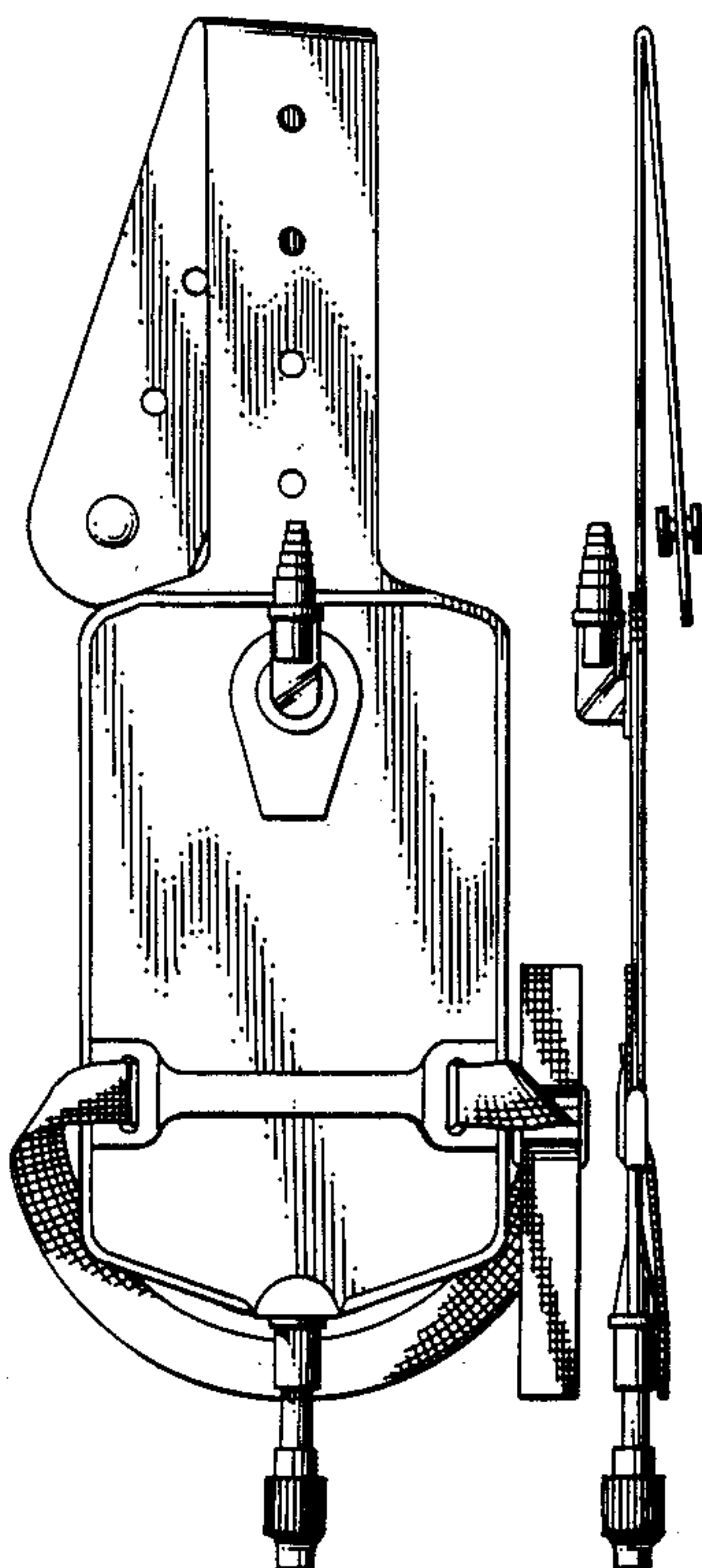
Primary Examiner—Wallace R. Burke
Assistant Examiner—Stella M. Reid
Attorney, Agent, or Firm—Charles W. Rummler

[57] CLAIM

The ornamental design for a urine leg bag, as shown and described.

DESCRIPTION

FIG. 1 is a front elevational view of a urine leg bag, showing our new design;
FIG. 2 is a rear elevational view thereof;
FIG. 3 is a side elevational view thereof, the opposite side being identical;
FIG. 4 is a top plan view thereof; and
FIG. 5 is a bottom plan view thereof.



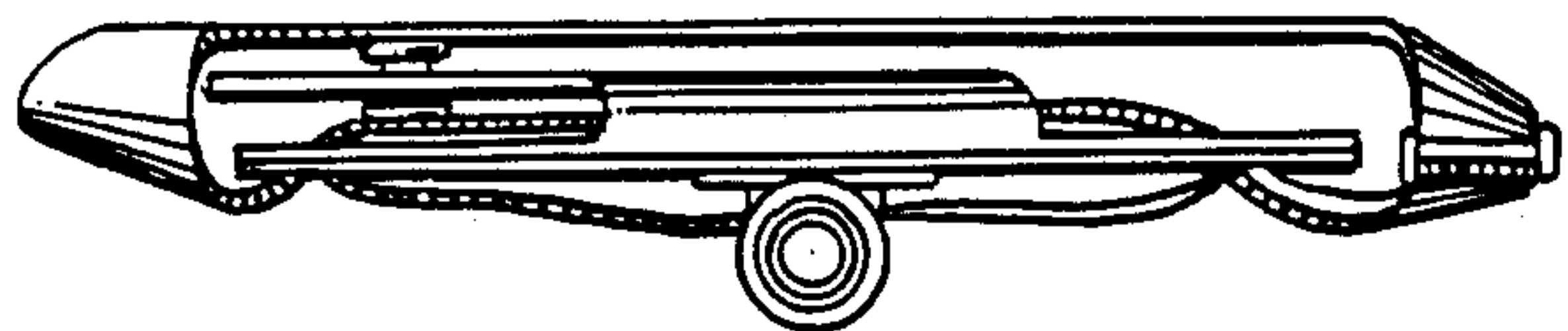


FIG. 4

FIG. 1

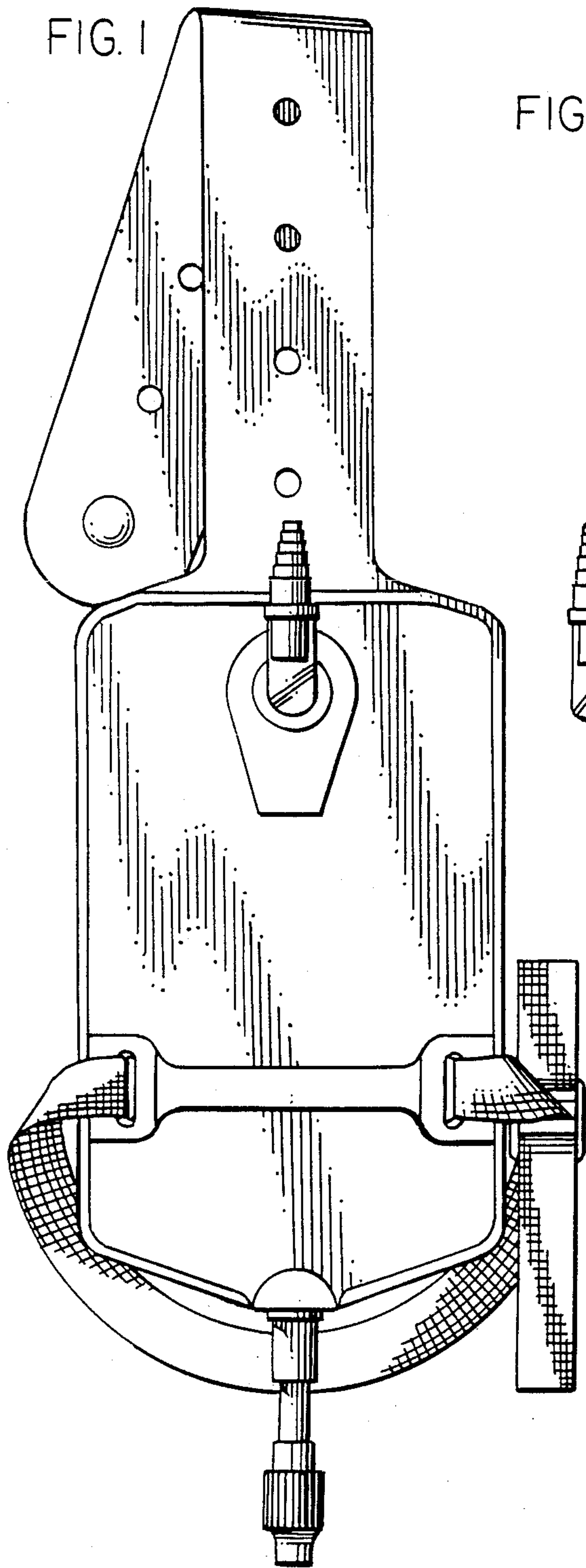


FIG. 3

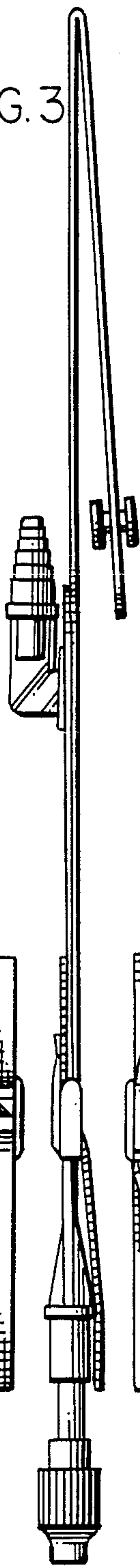


FIG. 2

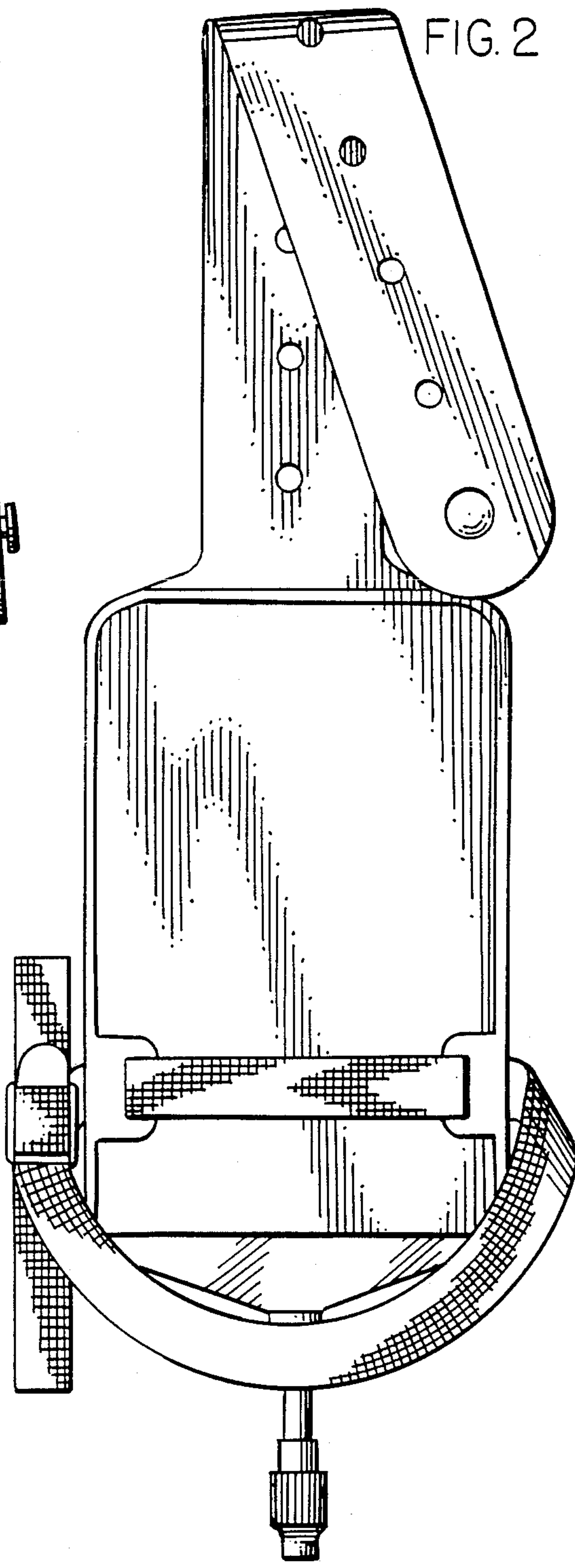


FIG. 5

