

[54] PACIFIER

[75] Inventors: William E. Fitzpatrick, Wyckoff; Emanuel P. Morano, Totowa; William J. Craven, Ridgewood, all of N.J.

[73] Assignee: Playtex Family Products, Inc., Stamford, Conn.

[**] Term: 14 Years

[21] Appl. No.: 75,924

[22] Filed: Jul. 20, 1987

[52] U.S. Cl. D24/46

[58] Field of Search D24/46, 45; 128/359, 128/360; 215/11 R

[56] References Cited

U.S. PATENT DOCUMENTS

- D. 255,268 6/1980 Bernstein D24/45 X
- D. 267,116 11/1982 Bubelis D24/46
- D. 273,991 5/1984 Moore D24/45 X
- 4,195,638 4/1980 Duckstein 128/360
- 4,554,919 11/1985 Hubert D24/45 X

OTHER PUBLICATIONS

Regular nipple sold under the registered trademark Playtex, ©1979, 1983.
Orthodontic nipple sold under the registered trademark Playtex, ©1979, 1983.

Binky Hush Master pacifier, purchased 10/17/84.

Binky Orth-Flex pacifier, purchased 3/13/85.

Gerber pacifier, ©1983.

Gerber Ortho pacifier, ©1983.

Nuk pacifier (handle with grippers).

Nuk pacifier (oval handle).

Primary Examiner—Wallace R. Burke

Assistant Examiner—Stella M. Reid

Attorney, Agent, or Firm—Stewart J. Fried

[57] CLAIM

The ornamental design for a pacifier, as shown and described.

DESCRIPTION

FIG. 1 is a front perspective view of a pacifier, showing our new design;

FIG. 2 is a rear perspective view thereof;

FIG. 3 is a front elevational view thereof;

FIG. 4 is a side elevational view thereof;

FIG. 5 is a bottom plan view thereof;

FIG. 6 is a rear elevational view thereof;

FIG. 7 is a top plan view thereof;

FIG. 8 is a front perspective view of a second embodiment of FIG. 1;

FIG. 9 is a rear perspective thereof;

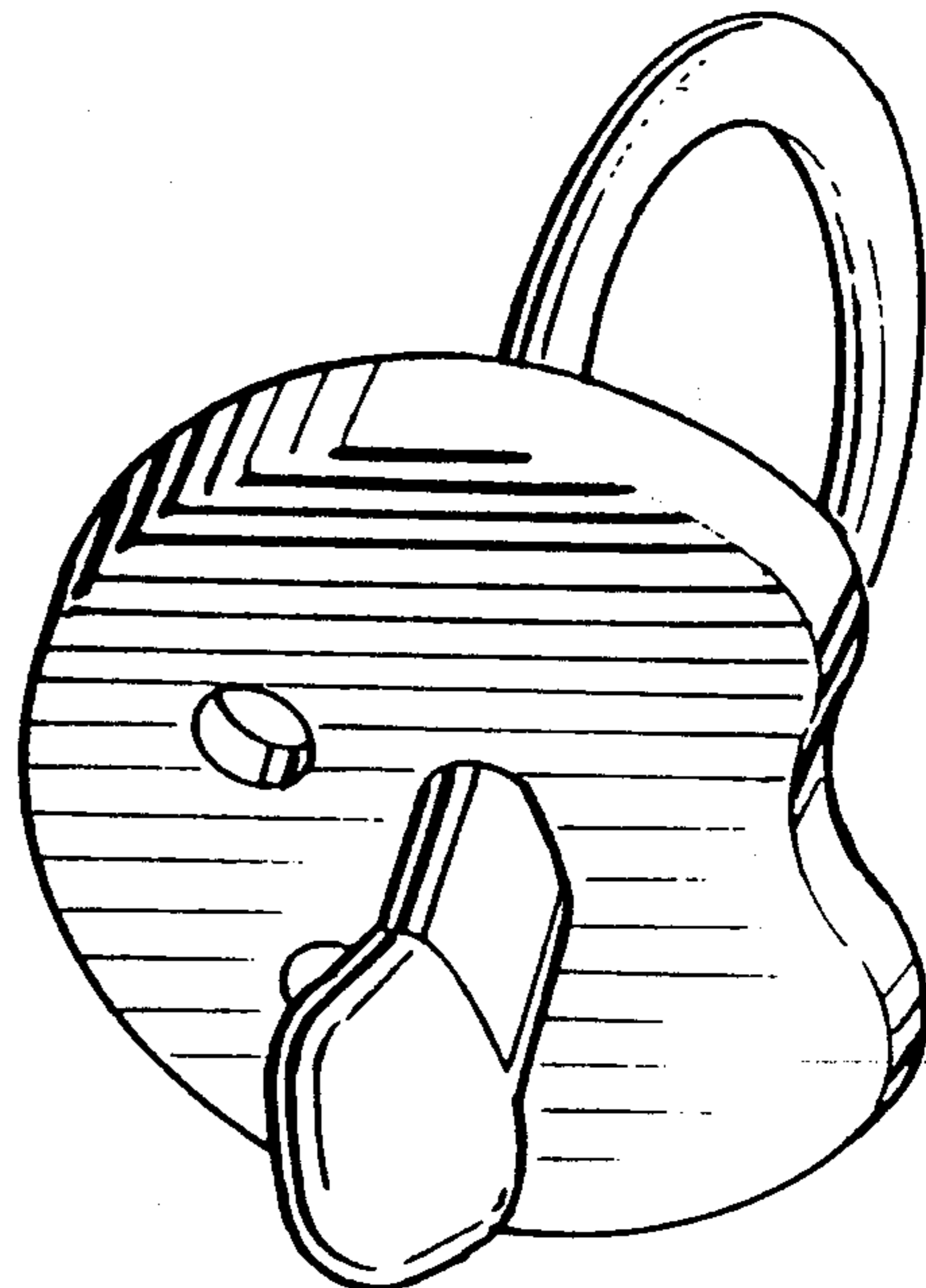
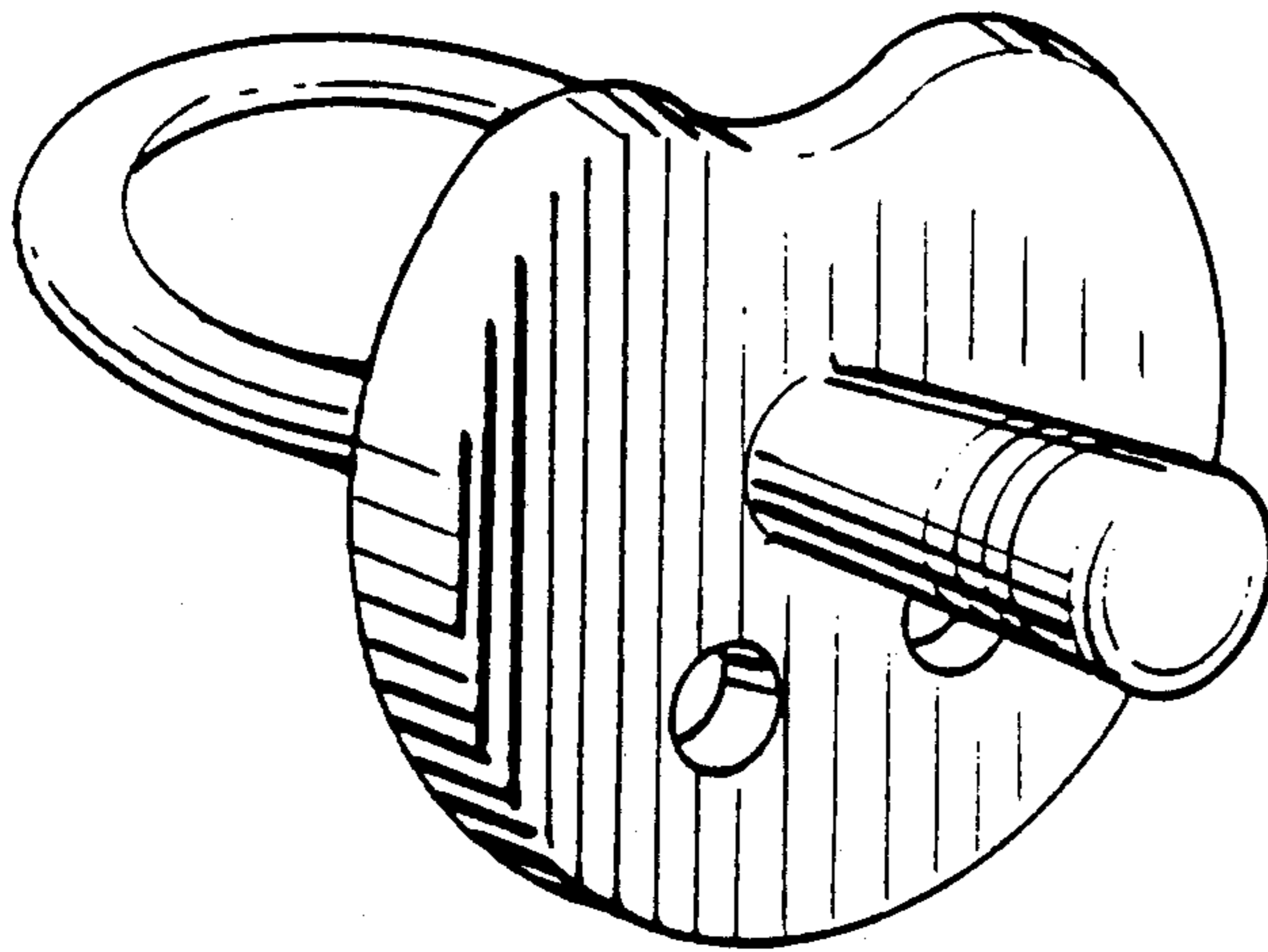
FIG. 10 is a front elevational view thereof;

FIG. 11 is a side elevational view thereof;

FIG. 12 is a bottom plan view thereof;

FIG. 13 is a rear elevational view thereof; and

FIG. 14 is a top plan view thereof.



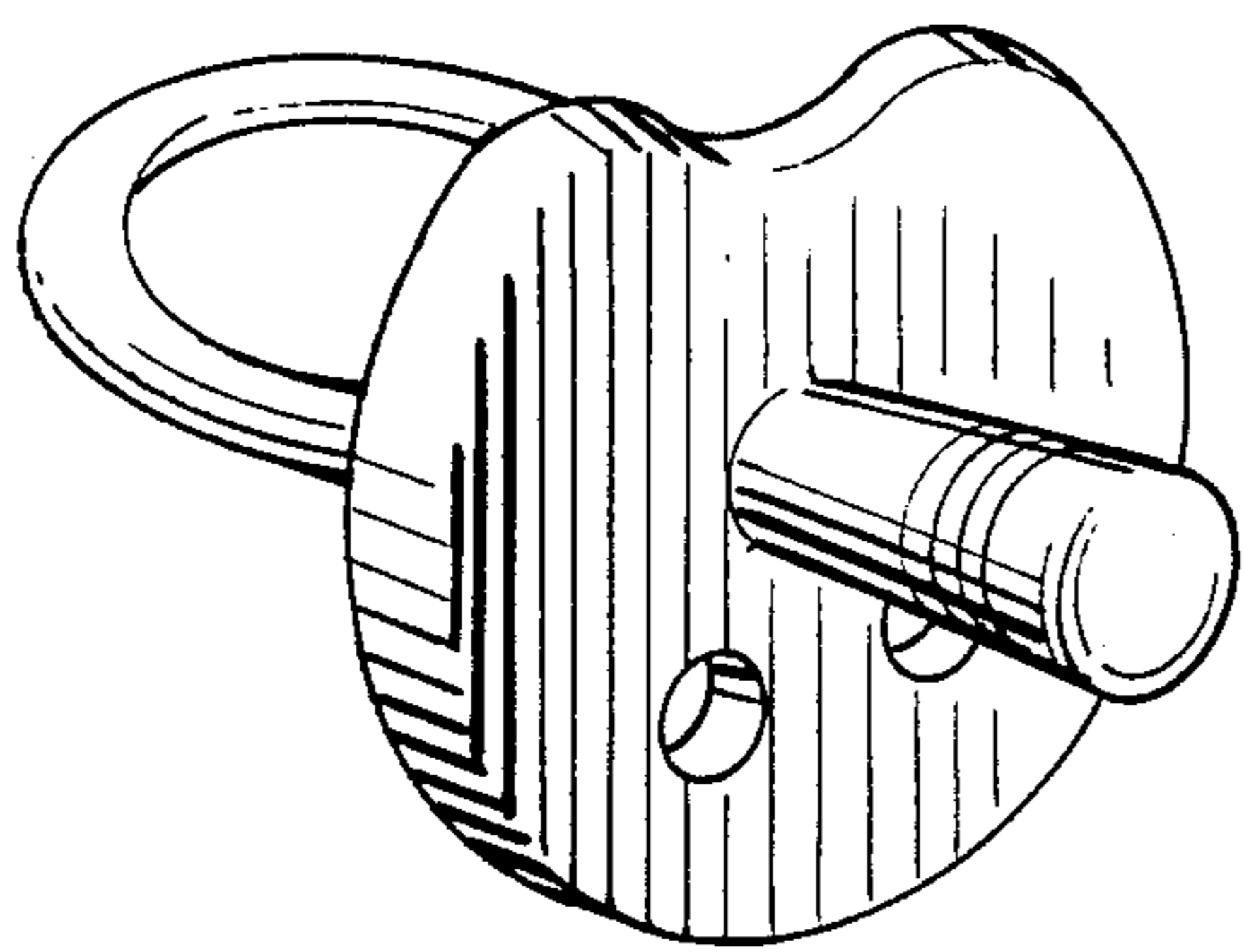


Fig. 1.

Fig. 3.

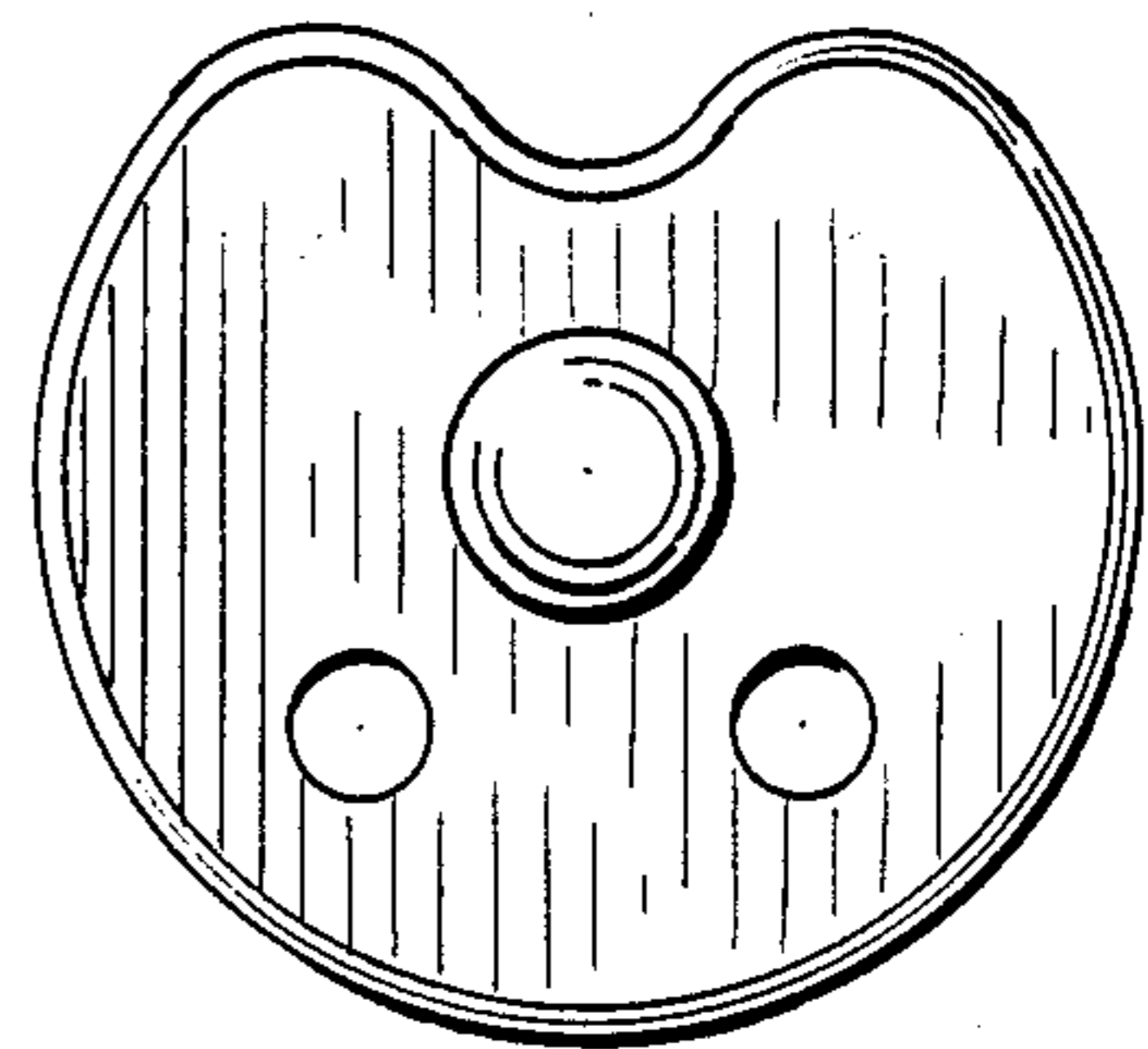


Fig. 5.

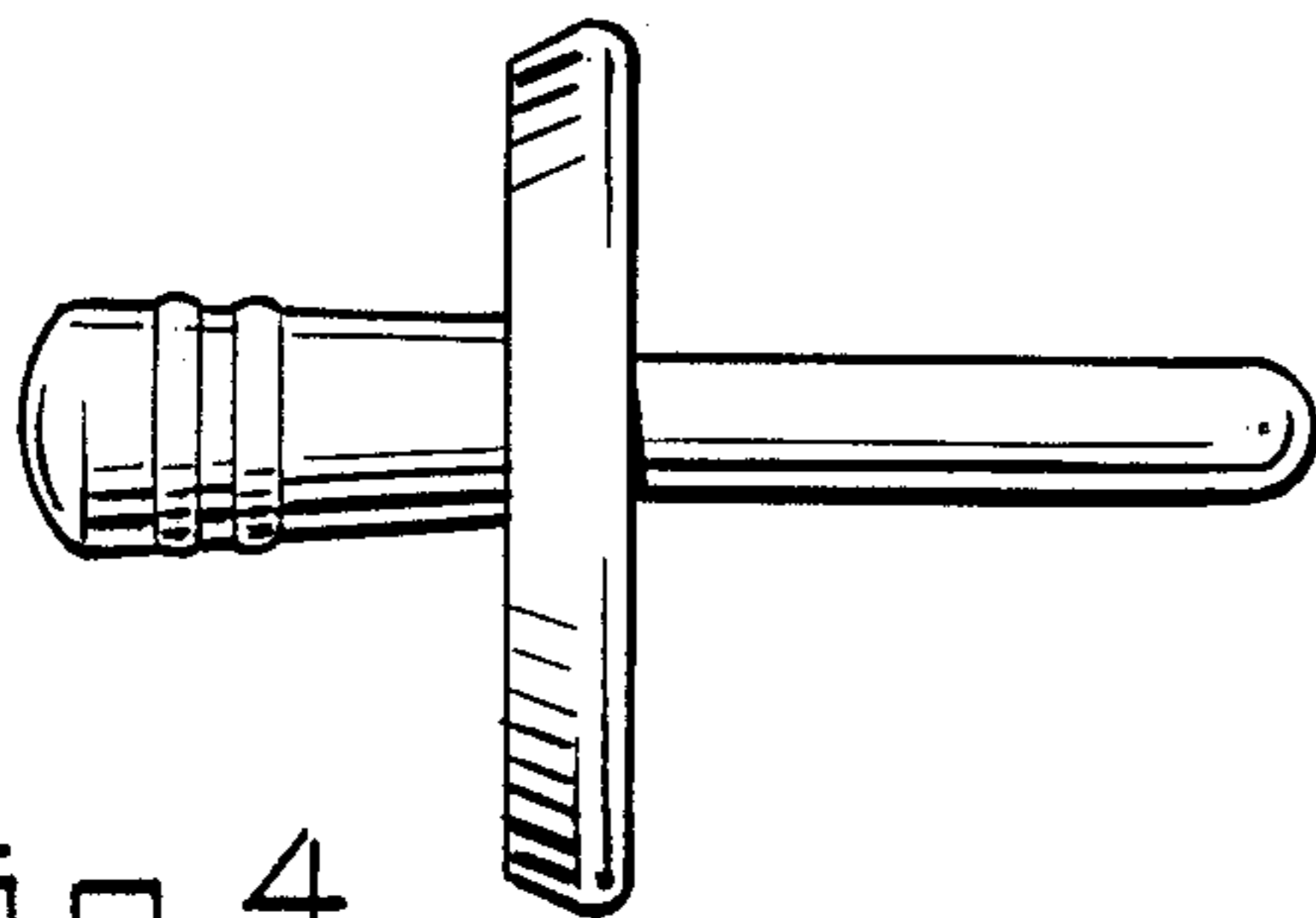
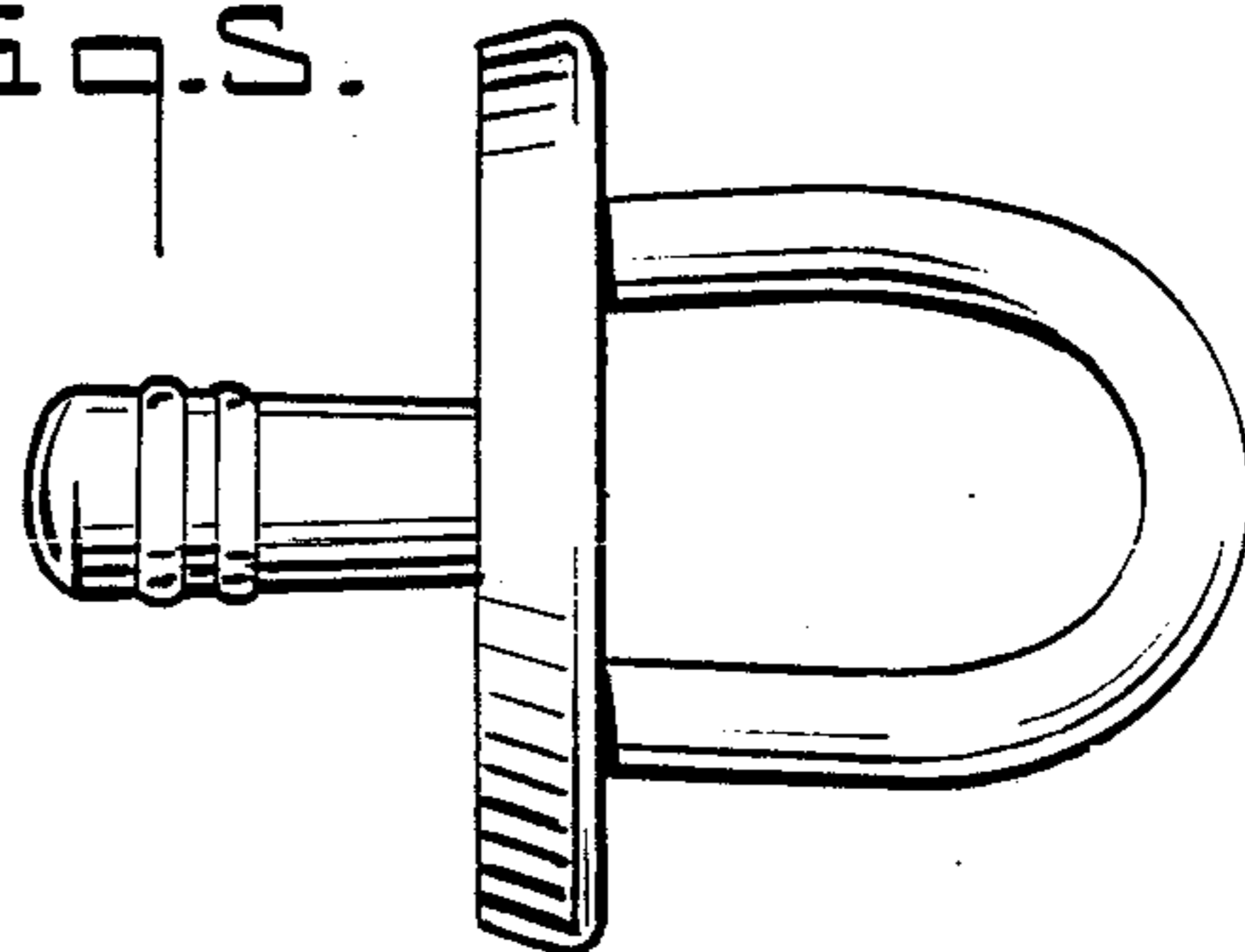


Fig. 4.

Fig. 2.

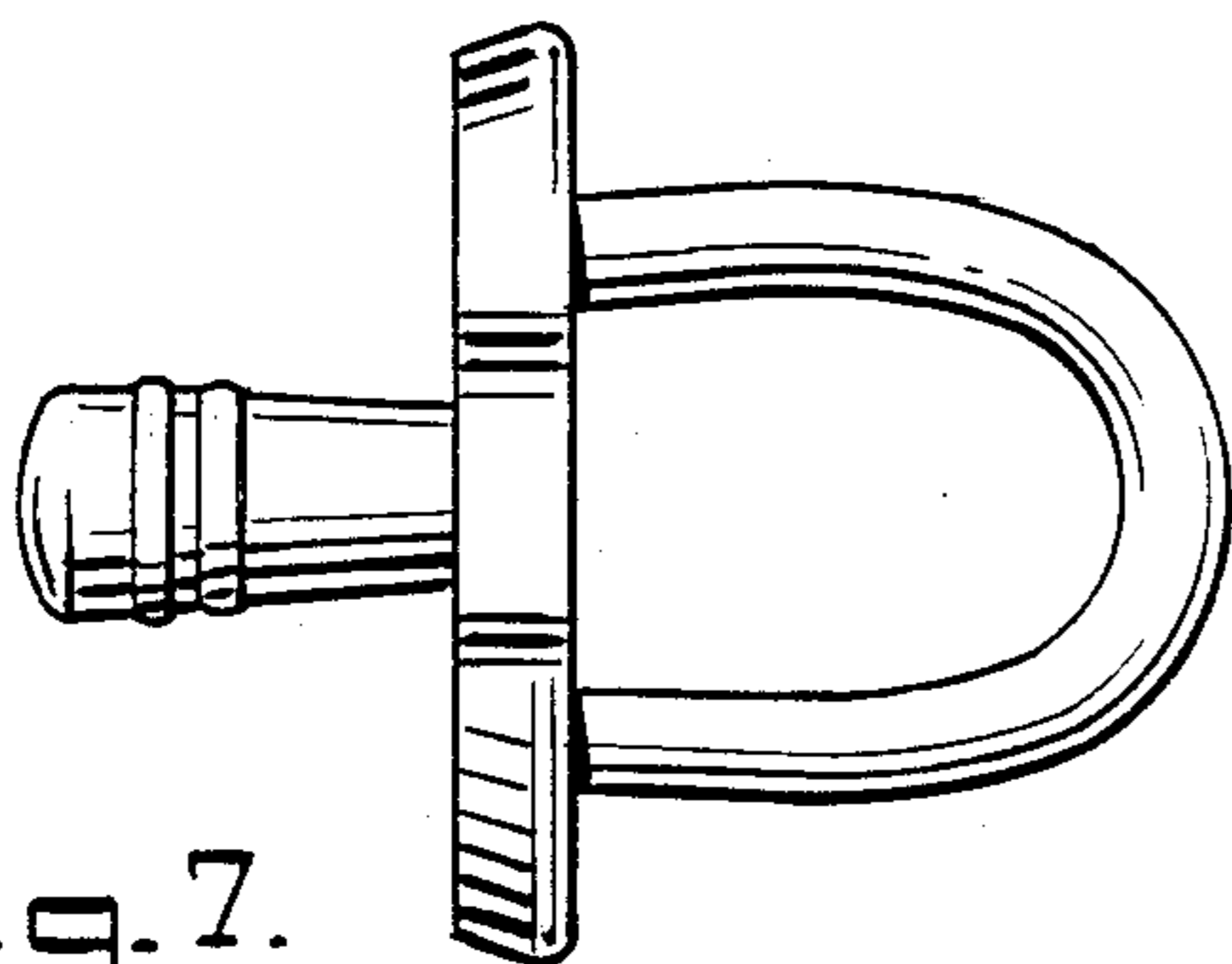
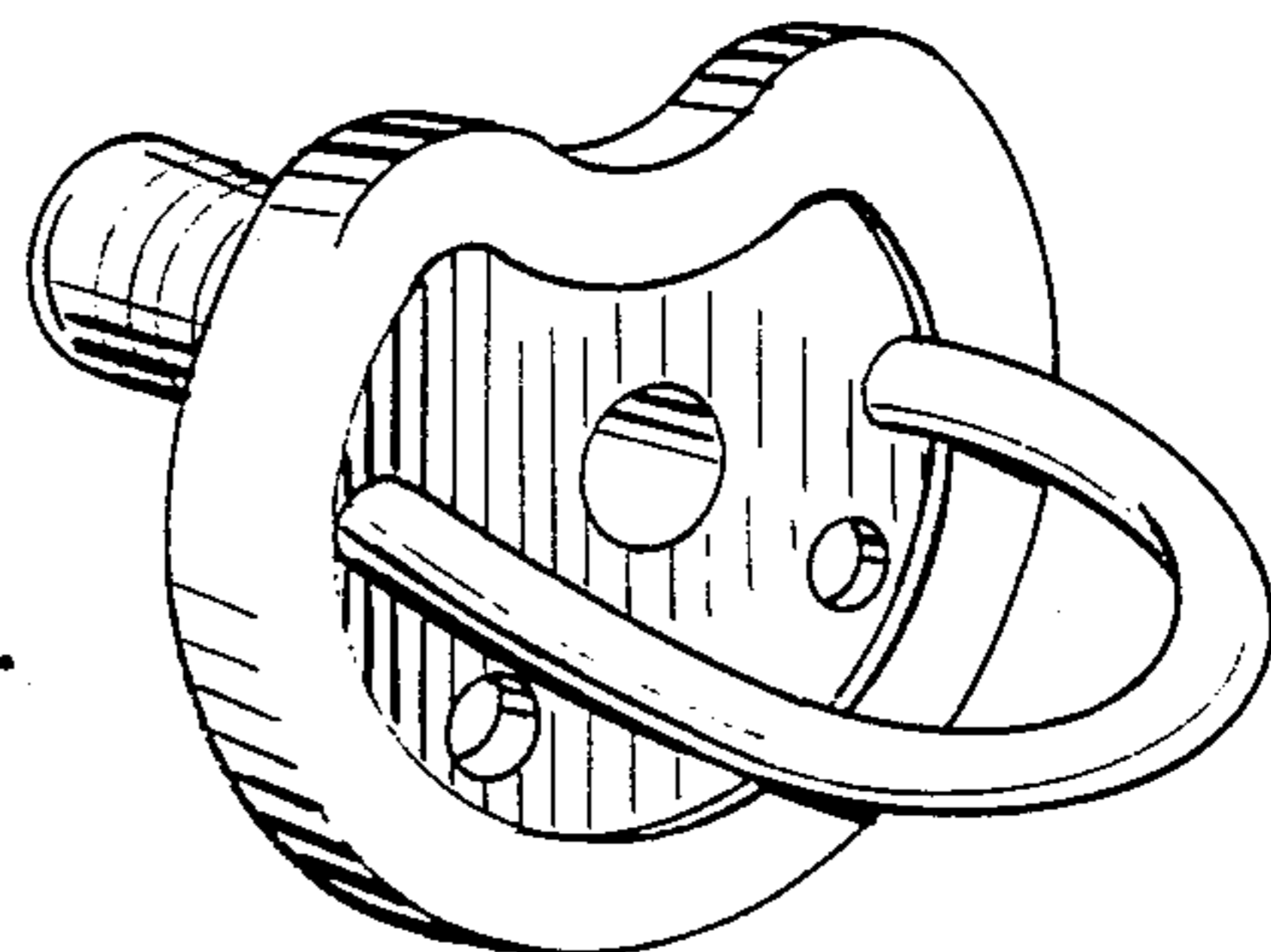
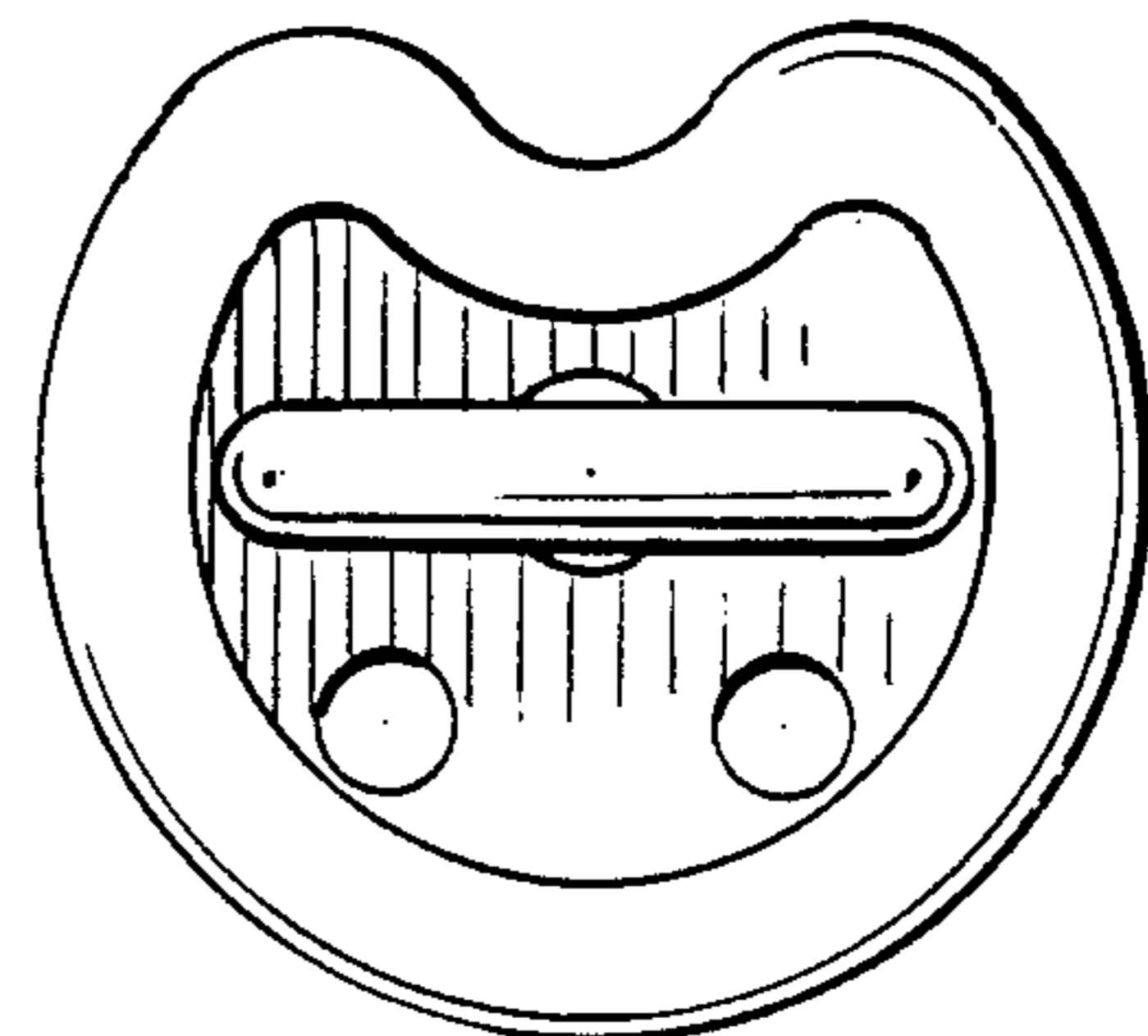


Fig. 7.

Fig. 6.



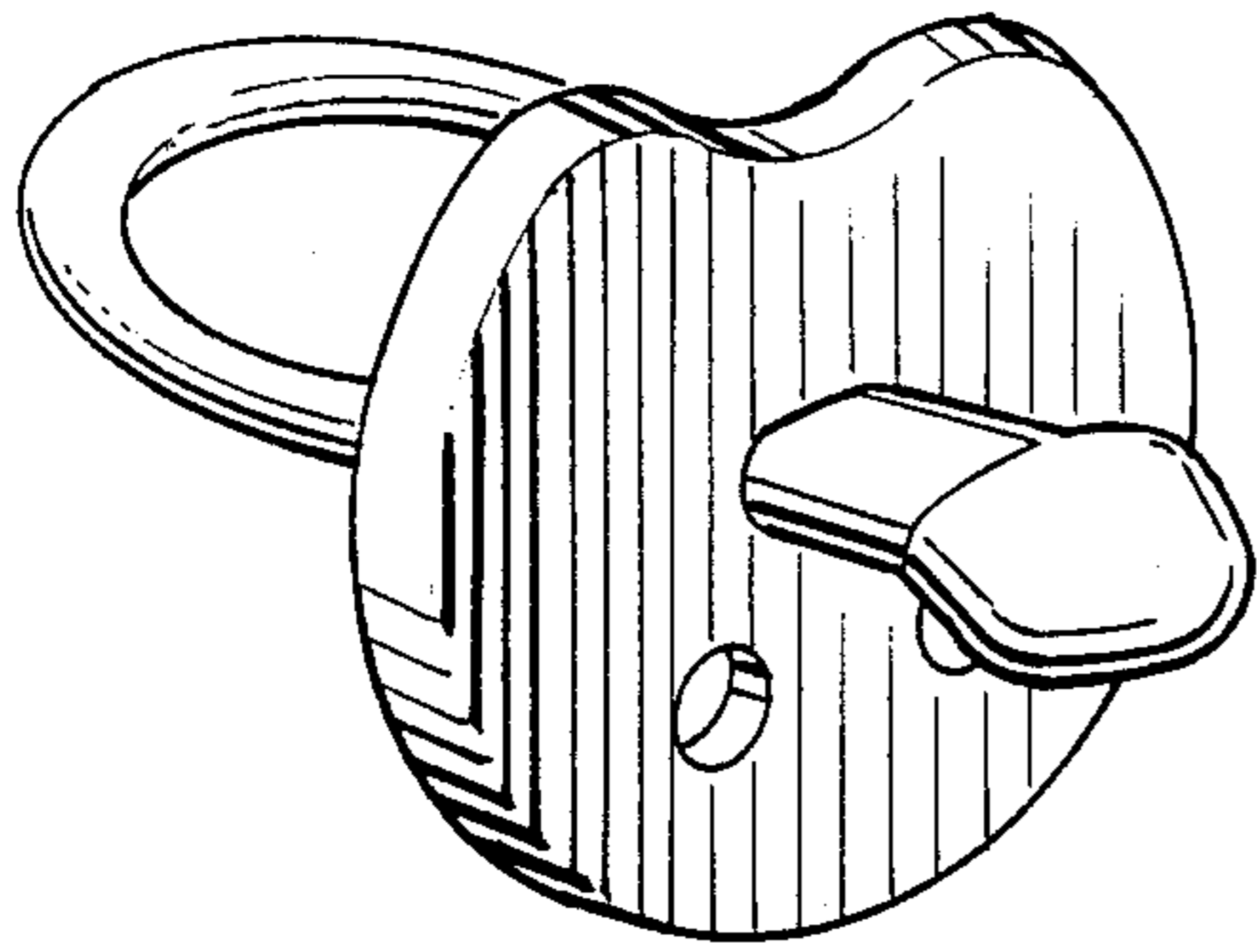


Fig. 8.

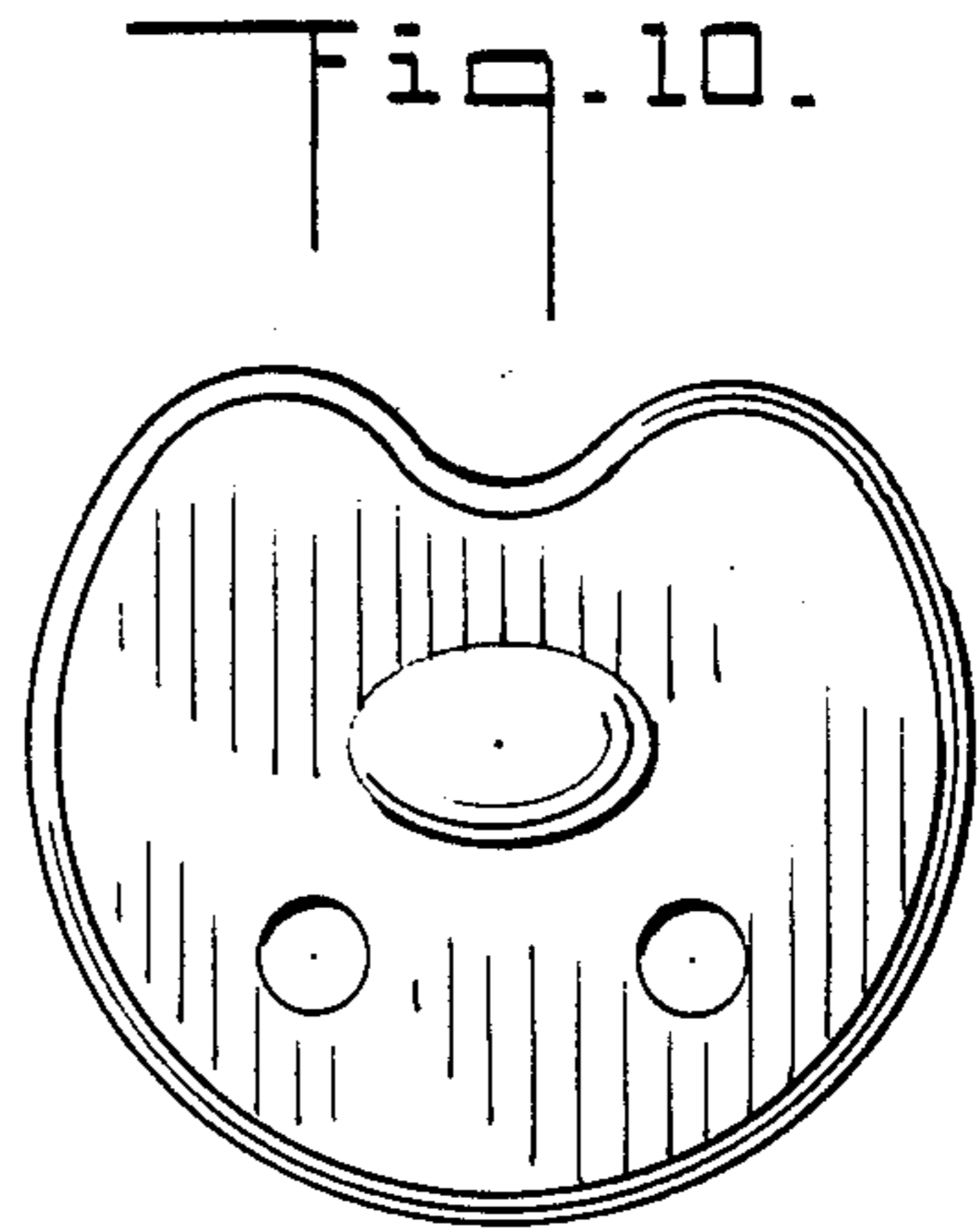


Fig. 10.

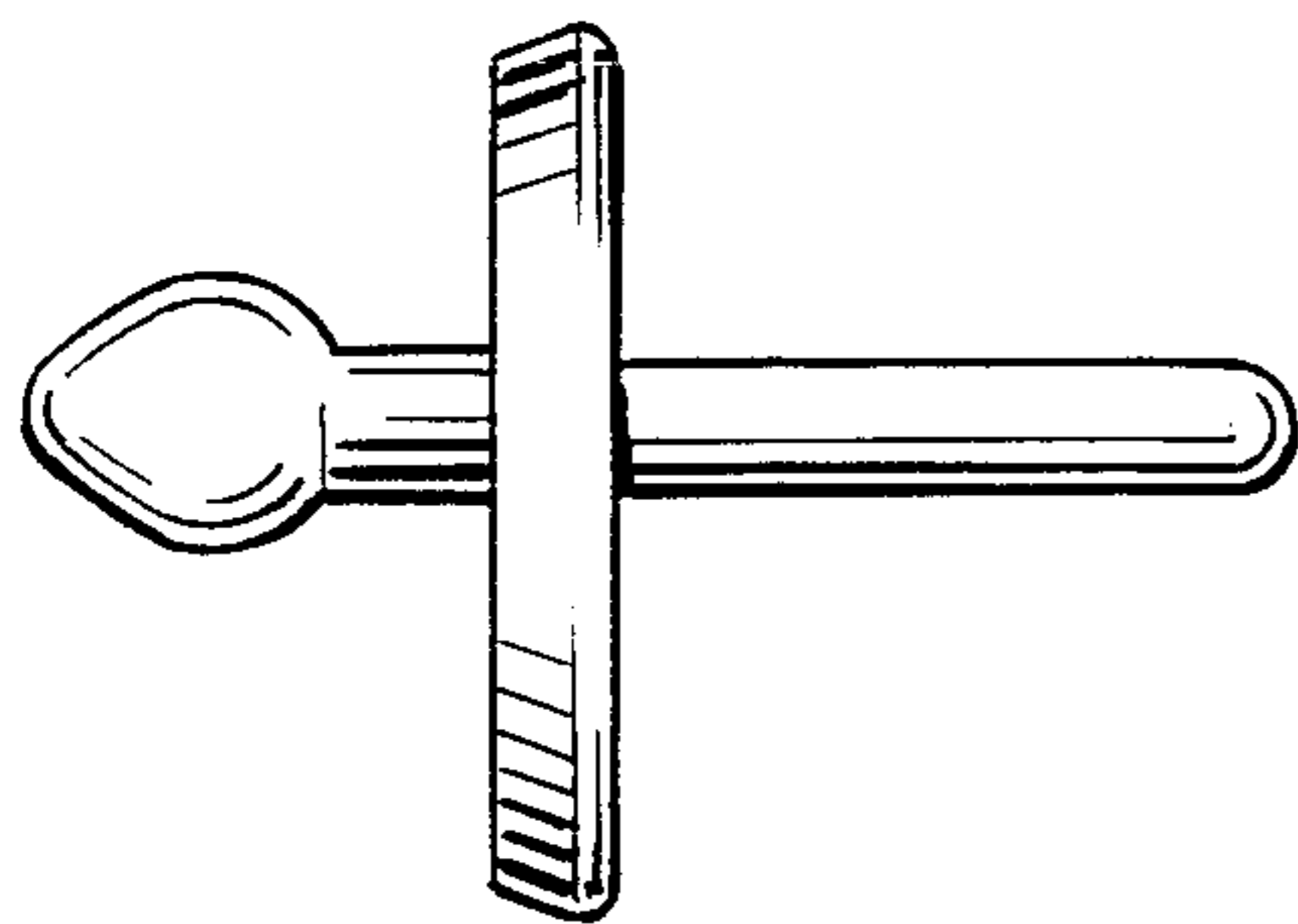


Fig. 11.

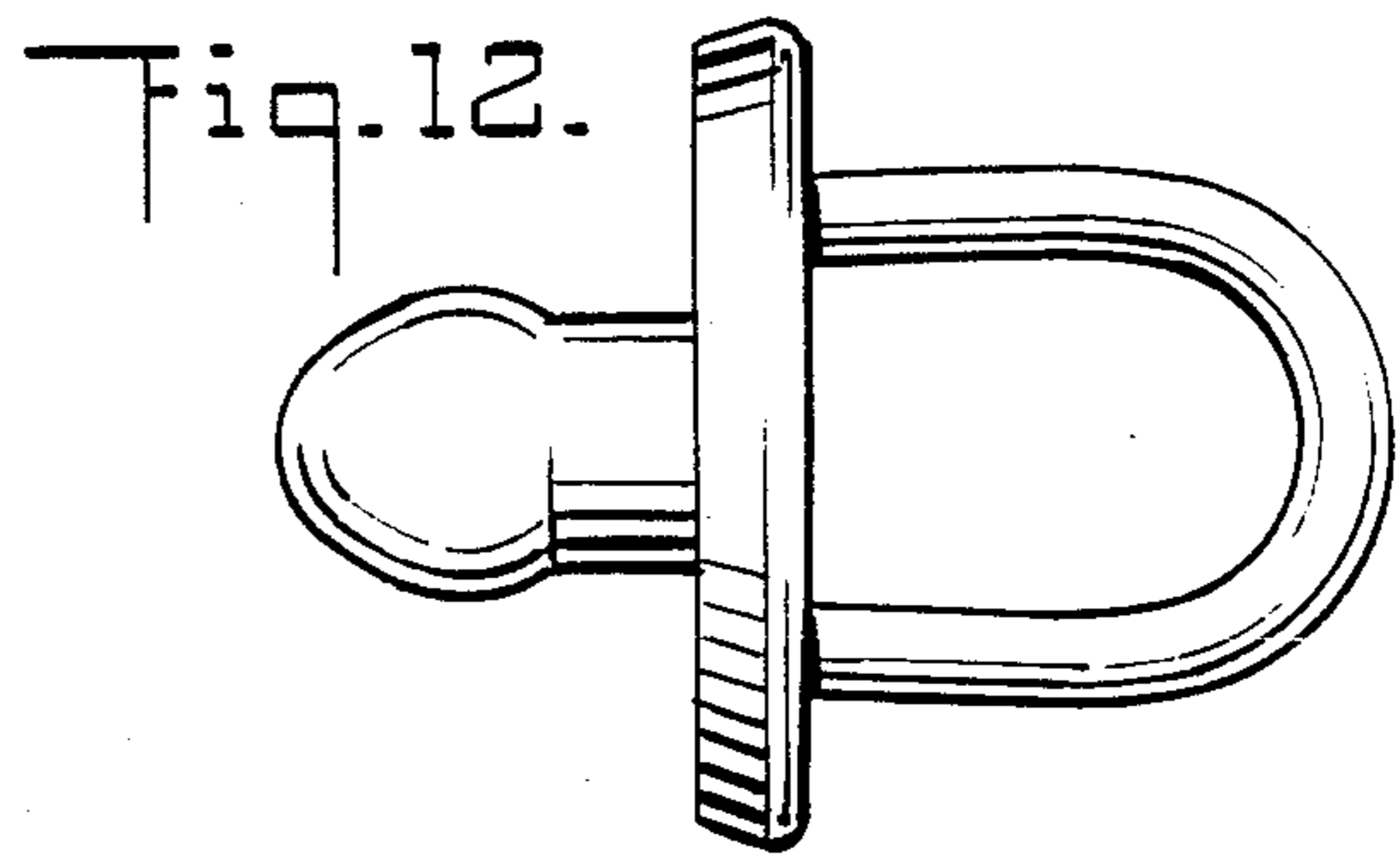


Fig. 12.

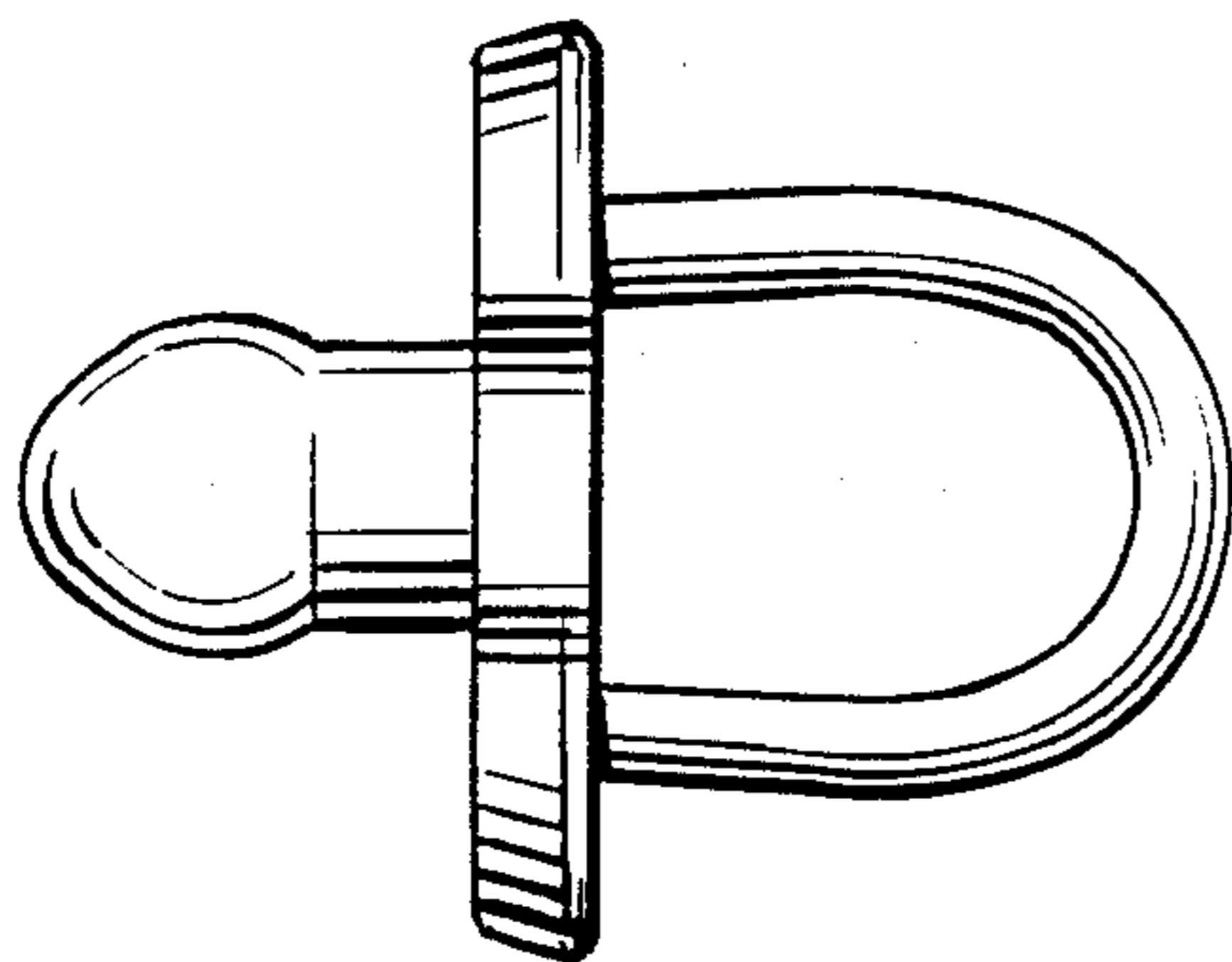


Fig. 14.

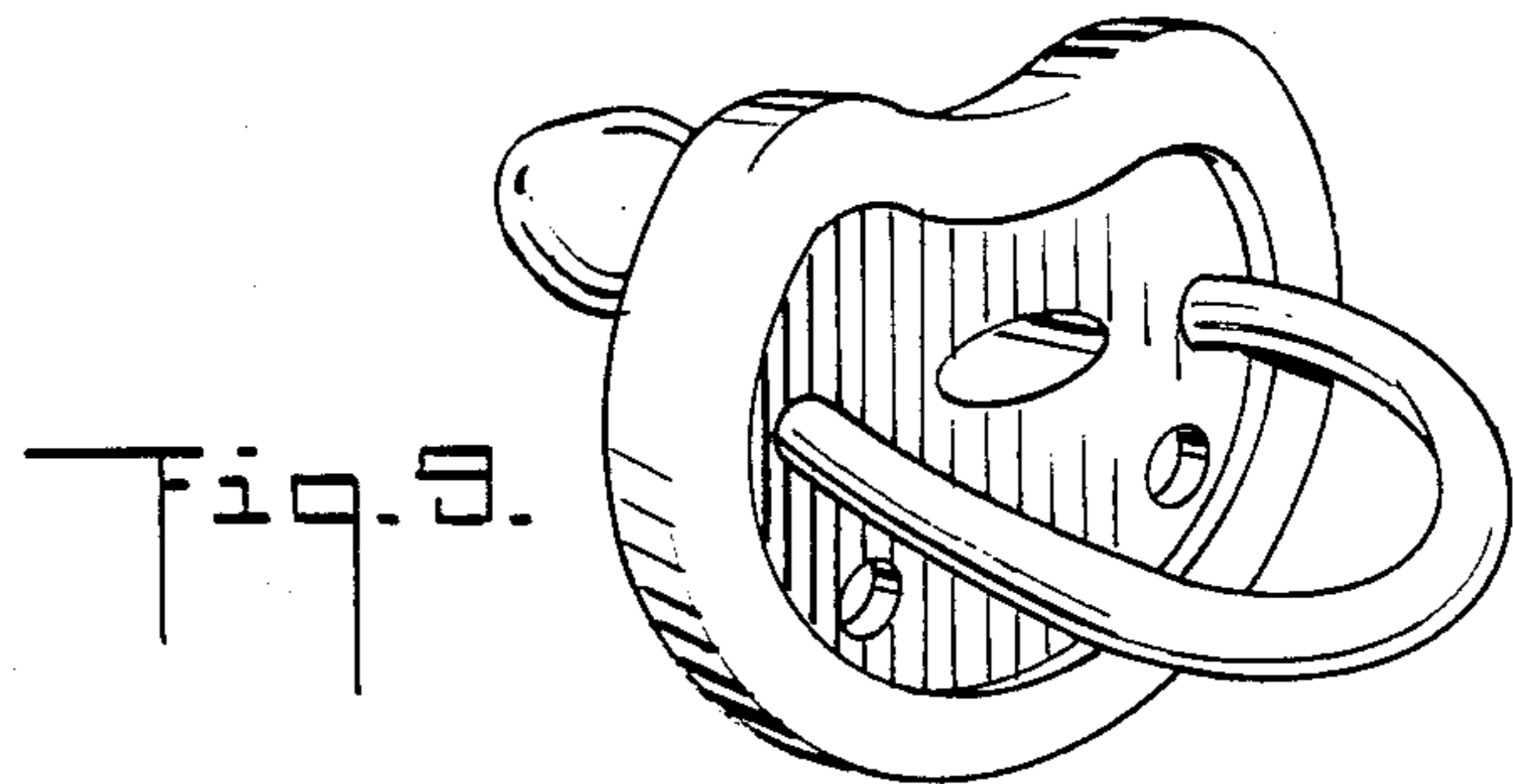


Fig. 9.

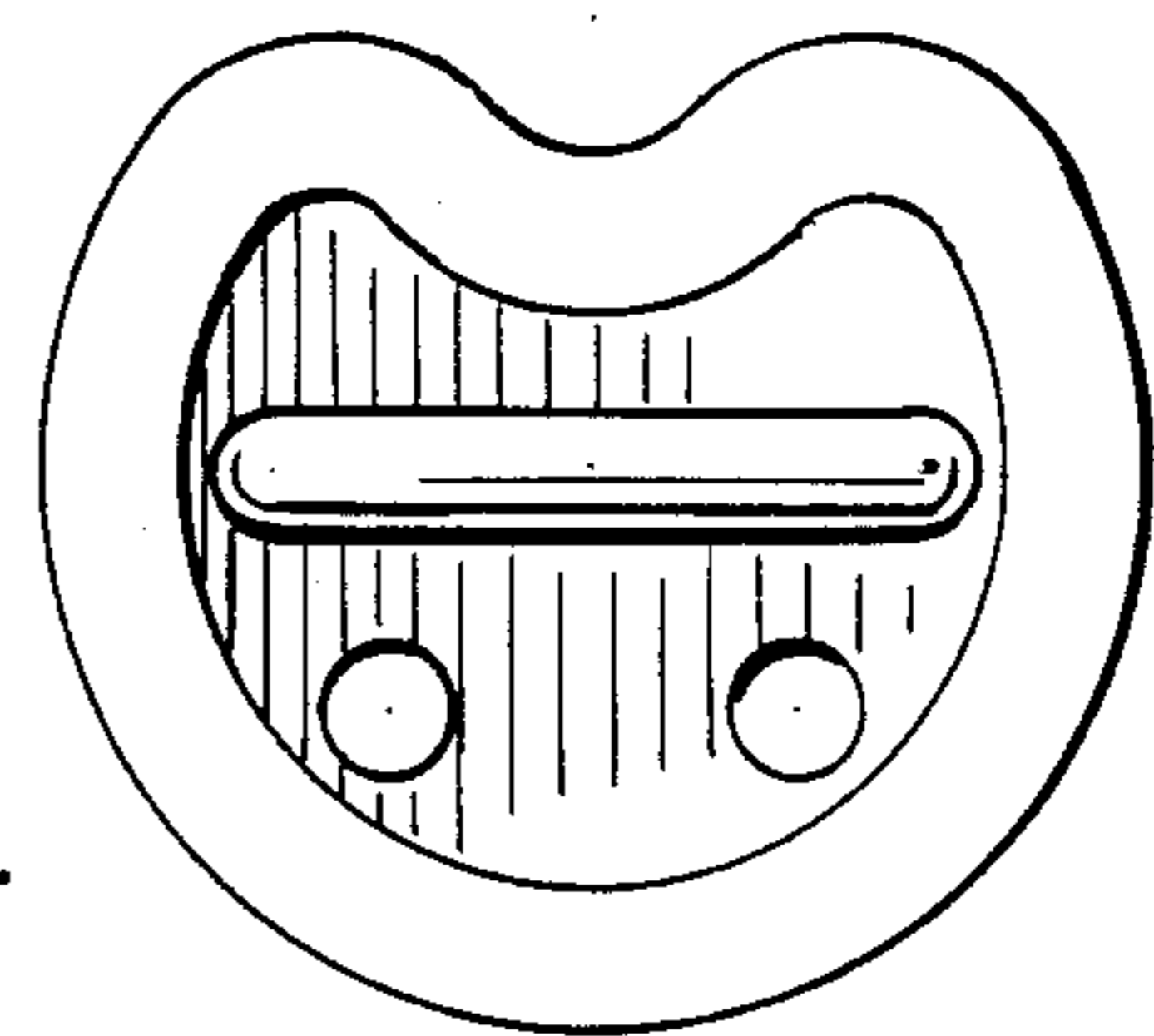


Fig. 13.