

# United States Patent [19]

Albert

[11] Patent Number: Des. 303,837

[45] Date of Patent: \*\* Oct. 3, 1989

[54] CUVETTE

[75] Inventor: Wayne Albert, New Hope, Pa.

[73] Assignee: Innovative Medical Systems Corp.,  
Ivyland, Pa.

[\*\*] Term: 14 Years

[21] Appl. No.: 17,433

[22] Filed: Feb. 20, 1987

[52] U.S. Cl. .... D24/29

[58] Field of Search ..... D24/29, 17, 8, 22, 31;  
422/64, 65, 67, 104; 356/246, 440; 206/369

## [56] References Cited

### U.S. PATENT DOCUMENTS

D. 288,845 3/1987 Borer et al. .... D24/29

4,126,418 11/1978 Krasnow ..... 422/64  
4,684,250 8/1987 Kukka et al. .... 356/246

*Primary Examiner*—Wallace R. Burke

*Assistant Examiner*—Stella M. Reid

*Attorney, Agent, or Firm*—Armand M. Vozzo, Jr.

## [57] CLAIM

The ornamental design for a cuvette, as shown and described.

## DESCRIPTION

FIG. 1 is a top plan view of a cuvette, showing my new design;

FIG. 2 is a bottom plan view thereof;

FIG. 3 is a left side elevational view thereof;

FIG. 4 is a right side elevational view thereof;

FIG. 5 is a front elevational view thereof; and

FIG. 6 is a rear elevational view thereof.

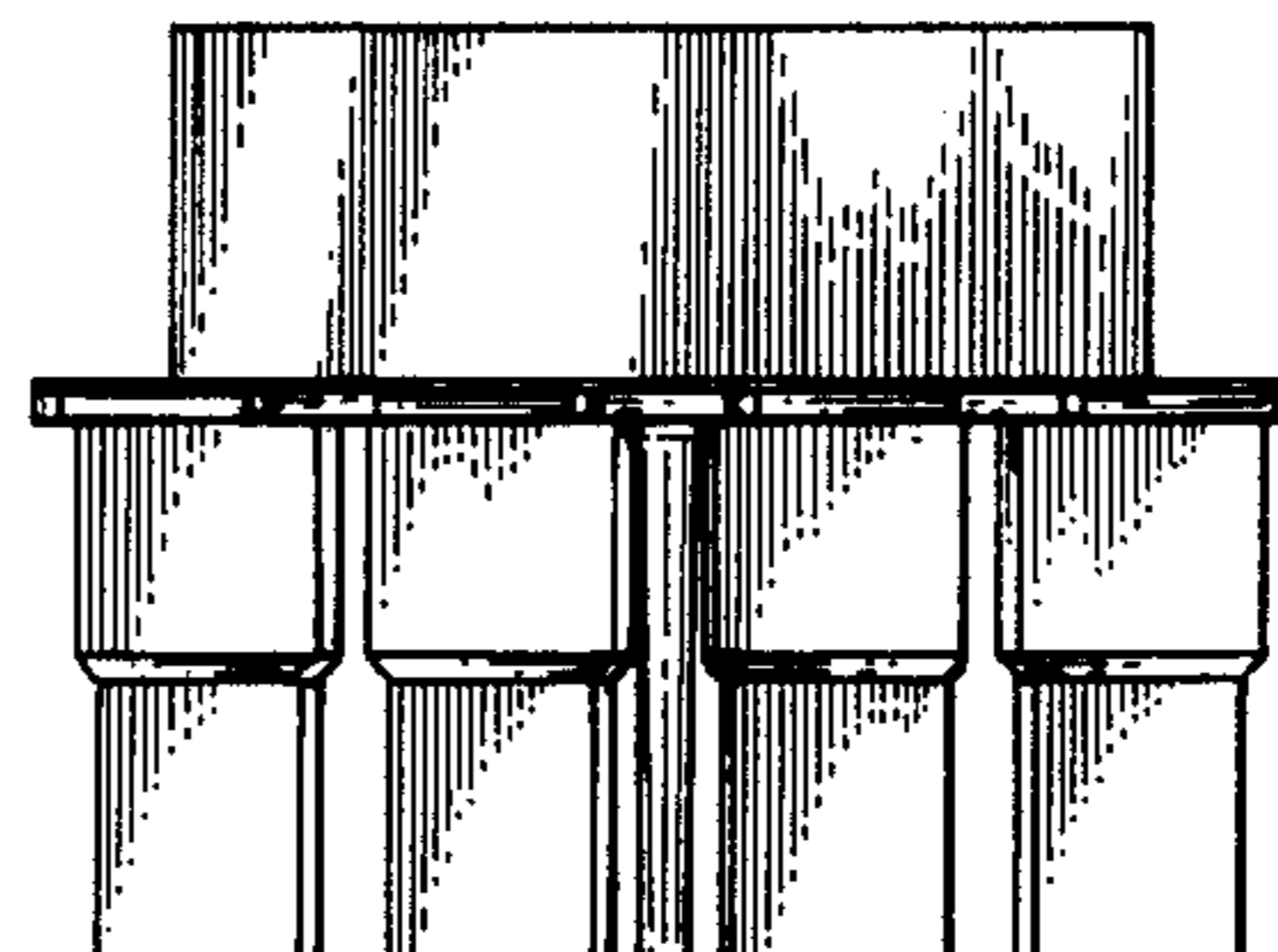
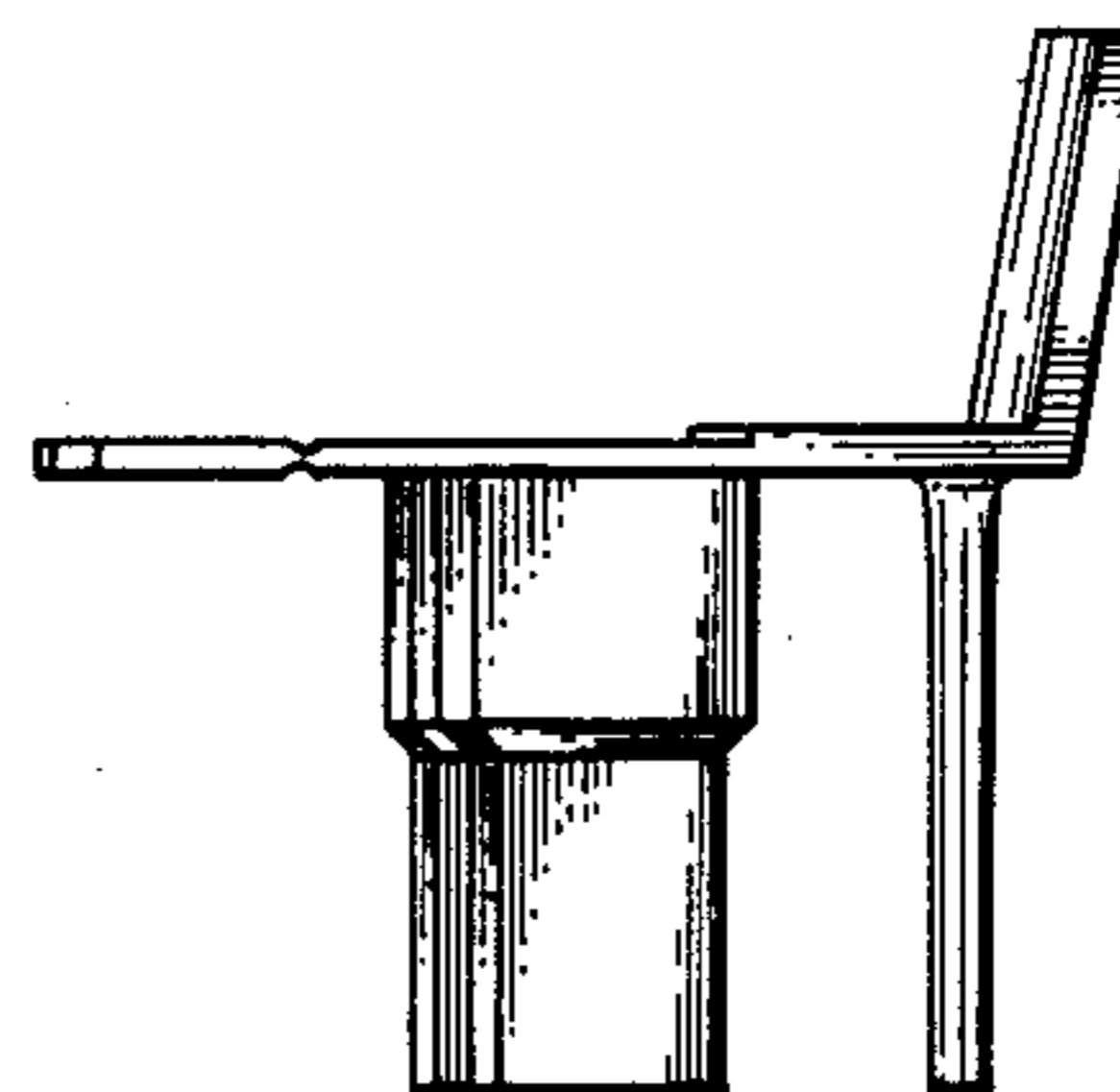
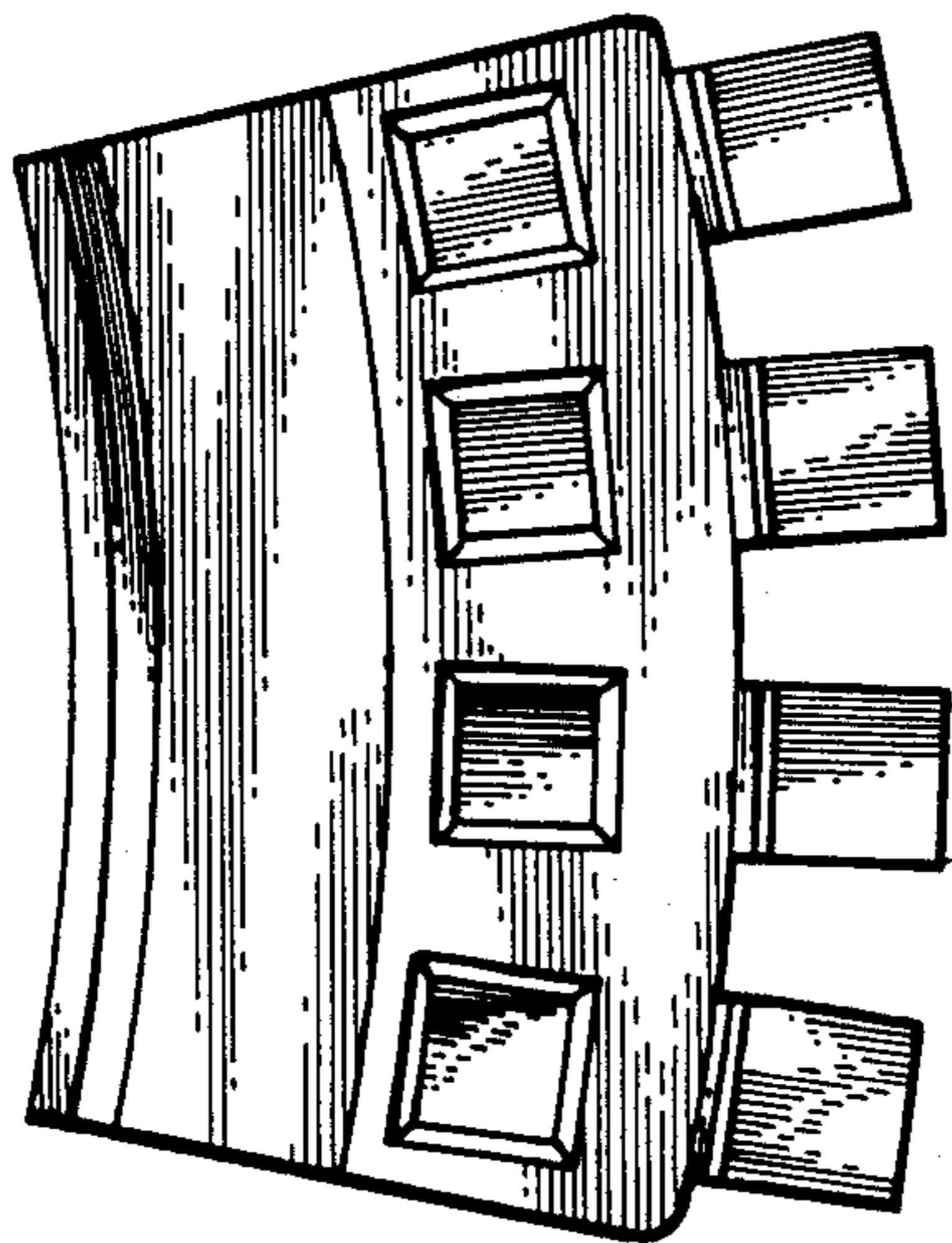


FIG. 1

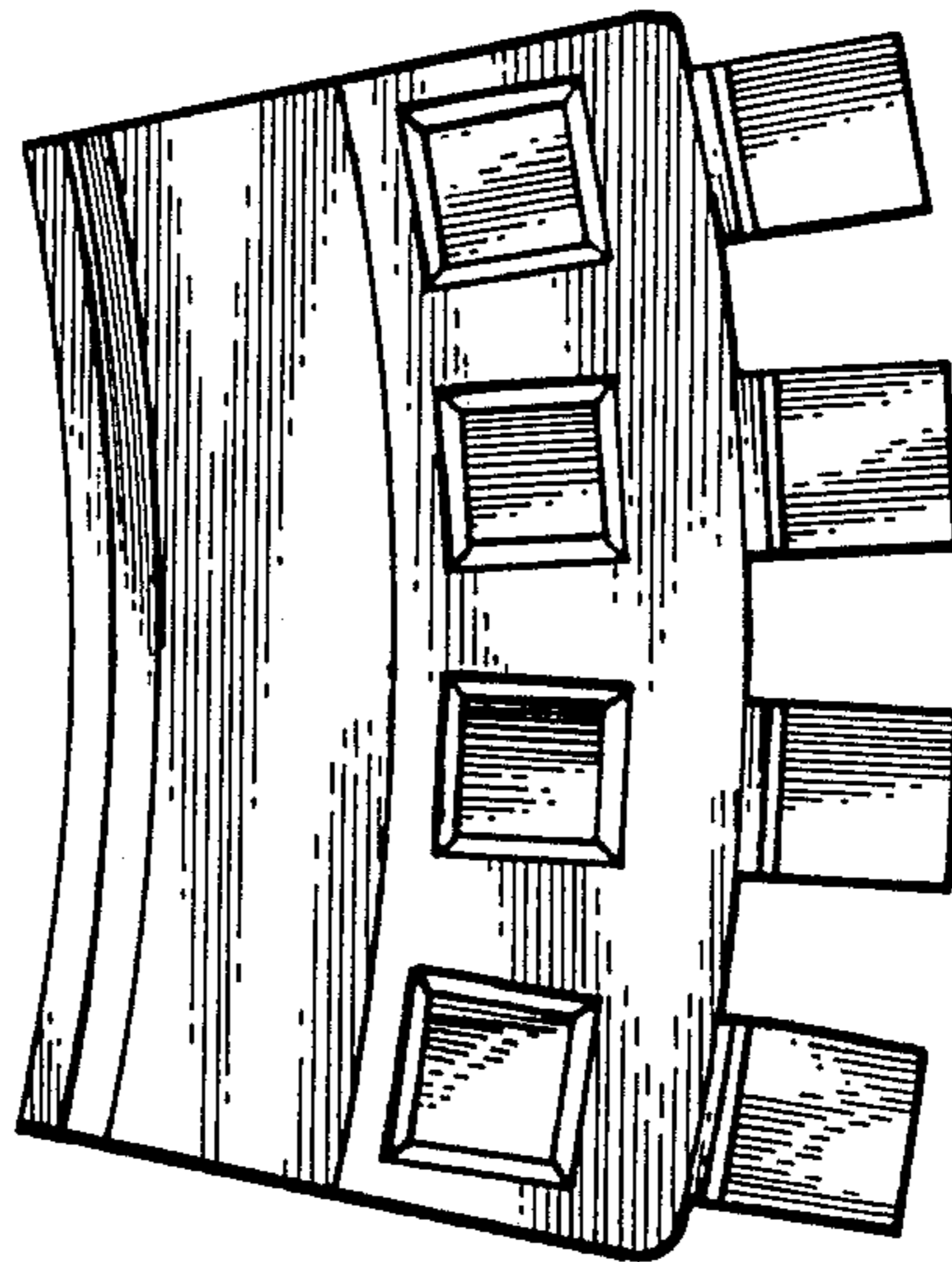


FIG. 2

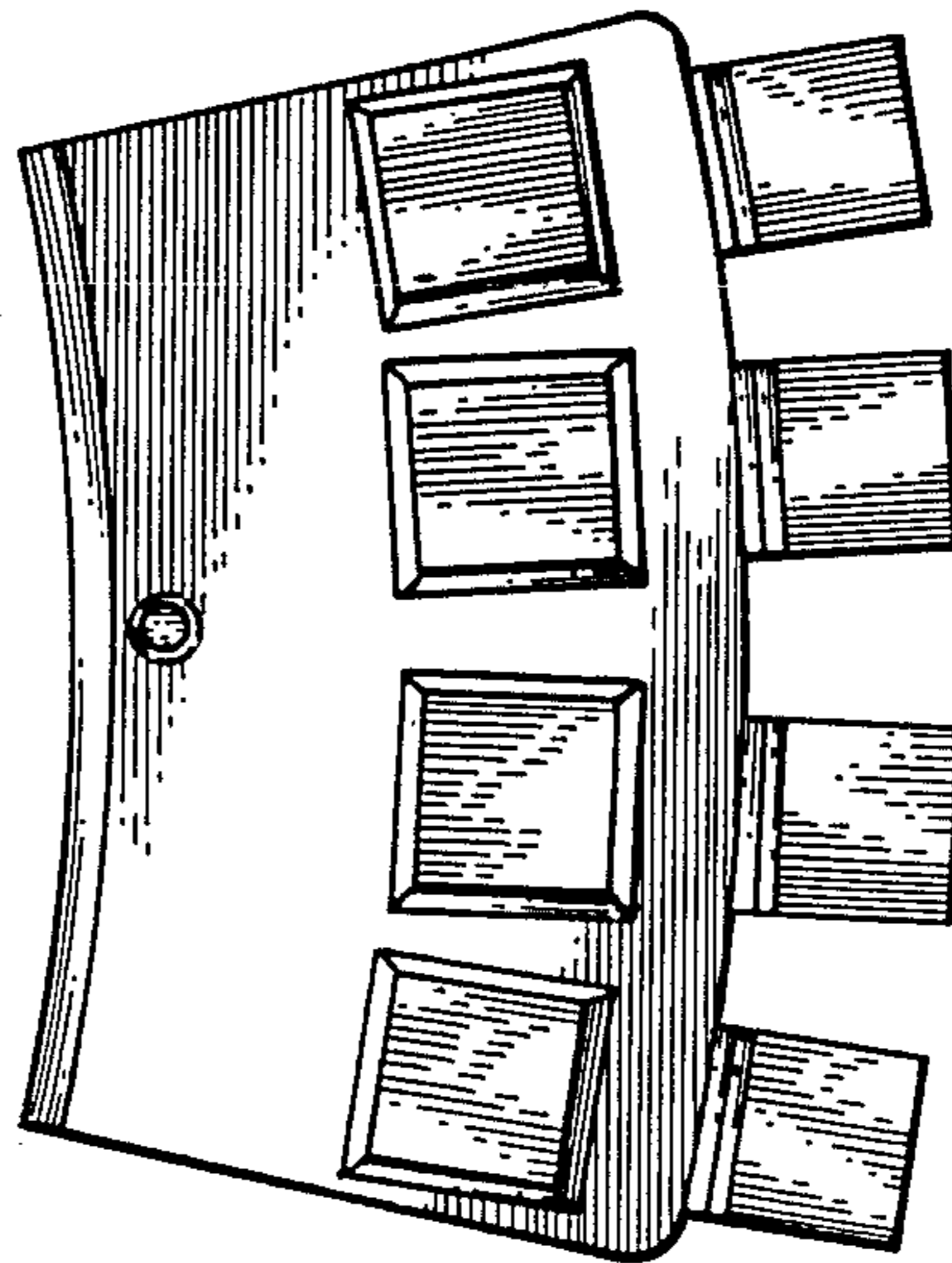
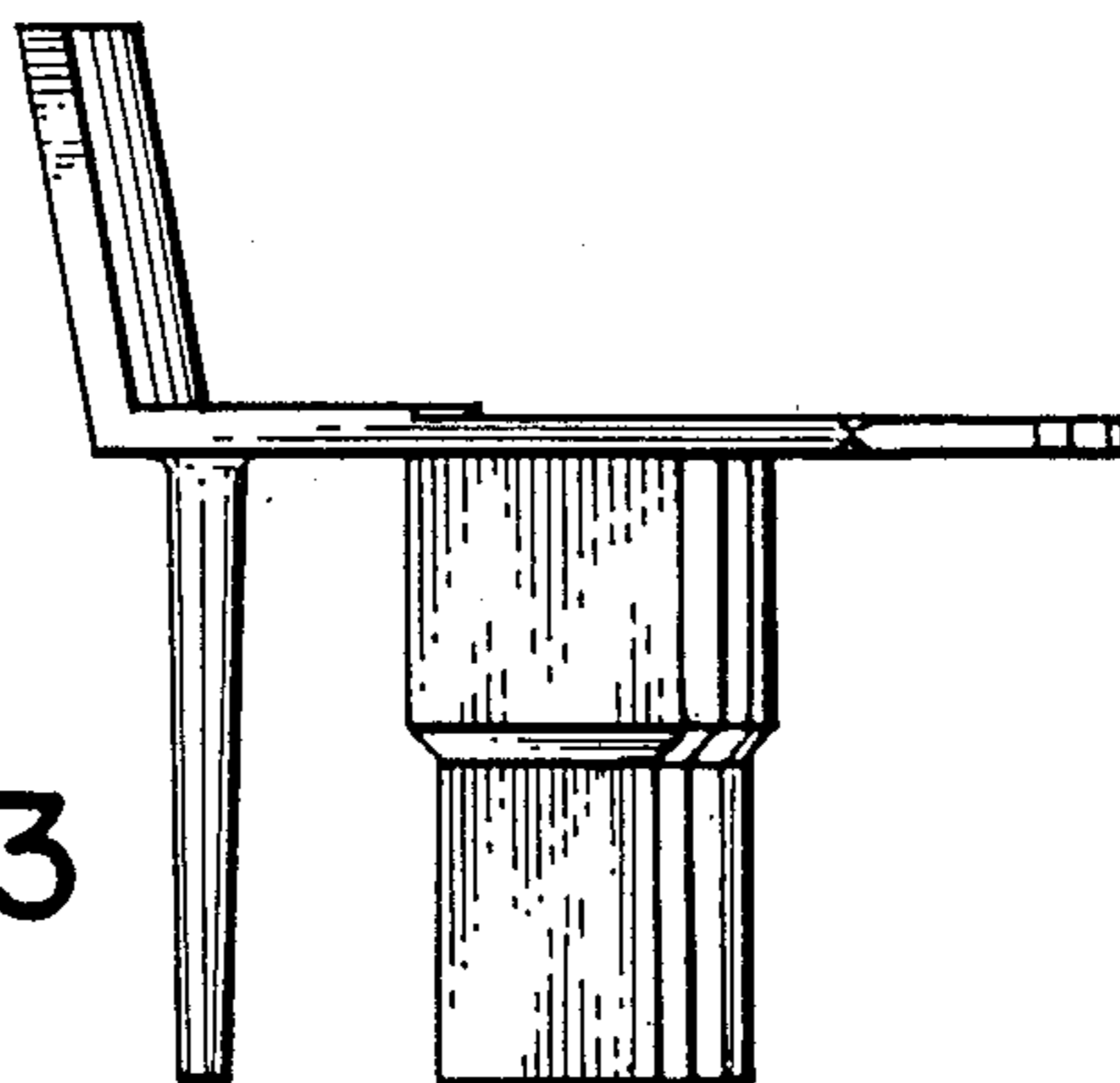


FIG. 3



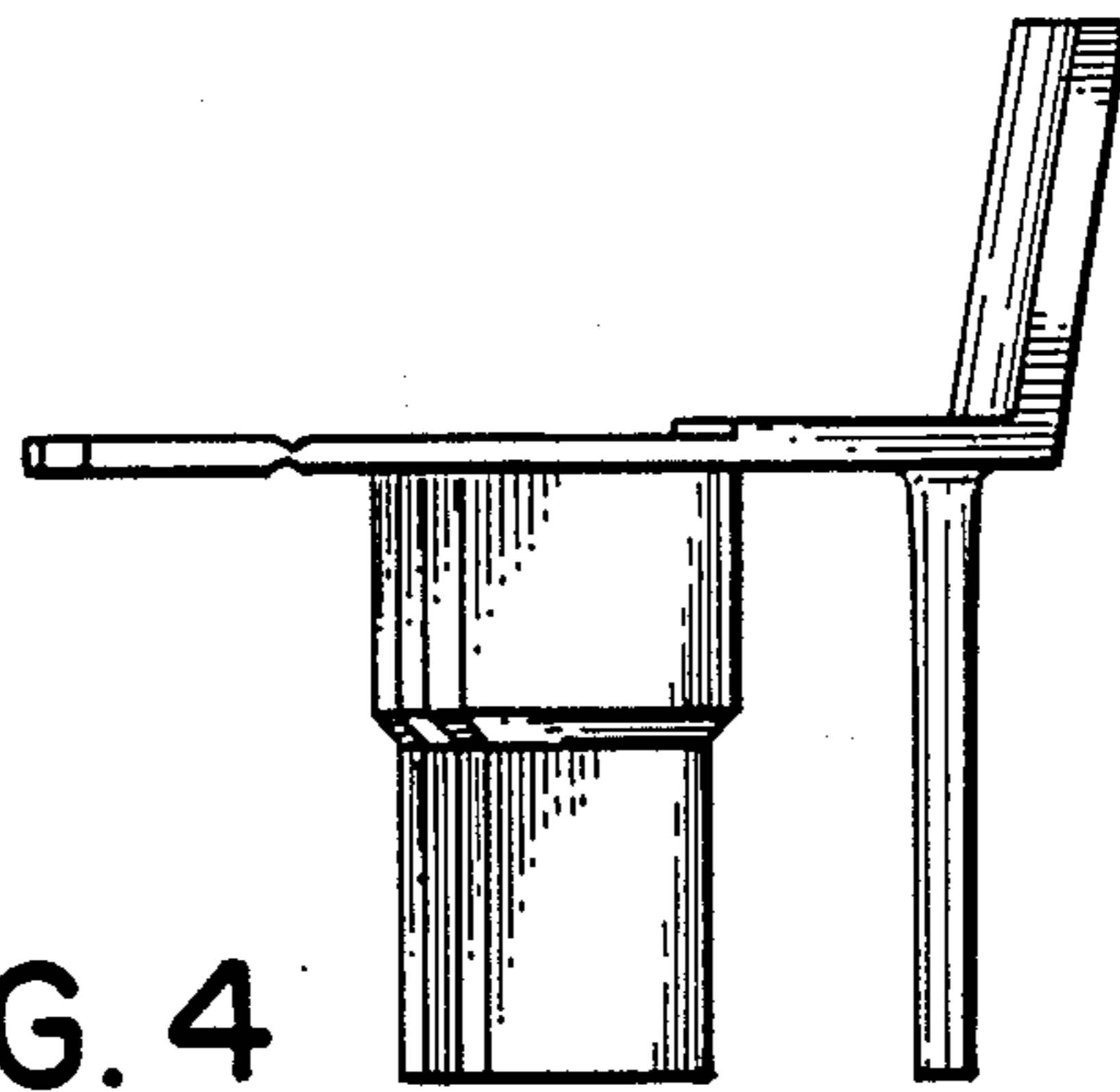


FIG. 4

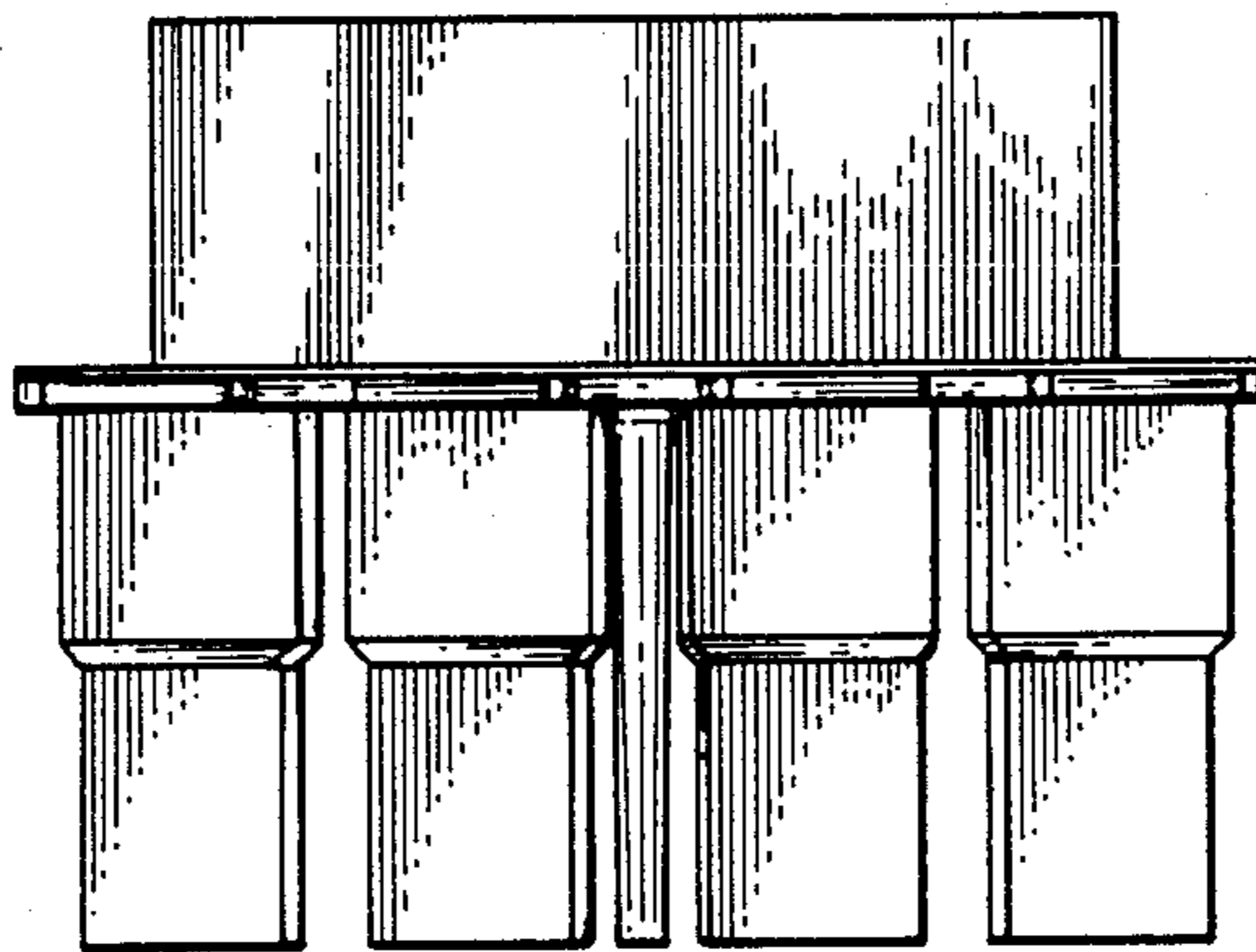


FIG. 5

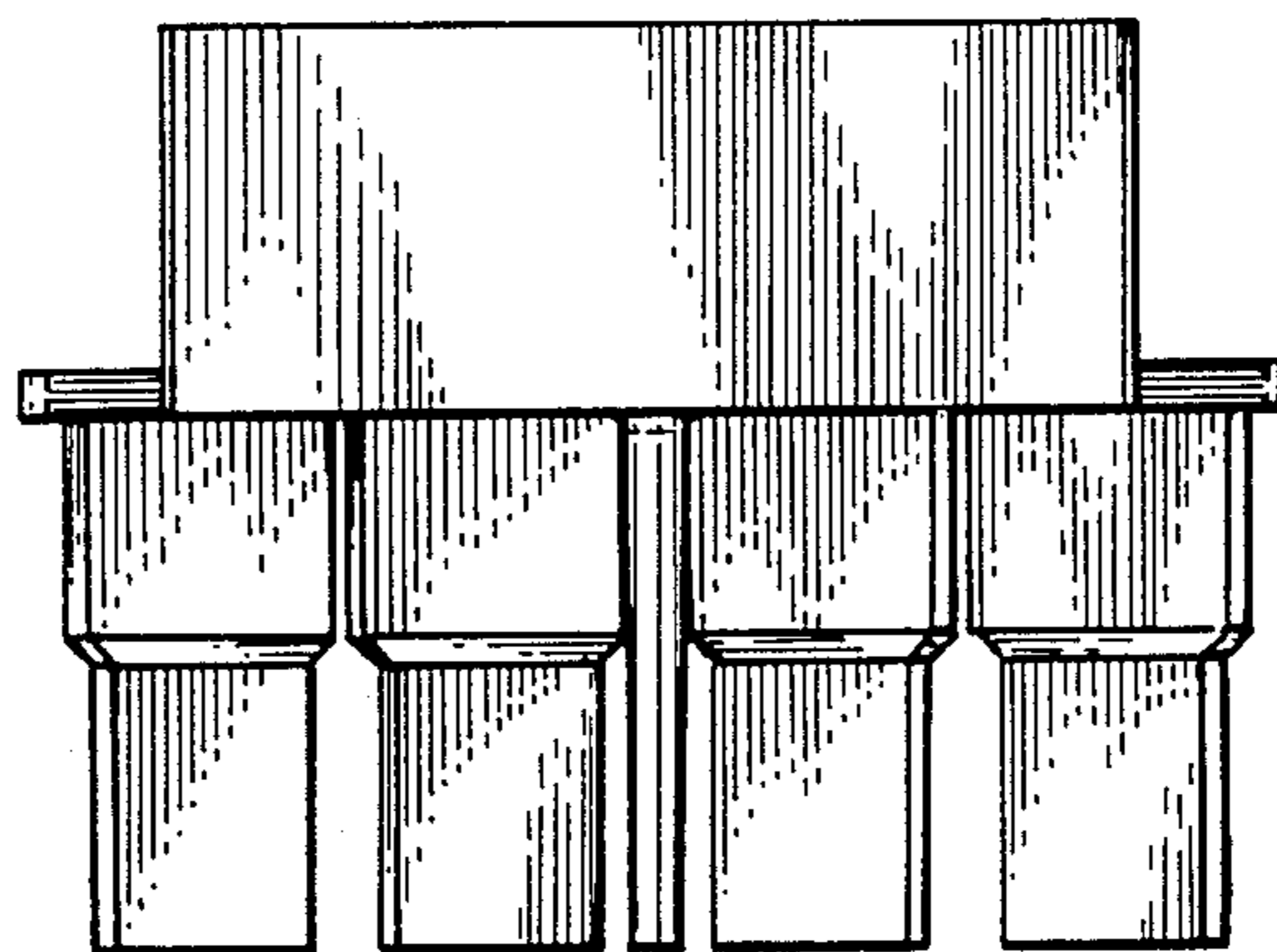


FIG. 6