

[54] FAUCET-ATTACHED SUCTION PUMP FOR A DENTAL PLAQUE CLEANER

[76] Inventor: Paul S. Barclay, Ste. 309, 4801 W. Peterson Ave., Chicago, Ill. 60646

[**] Term: 14 Years

[21] Appl. No.: 988

[22] Filed: Jan. 5, 1987

[52] U.S. Cl. D24/15

[58] Field of Search D24/10, 16, 15; D15/7; 433/84, 91-92; D23/209

[56] References Cited

U.S. PATENT DOCUMENTS

D. 220,335	3/1971	Johnson et al.	D24/15
D. 221,222	7/1971	Flatray	D24/15
D. 272,763	2/1984	Coffman	D24/15
D. 292,734	11/1987	Ryder	D24/15
3,453,969	7/1969	Mattingly	433/92 X

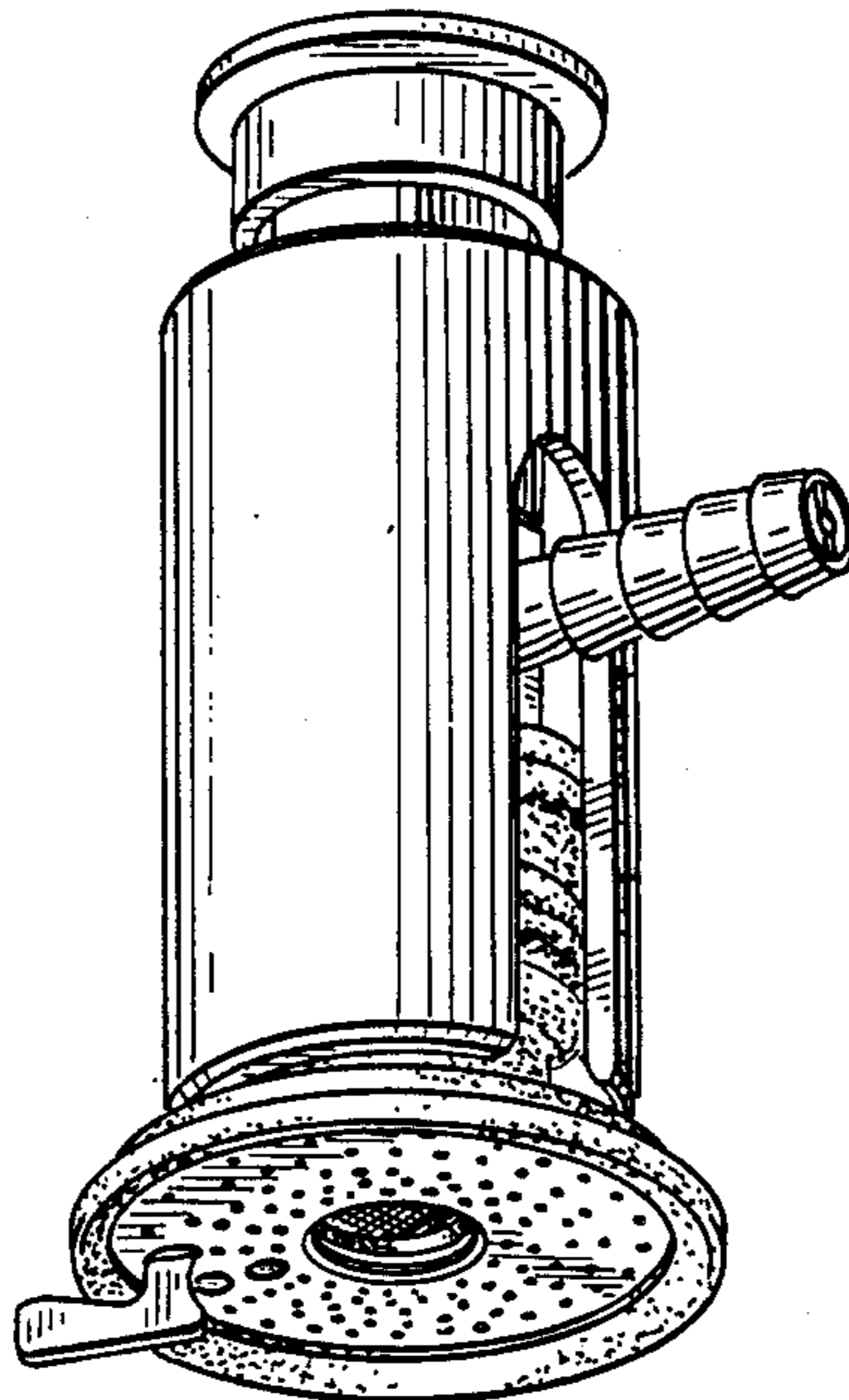
Primary Examiner—Wallace R. Burke
Assistant Examiner—Brian N. Vinson
Attorney, Agent, or Firm—Wood, Dalton, Phillips, Mason & Rowe

[57] CLAIM

The ornamental design for a faucet-attached suction pump for a dental plaque cleaner, as shown and described.

DESCRIPTION

FIG. 1 is a bottom and rear perspective view of a faucet-attached suction pump for a dental plaque cleaner showing my new design; FIG. 2 is a right side elevational view thereof, the left side being a mirror image of that shown; FIG. 3 is a front elevational view thereof; FIG. 4 is a rear elevational view thereof; FIG. 5 is a top plan view thereof; and FIG. 6 is a bottom plan view thereof.



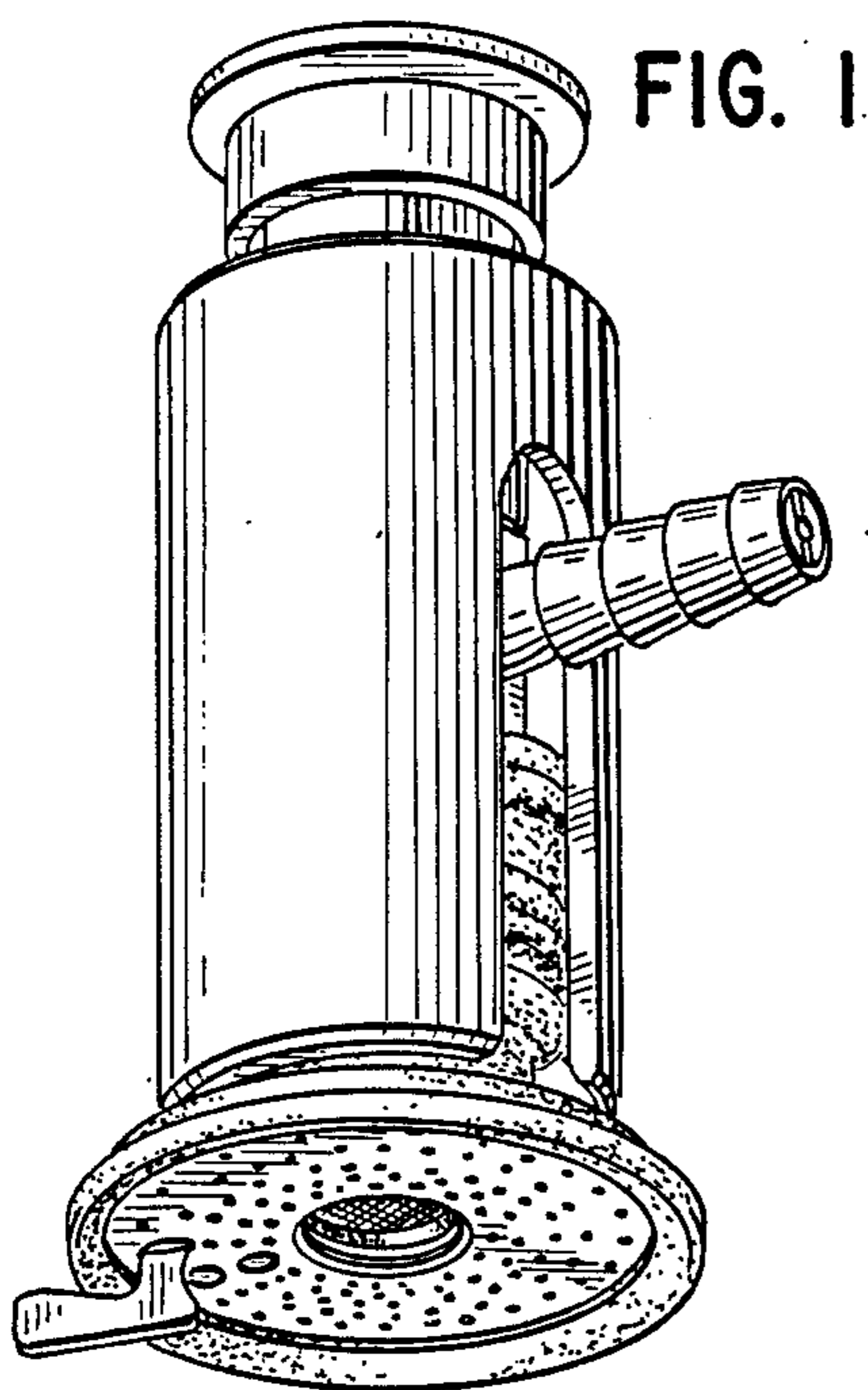


FIG. 1

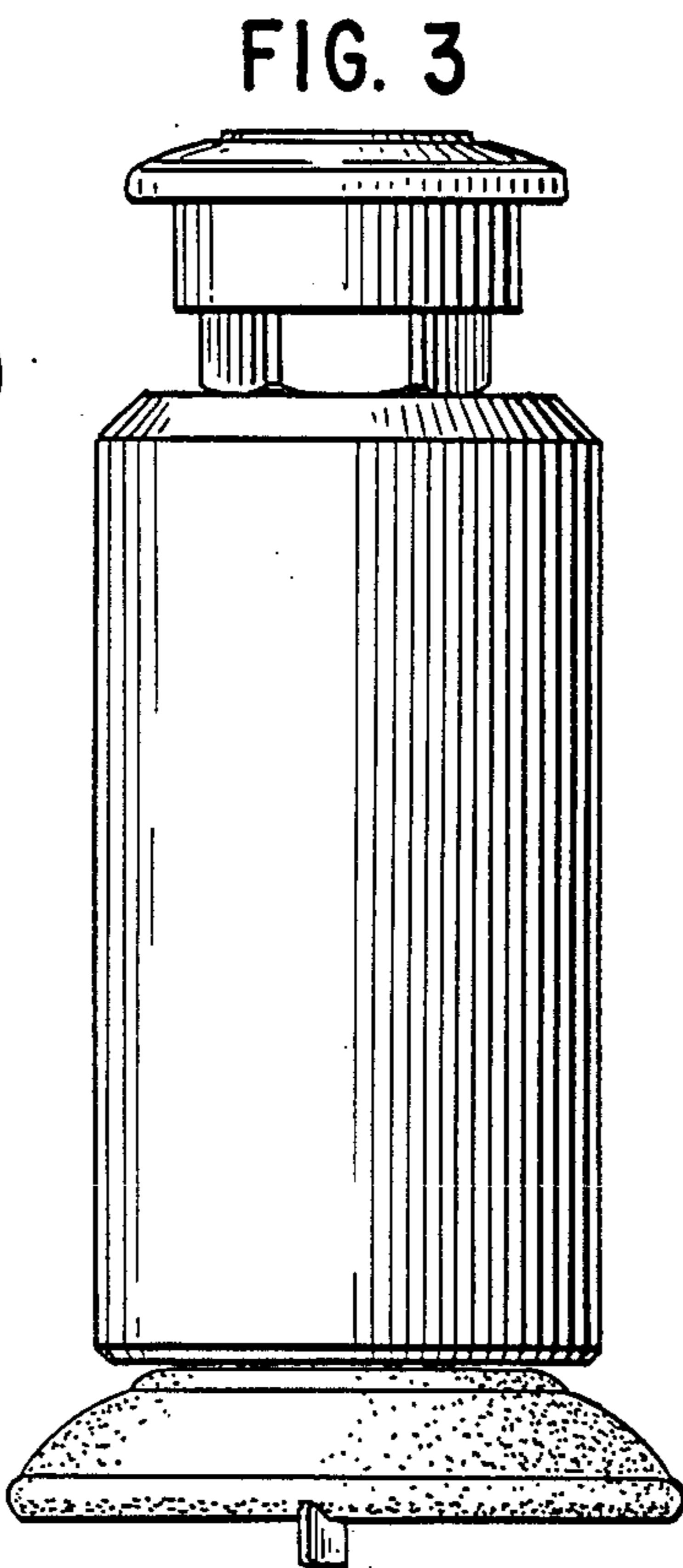


FIG. 3

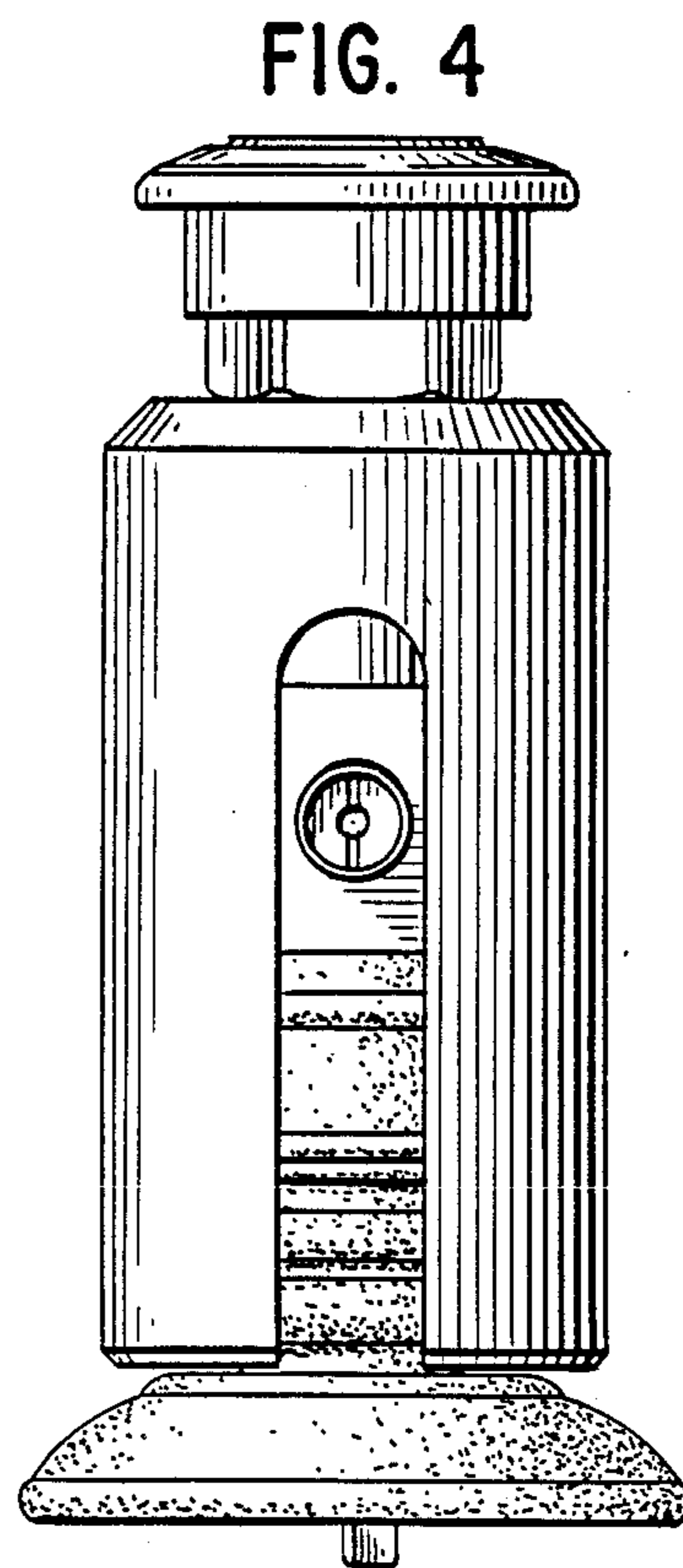


FIG. 4

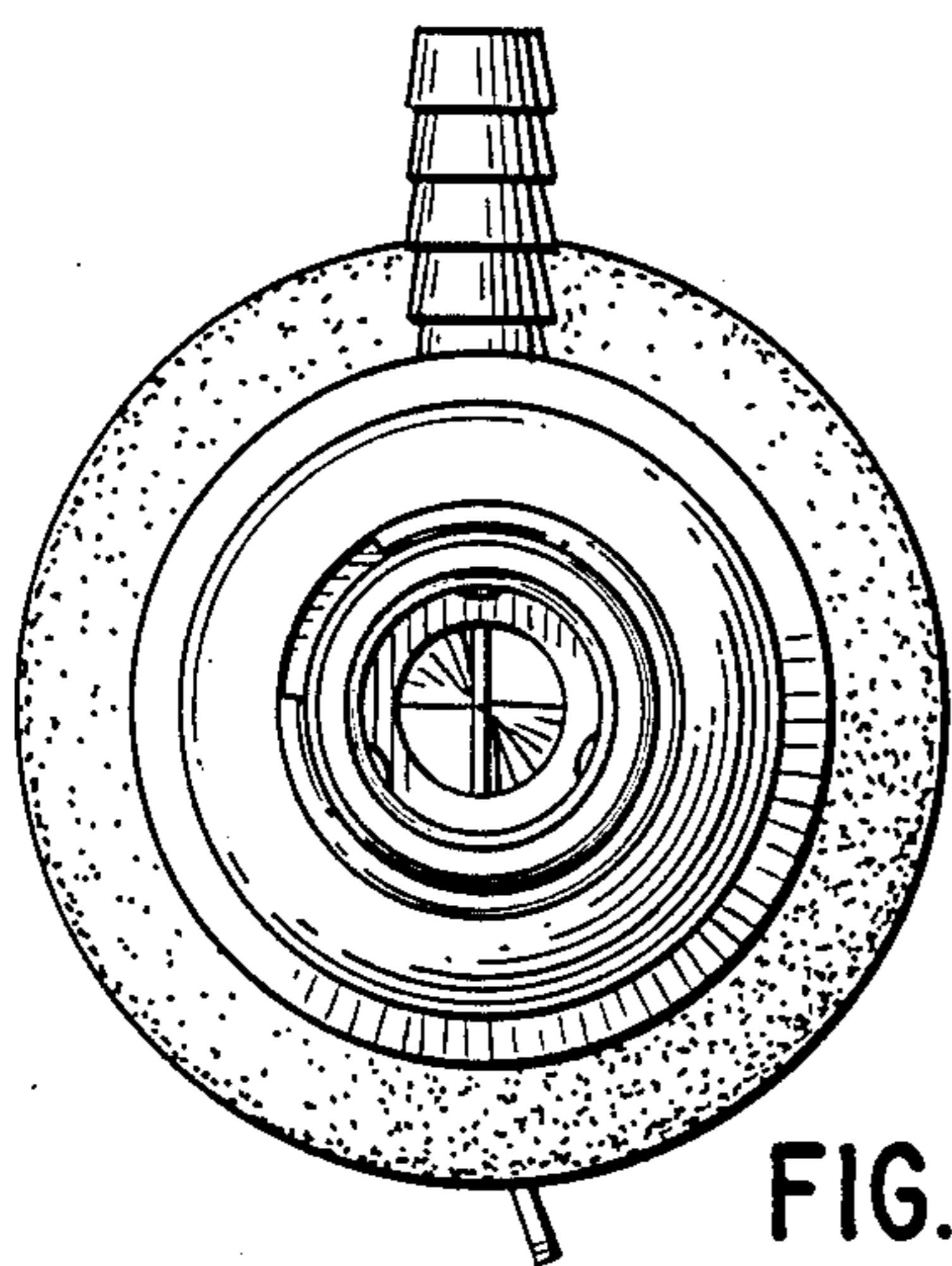


FIG. 5

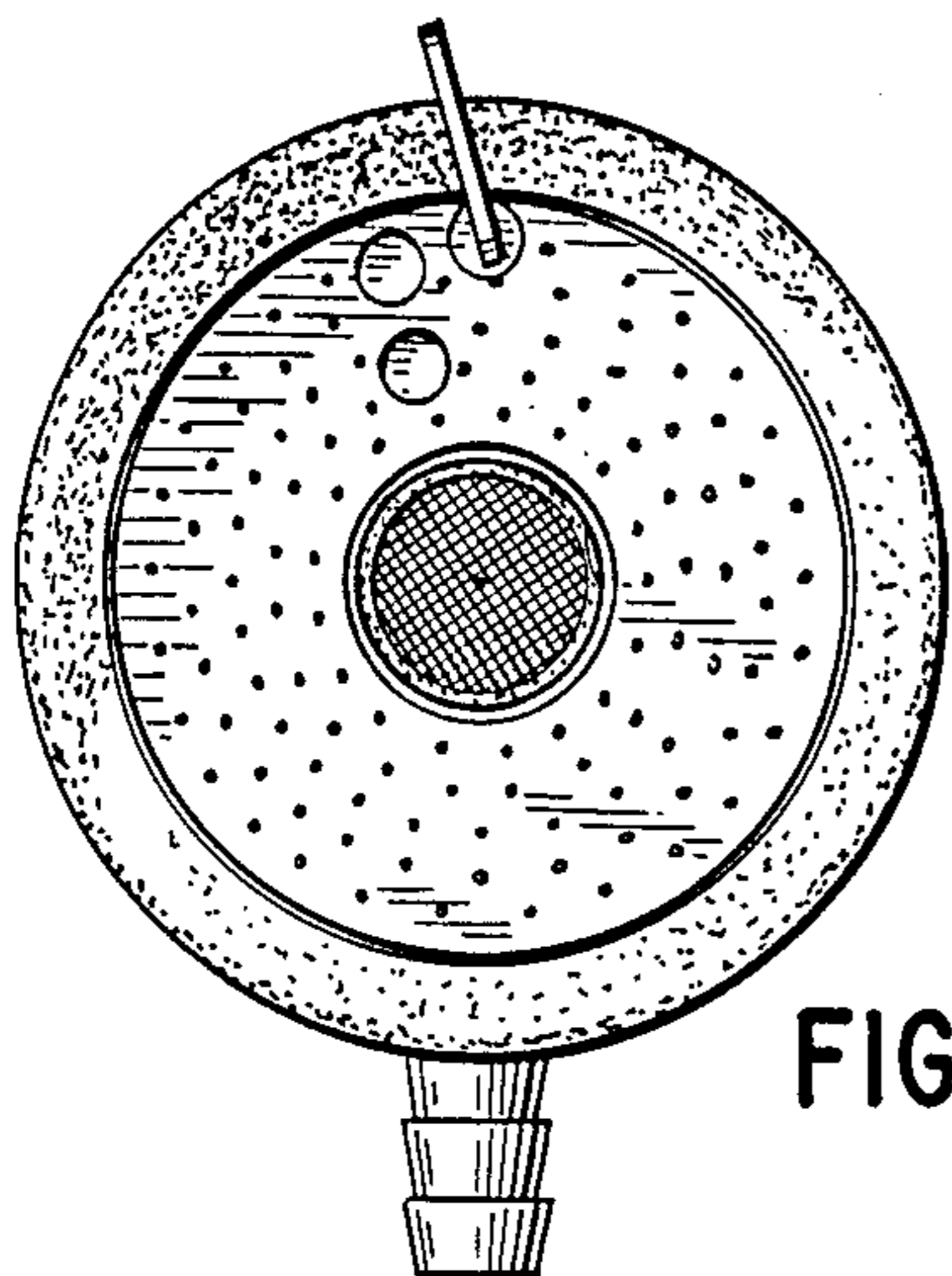


FIG. 6

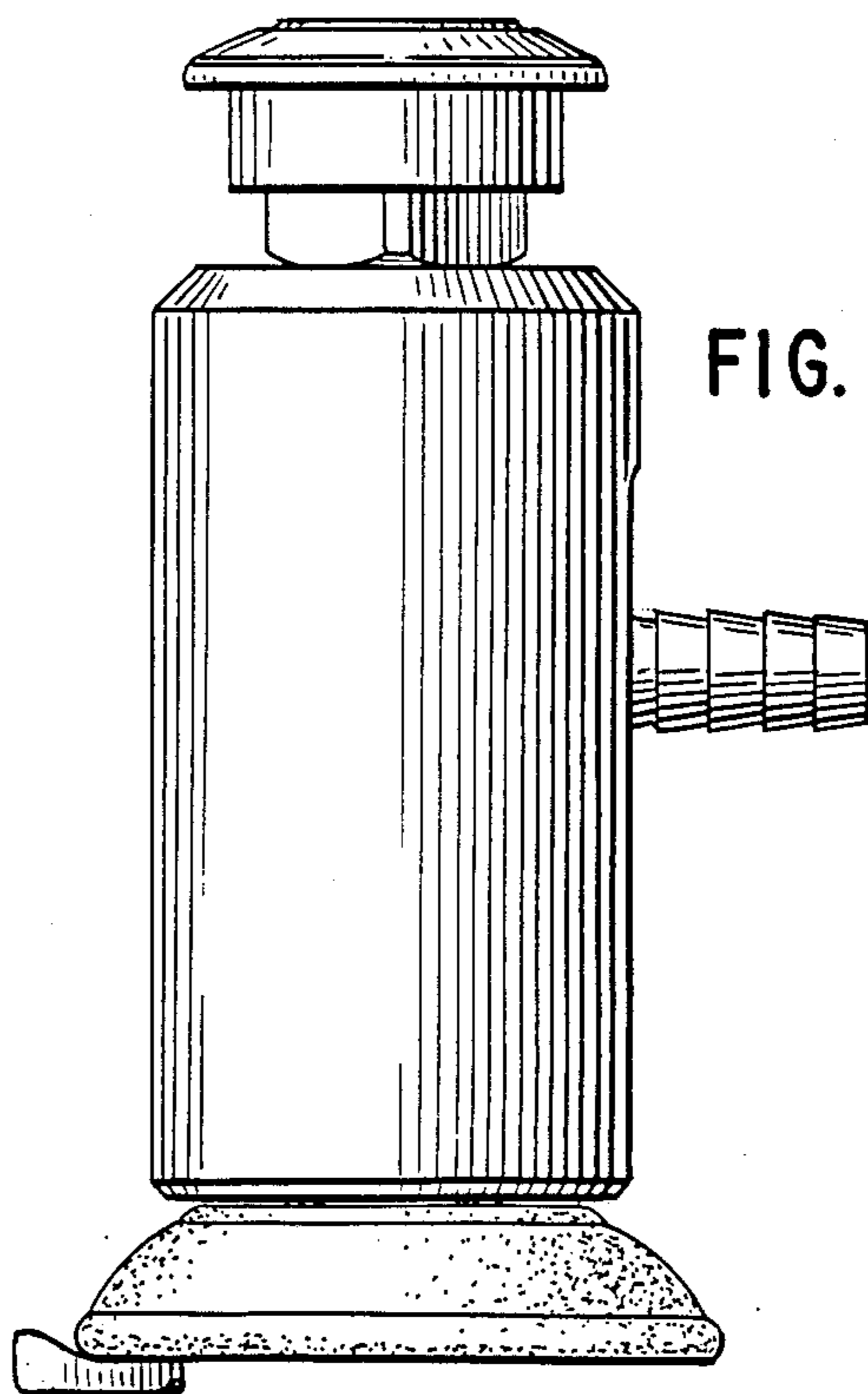


FIG. 2