

[54] **COMBINED SHOWER CONTROL HANDLE AND ESCUTCHEON**

[75] **Inventors: Roger H. Ramsey, Copley; Mitchell L. Wilgus, Akron, both of Ohio**

[73] **Assignee: Stanadyne, Inc., Windsor, Conn.**

[\*\*] **Term: 14 Years**

[21] **Appl. No.: 3,308**

[22] **Filed: Jan. 13, 1987**

[52] **U.S. Cl. .... D23/254**

[58] **Field of Search .... D23/233-254; D8/300-322; 16/110-127**

[56] **References Cited**

**U.S. PATENT DOCUMENTS**

- D. 193,756 10/1962 Parker ..... D23/254
- D. 194,229 12/1962 Landell et al. .... D23/254
- D. 203,795 2/1966 Harvey et al. .... D23/254

- D. 279,123 6/1985 Niemann ..... D23/255
- D. 285,107 8/1986 Ogilvie ..... D23/254
- D. 285,108 8/1986 Ogilvie ..... D23/254
- D. 285,245 8/1986 Ogilvie ..... D23/254
- D. 291,239 8/1987 Haug et al. .... D23/254
- D. 295,662 5/1988 Kohler, Jr. .... D23/255

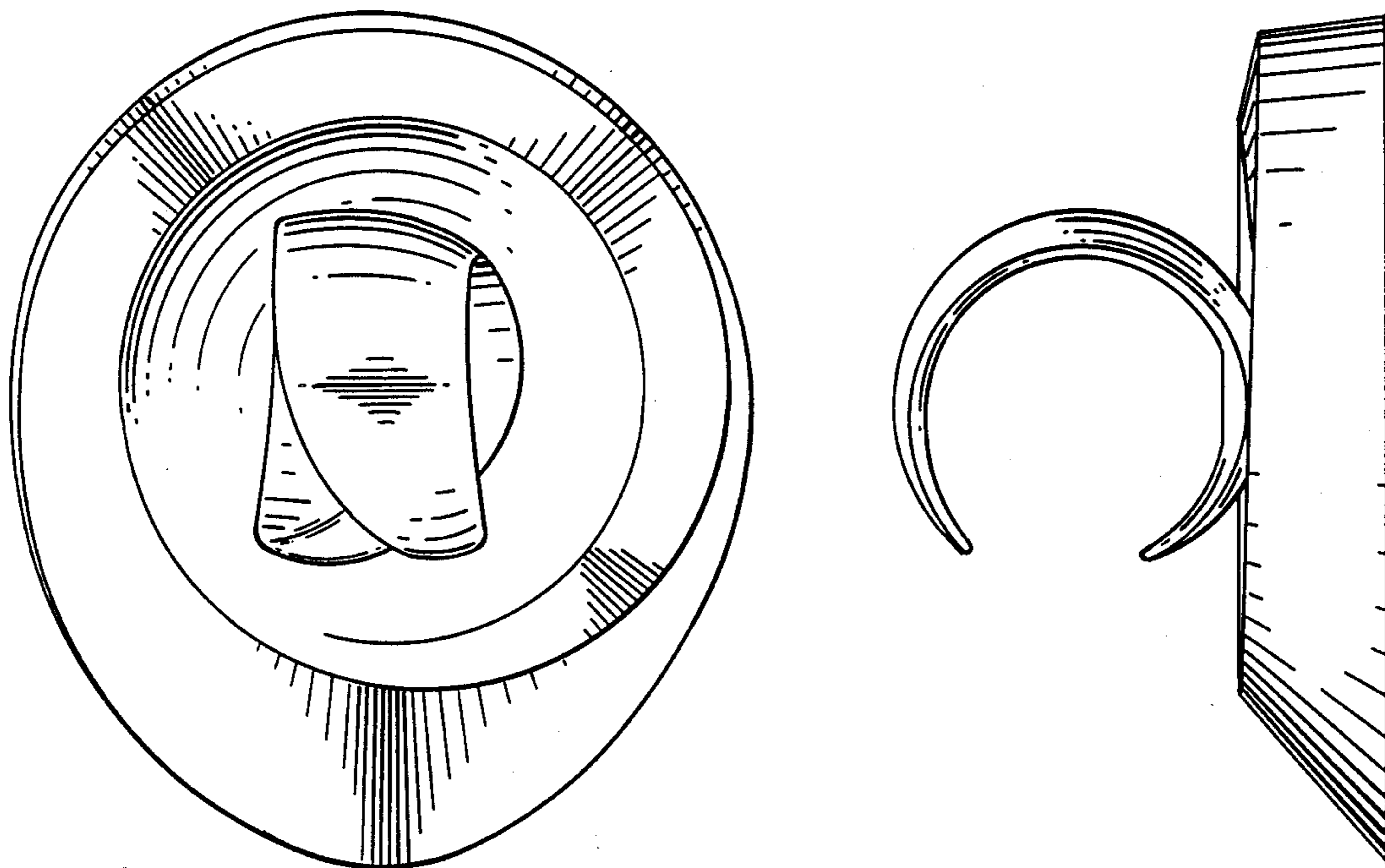
*Primary Examiner*—James R. Largen  
*Attorney, Agent, or Firm*—Kinzer, Plyer, Dorn, McEachran & Jambor

[57] **CLAIM**

The ornamental design for a combined shower control handle and escutcheon, as shown and described.

**DESCRIPTION**

FIG. 1 is a front view of a combined shower control handle and escutcheon showing our new design; FIG. 2 is a left side view thereof; FIG. 3 is a right side view thereof; FIG. 4 is a top view thereof; and FIG. 5 is a bottom view thereof.



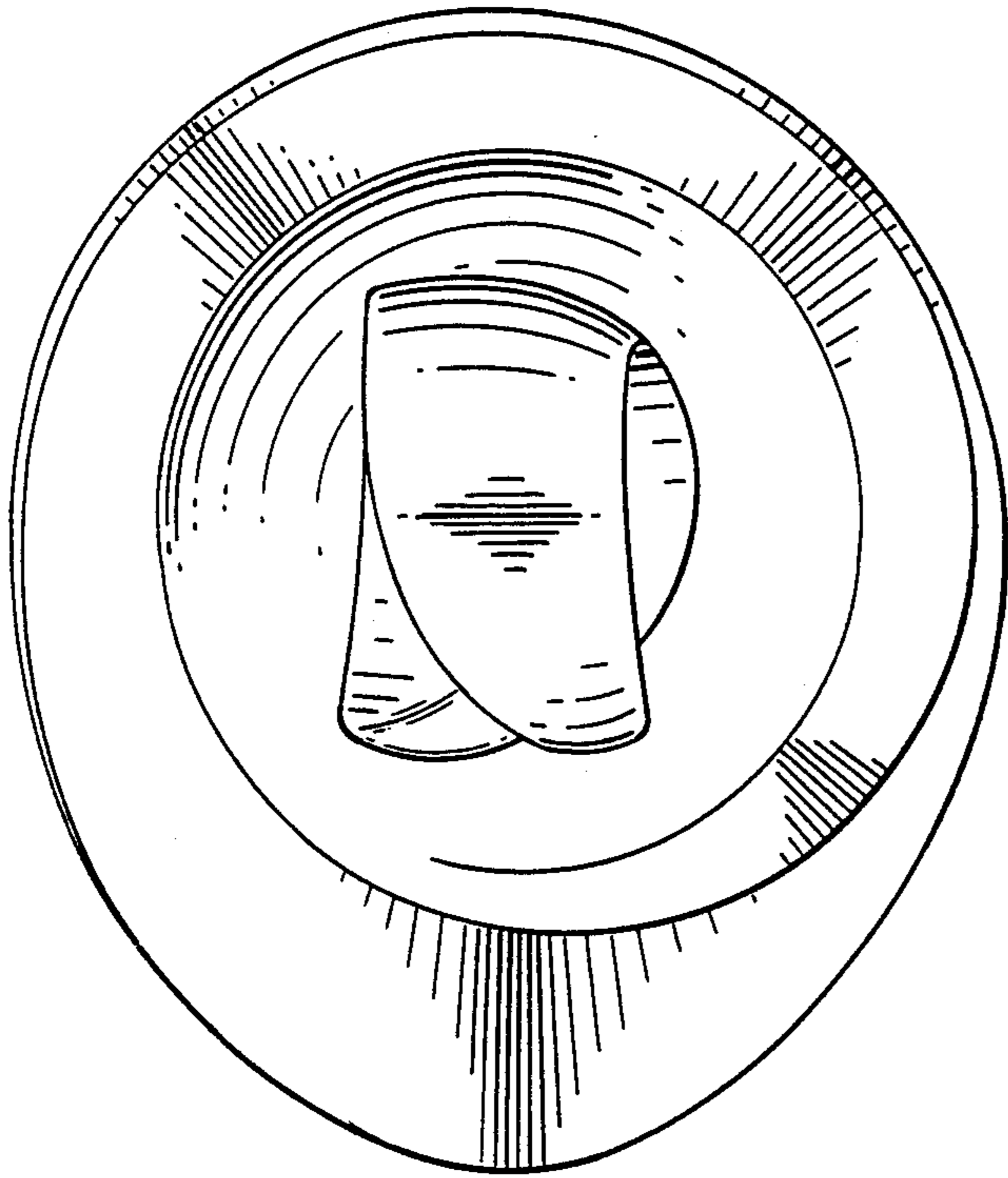


FIG. 1.

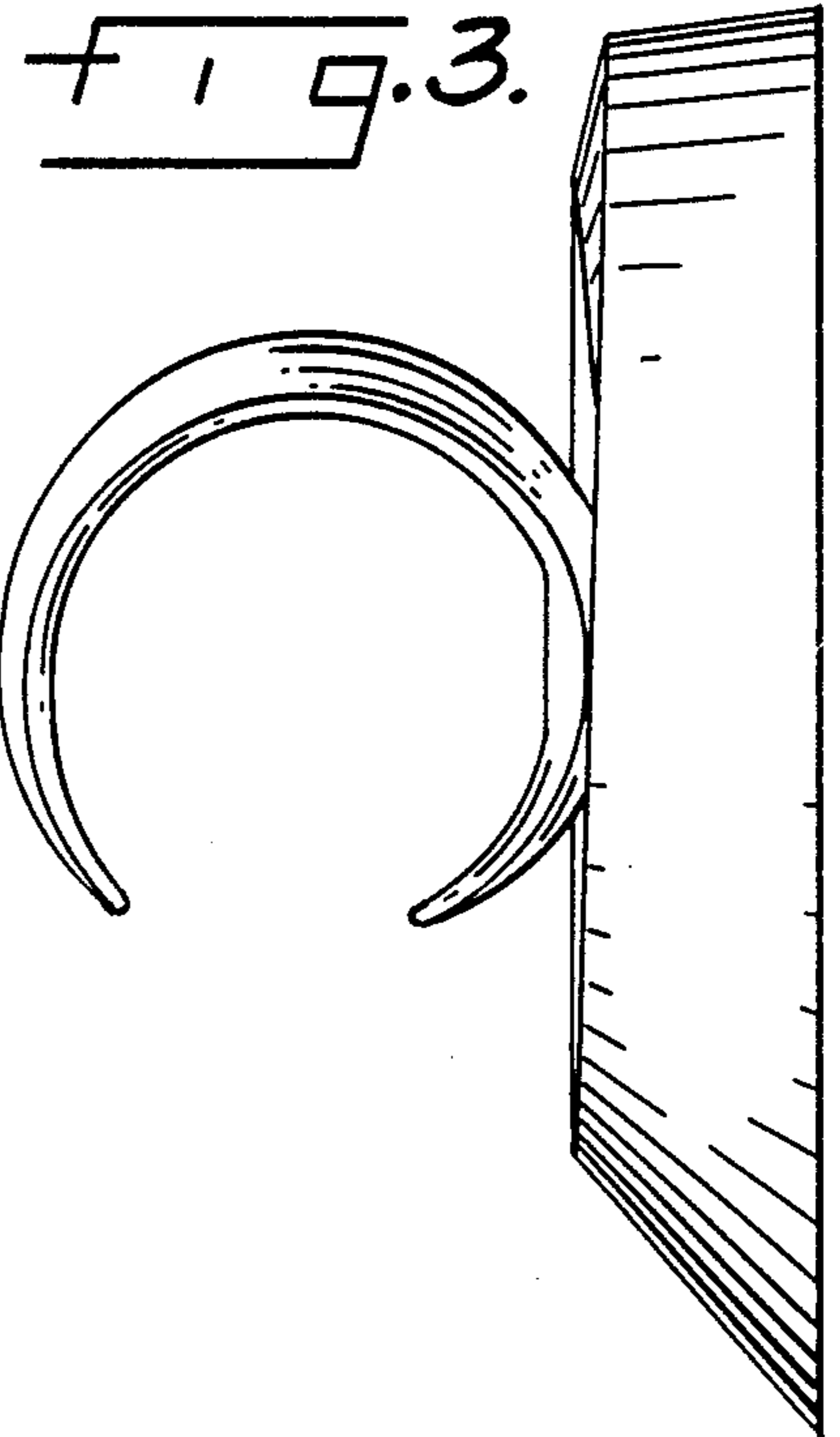


FIG. 3.

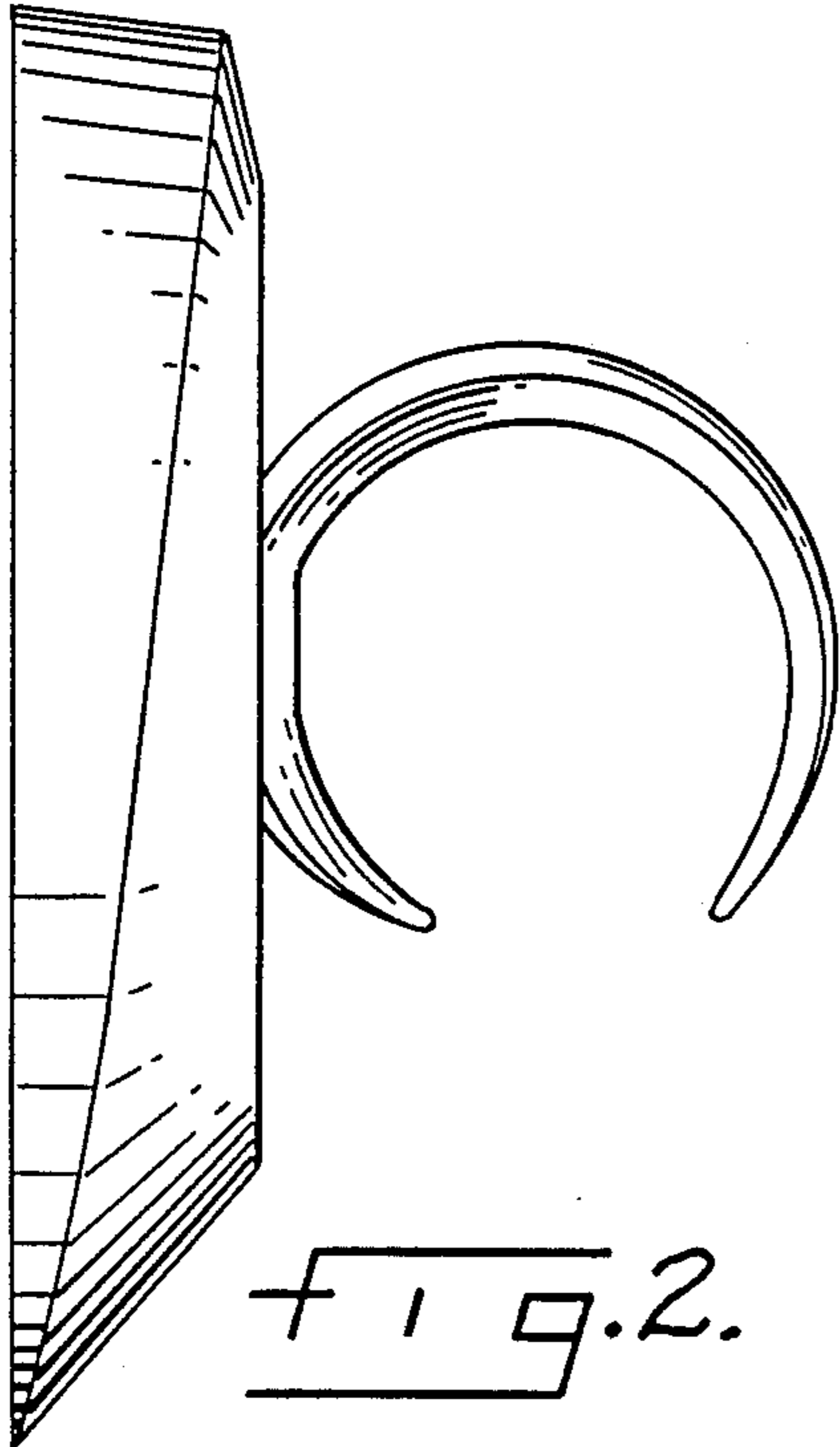


FIG. 2.

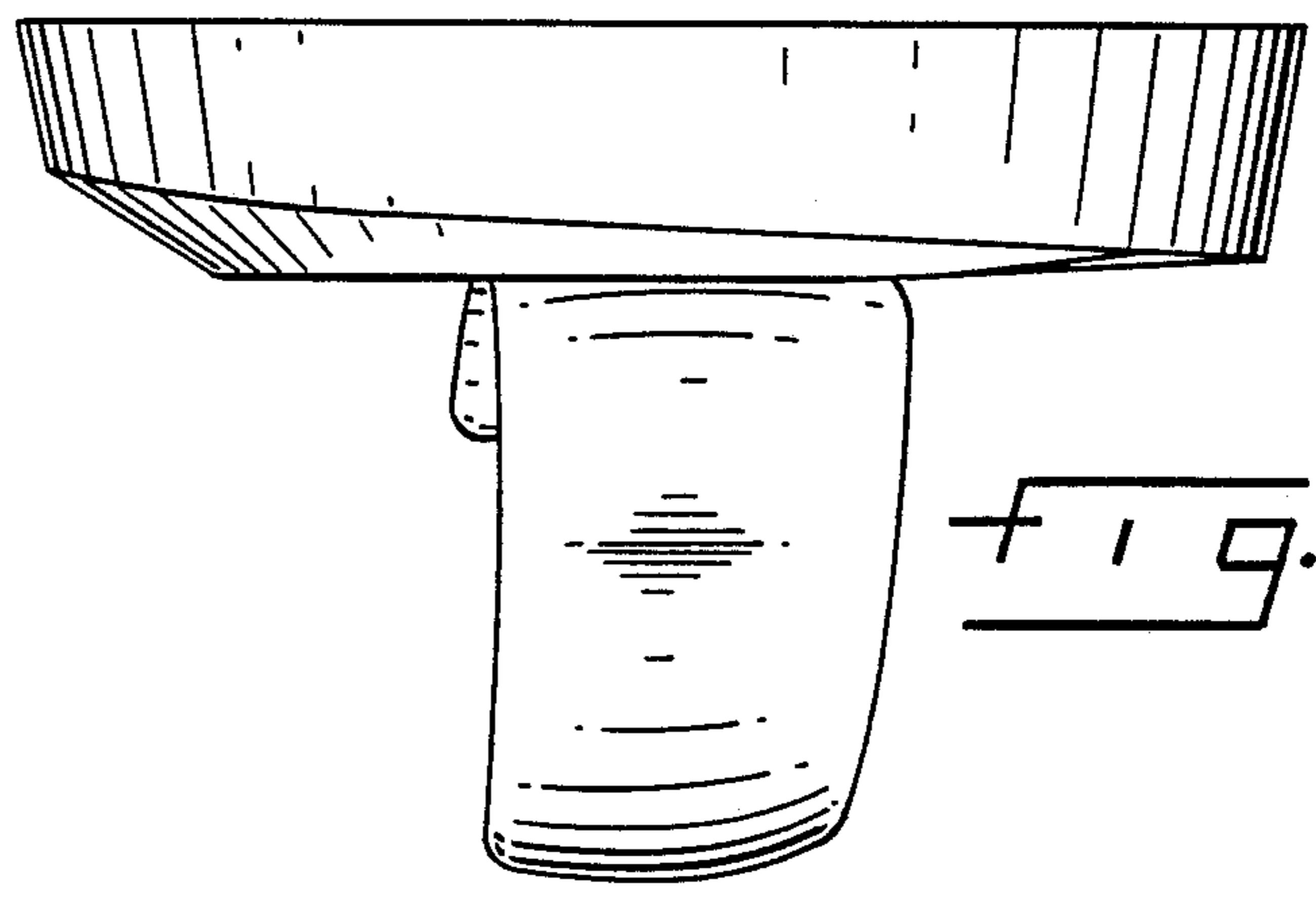


FIG. 4.

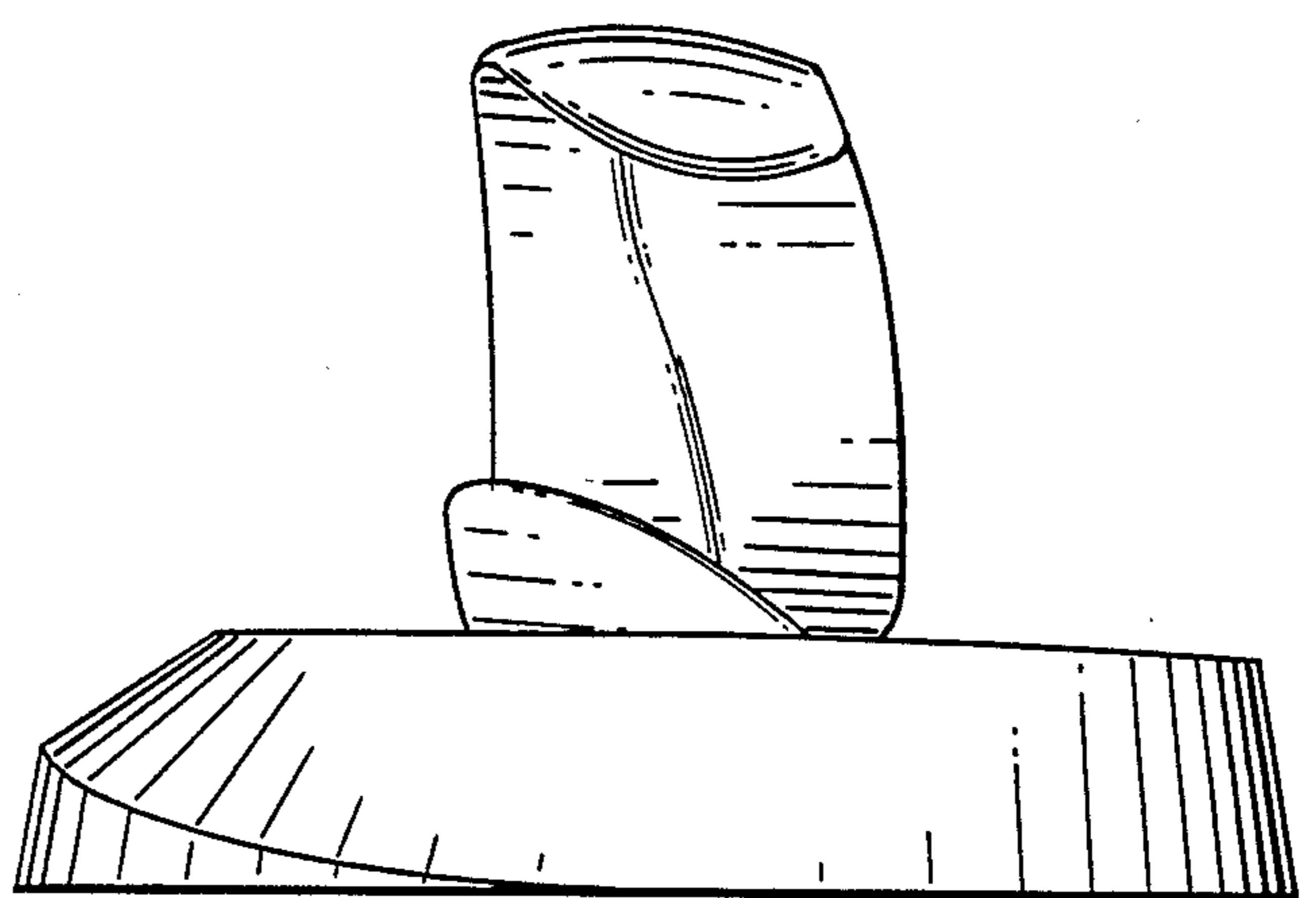


FIG. 5.