

[54] COMBINED CLIMBER AND SLIDE FOR CHILDREN

[75] Inventor: Kevin R. Aker, Hudson, Ohio

[73] Assignee: Little Tikes Inc., Hudson, Ohio

[\*\*] Term: 14 Years

[21] Appl. No.: 919,690

[22] Filed: Oct. 16, 1986

[52] U.S. Cl. .... D21/244

[58] Field of Search ..... D21/243, 244, 245; 272/56.5 R, 113

[56] References Cited

U.S. PATENT DOCUMENTS

D. 222,156	10/1971	Miller	.....	D21/245
D. 251,262	3/1979	Barrett et al.	.....	D21/244
D. 252,645	8/1979	Gale	.....	D21/244
D. 281,985	12/1985	Spirk, Jr. et al.	.....	D21/244
2,620,185	12/1952	Harding	.....	272/113
3,516,659	6/1970	Kleid	.....	272/56.5 R
3,561,757	2/1971	Schillig	.....	272/113
4,063,725	12/1977	Snyder	.....	272/113

OTHER PUBLICATIONS

ABC catalog, p. 106, "Portable Rotoplay"; ABC School Supply Inc., 6500 Peachtree Ind. Blvd., Norcross, GA 30091; 1986.

Form Publication; 1964, p. 6.

Flaghouse catalog-p. 1, "Climbing Systems"; Flag-

house Inc., 18 West 18th St. New York, NY 10011. Publ. 1986.

FTA catalog, p. 25, Educational Teaching Aids, 159 West Kinzie Street, Chicago, Ill. 60610, Publ. 1985.

The Children's Factory catalog, p. 9; The Children's Factory, 505 N. Kirkwood Rd., St. Louis, MO, 63122 Pub. 1986.

Kaplan catalog, p. 64-65; Kaplan School Supply Corp., 1310 Lewisville, Clemmons Road, Lewisville, NC 27023. Pub. 1986.

Learning Products catalog, "Shopland"; Address Unknown. Publ. Date Unknown.

Primary Examiner—Melvin B. Feifer

Assistant Examiner—William J. Krawczewicz

Attorney, Agent, or Firm—Richard B. O'Planick

[57] CLAIM

The ornamental design for combined climber and slide for children, as shown and described.

DESCRIPTION

FIG. 1 is a front perspective view of combined climber and slide for children embodying my new design.

FIG. 2 is a top plan view thereof.

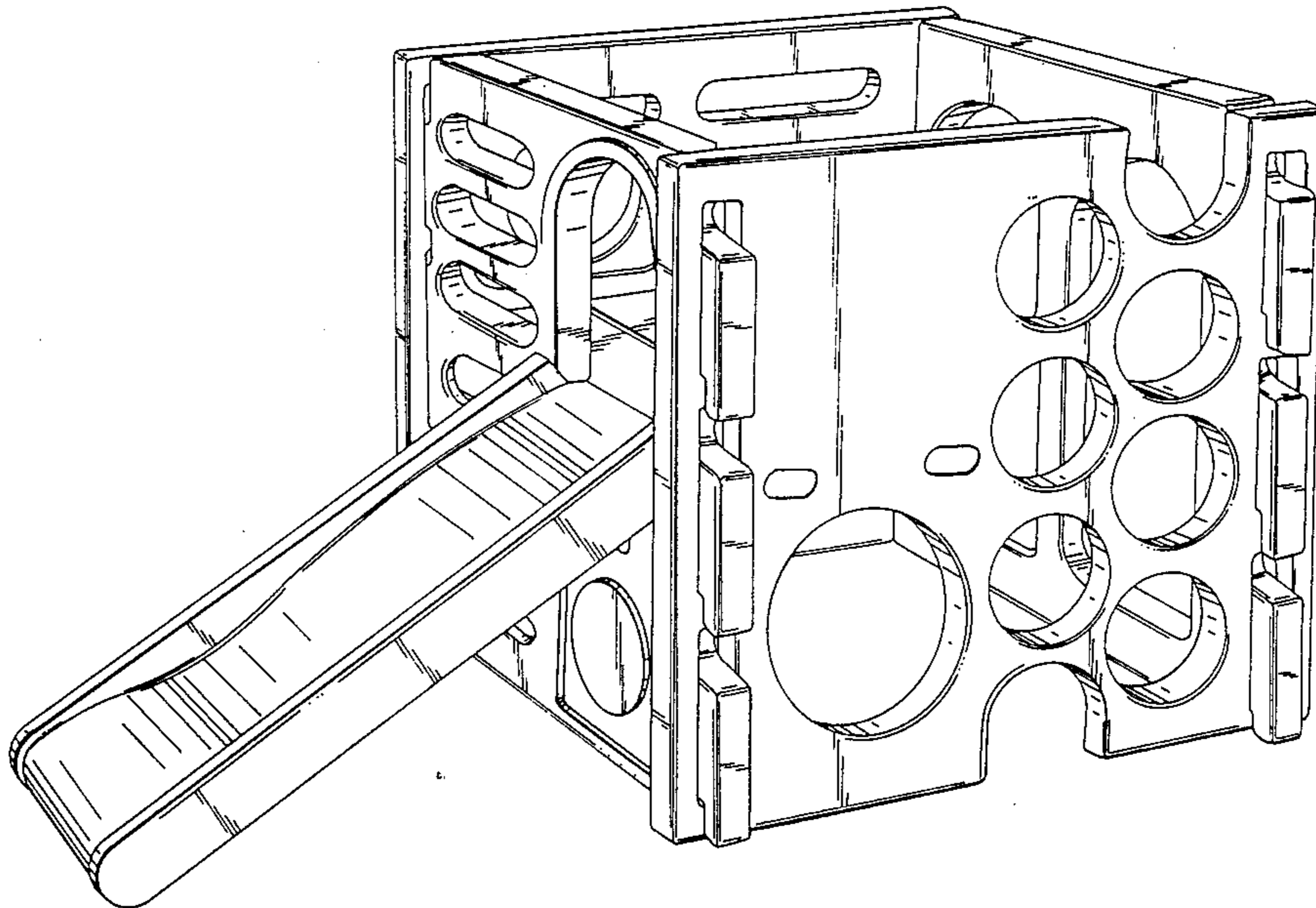
FIG. 3 is a left side elevational view thereof.

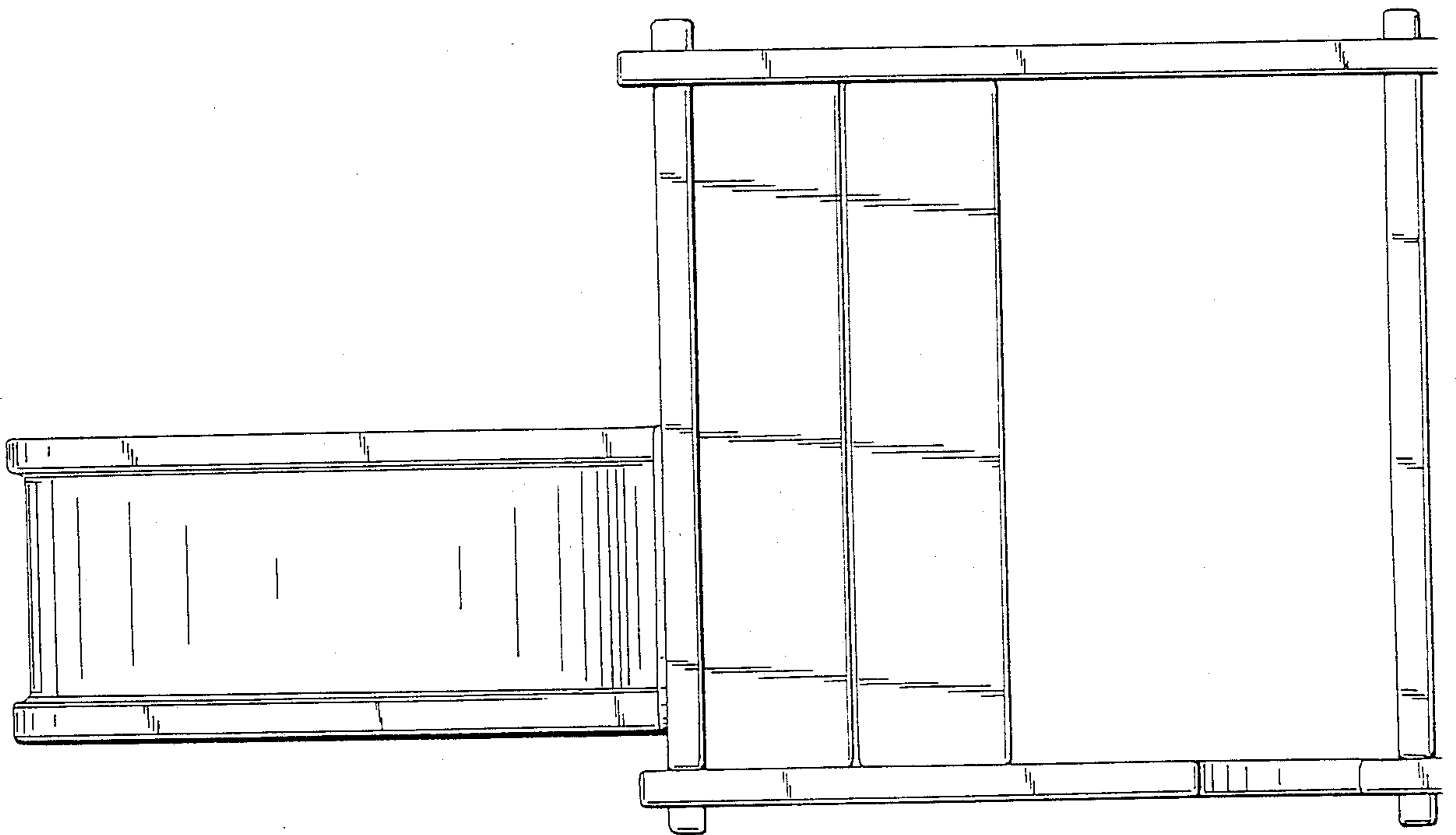
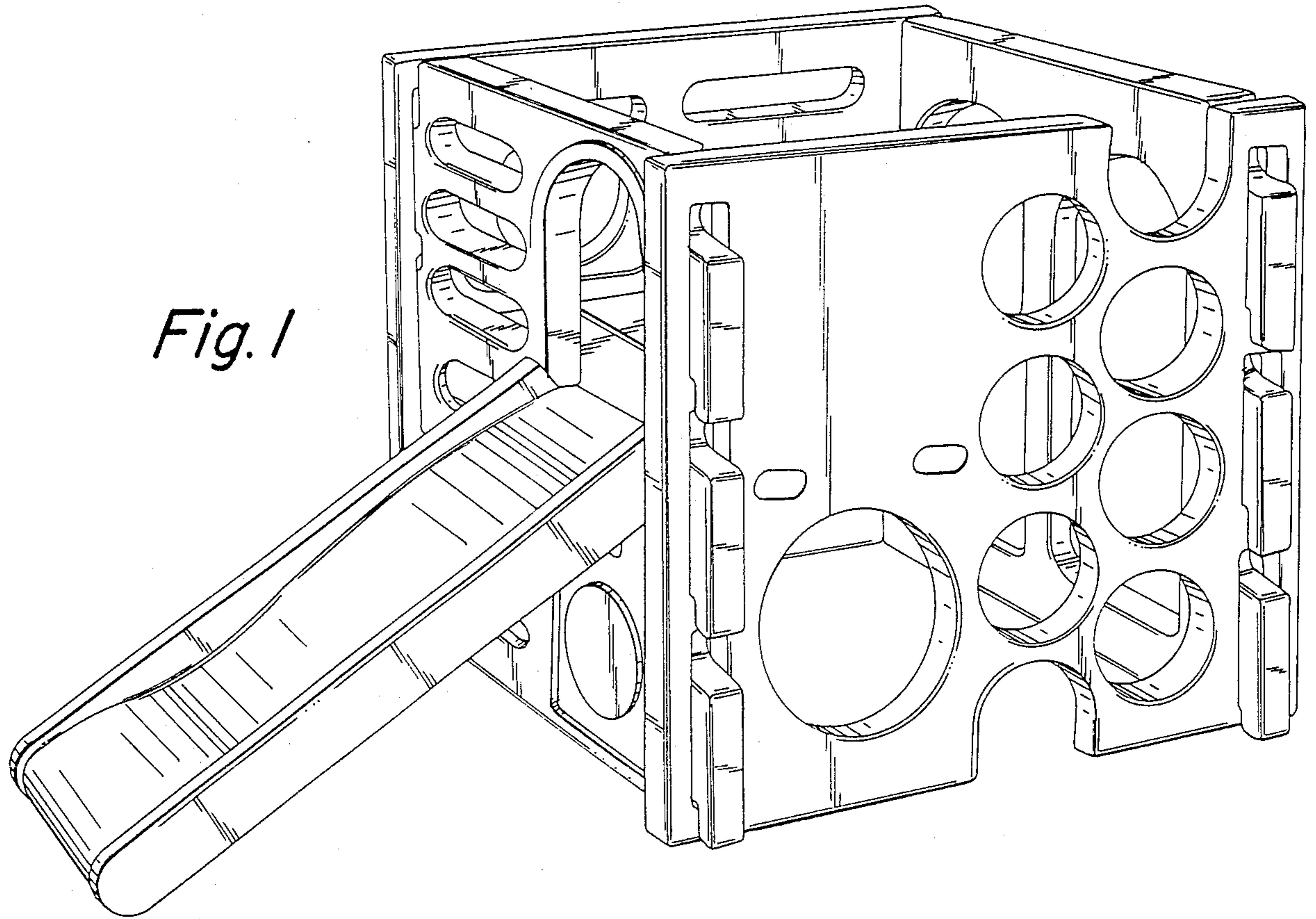
FIG. 4 is a front elevational view thereof.

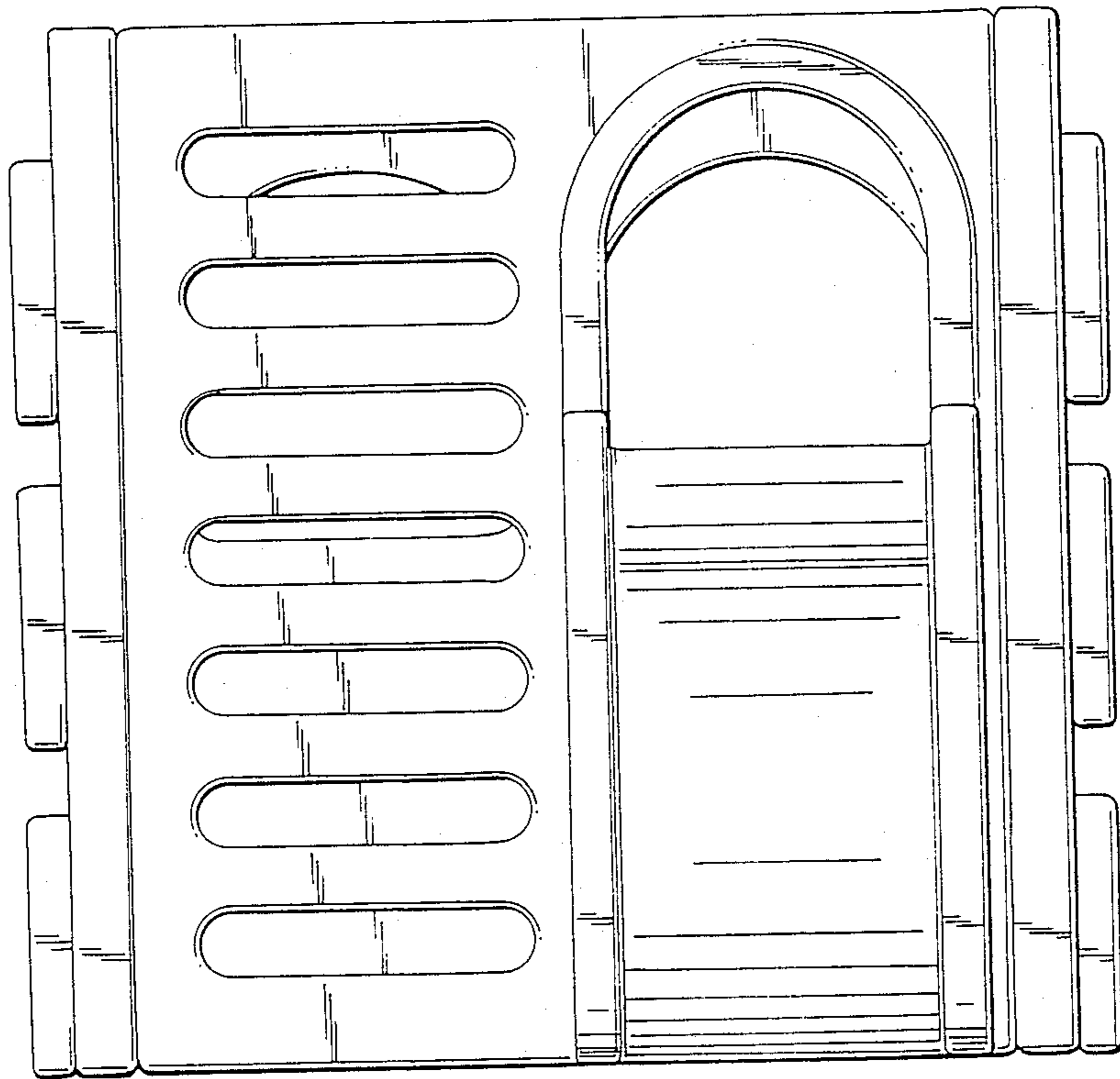
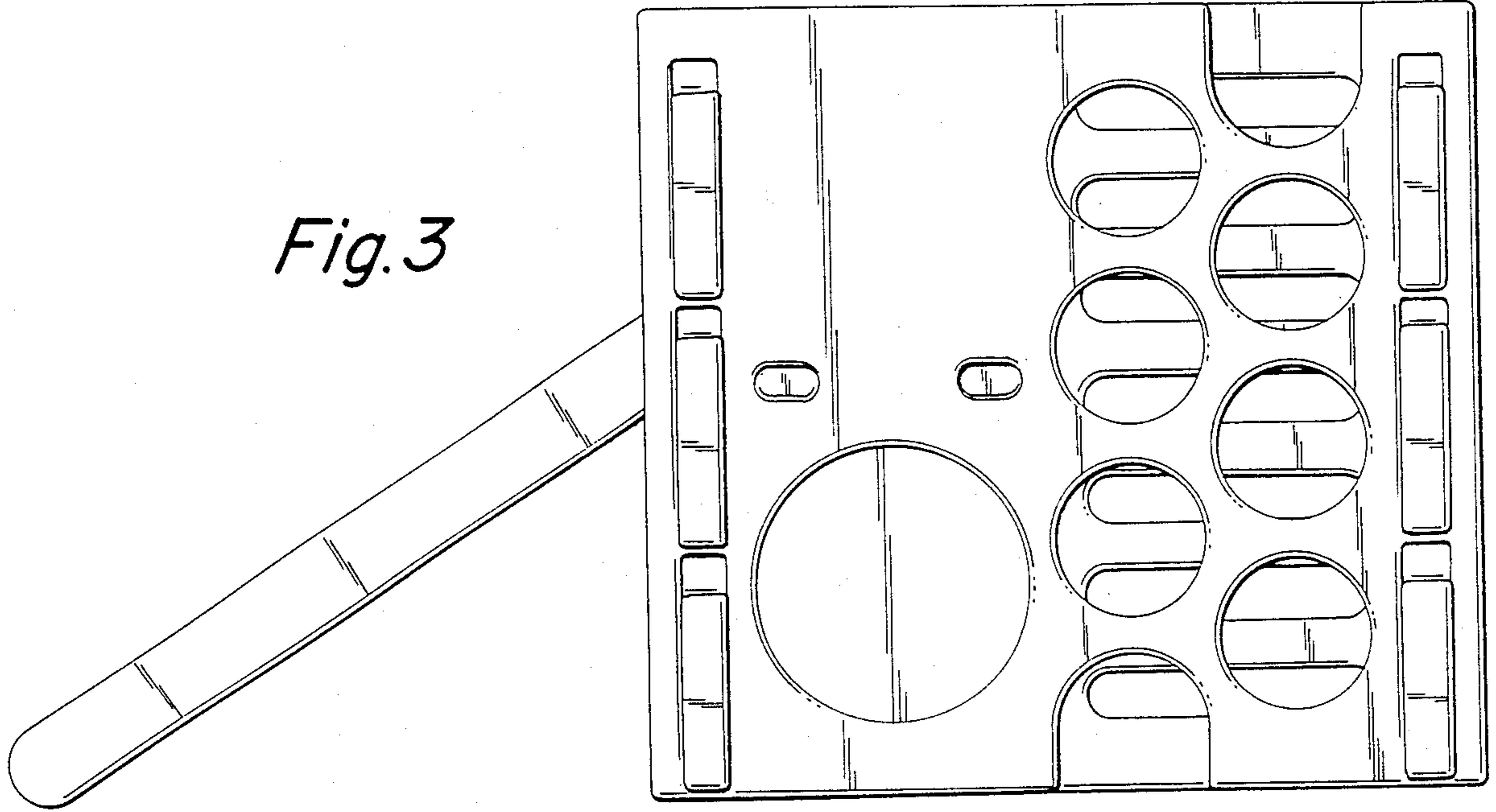
FIG. 5 is a rear elevational view thereof.

FIG. 6 is a right side elevational view thereof.

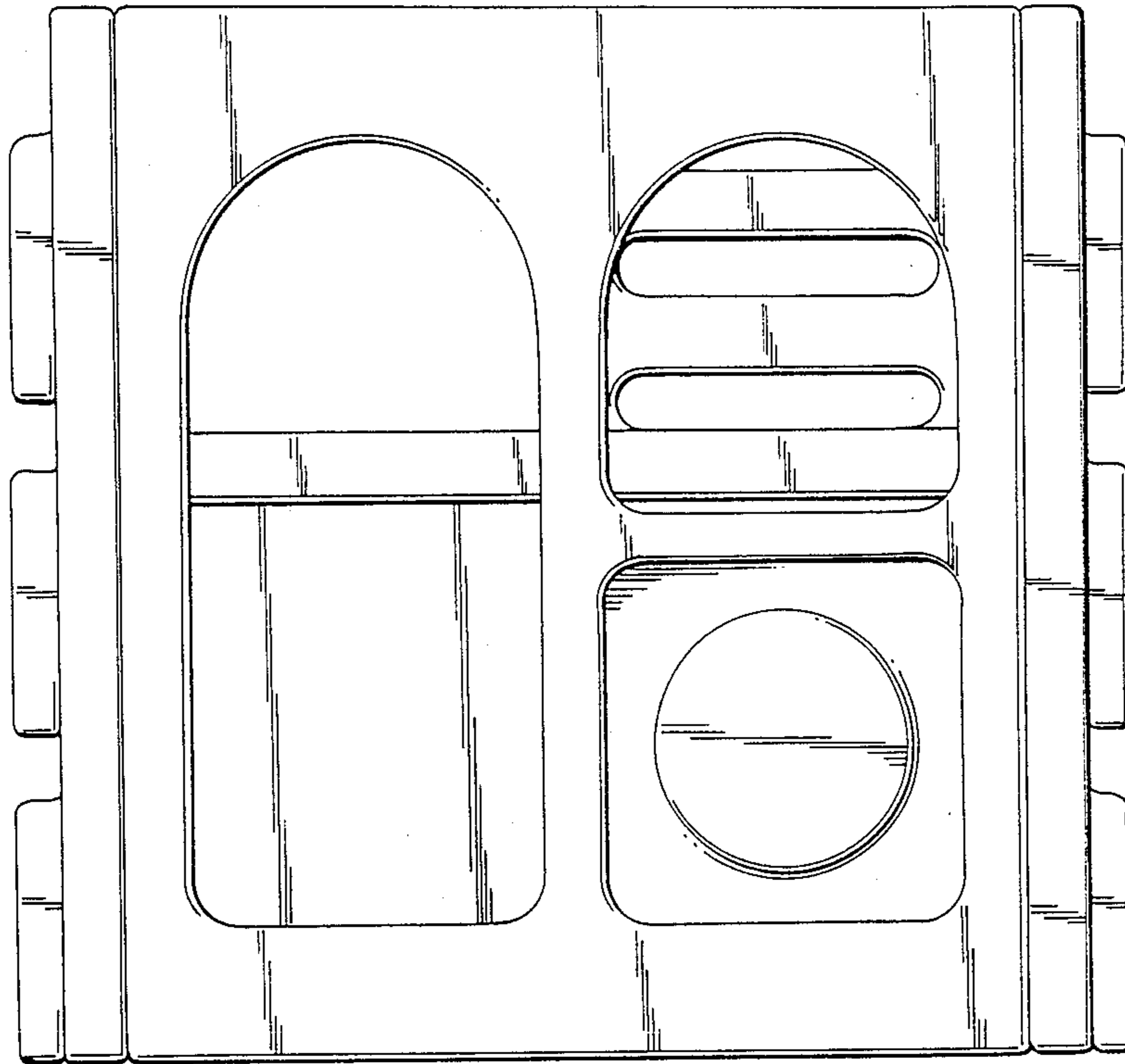
FIG. 7 is a bottom plan view thereof.



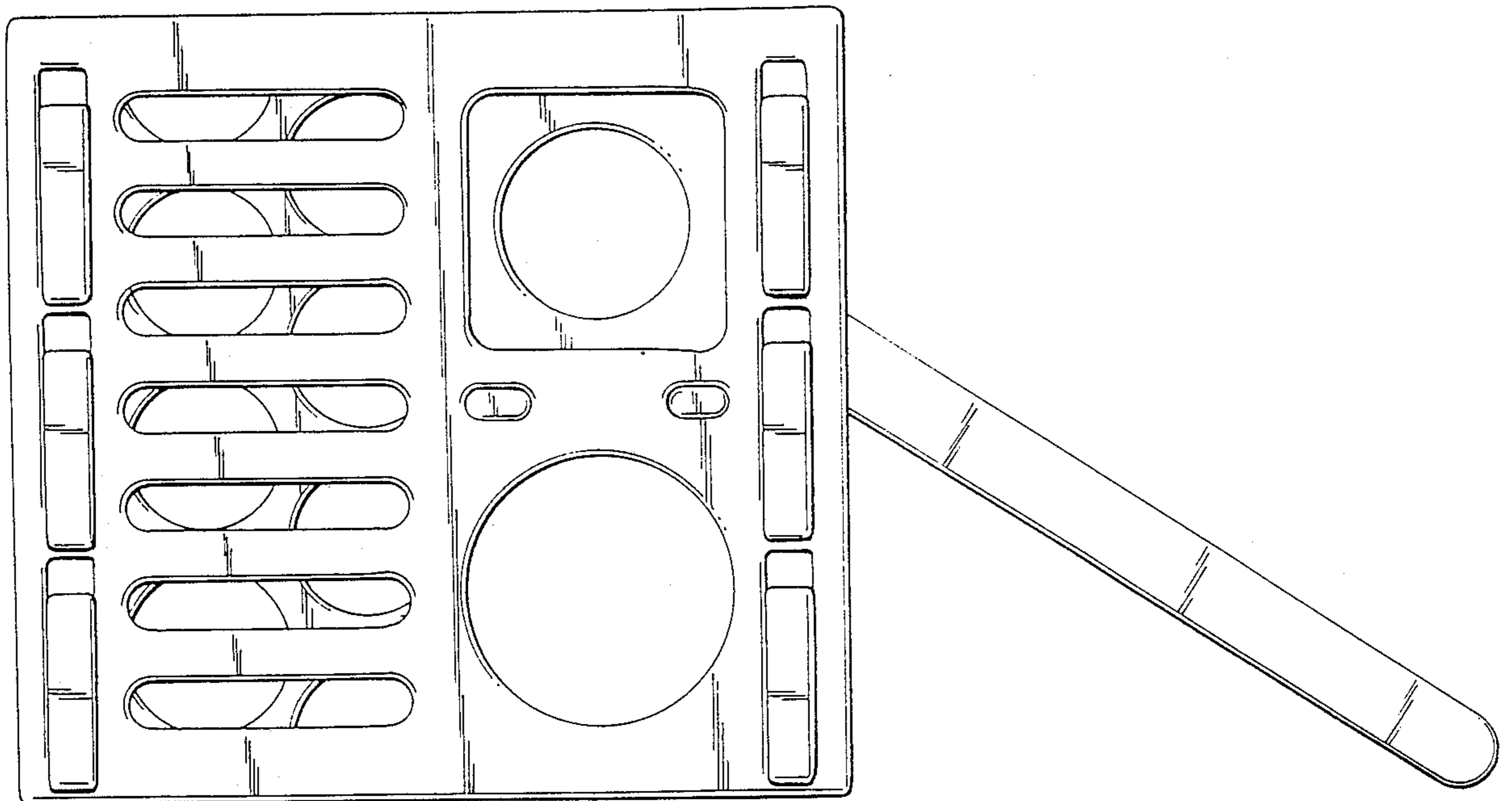




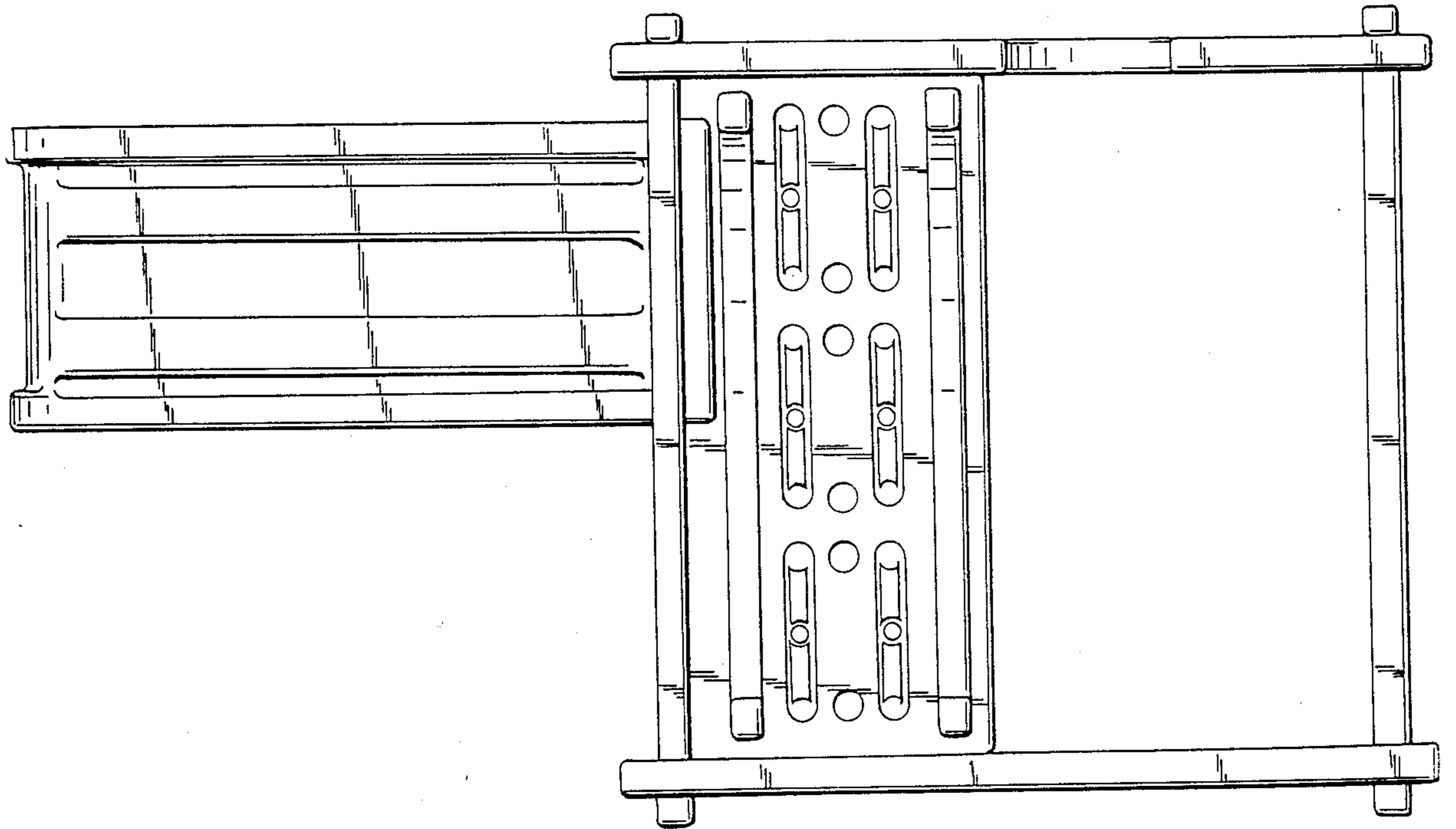
*Fig. 4*



*Fig. 5*



*Fig. 6*



*Fig. 7*