

[54] **GOLF PUTTER HEAD**

[76] **Inventor: Robert E. Burns, 72 Ocean Vista,
Newport Beach, Calif. 92660**

[**] **Term: 14 Years**

[21] **Appl. No.: 905,053**

[22] **Filed: Sep. 8, 1986**

[52] **U.S. Cl. D21/217**

[58] **Field of Search D21/214-220;
273/164, 167-175**

[56] **References Cited**

U.S. PATENT DOCUMENTS

D. 198,383	6/1964	Butler	D21/219
D. 248,181	6/1978	Cervantes	D21/219
645,944	3/1900	Dalgleish	273/174
1,531,821	3/1925	Scott	.	
2,445,718	7/1948	Sternberg et al.	.	
3,085,804	4/1963	Pieper	.	
4,332,388	6/1982	Crow	.	
4,498,673	2/1985	Swanson	.	

4,529,202 7/1985 Jacobson .

FOREIGN PATENT DOCUMENTS

214224 7/1988 United Kingdom .

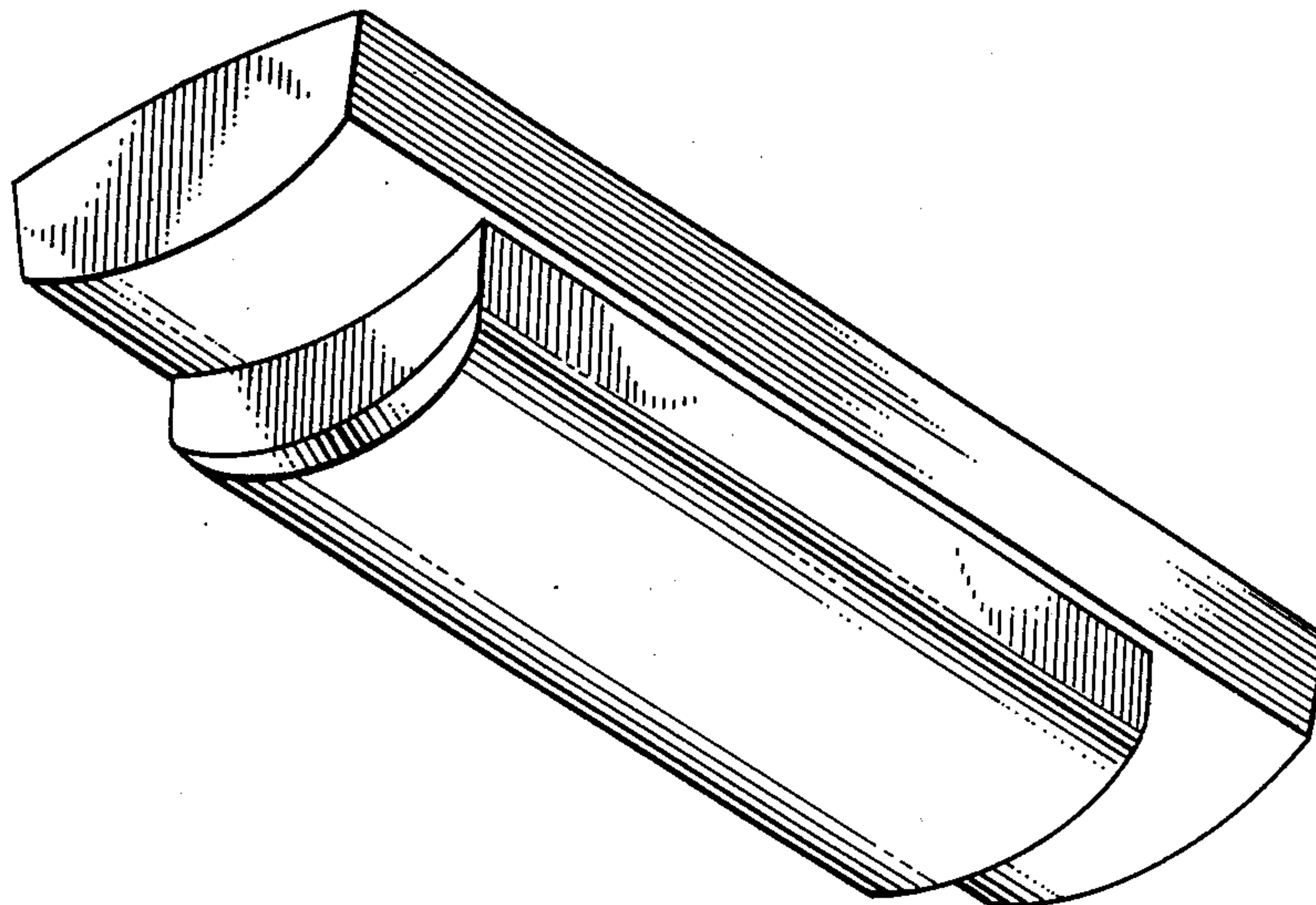
Primary Examiner—Melvin B. Feifer
Attorney, Agent, or Firm—Frederick E. Mueller

[57] **CLAIM**

The ornamental design for a golf putter head, as shown and described.

DESCRIPTION

FIG. 1 is a perspective view of a golf putter head embodying my new design;
FIG. 2 is a front elevational view, the opposite side rear elevational view being a mirror image thereof;
FIG. 3 is an end elevational view, the opposite end view being a mirror image thereof;
FIG. 4 is a top plan view; and
FIG. 5 is a bottom plan view. The location of and means of attachment of the golf putter head to a club shaft form no part of the claimed design and, accordingly, are not shown.



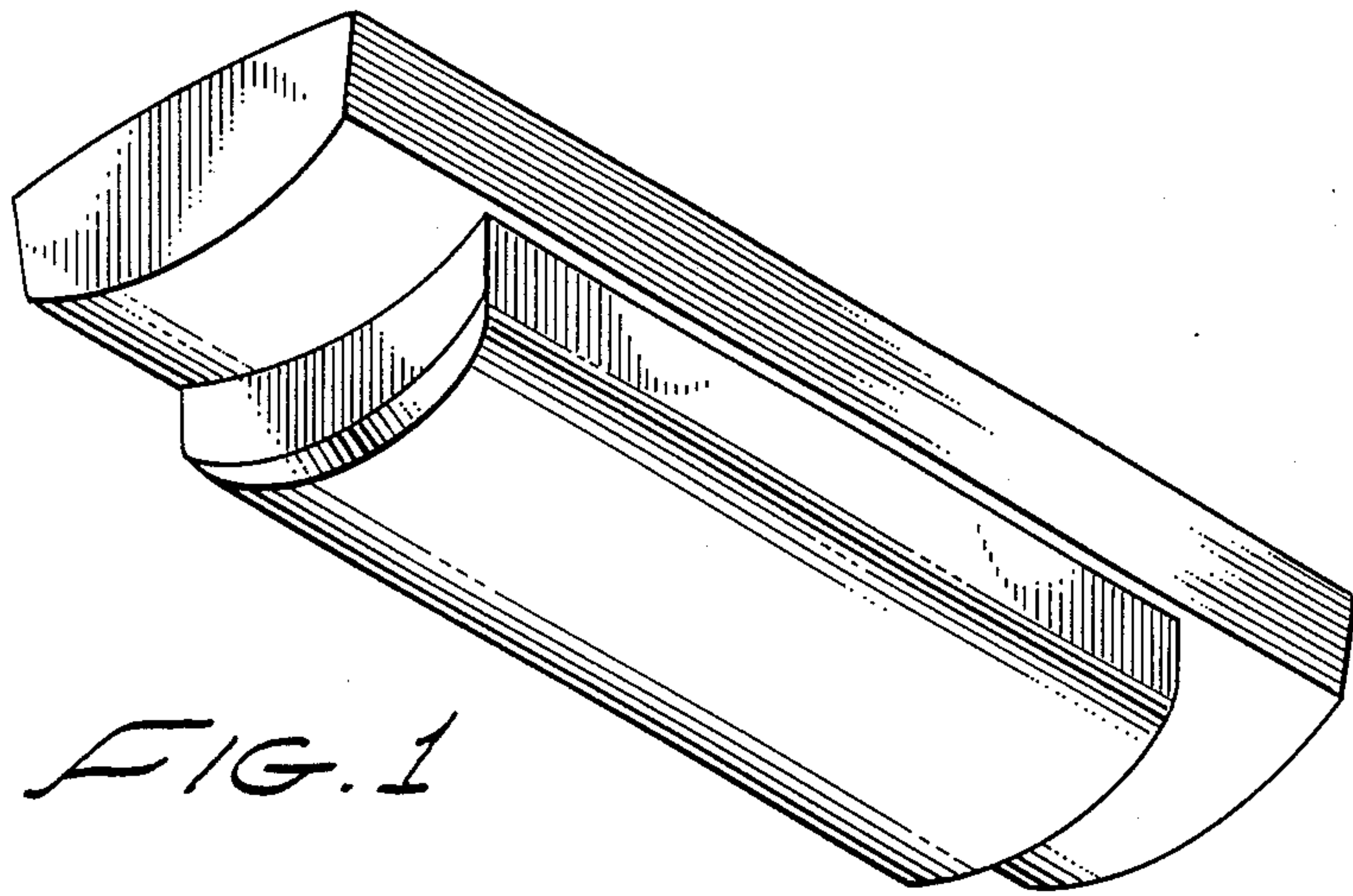


FIG. 1

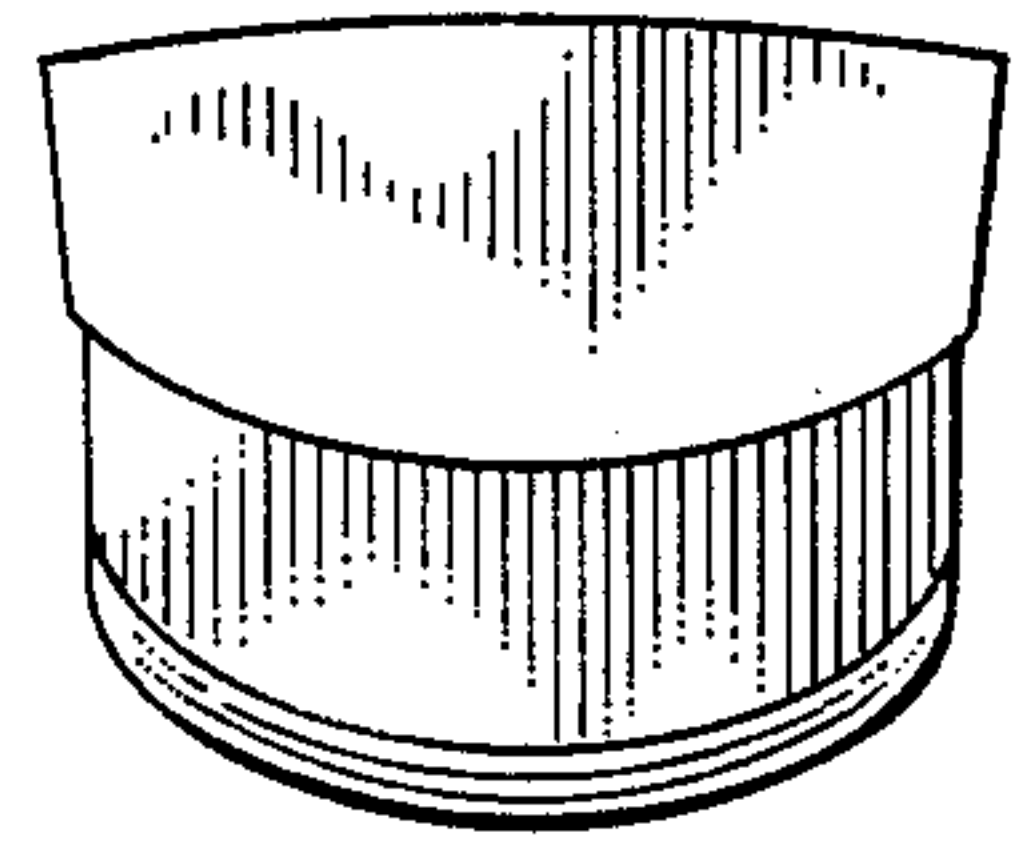


FIG. 3

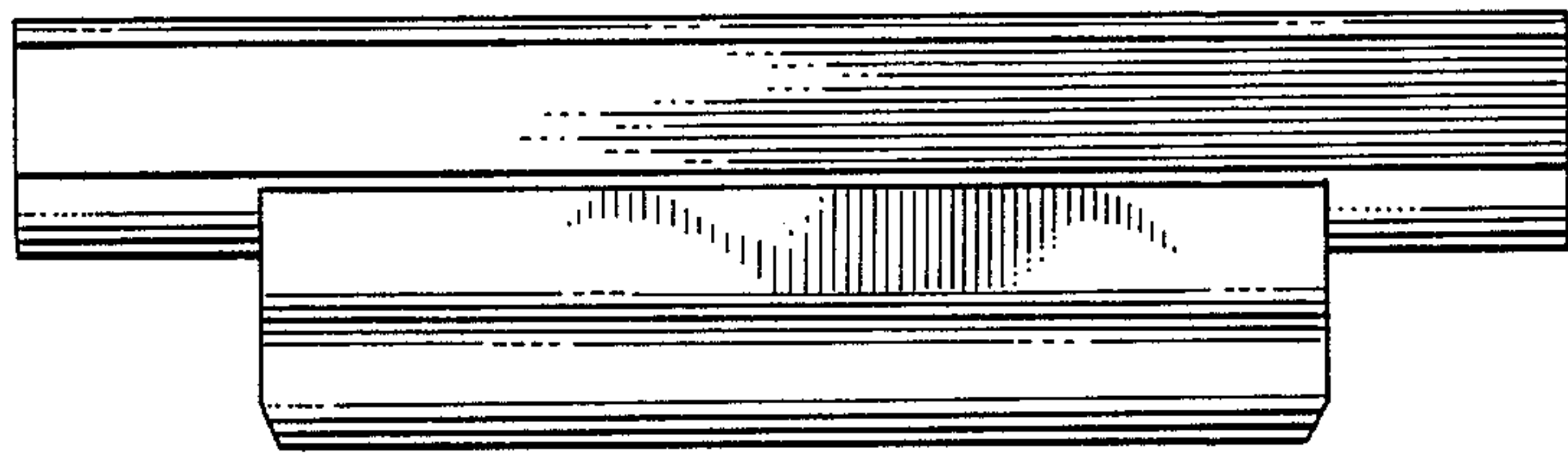


FIG. 2

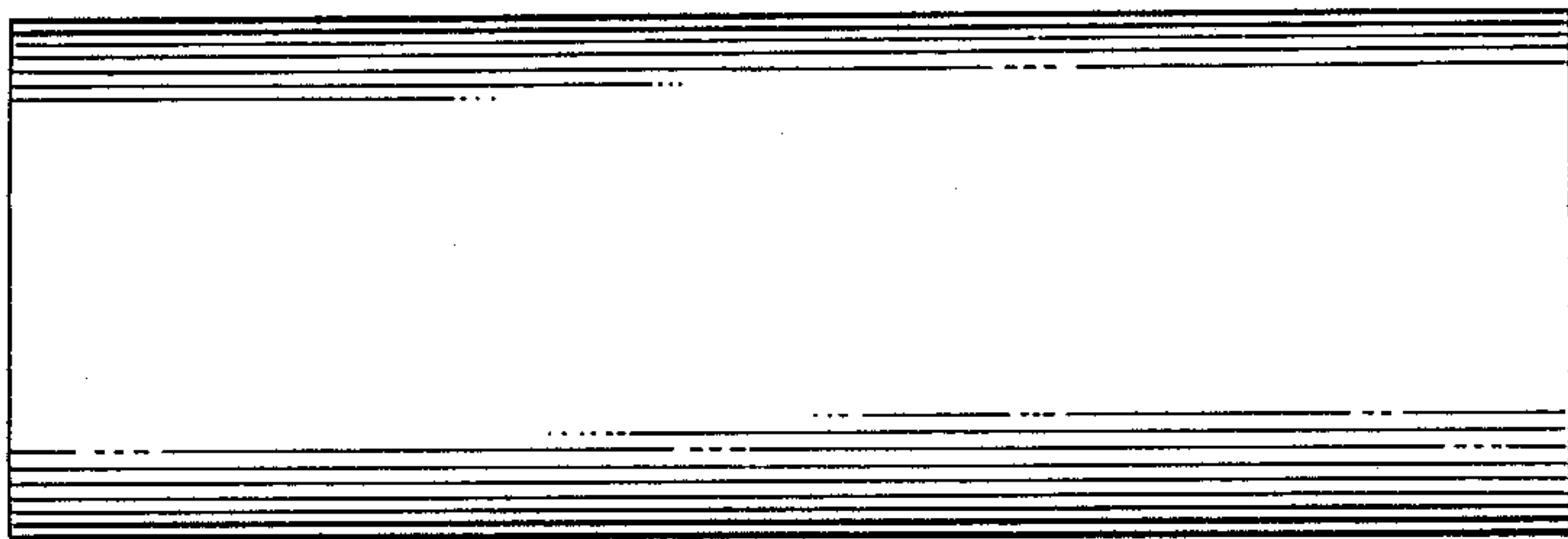


FIG. 4

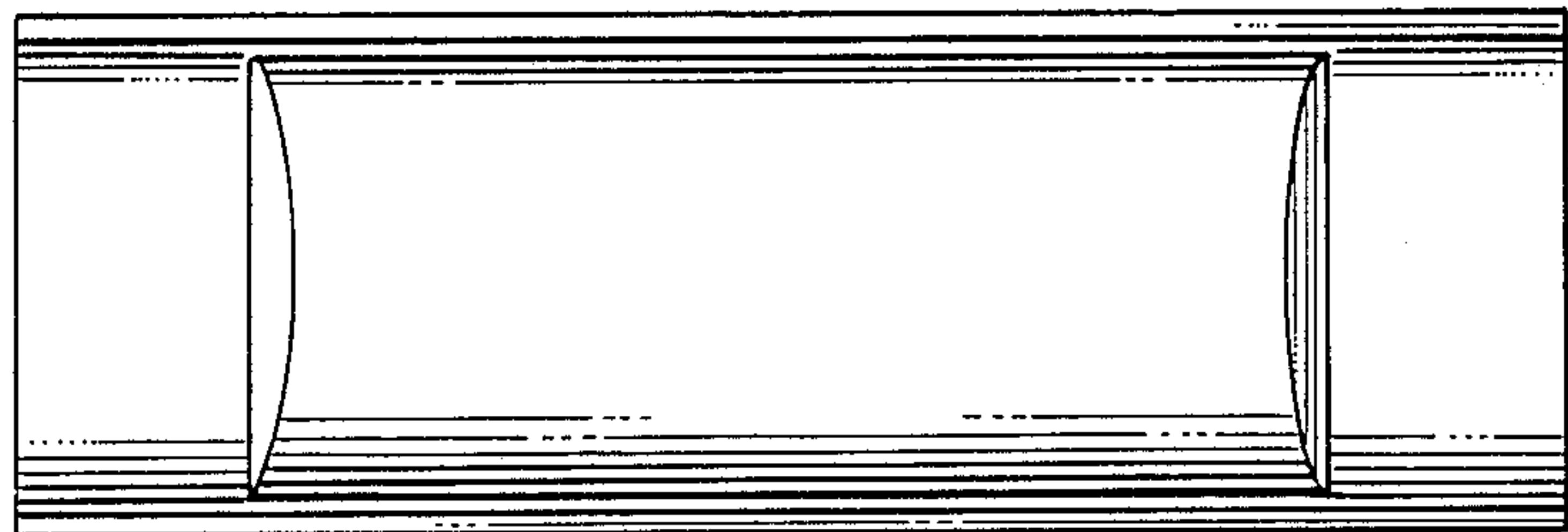


FIG. 5