

[54] **TOY GUN**

[76] **Inventor: Yam K. Wong, 1-7 Kin Hong Street,
19th Floor, Flat B, Che Wah
Industrial Building, Kwai Chung,
Kowloon, Hong Kong**

[**] **Term: 14 Years**

[21] **Appl. No.: 943,920**

[22] **Filed: Dec. 18, 1986**

[30] **Foreign Application Priority Data**

Sep. 12, 1986 [GB] United Kingdom 1,036,688
[52] **U.S. Cl. D21/147**
[58] **Field of Search D21/145, 146, 147;
D22/103, 104; 446/473, 401; 124/56; 42/54-58**

[56]

References Cited

U.S. PATENT DOCUMENTS

D. 199,451 10/1964 Trupp et al. D21/147
D. 202,904 11/1965 Gilbert D21/147
2,585,942 2/1952 Juilfs D21/147
4,522,105 6/1985 Atchisson D22/104

Primary Examiner—Charles A. Rademaker
Attorney, Agent, or Firm—Cohen, Pontani & Lieberman

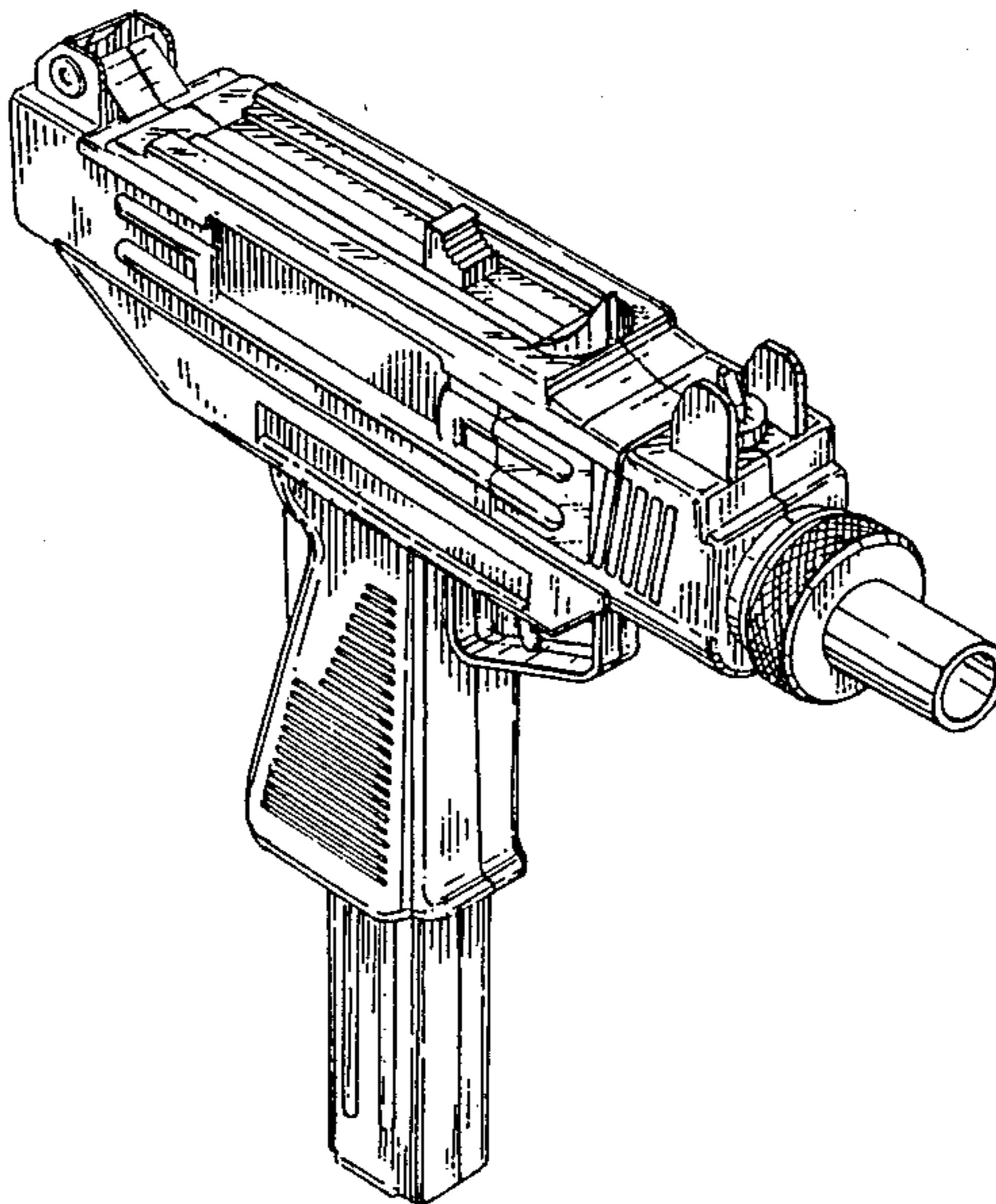
[57]

CLAIM

The ornamental design for a toy gun, as shown.

DESCRIPTION

FIG. 1 is a perspective view of a toy gun showing my new design;
FIG. 2 is a rear elevational view thereof;
FIG. 3 is a side elevational view of the side opposite that shown in FIG. 1; and,
FIG. 4 is a bottom plan view thereof.



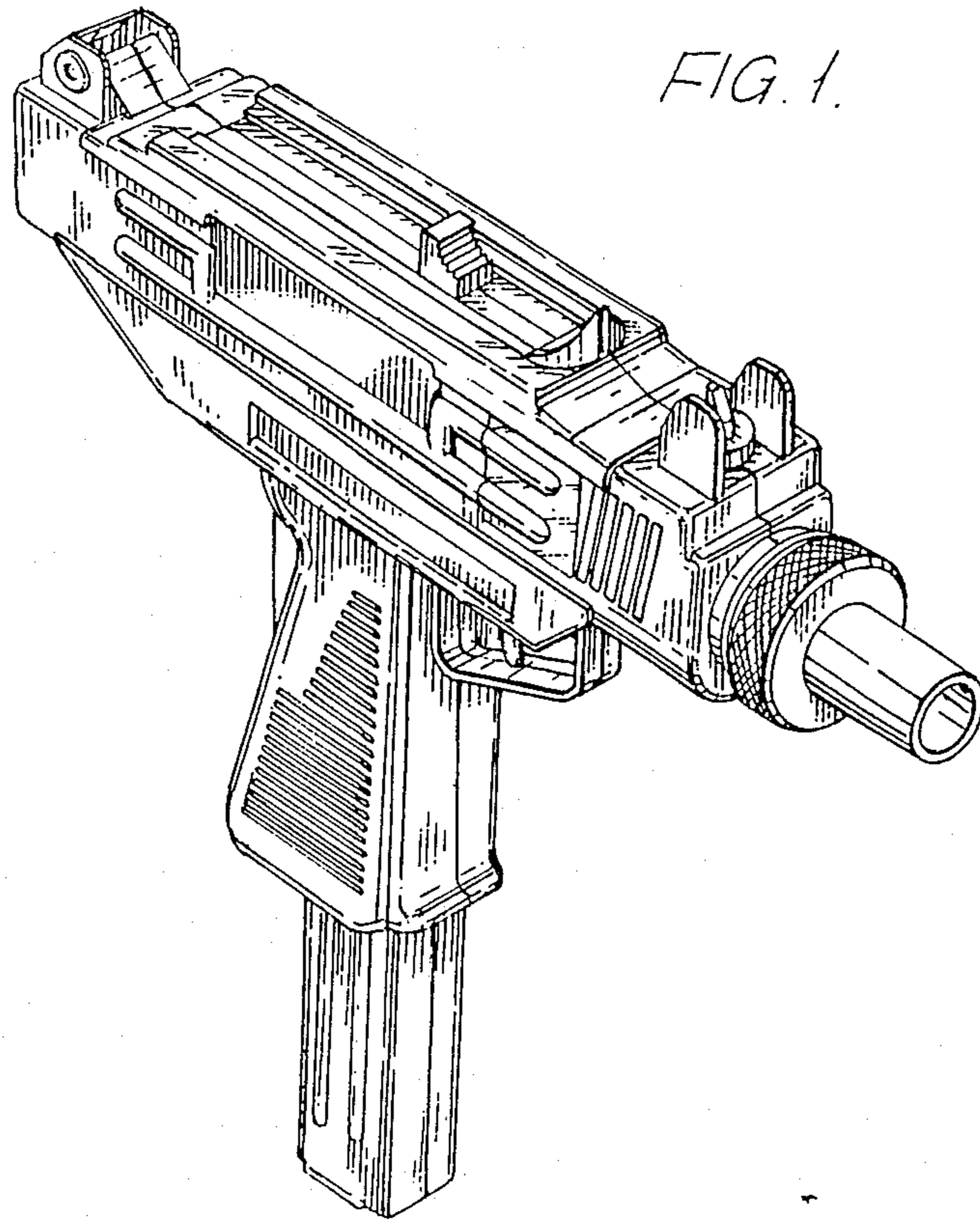


FIG. 1.

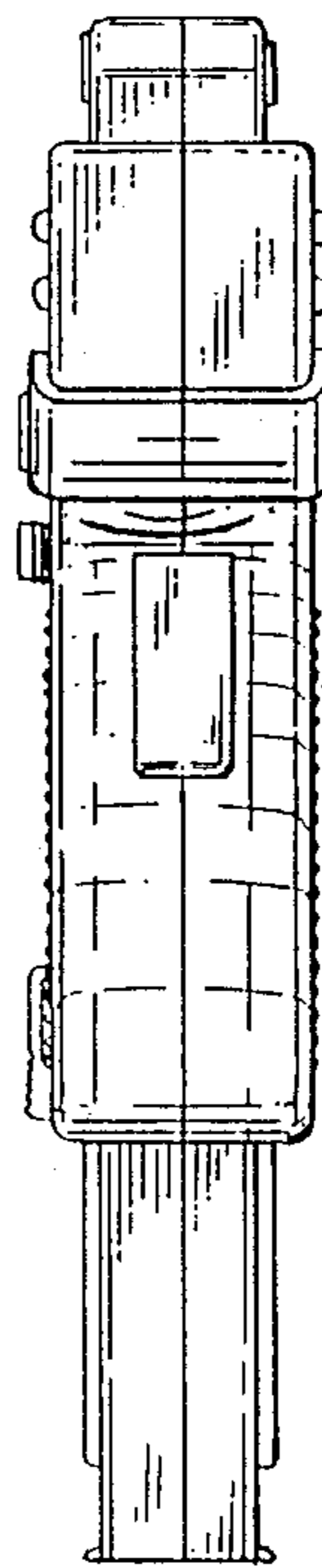


FIG. 2.

FIG. 3.

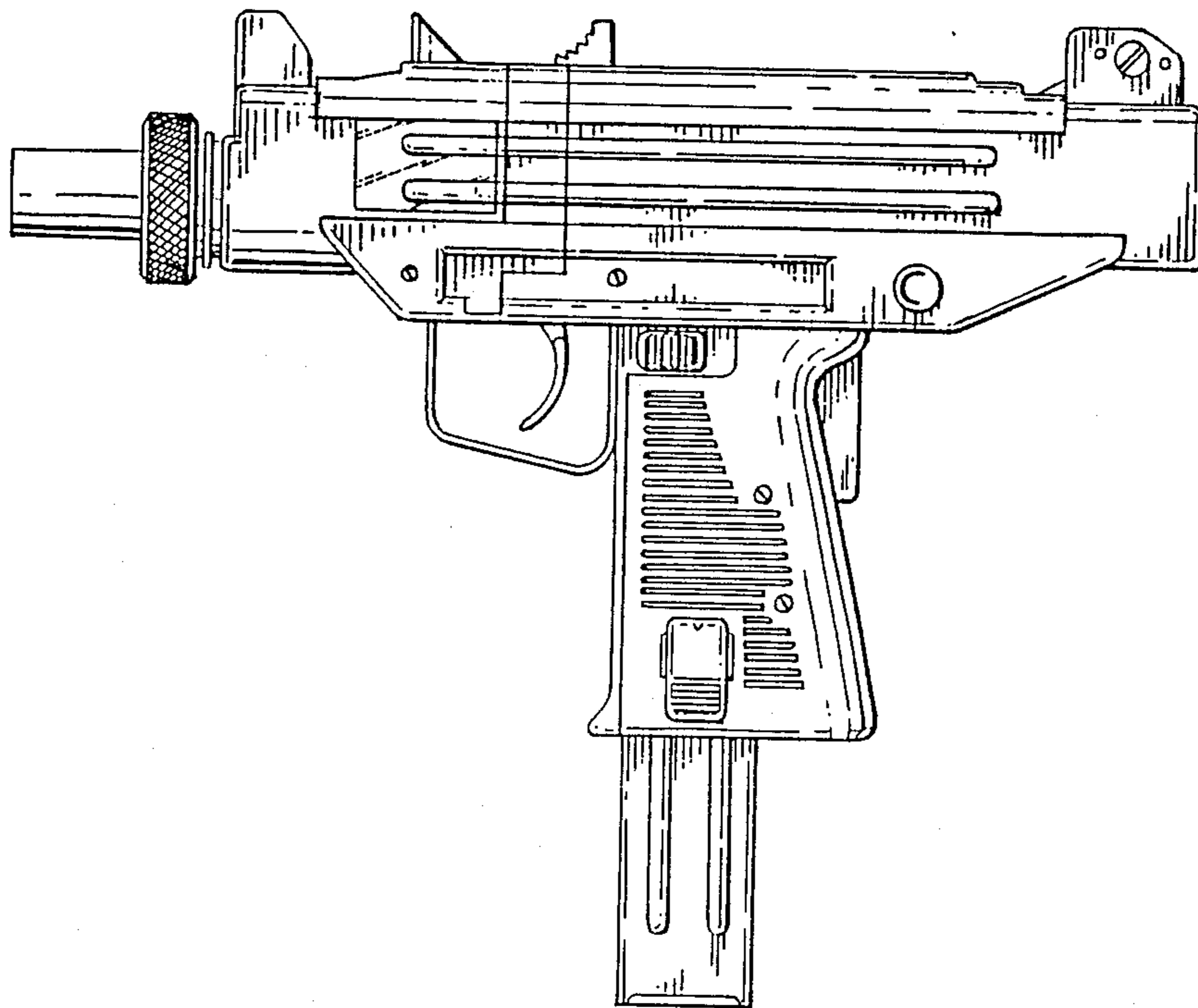


FIG. 4.

