

[54] **COMBINED DOCUMENT CLIP AND PENCIL GRIP**

3,977,744 8/1976 de Witt 312/231

[75] Inventor: **F. Carlos de Witt**, Long Beach, Calif.

[73] Assignee: **Romana Acosta**, Los Angeles, Calif.

[**] Term: **14 Years**

[21] Appl. No.: **841,738**

[22] Filed: **Mar. 5, 1986**

[52] U.S. Cl. **D19/65; D19/86; D19/88; D19/91**

[58] Field of Search **D19/88, 65, 86; 24/10, 24/11, 67.3, 67.5, 67.7, 67.9, 67.11, 67 R; 402/41**

[56] **References Cited**

U.S. PATENT DOCUMENTS

D. 267,809	2/1983	Lowery	D19/88
297,284	4/1884	Mudgett .	
302,774	7/1884	Polkinhorn .	
1,431,306	10/1922	Horwitz	24/67.5
2,417,879	3/1947	Merritt	281/44
2,589,889	3/1952	Stegeman	24/67.5
2,850,296	9/1958	Ratliff	281/44
2,996,775	8/1961	Vernon	24/67.3
3,911,531	10/1975	Buturuga	24/10
3,968,546	7/1976	Seaborn et al.	24/67.9

OTHER PUBLICATIONS

Office Appliances, Nov. 1967, p. 147, advertisement for S. E. & M. Vernon, Inc., see Clip center left.

Office Products Catalog ©1978, p. 76, see Clip on clipboard, #68-680 center right.

Primary Examiner—Bruce W. Dunkins

Assistant Examiner—Martha F. Thompson

Attorney, Agent, or Firm—Stetina and Brunda

[57] **CLAIM**

The ornamental design for a combined document clip and pencil grip, as shown and described.

DESCRIPTION

FIG. 1 is a perspective view, on a reduced scale, of a combined document clip and pencil grip showing my new design;

FIG. 2 is a front perspective view;

FIG. 3 is a rear perspective view of FIG. 2;

FIG. 4 is a front elevational view of FIG. 2;

FIG. 5 is a right side elevational view of FIG. 2;

FIG. 6 is a top plan view of FIG. 2;

FIG. 7 is a rear elevational view of FIG. 2; and

FIG. 8 is a perspective view thereof.

The board depicted by means of broken lines in FIG. 1 has been shown for illustrative purposes only.

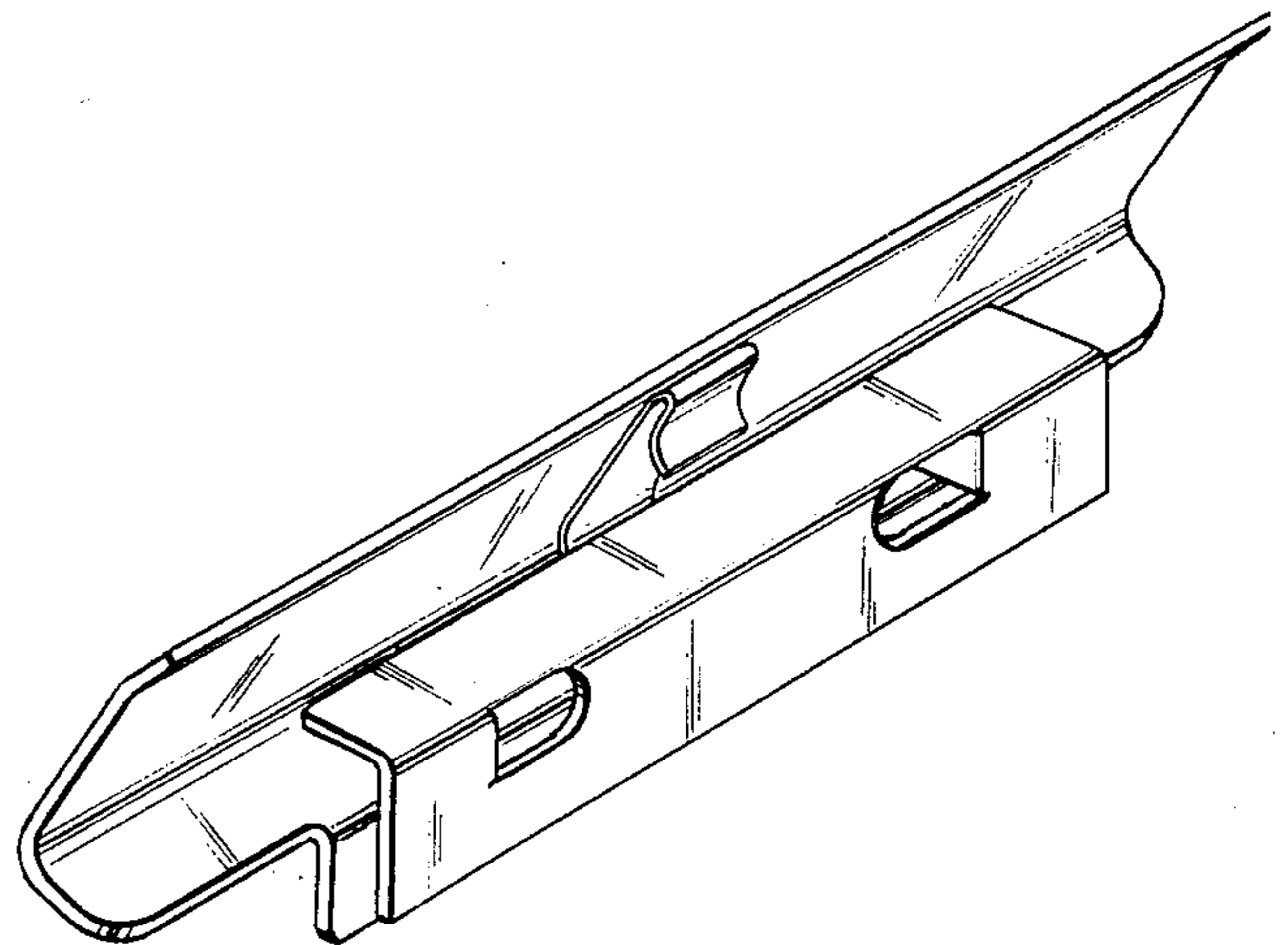
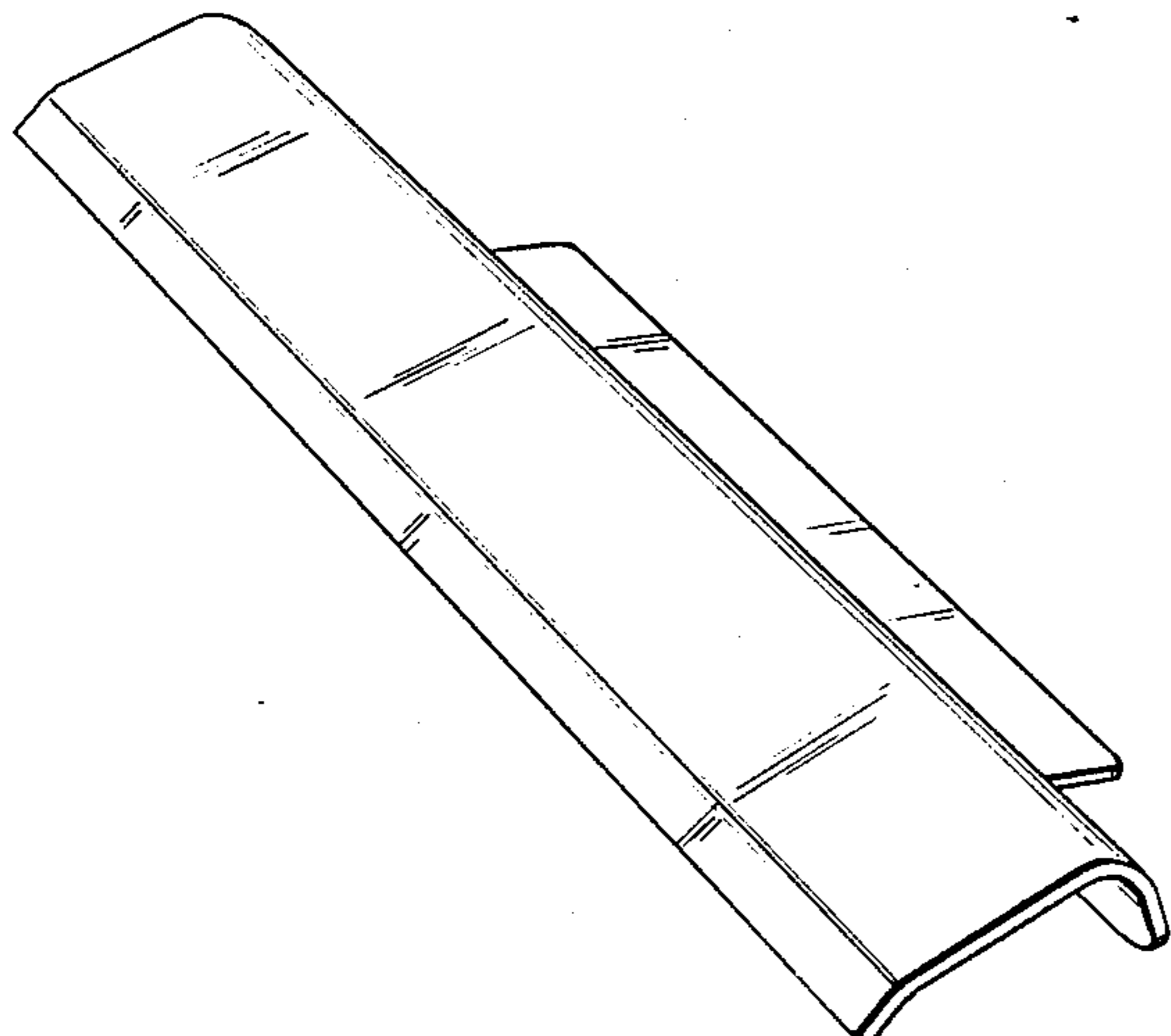


Fig. 1

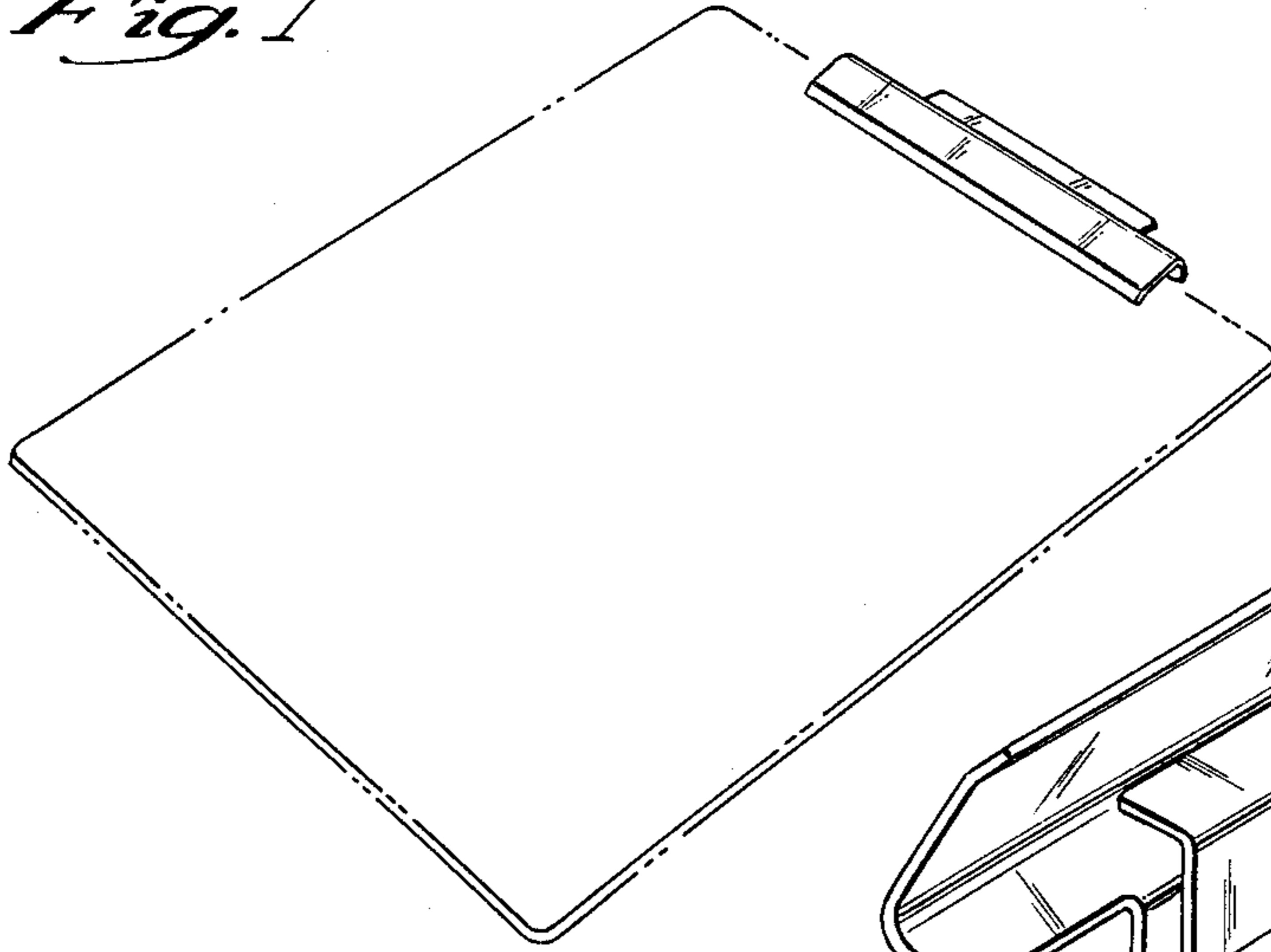


Fig. 8

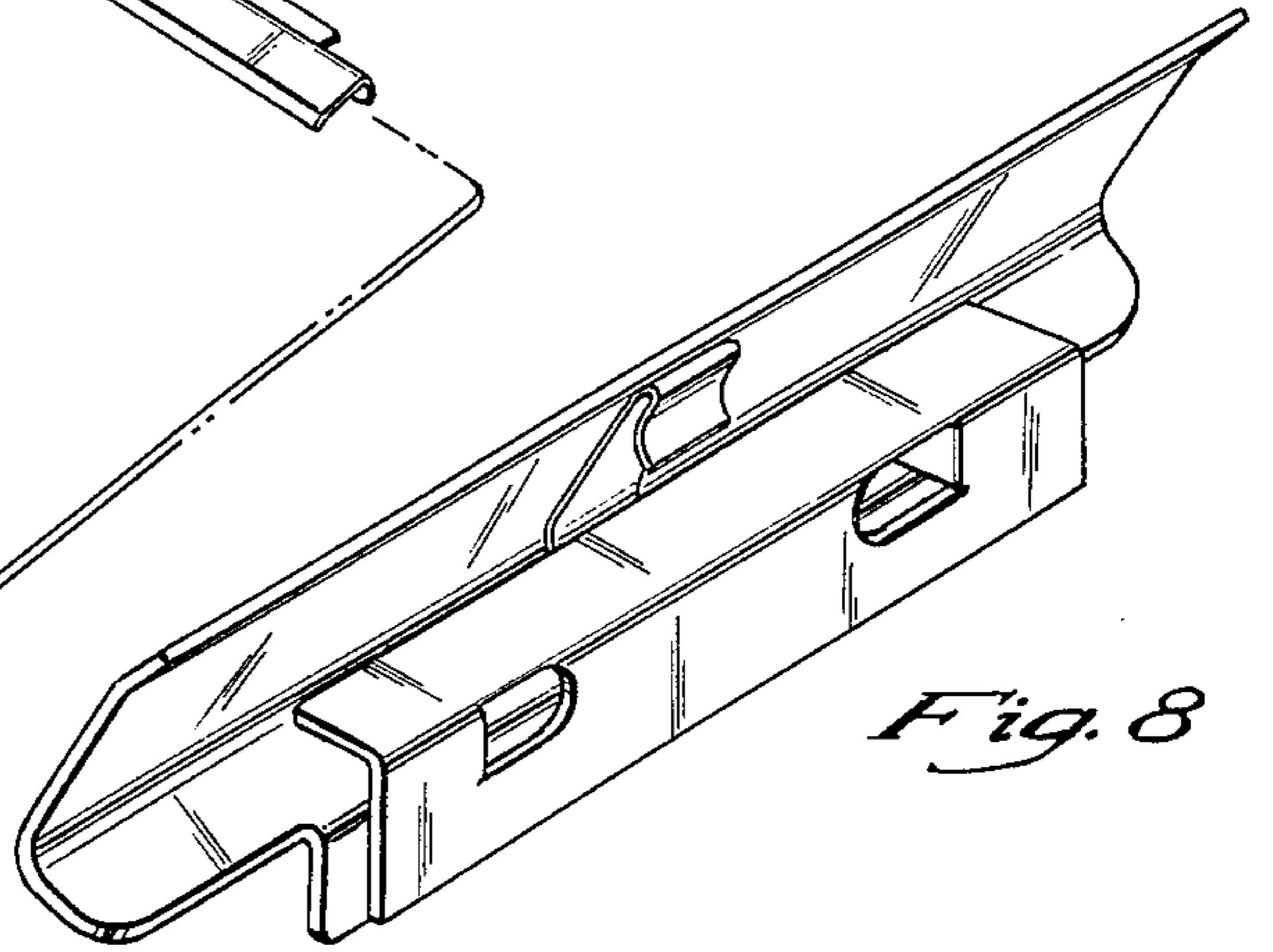


Fig. 2

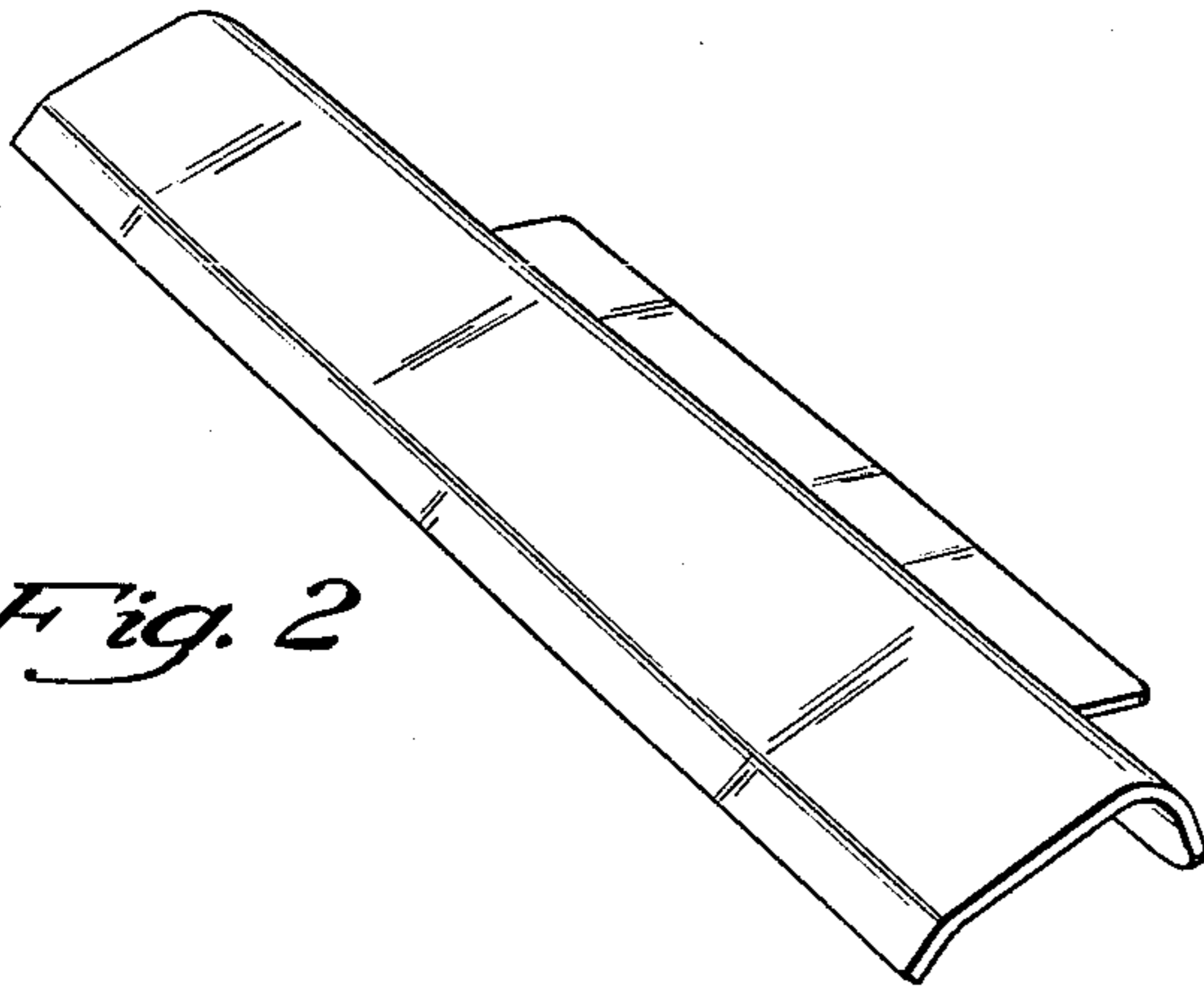


Fig. 3

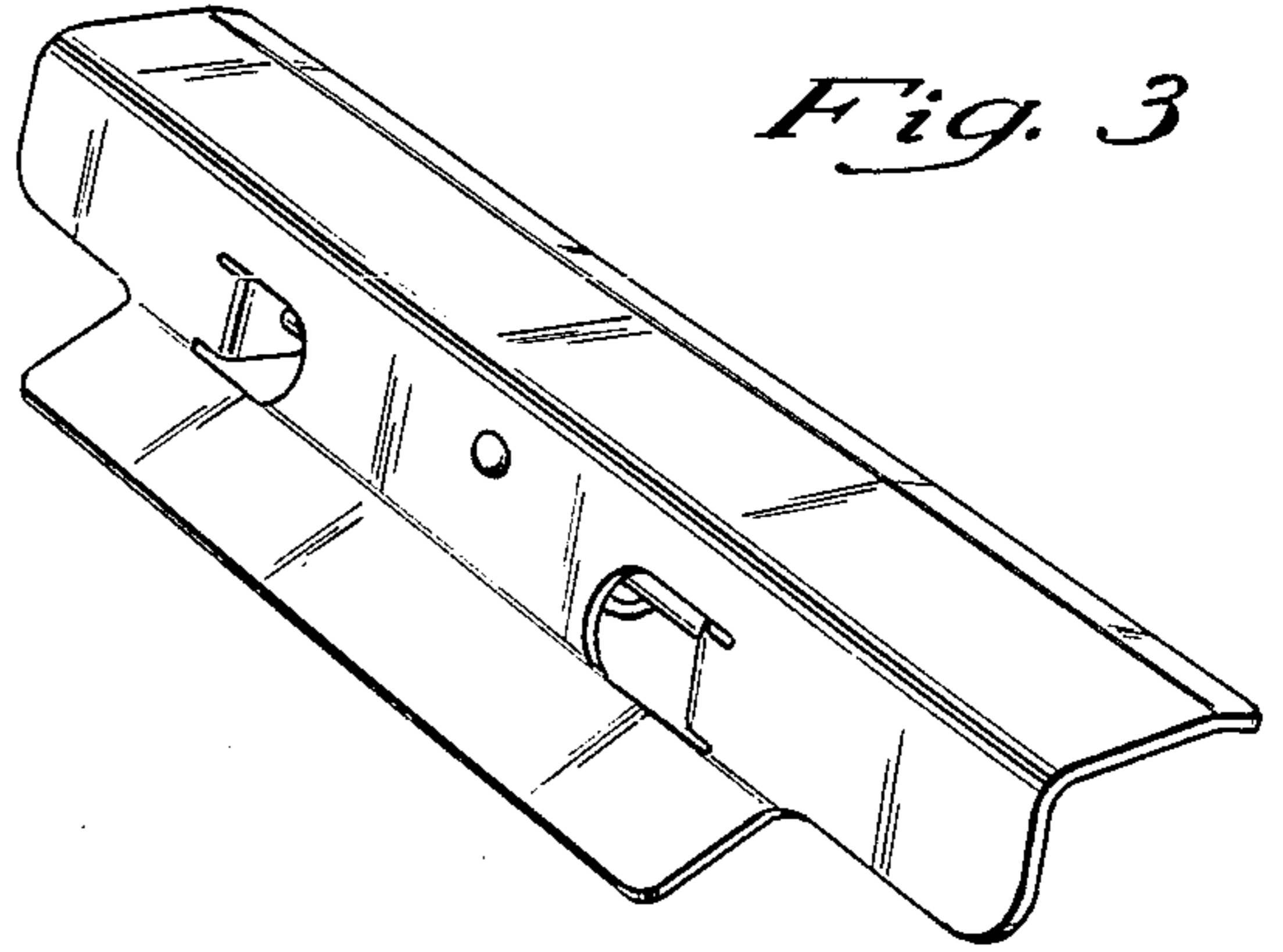


Fig. 6

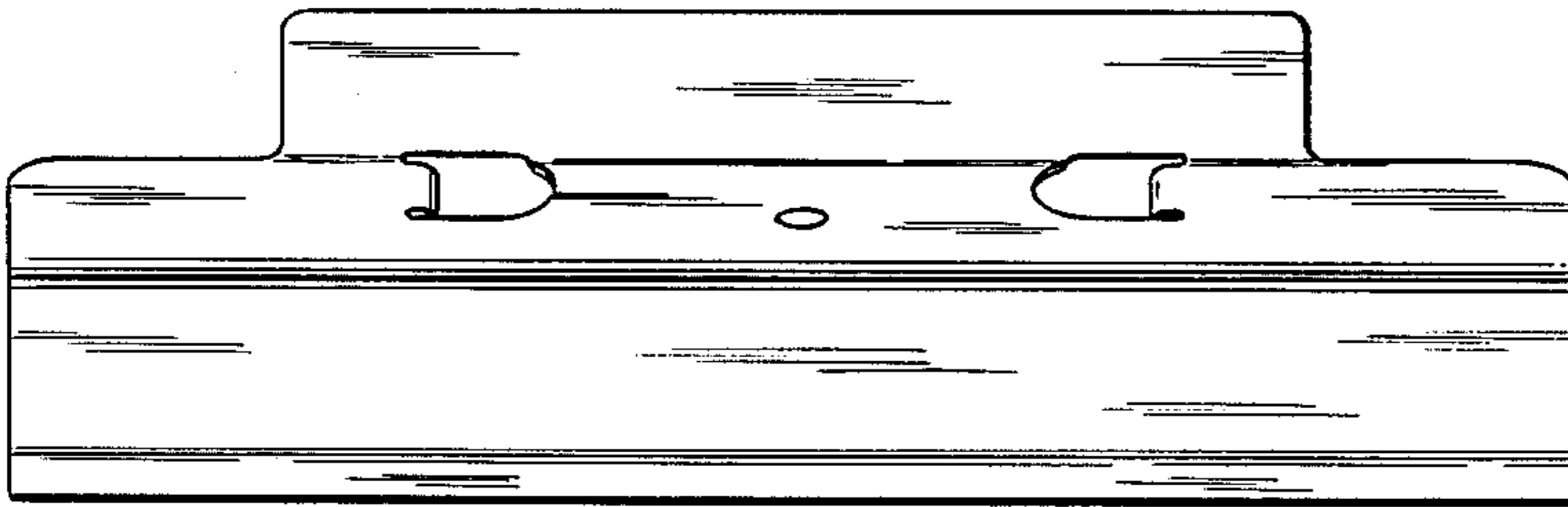


Fig. 4

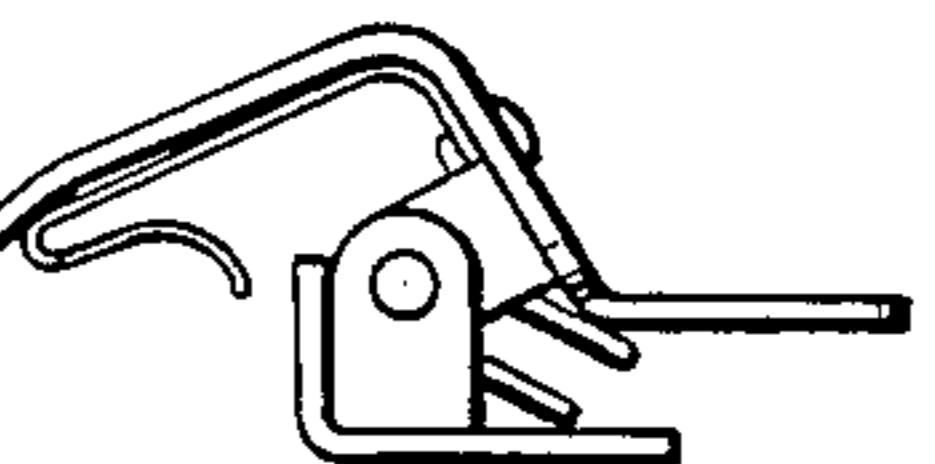
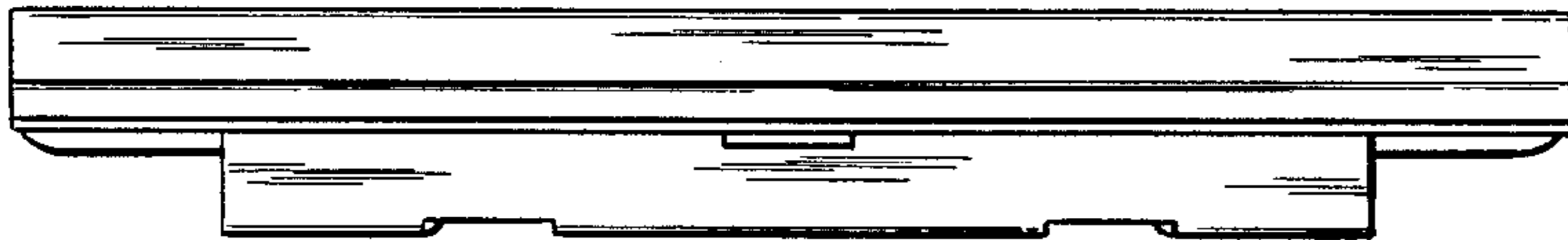


Fig. 5

Fig. 7

