

[54] **COMBINATION STATIONERY HOLDER
AND POCKET SECRETARY**

[75] **Inventor: Ludolf Klein, Great Neck, N.Y.**
[73] **Assignee: Bond Street, Ltd., New York, N.Y.**
[**] **Term: 14 Years**

[21] **Appl. No.: 835,311**

[22] **Filed: Mar. 3, 1986**

[52] **U.S. Cl. D19/27; D19/26;
D3/56**

[58] **Field of Search D3/43, 52, 56, 58;
D19/23, 26, 27, 32, 33, 75, 77**

[56] **References Cited**

U.S. PATENT DOCUMENTS

- D. 165,770 1/1952 Lipp D3/58
- D. 202,756 11/1965 Schlessinger D3/58
- D. 216,173 11/1969 Kogutt D19/26 X
- D. 285,809 9/1986 Sindler D19/27

OTHER PUBLICATIONS

Travelware, Jun. 1985, p. 26, see Londonhouse Corp. ad, lower right corner.

Primary Examiner—Bruce W. Dunkins
Assistant Examiner—Martha F. Thompson

[57] **CLAIM**

The ornamental design for a combination stationery holder and pocket secretary, as shown and described.

DESCRIPTION

FIG. 1 is a top perspective view of a combination stationery holder and pocket secretary showing my new design;

FIG. 2 is a bottom perspective view thereof;

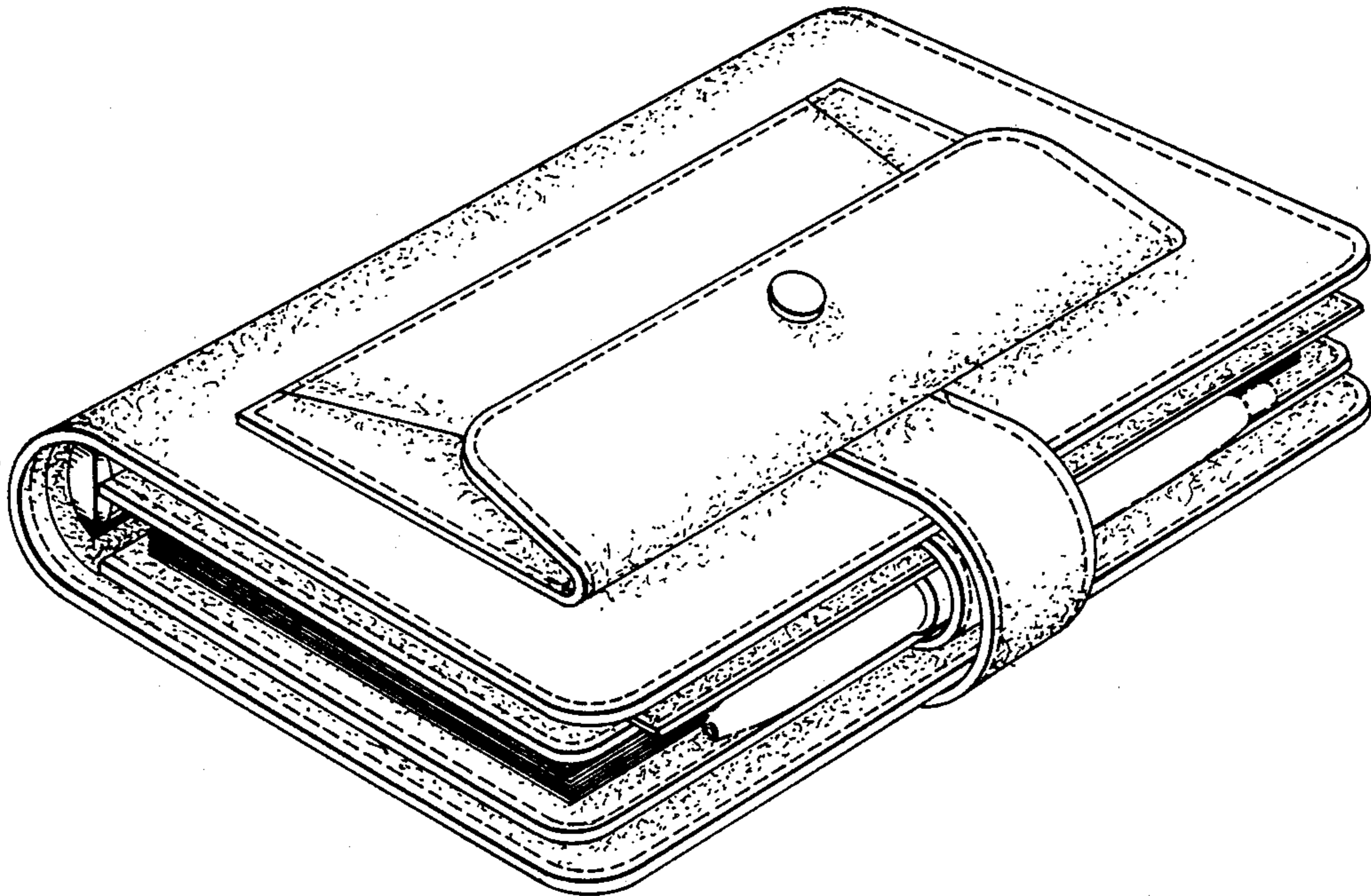
FIG. 3 is a perspective view on an enlarged scale showing the stationery holder and pocket secretary in a first open position;

FIG. 4 is a front elevational view in a second alternative open position;

FIG. 5 is front elevational view in a third alternative open position; and

FIG. 6 is a front elevational view in a fourth alternative open position.

The pen shown in FIGS. 1 through 6 and the card forms shown in FIG. 3 have been depicted in broken lines for illustrative purposes only.



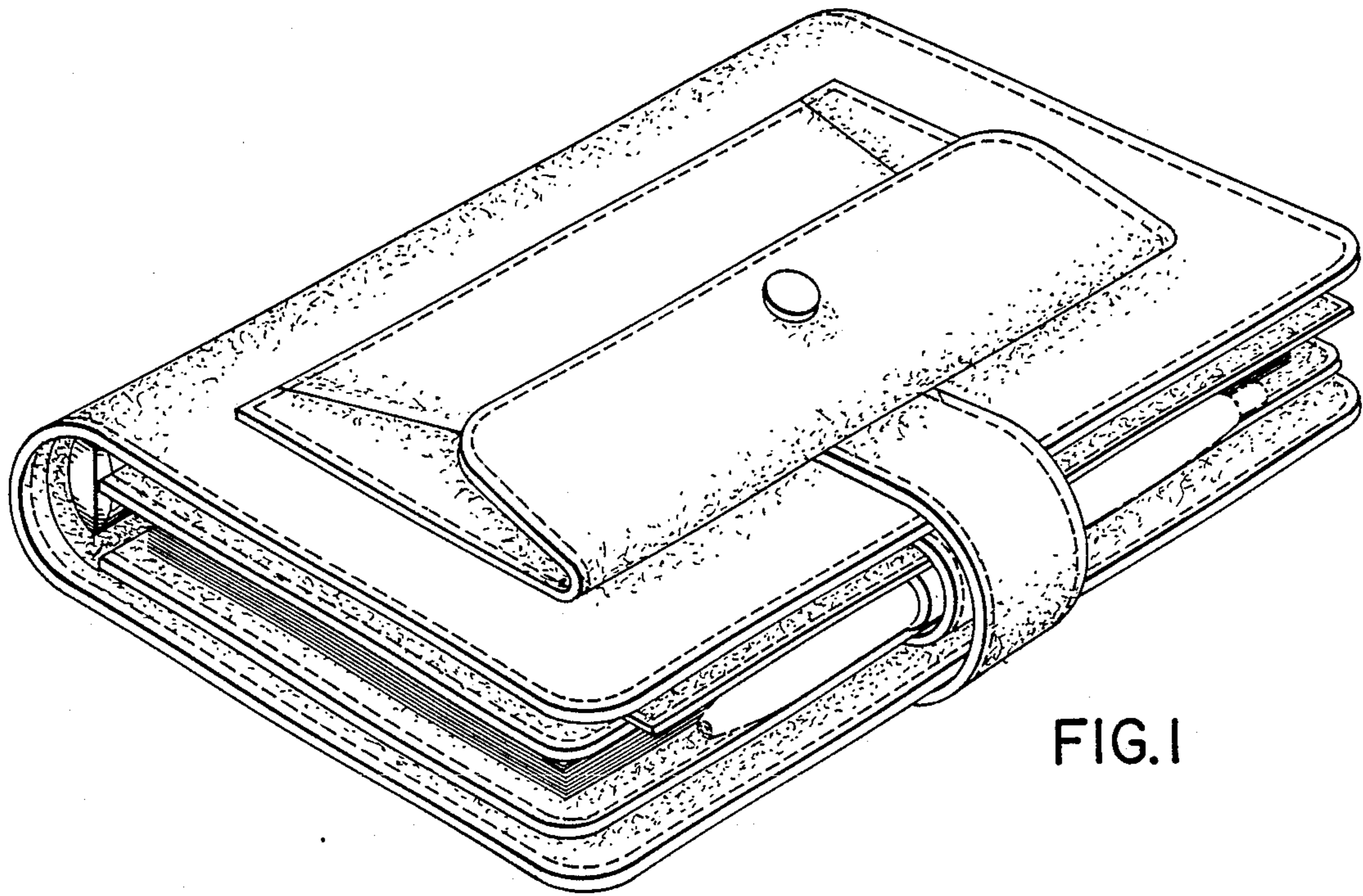


FIG. 1

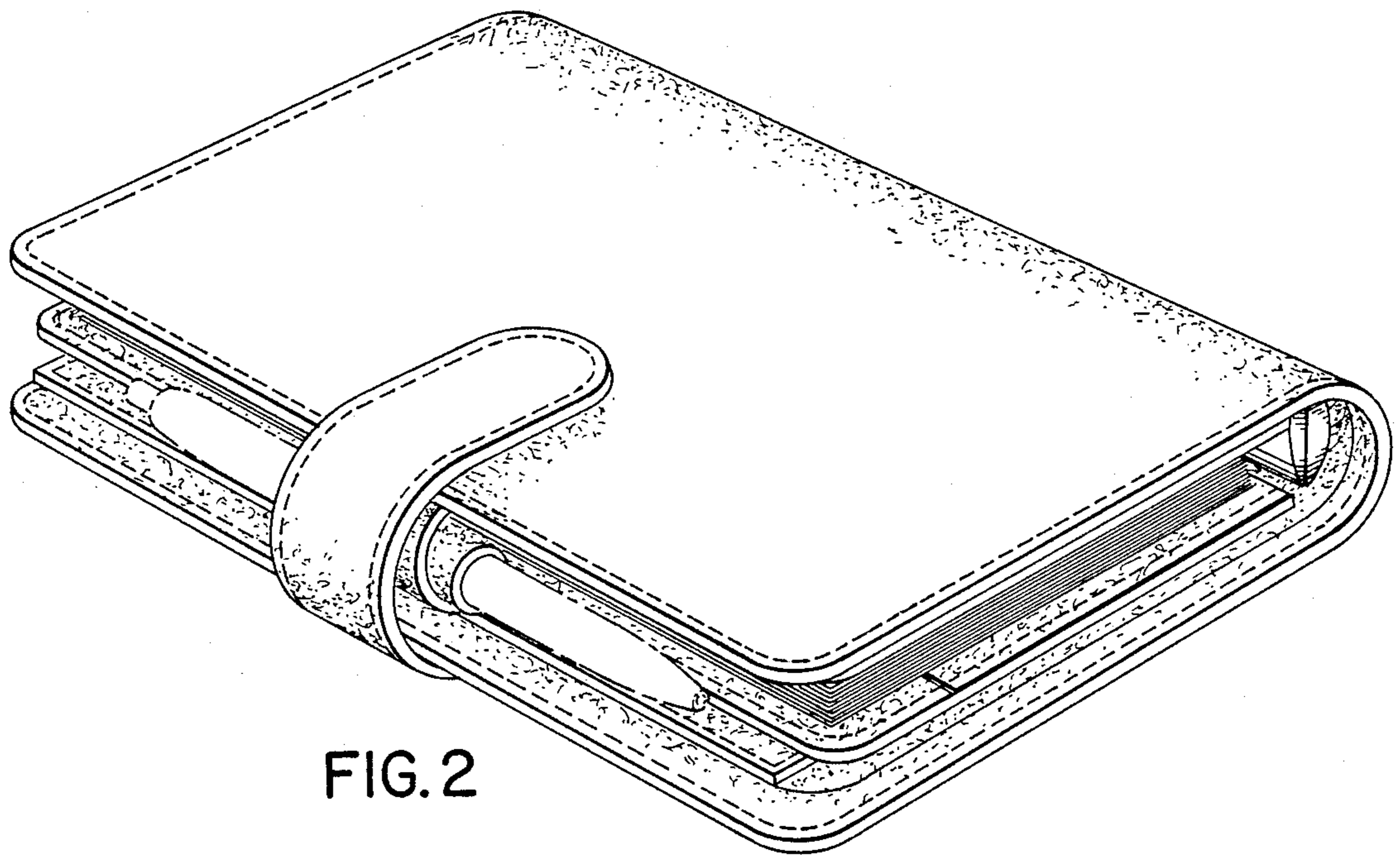


FIG. 2

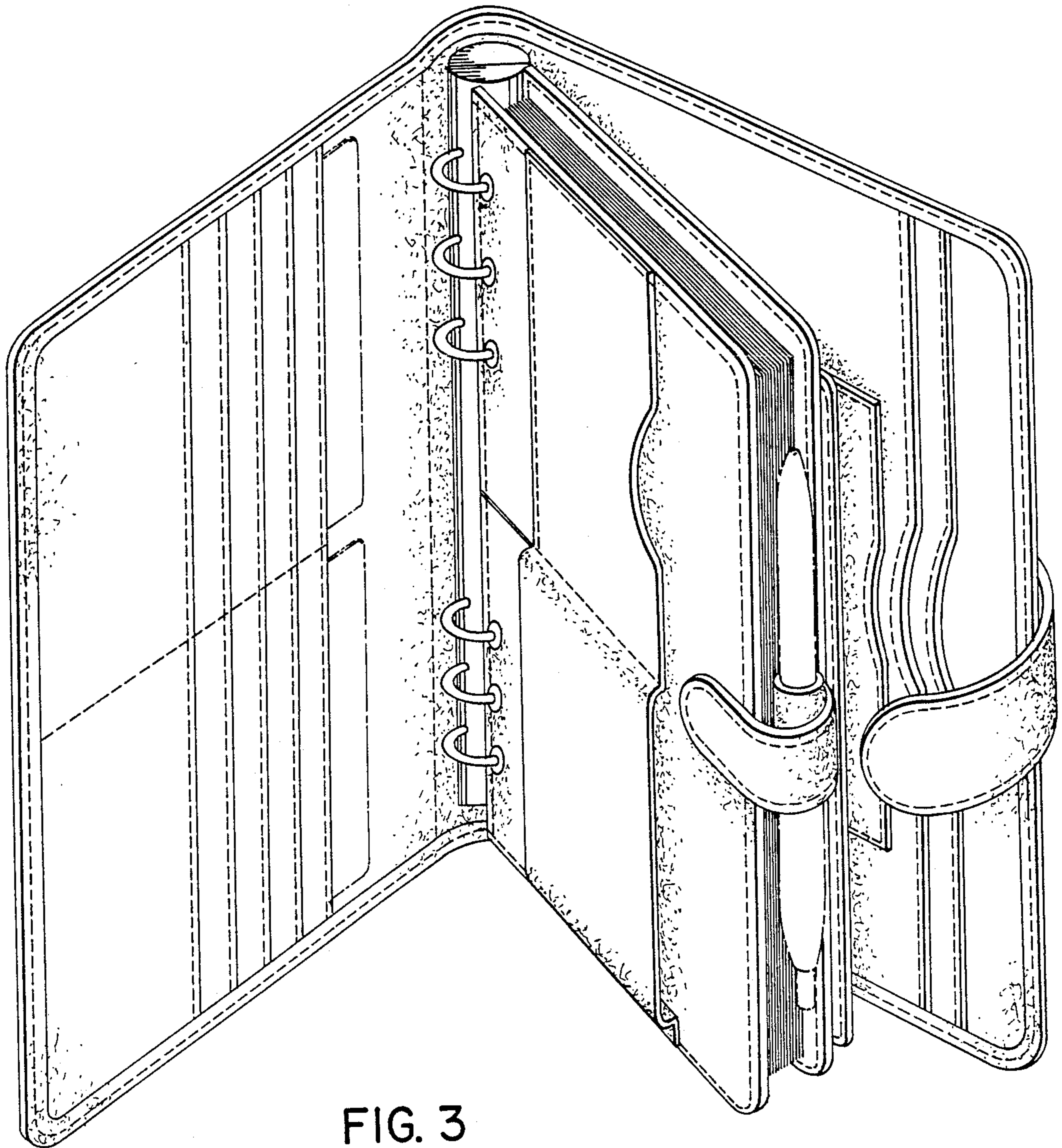


FIG. 3

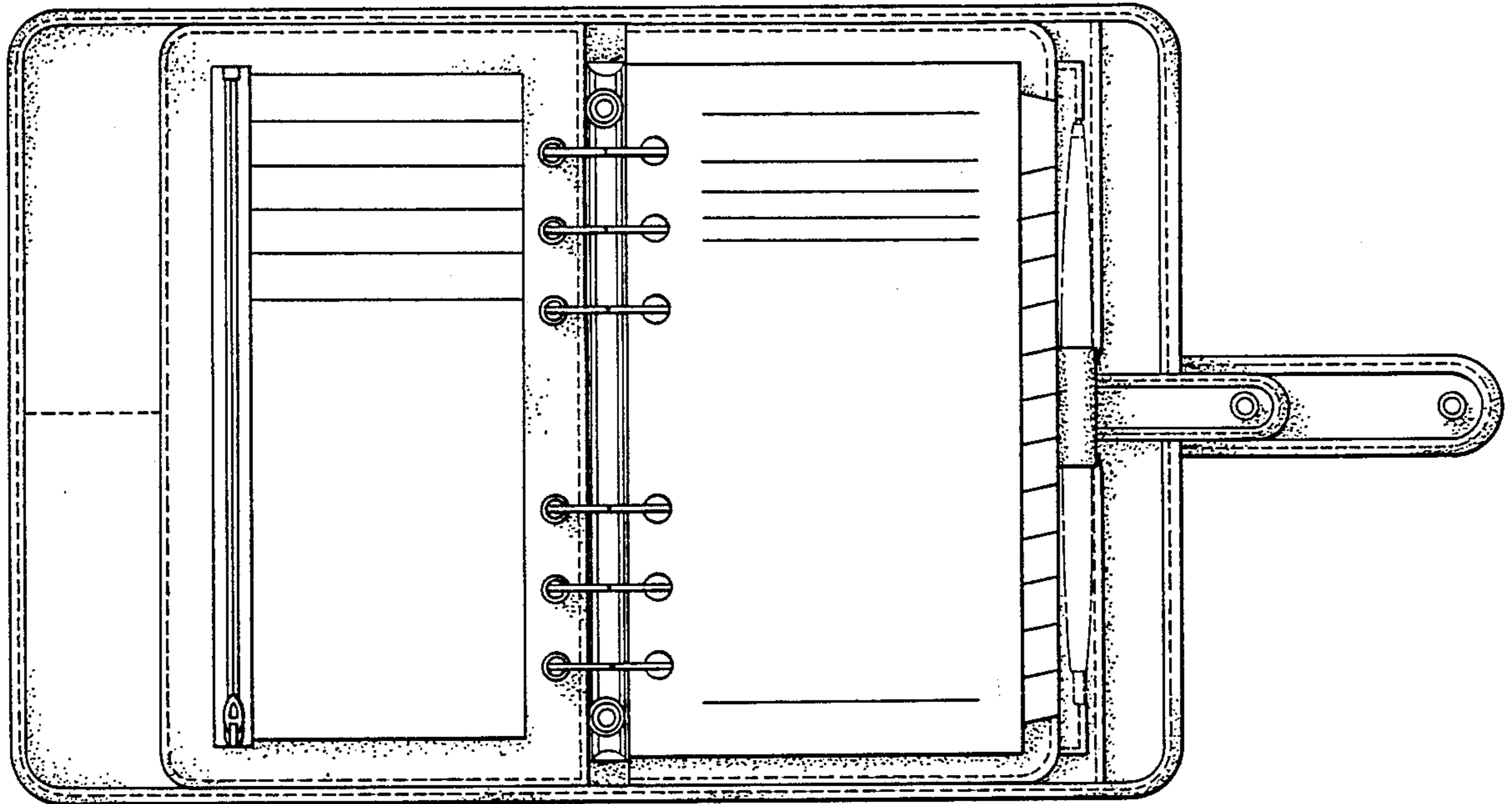


FIG. 4

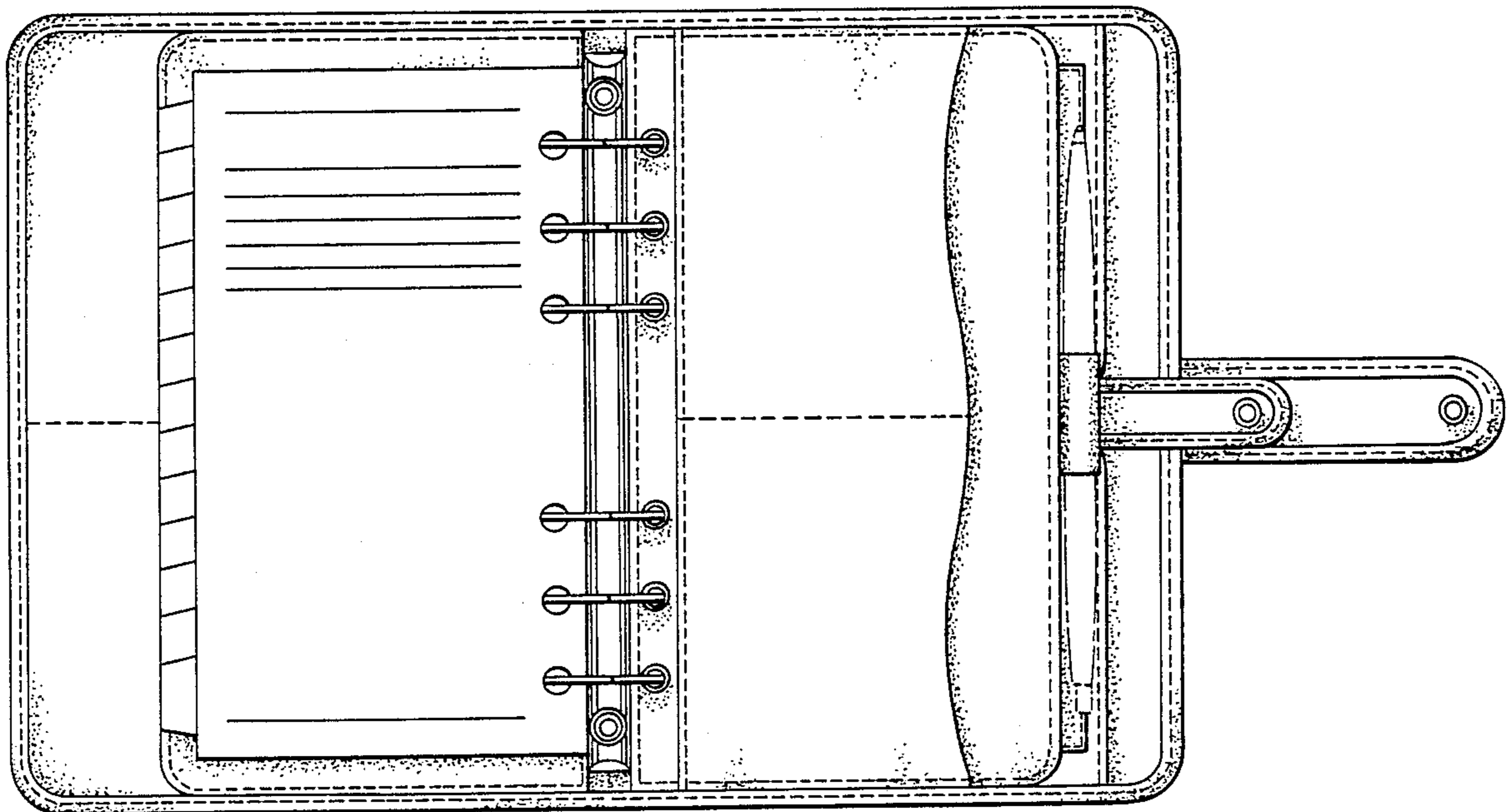


FIG. 5

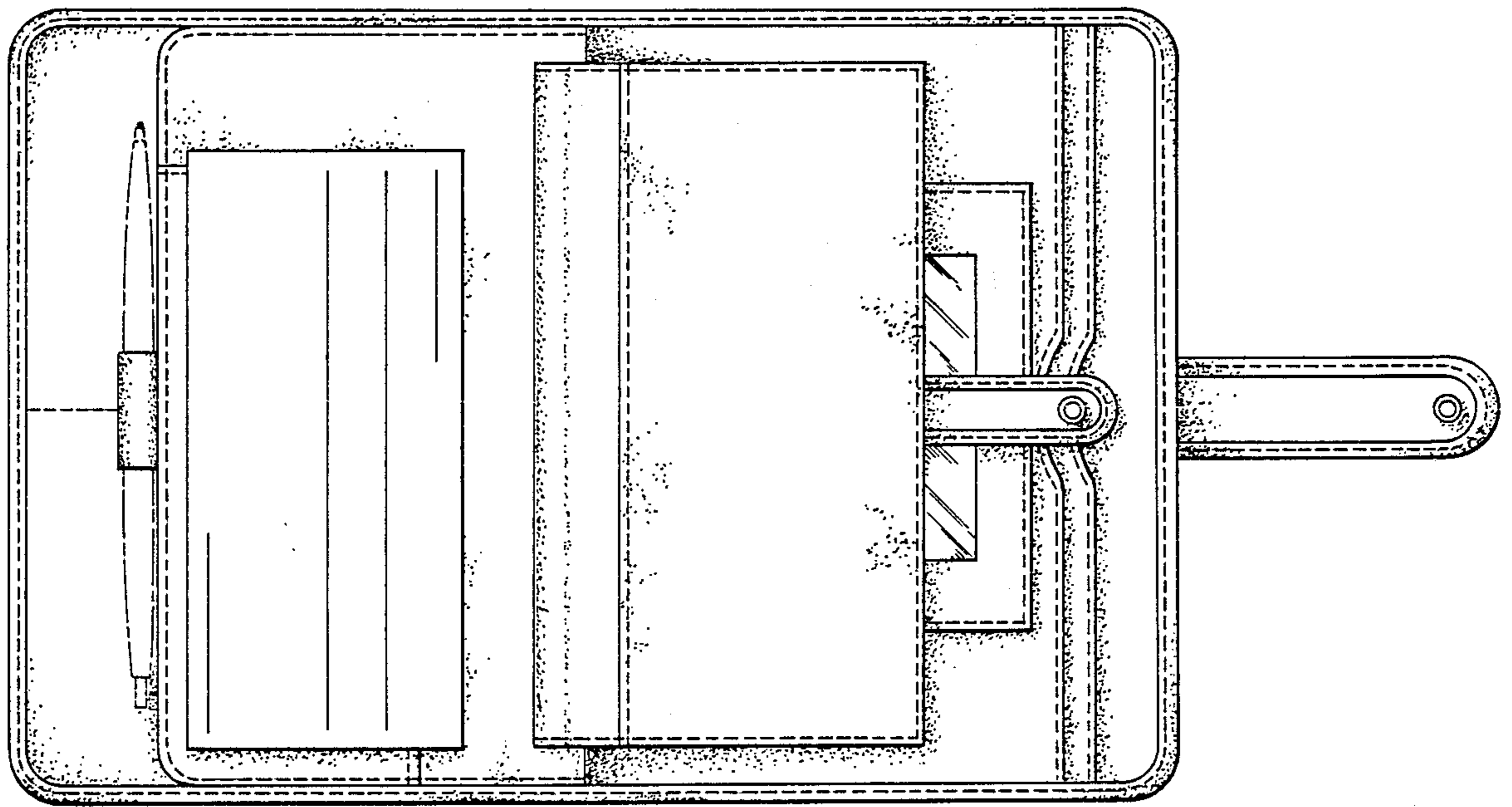


FIG. 6