

[54] **HAND-HELD LABELLING GUN**

[56]

**References Cited**

**U.S. PATENT DOCUMENTS**

[75] **Inventor: Klaus-Dieter Hermann, Hirschhorn, Fed. Rep. of Germany**

D. 269,527	6/1983	Becker	.....	D18/19
D. 272,365	1/1984	Becker et al.	.....	D18/19
D. 278,832	5/1985	Wada	.....	D18/19
3,880,078	4/1975	Pelet	.....	101/288
4,201,619	5/1980	Sato	.....	101/288
4,213,389	7/1980	Sato	.....	101/288
4,389,934	6/1983	Holland-Letz	.....	101/288
4,479,842	10/1984	Fujita	.....	101/288

[73] **Assignee: K-D Hermann Gesellschaft mit beschränkter Haftung Contact Preisauszeichnung-Etikettiersysteme, Hirschhorn, Fed. Rep. of Germany**

*Primary Examiner—Nelson C. Holtje*  
*Assistant Examiner—Caron D. Veynar*

[\*\*] **Term: 14 Years**

[57] **CLAIM**

[21] **Appl. No.: 946,272**

The ornamental design for a hand-held labelling gun, as shown.

[22] **Filed: Dec. 22, 1986**

**DESCRIPTION**

[30] **Foreign Application Priority Data**

Jun. 27, 1986 [DE] Fed. Rep. of Germany ..... 422  
 [52] **U.S. Cl.** ..... **D18/19**  
 [58] **Field of Search** ..... **D18/13, 14, 19;**  
 101/288; 156/DIG. 48, DIG. 49, 384

FIG. 1 is a right side elevational view of a hand-held labelling gun showing my new design;  
 FIG. 2 is a left side elevational view thereof;  
 FIG. 3 is a top plan view thereof;  
 FIG. 4 is a bottom plan view thereof;  
 FIG. 5 is a front elevational view thereof;  
 FIG. 6 is a rear elevational view thereof.

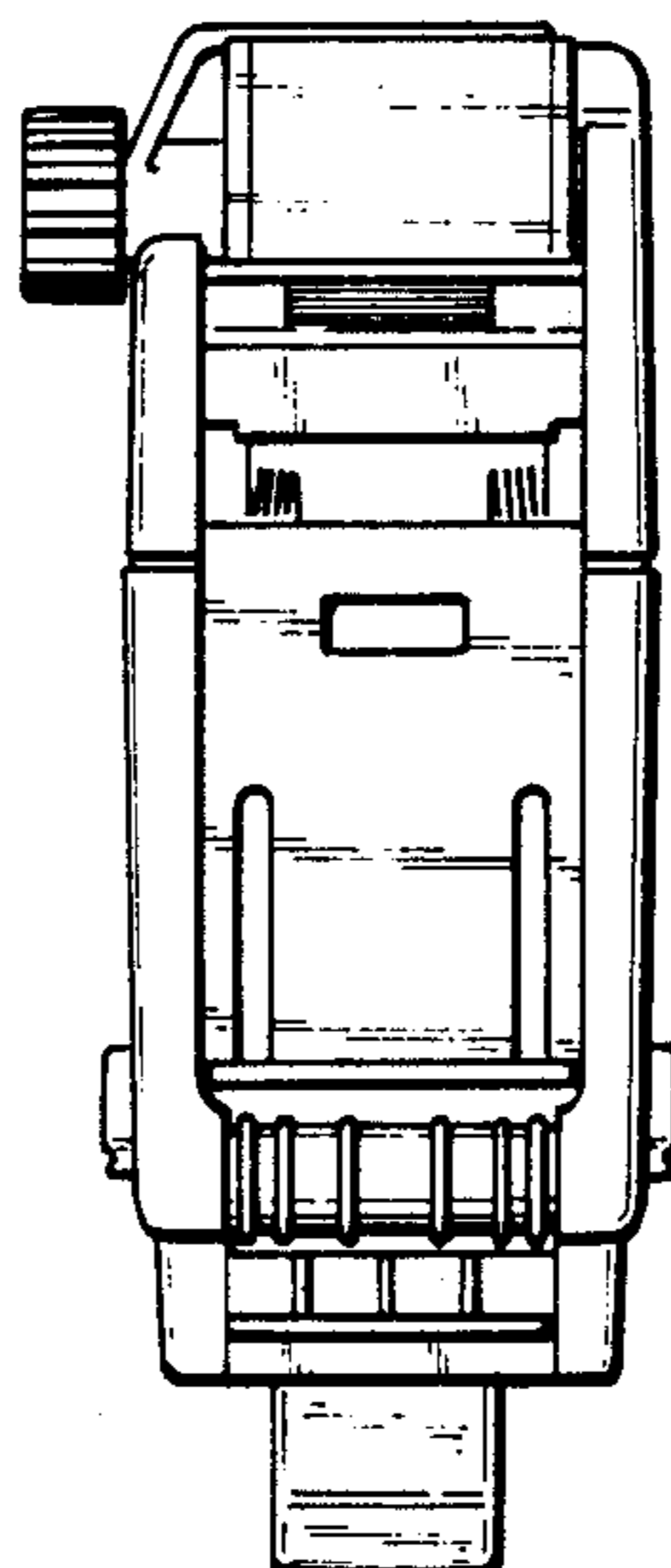
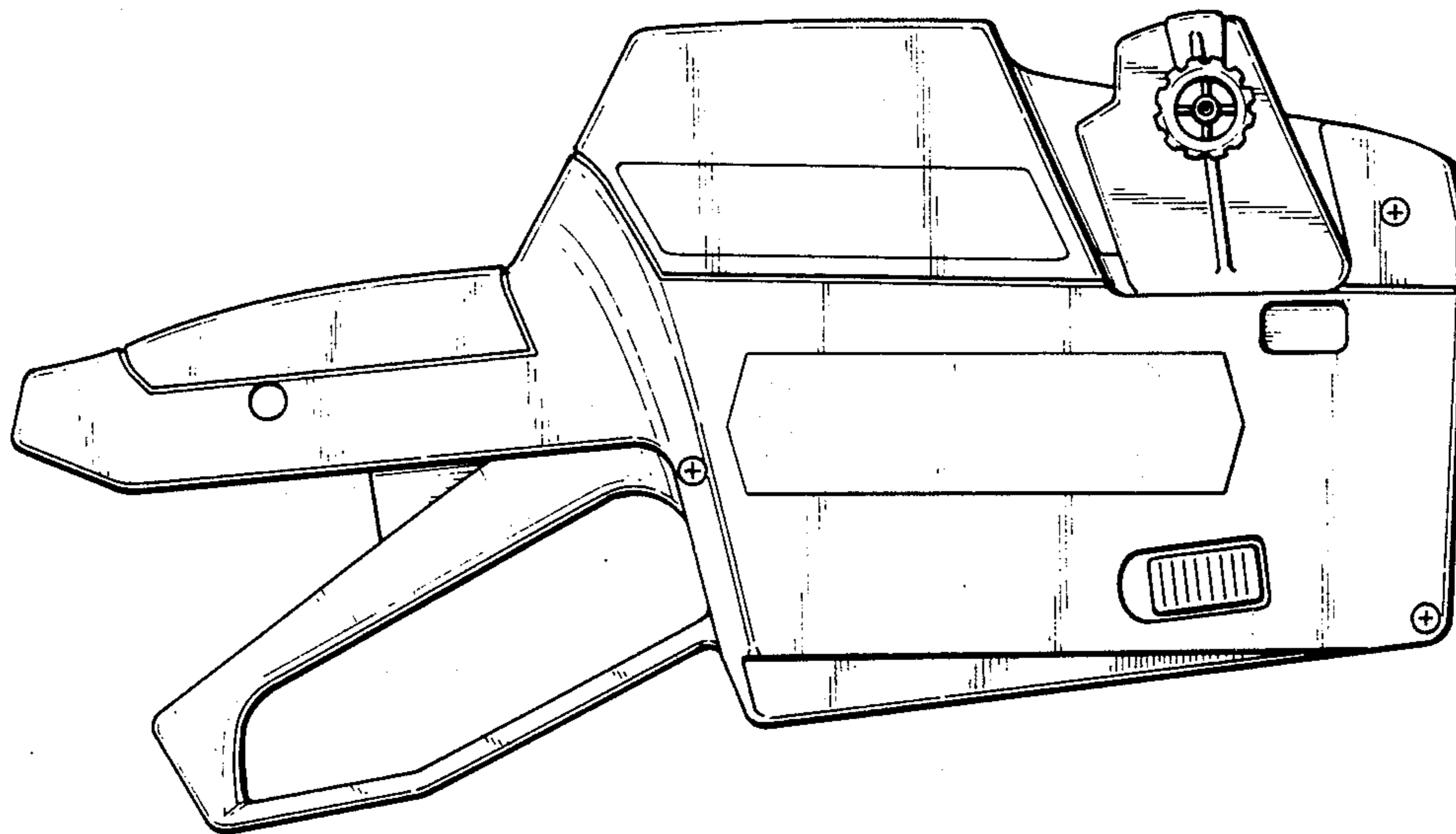


Fig. 1

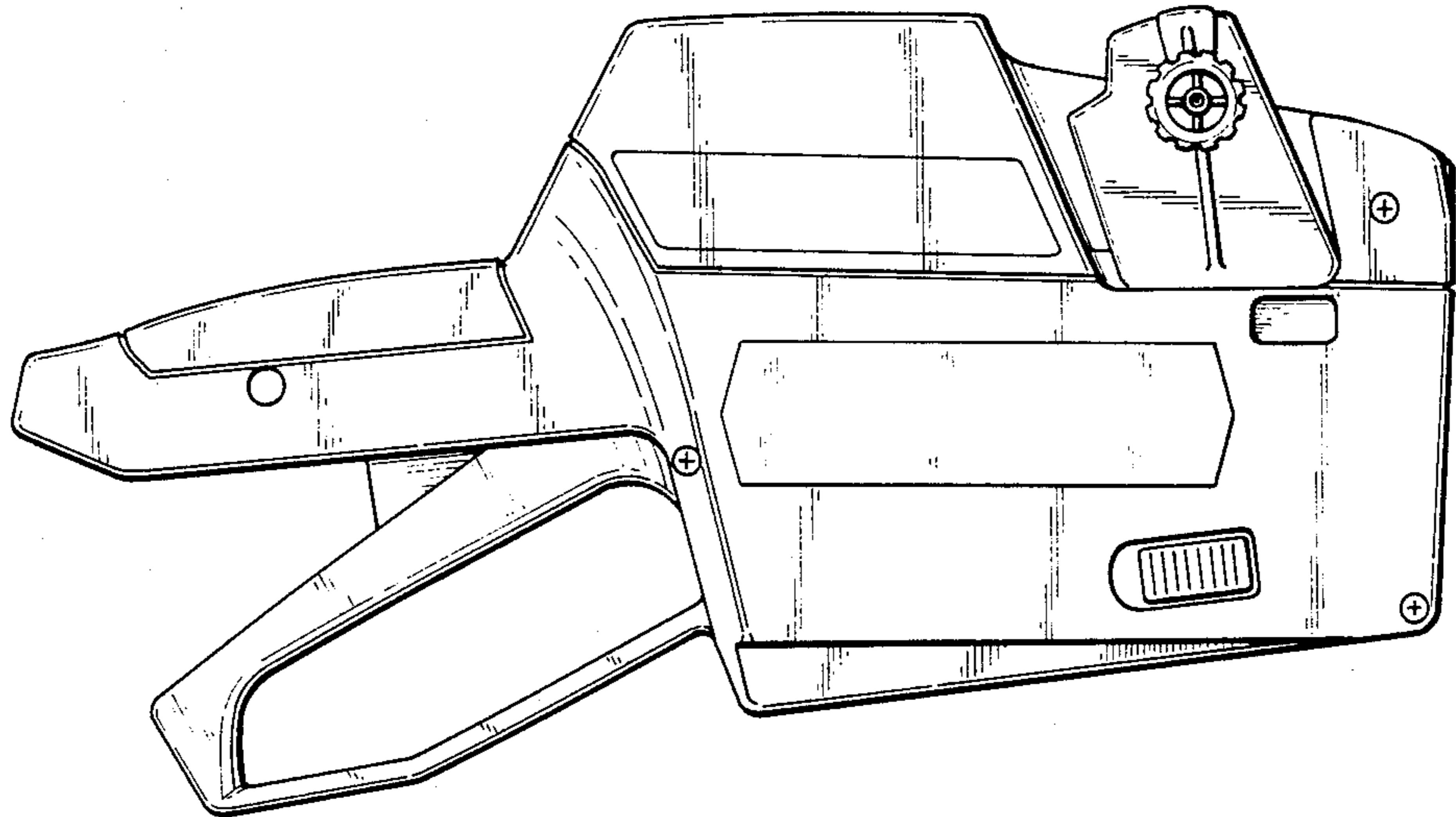


Fig. 2

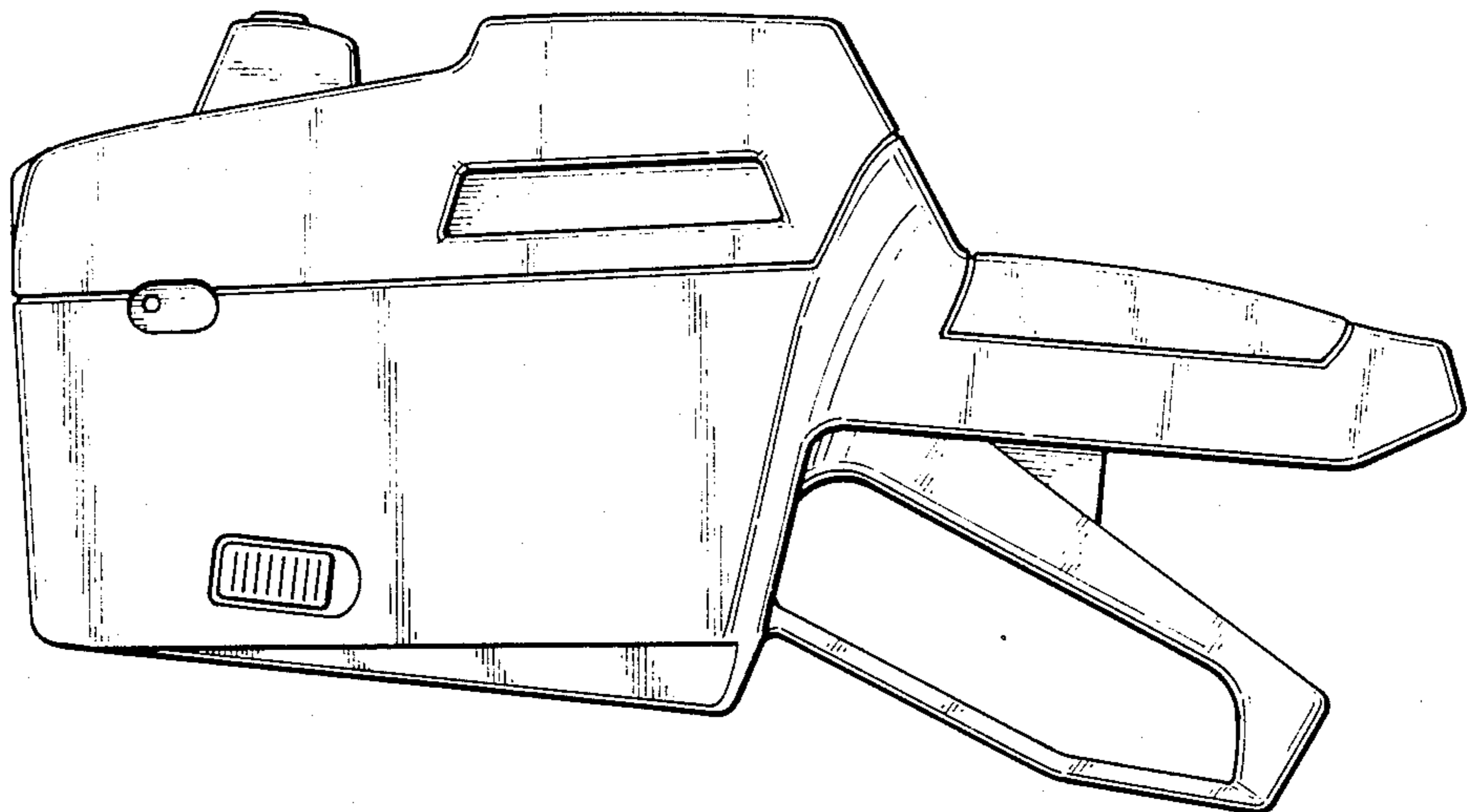


Fig. 3

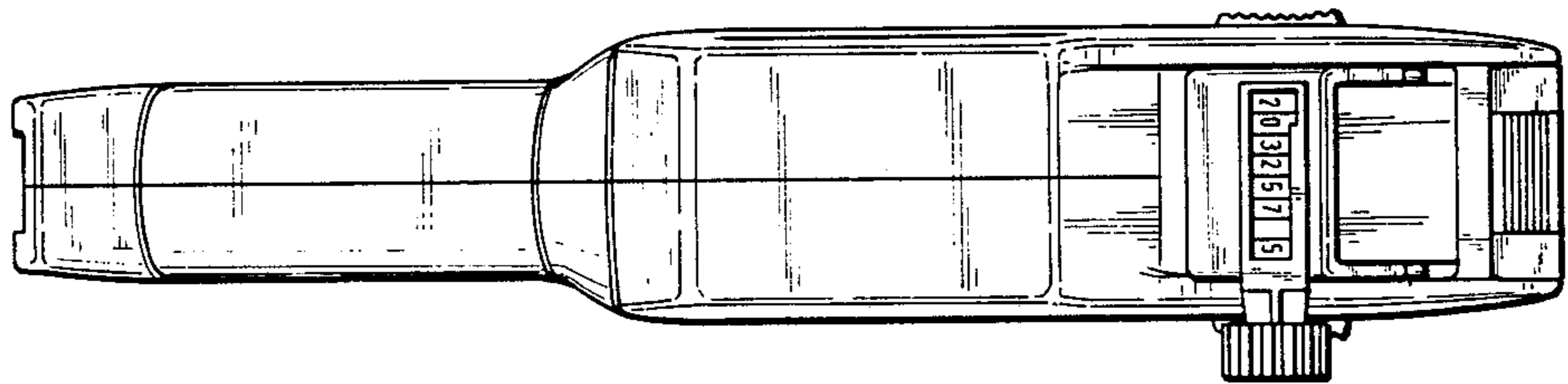


Fig. 4

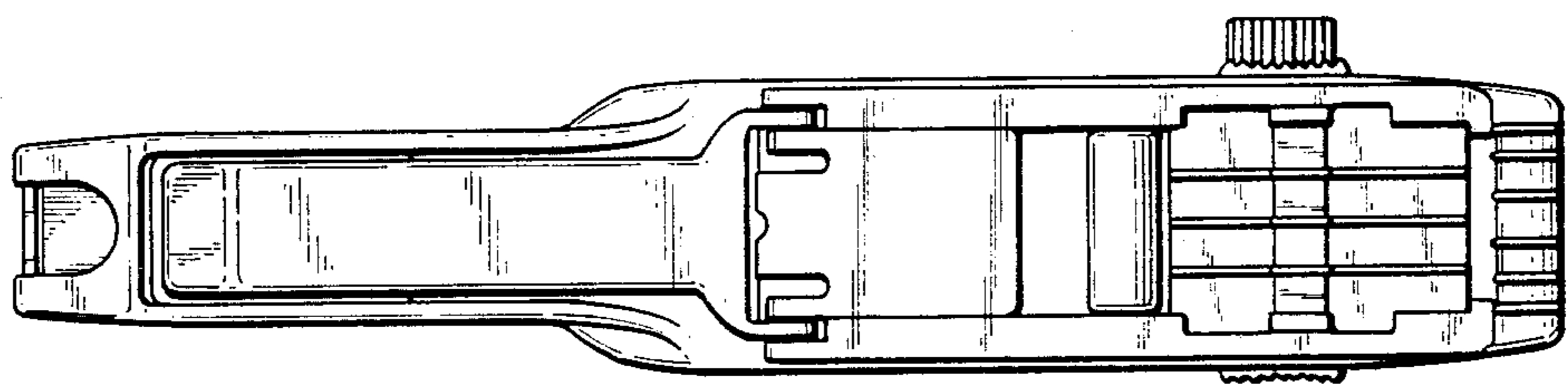


Fig. 5

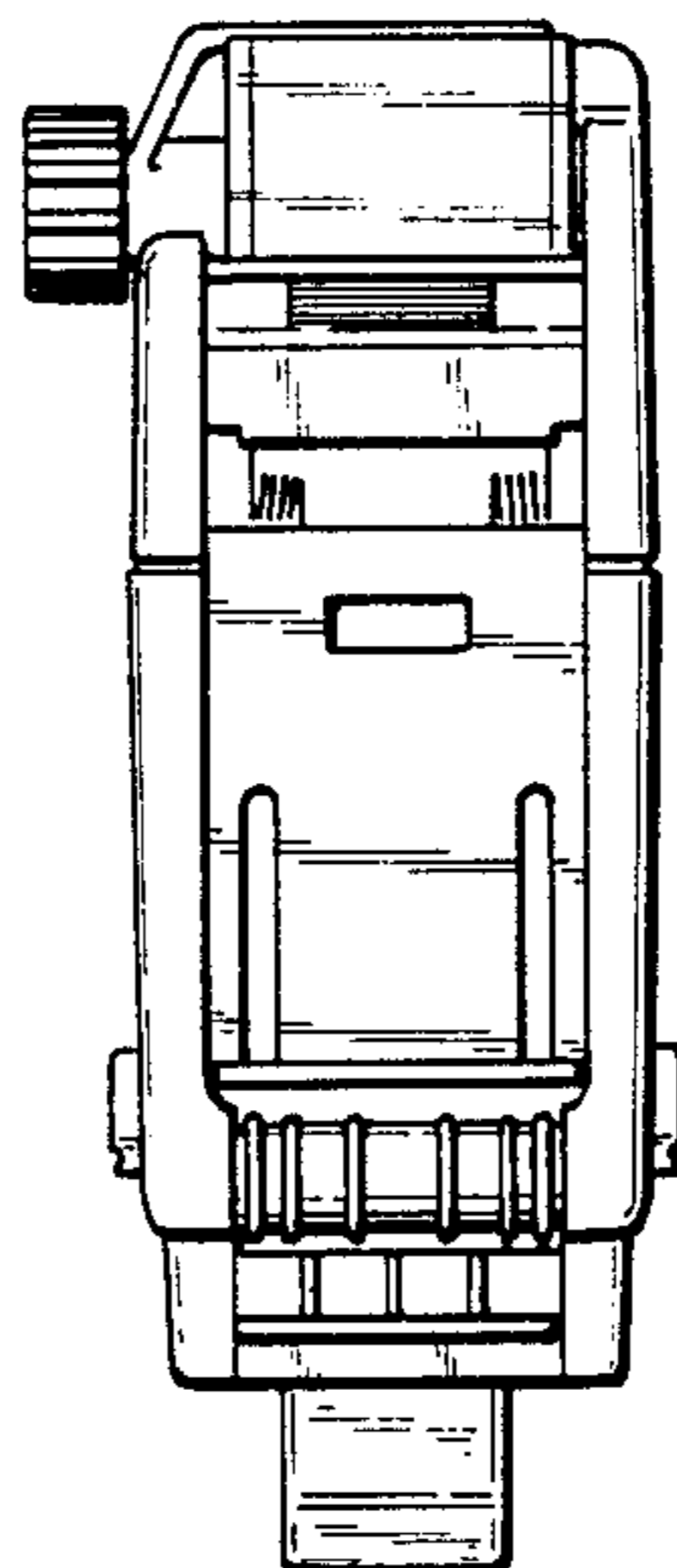


Fig. 6

