

[54] CASH REGISTER OR SIMILAR ARTICLE

[75] Inventors: Shuzo Kato; Yasushi Nakamura, both of Hiratsuka; Masao Kusayanagi, Odawara, all of Japan

[73] Assignee: NCR Corporation, Dayton, Ohio

[**] Term: 14 Years

[21] Appl. No.: 101,340

[22] Filed: Sep. 25, 1987

[30] Foreign Application Priority Data

Mar. 30, 1987 [JP] Japan 62-11675

[52] U.S. Cl. D18/4

[58] Field of Search D18/2-5; D14/100, 105, 106; D99/28; 235/1 D, 7 R, 379-383; 364/404, 405

[56] References Cited

U.S. PATENT DOCUMENTS

D. 234,266	2/1975	Merino et al.	D18/4
D. 269,441	6/1983	Matsuda et al.	D18/4
D. 276,919	12/1984	Sakamoto et al.	D18/4
D. 277,107	1/1985	Sakamoto	D18/4
D. 279,382	6/1985	Hori et al.	D18/4
4,084,238	4/1978	Masuo	364/405
4,213,179	7/1980	Hamano et al.	364/405
4,276,598	6/1981	Inoue et al.	364/405
4,312,037	1/1982	Yamakita	364/405

OTHER PUBLICATIONS

Office Products, Jan. 1979, p. 5.
Office Products Dealer, Jul. 1981, p. 4.
Office Products Dealer, Feb. 1982, p. 5.
Design 440, Aug. 1985, p. 43.

Primary Examiner—James R. Largen
Attorney, Agent, or Firm—Wilbert Hawk, Jr.; Albert L. Sessler, Jr.; George J. Muckenthaler

[57] CLAIM

The ornamental design for a cash register or similar article, as shown and described.

DESCRIPTION

FIG. 1 is a perspective view taken from the top, front and right side of a cash register or similar article showing our new design;
FIG. 2 is a front elevational view thereof;
FIG. 3 is a rear elevational view thereof;
FIG. 4 is a right side elevational view thereof; and
FIG. 5 is a left side elevational view thereof;
FIG. 6 is a top plan view thereof;
FIG. 7 is a perspective view taken from the top, front and right side of a modified form of the cash register or similar article shown in FIG. 1.
The broken line showing of indicia in FIGS. 1 and 7 is for purposes of illustration only and forms no part of the claimed design.

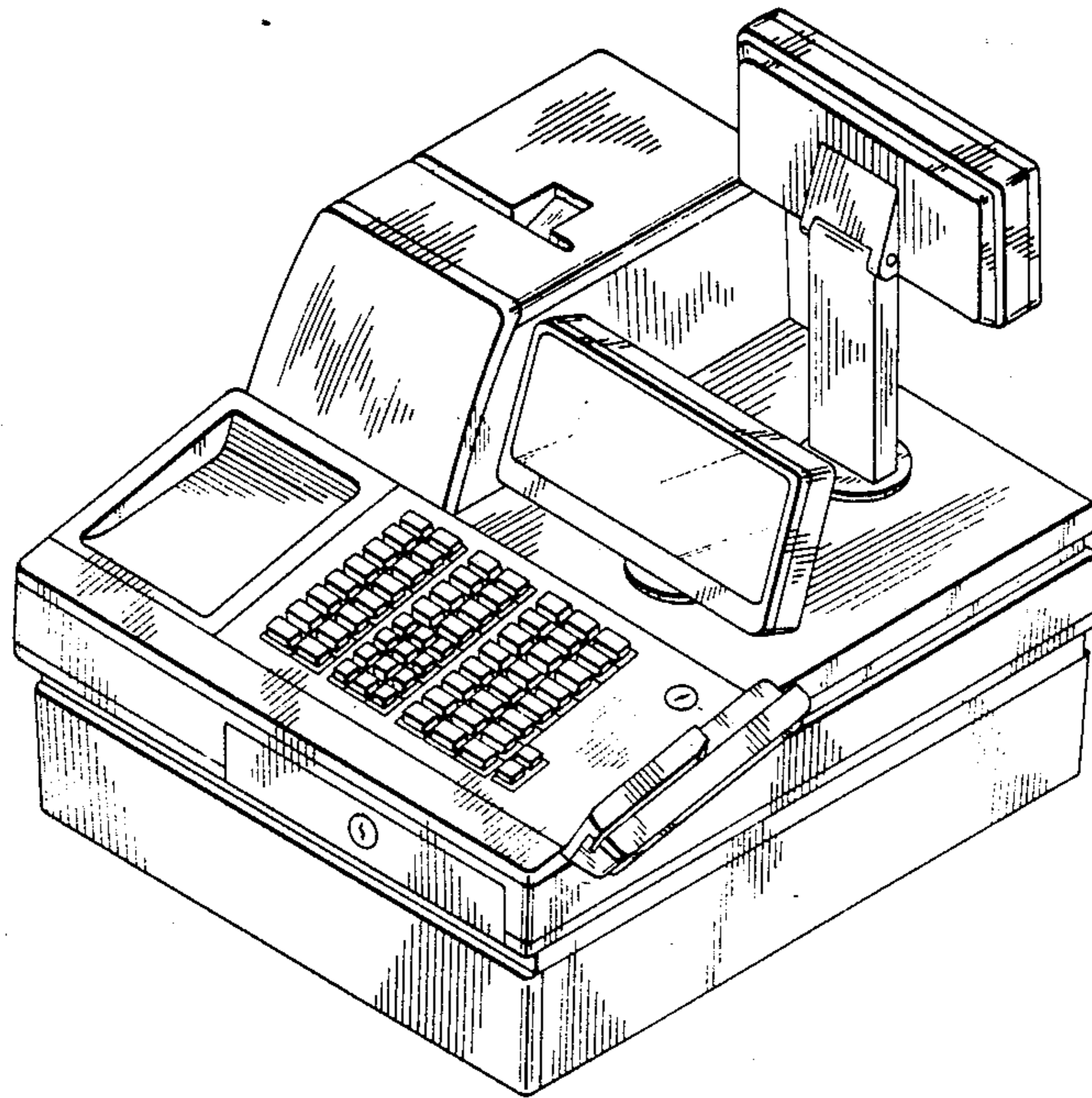


FIG. 1

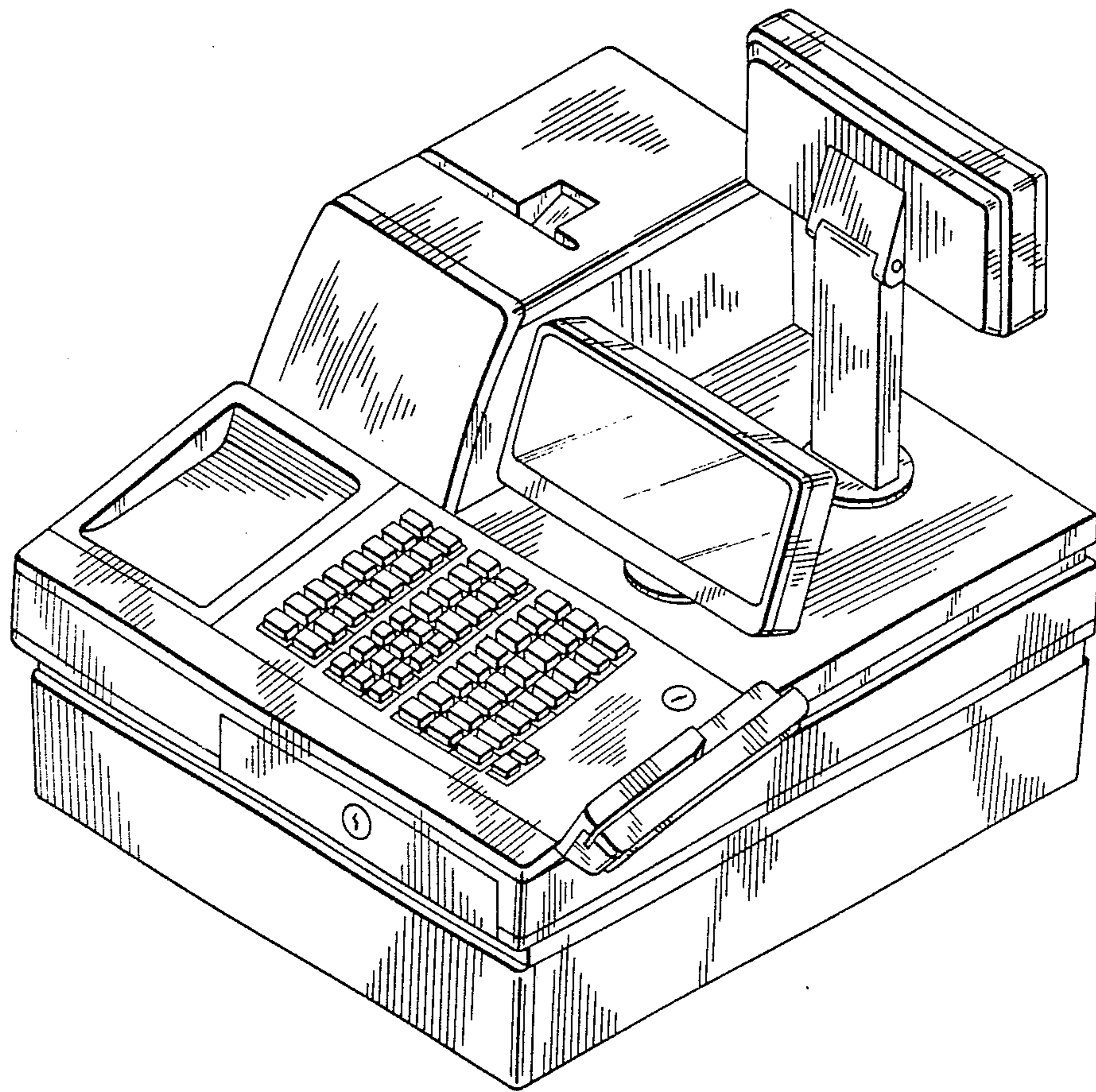


FIG. 2

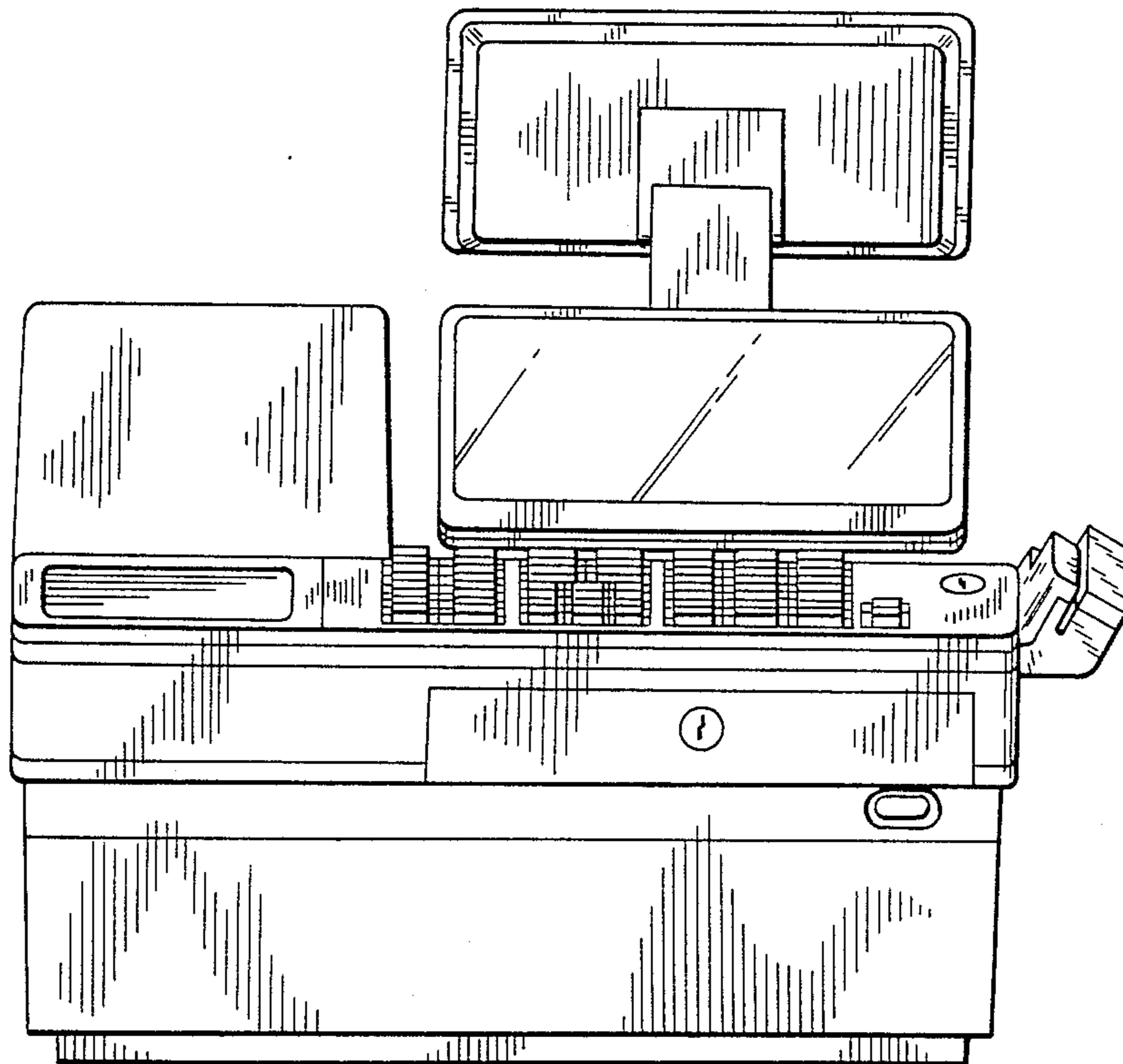


FIG. 3

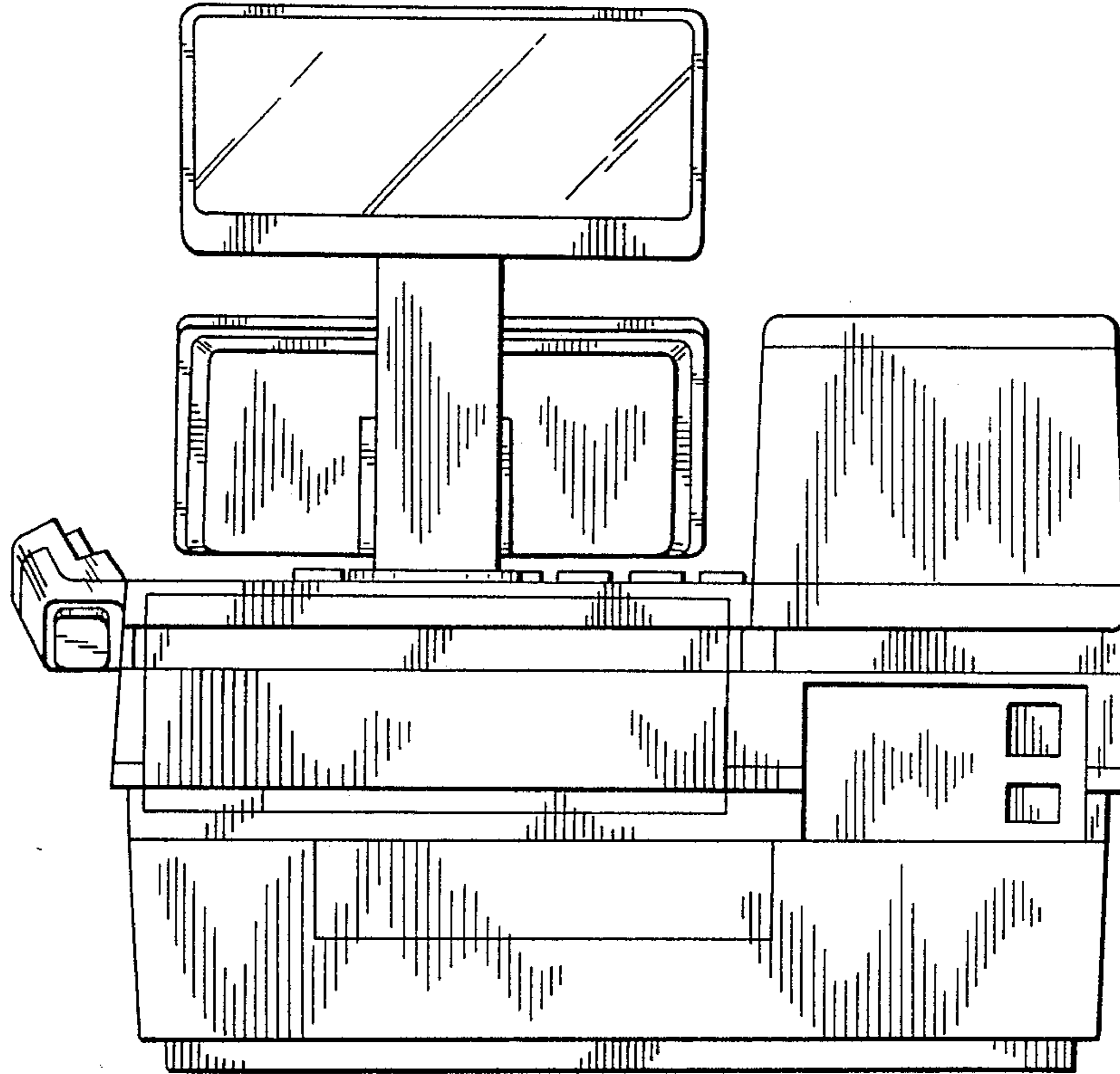


FIG. 4

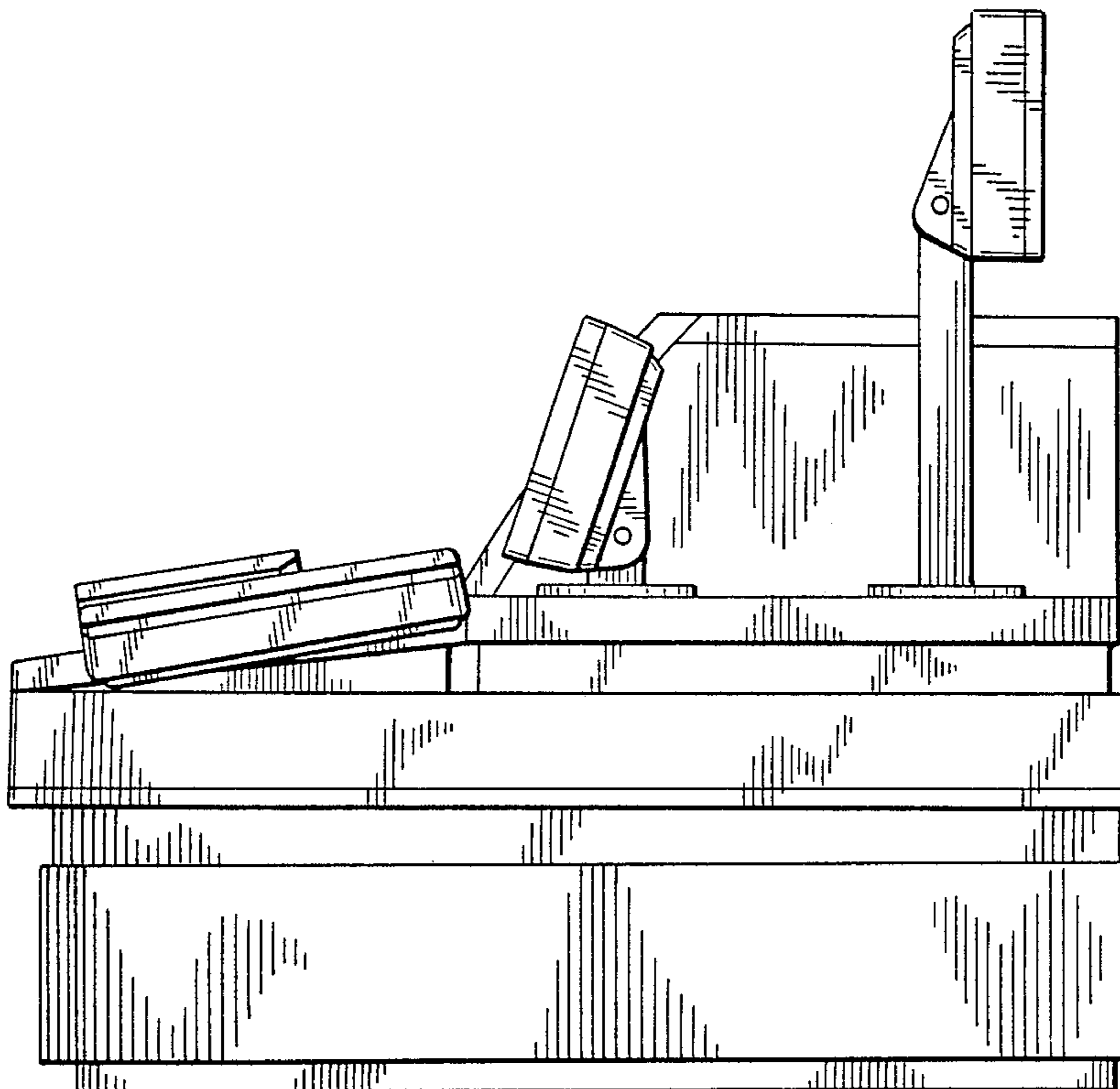


FIG. 5

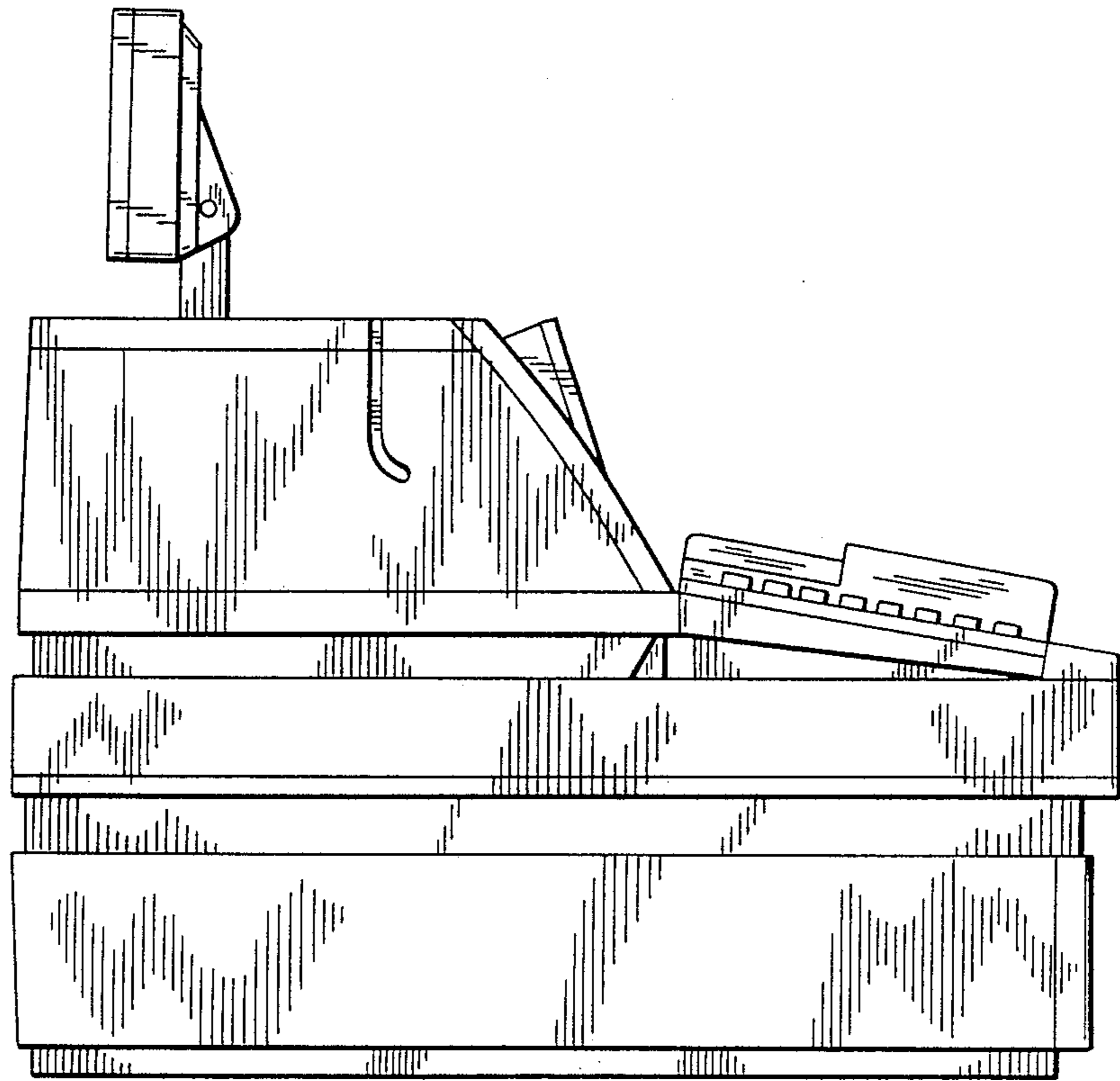


FIG. 6

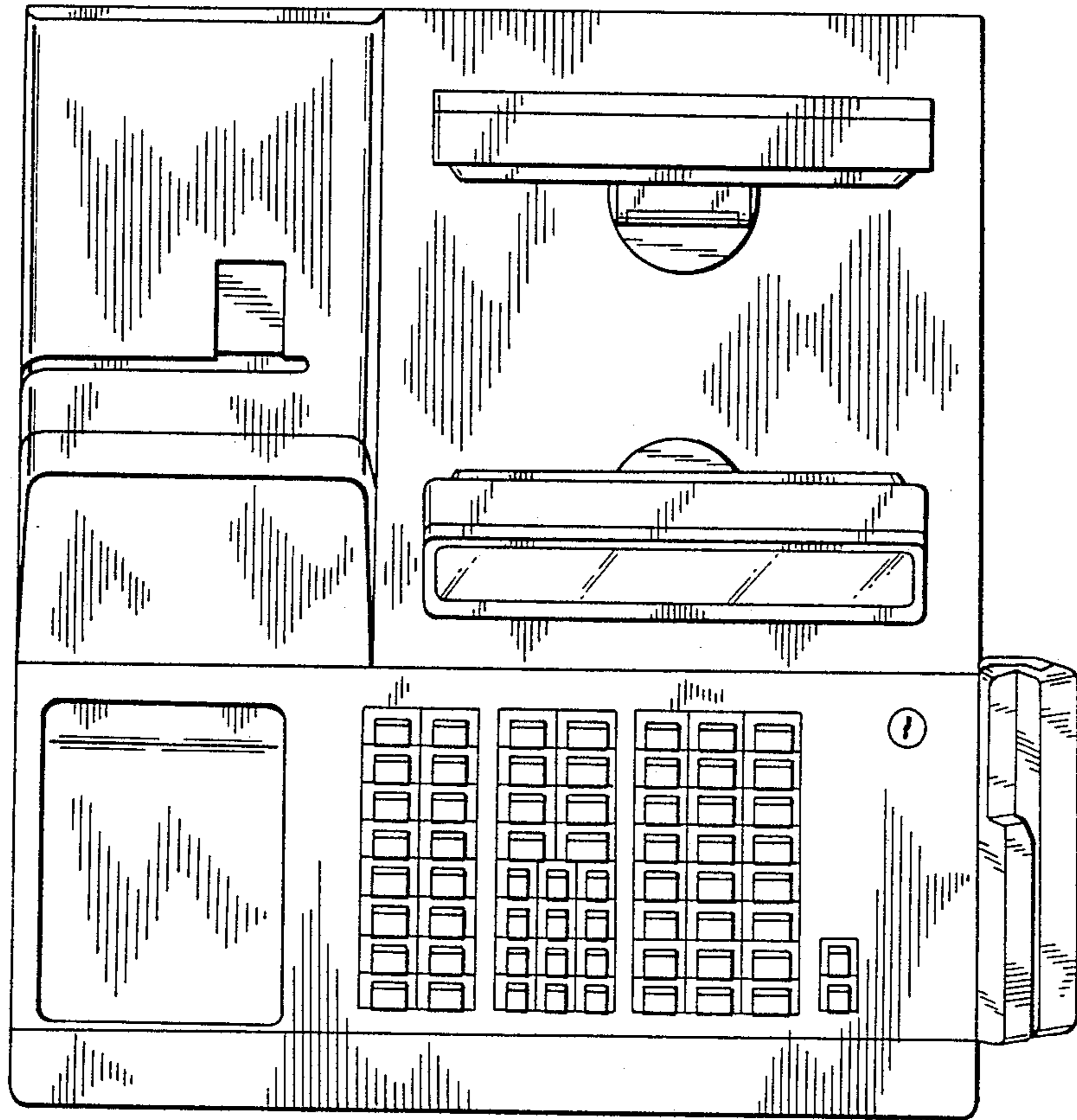


FIG. 7

