

[54] **TELEPHONE SET**

[75] Inventor: **Kunio Yamakawa, Zama, Japan**

[73] Assignee: **Kanda Tsushin Kogyo Co., Ltd., Tokyo, Japan**

[**] Term: **14 Years**

[21] Appl. No.: **166,917**

[22] Filed: **Mar. 11, 1988**

[30] **Foreign Application Priority Data**

Sep. 19, 1987 [JP] Japan 62-38187

Sep. 19, 1987 [JP] Japan 62-38188

[52] U.S. Cl. **D14/151; D14/150; D14/142**

[58] Field of Search **D14/151, 150, 149, 140; 379/440, 436, 435, 433, 419, 420, 428, 432**

[56] **References Cited**

U.S. PATENT DOCUMENTS

- D. 287,490 12/1986 Sekiguchi et al. D14/151
- D. 287,722 1/1987 Kido D14/151
- D. 294,023 2/1988 Sekiguchi et al. D14/151
- D. 294,351 2/1988 Richter et al. D14/151
- D. 294,497 3/1988 Oshima et al. D14/151
- D. 295,407 4/1988 Aschaver D14/151
- D. 298,130 10/1988 Komatsu D14/151
- D. 298,939 12/1988 Morikawa et al. D14/151
- D. 299,134 12/1988 Kido et al. D14/151
- D. 299,342 1/1989 Büchin D14/151

Primary Examiner—Horace B. Fay, Jr.
Attorney, Agent, or Firm—Bacon & Thomas

[57] **CLAIM**

The ornamental design for a telephone set, as shown and described.

DESCRIPTION

FIG. 1 is a top and right side perspective view of a telephone set showing my new design in cradled relationship;

FIG. 2 is a top and left side perspective view thereof with the handset shown inverted and spaced apart from the base;

FIG. 3 is a front elevational view thereof;

FIG. 4 is a right side elevational view thereof;

FIG. 5 is a top plan view thereof;

FIG. 6 is a rear elevational view thereof;

FIG. 7 is a left side elevational view thereof;

FIG. 8 is a bottom plan view thereof;

FIG. 9 is a top right side perspective view of a second embodiment thereof, in cradled relationship.

FIG. 10 is a top and left side perspective view thereof with the handset shown inverted and spaced apart from the base.

The left side, right side and rear elevational views of the second embodiment shown in FIGS. 9 and 10 are exactly the same as the corresponding views shown for the front embodiment as shown in FIGS. 1-8. The only difference between first and second embodiments resides in the configuration of the top portion of the stand = the keyboard.

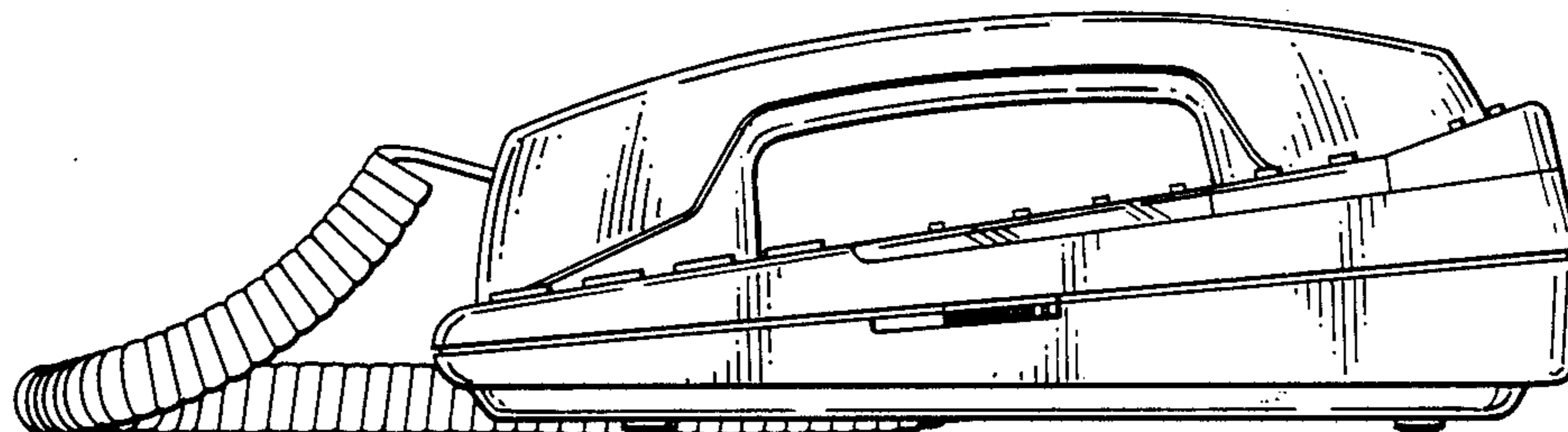
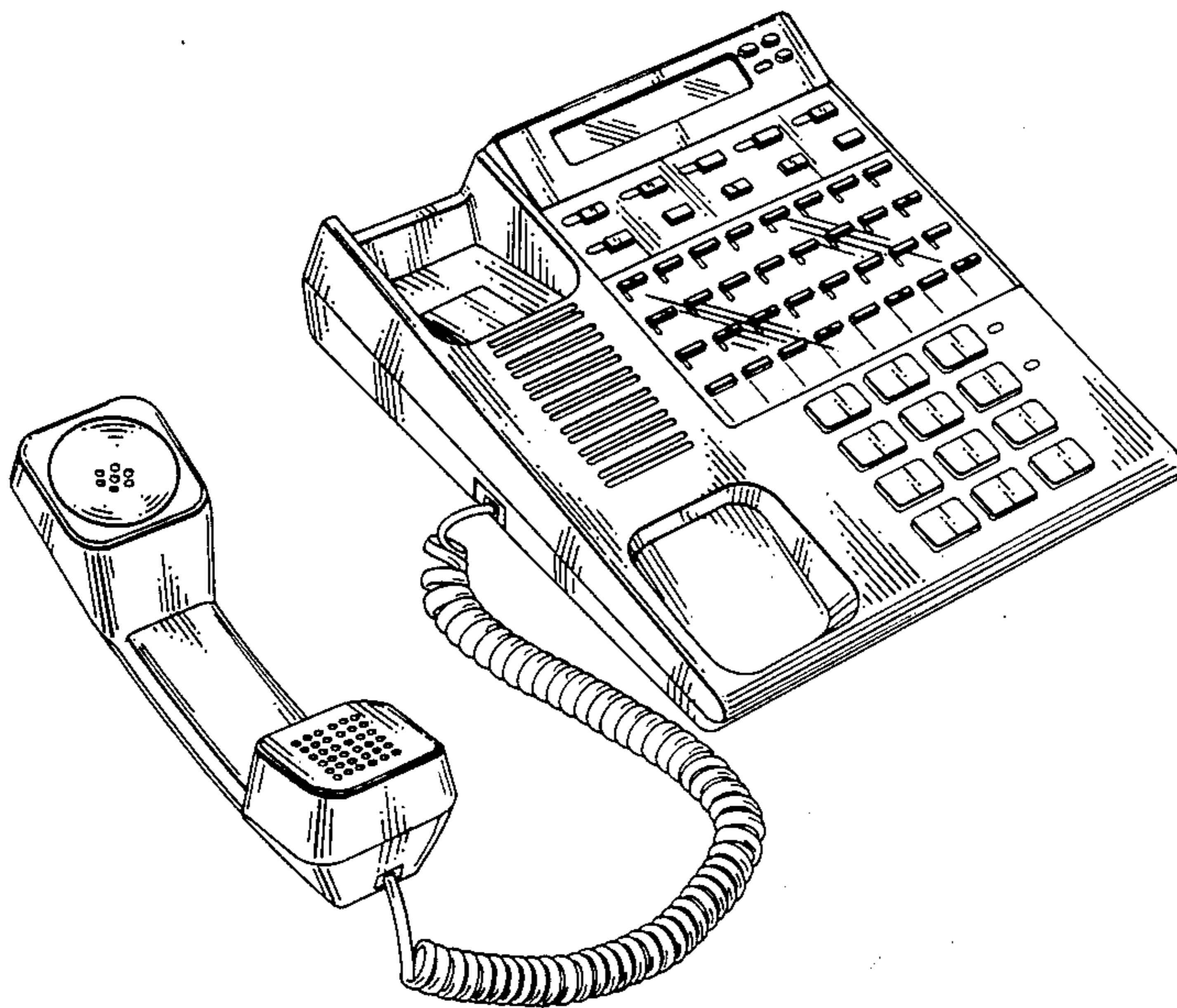


FIG. 1

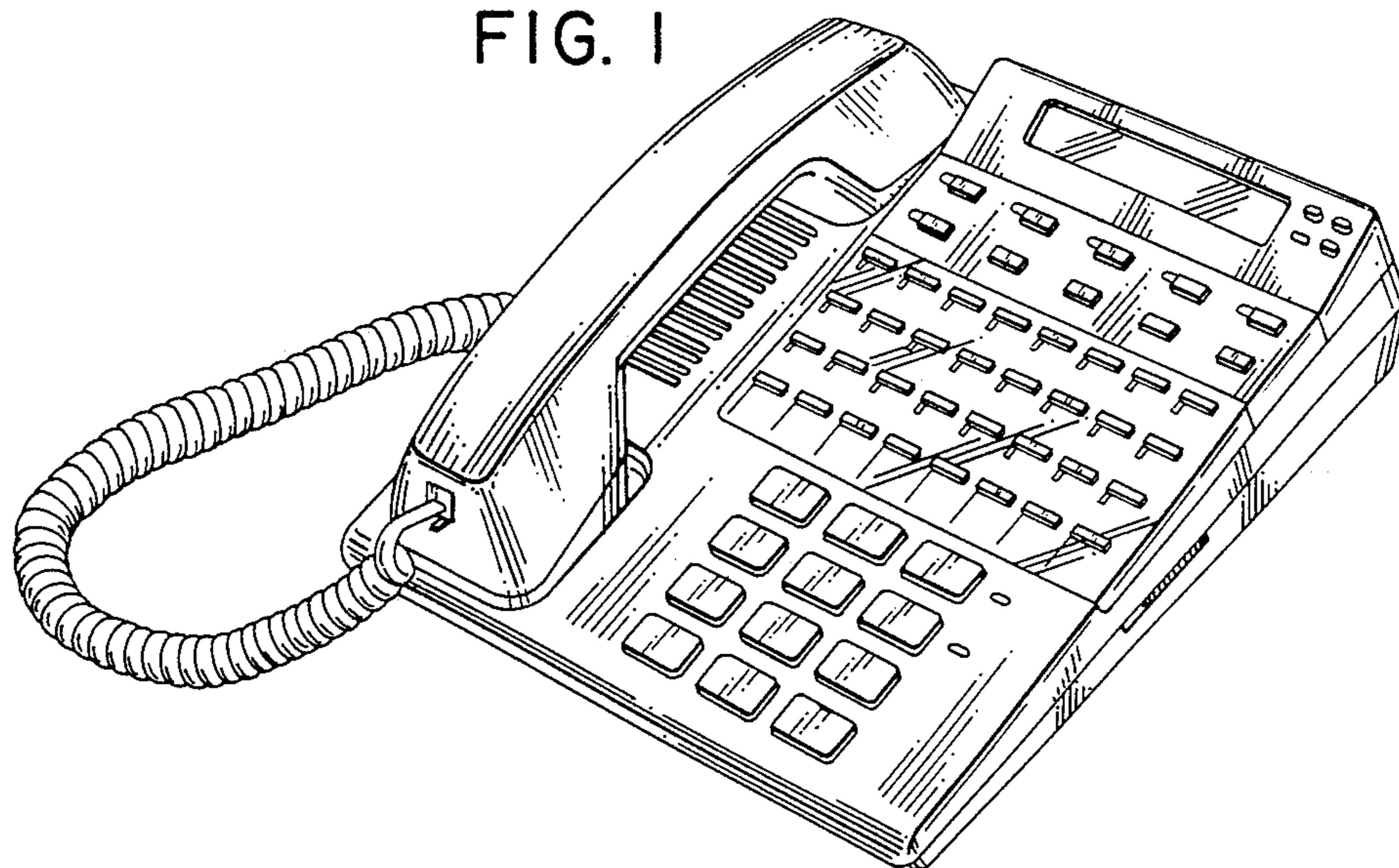


FIG. 2

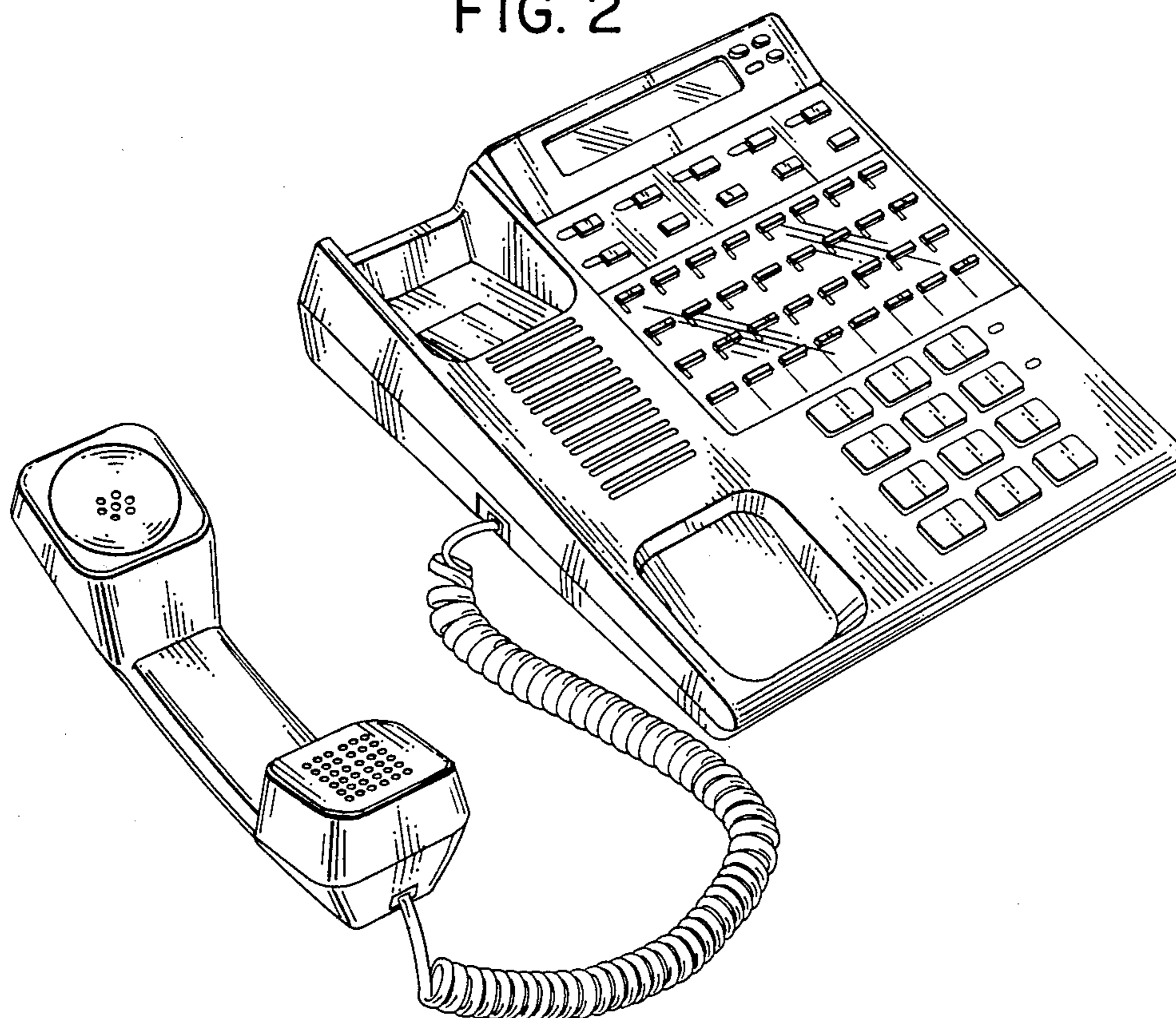


FIG. 3

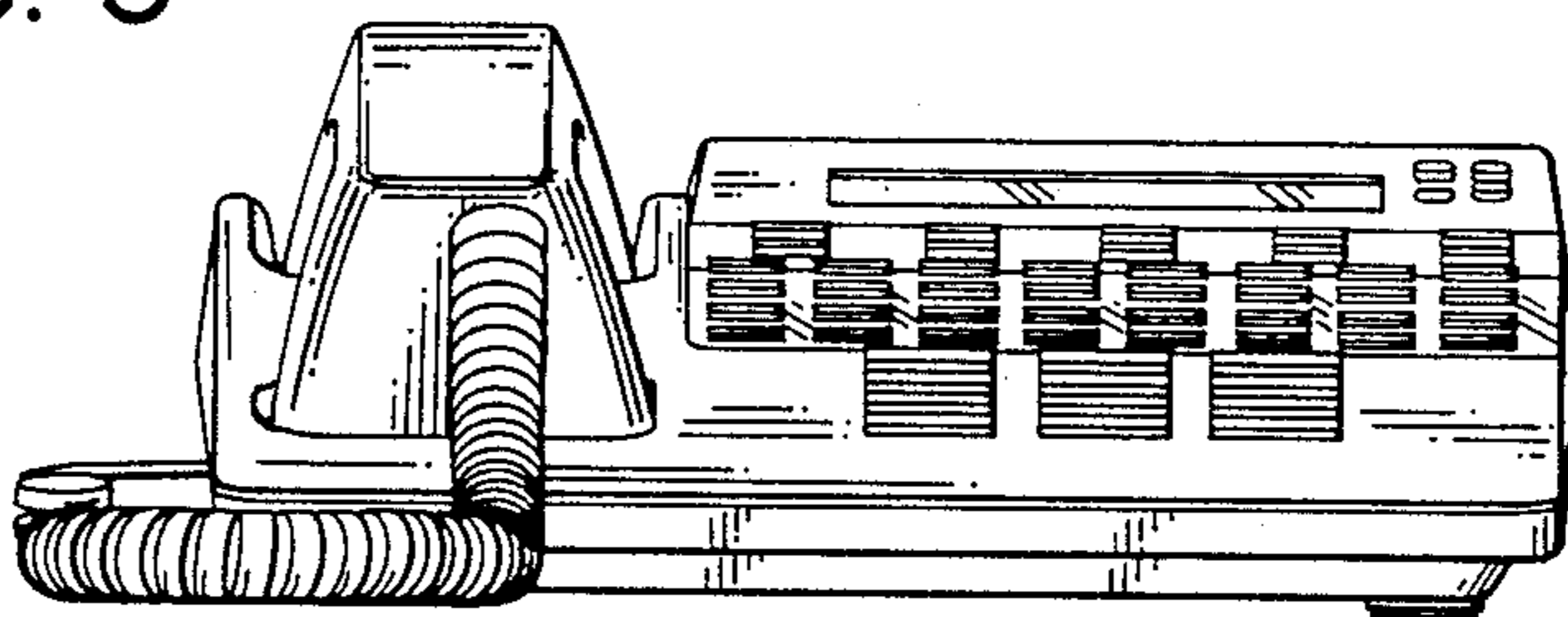


FIG. 4

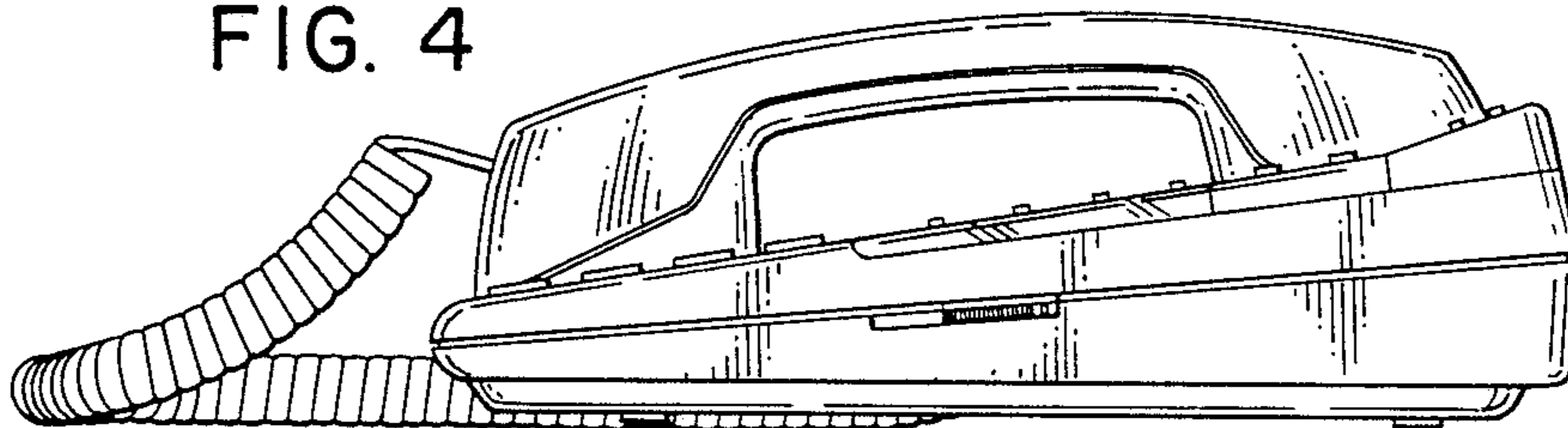


FIG. 5

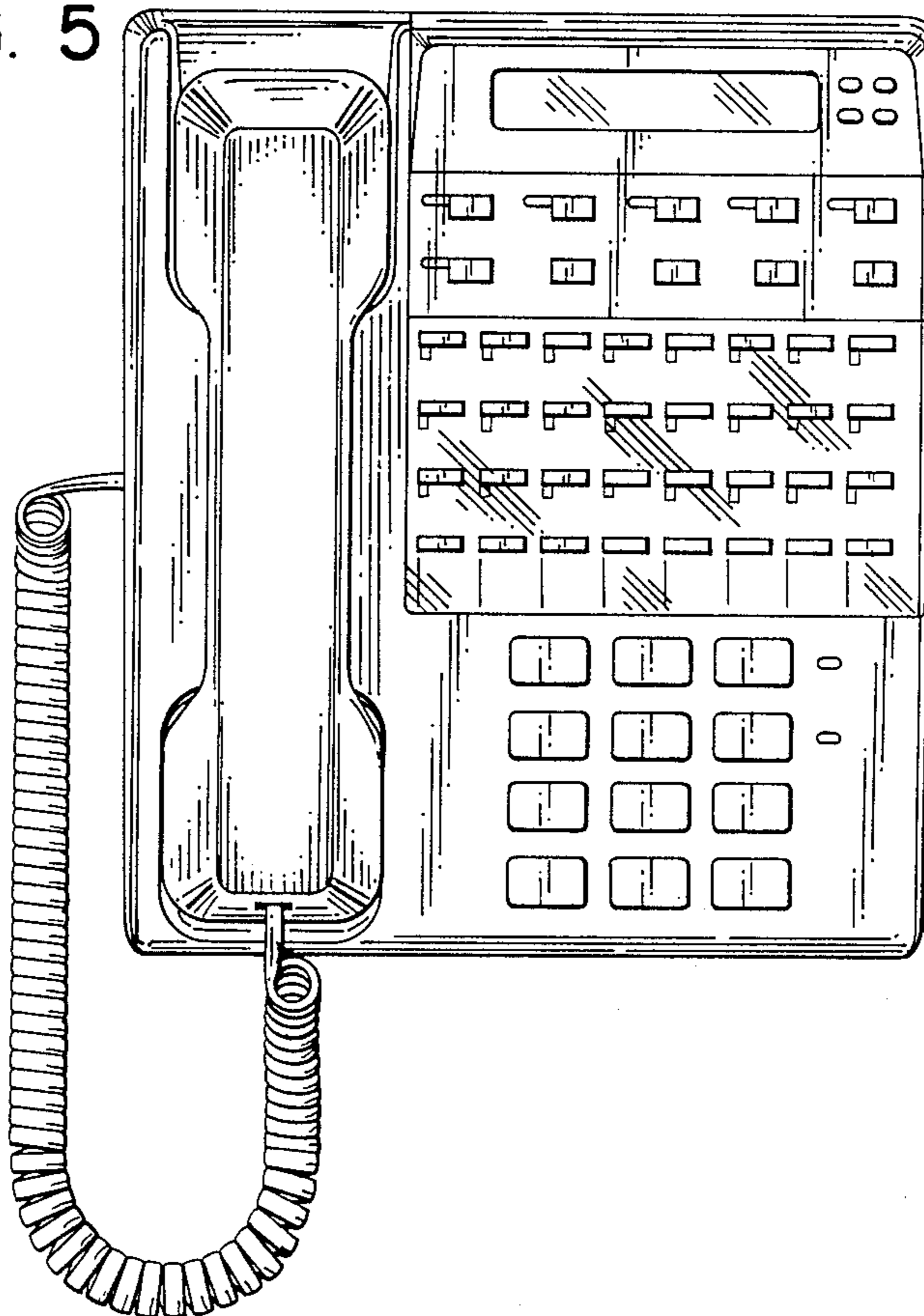


FIG. 6

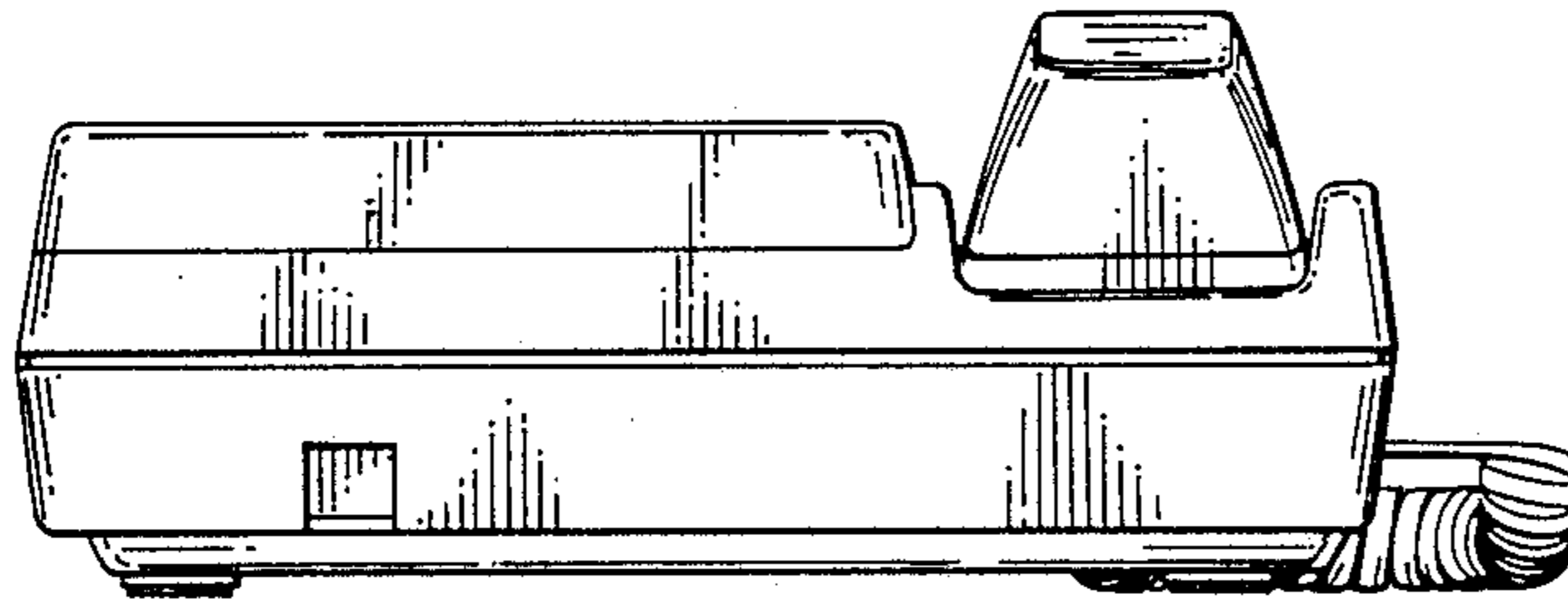


FIG. 7

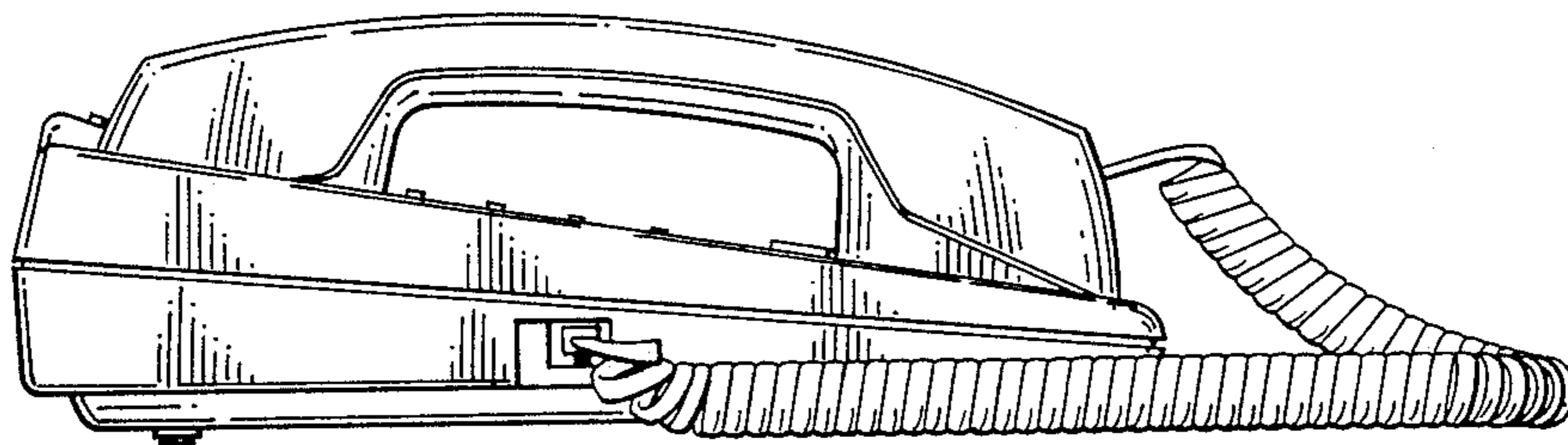


FIG. 8

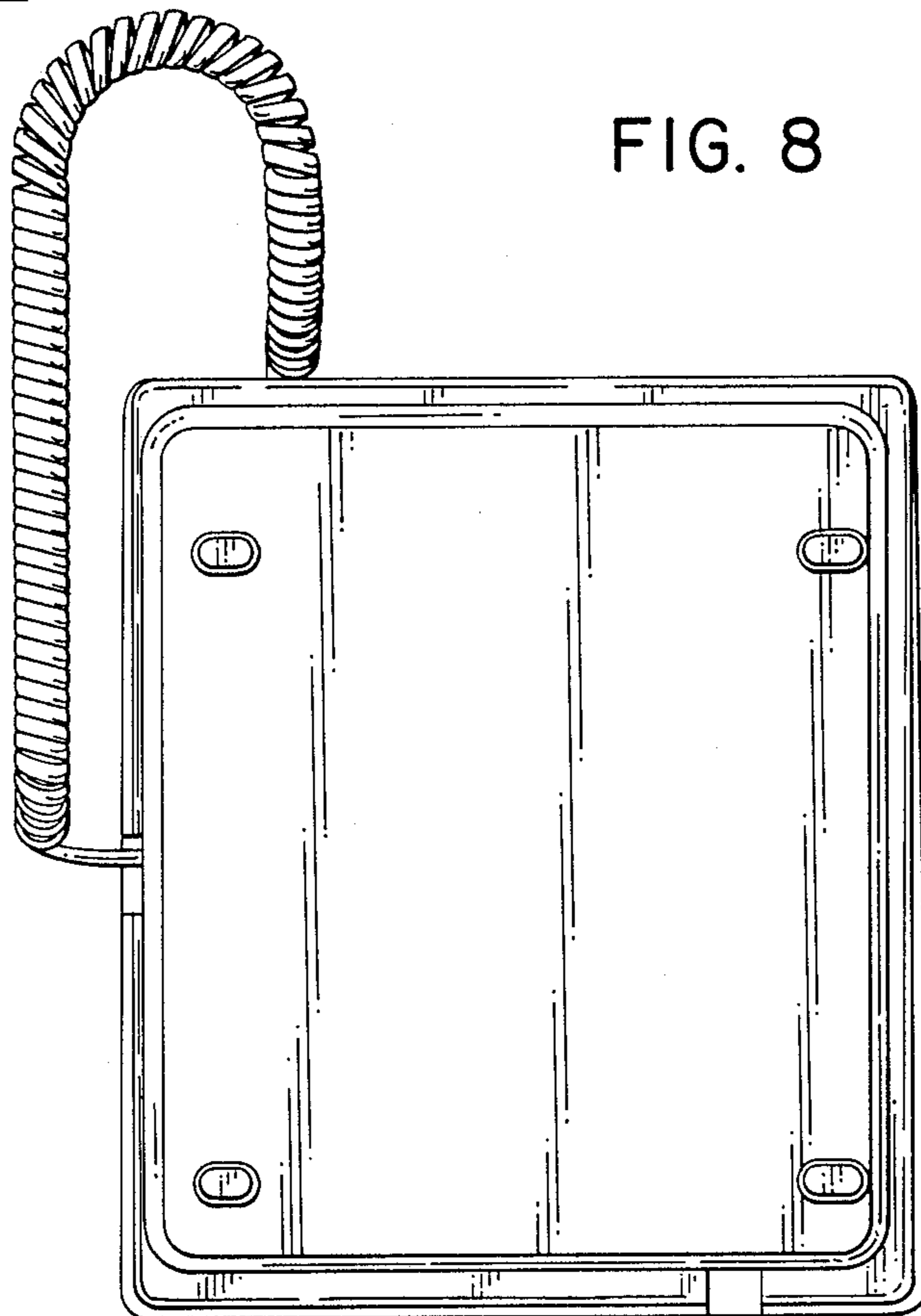


FIG. 9

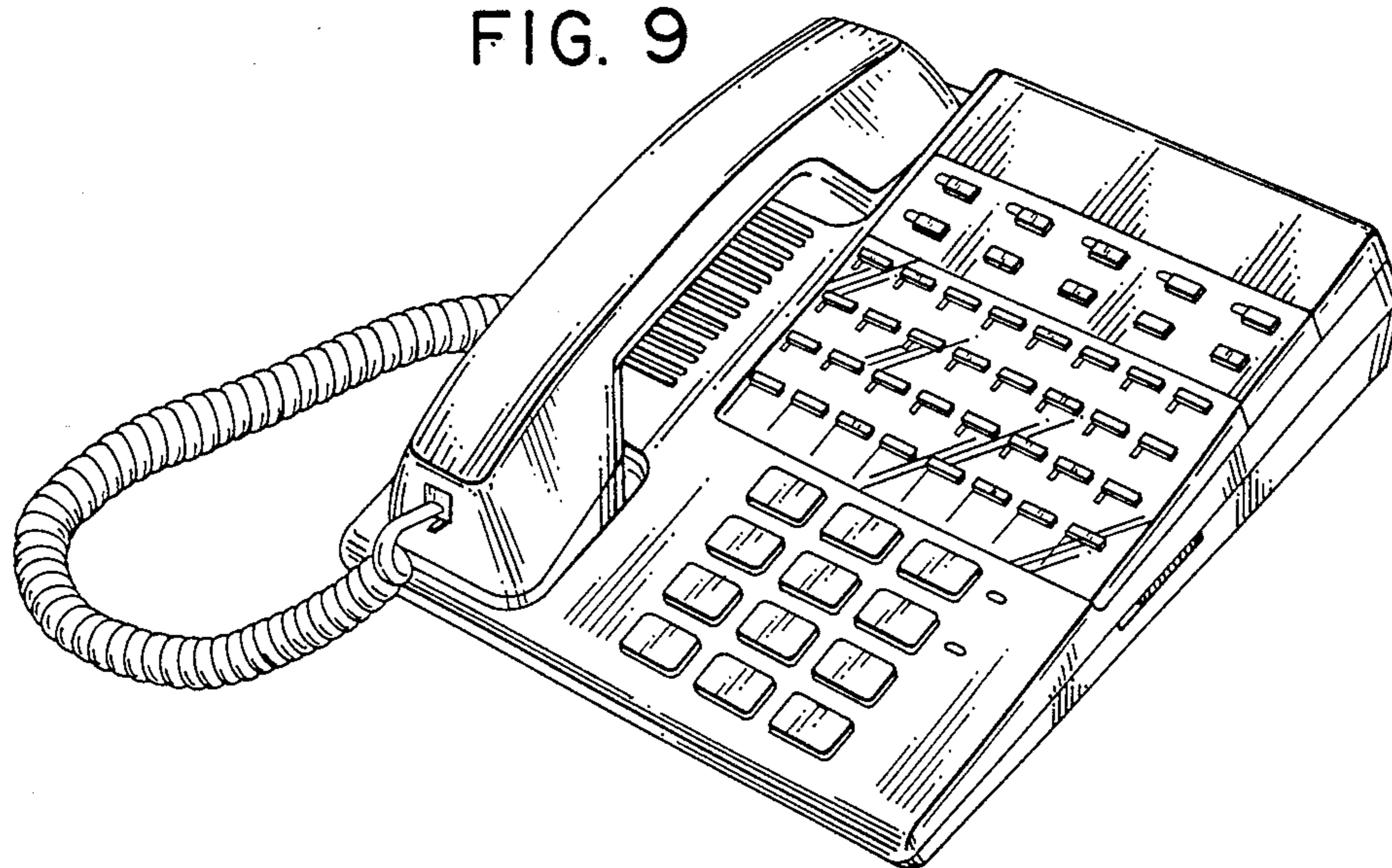


FIG. 10

