

[54] TELEPHONE SET

[75] Inventor: Eiichi Taniguchi, Kawasaki, Japan

[73] Assignee: Nitsuko Corporation, Kanagawa, Japan

[**] Term: 14 Years

[21] Appl. No.: 154,133

[22] Filed: Feb. 9, 1988

[30] Foreign Application Priority Data

Oct. 12, 1987 [JP] Japan 62-41309

[52] U.S. Cl. D14/146; D14/151; D14/142; D14/248

[58] Field of Search D14/146, 151, 142, 150; 379/440, 419, 357, 428, 433, 455, 436

[56] References Cited

U.S. PATENT DOCUMENTS

D. 283,890	5/1986	Britz	D14/146
D. 288,442	2/1987	Brown	D14/248
D. 291,563	8/1987	Penny	D14/146
D. 292,206	10/1987	Watanabe	D14/146
D. 294,497	3/1988	Oshima	D14/151
D. 298,130	10/1988	Komatsu	D14/151
D. 298,317	11/1988	Watanabe	D14/440
4,759,056	7/1988	Akiyama	379/357
4,790,007	12/1988	Richter et al.	379/436

FOREIGN PATENT DOCUMENTS

0231108	8/1987	European Pat. Off.	379/357
0097457	5/1987	Japan	379/357
0001134	1/1988	Japan	379/357
0069357	3/1988	Japan	379/357

OTHER PUBLICATIONS

Telephony, Jan. 16, 1984; p. 107: Anritsu Magnetic Card Phone.

Primary Examiner—Horace B. Fay, Jr.

Attorney, Agent, or Firm—Burns, Doane, Swecker & Mathis

[57] CLAIM

The ornamental design for a telephone set, as shown and described.

DESCRIPTION

FIG. 1 is a front, bottom and left side perspective view of the handset and a front, top, and right side perspective view of a telephone set showing my new design in off-hook status;

FIG. 2 is a front elevational view thereof;

FIG. 3 is a rear elevational view thereof;

FIG. 4 is a left side elevational view thereof;

FIG. 5 is a right side elevational view thereof;

FIG. 6 is a top plan view thereof; and

FIG. 7 is a bottom plan view thereof.

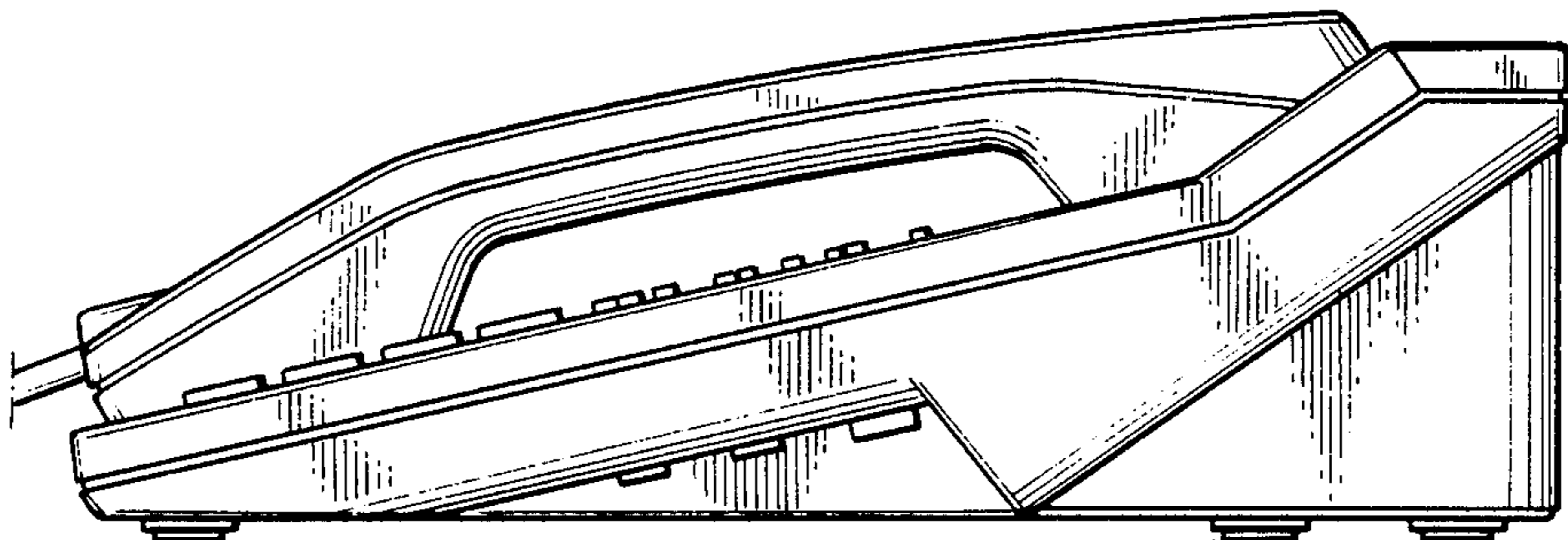
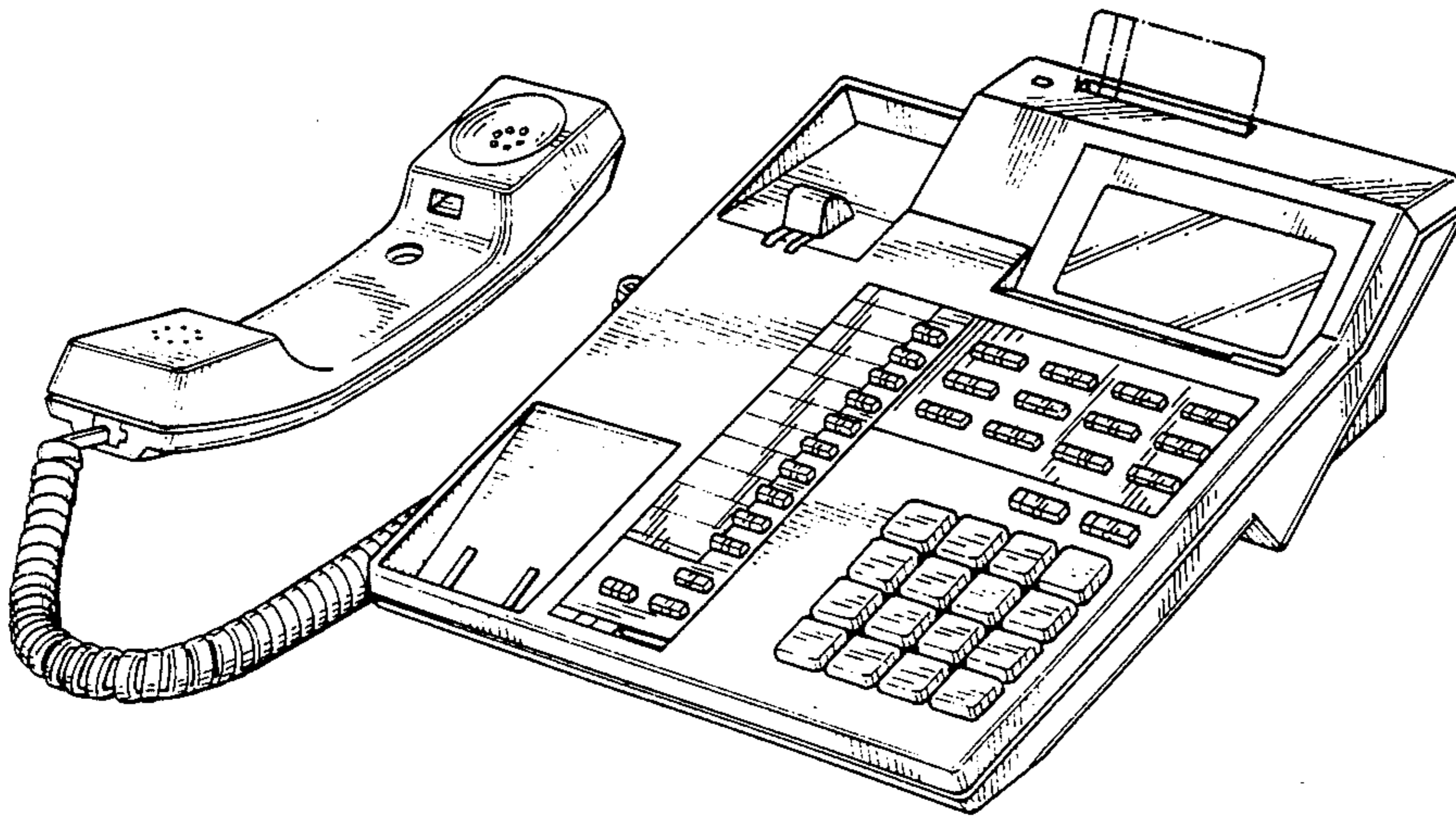


Fig. 1

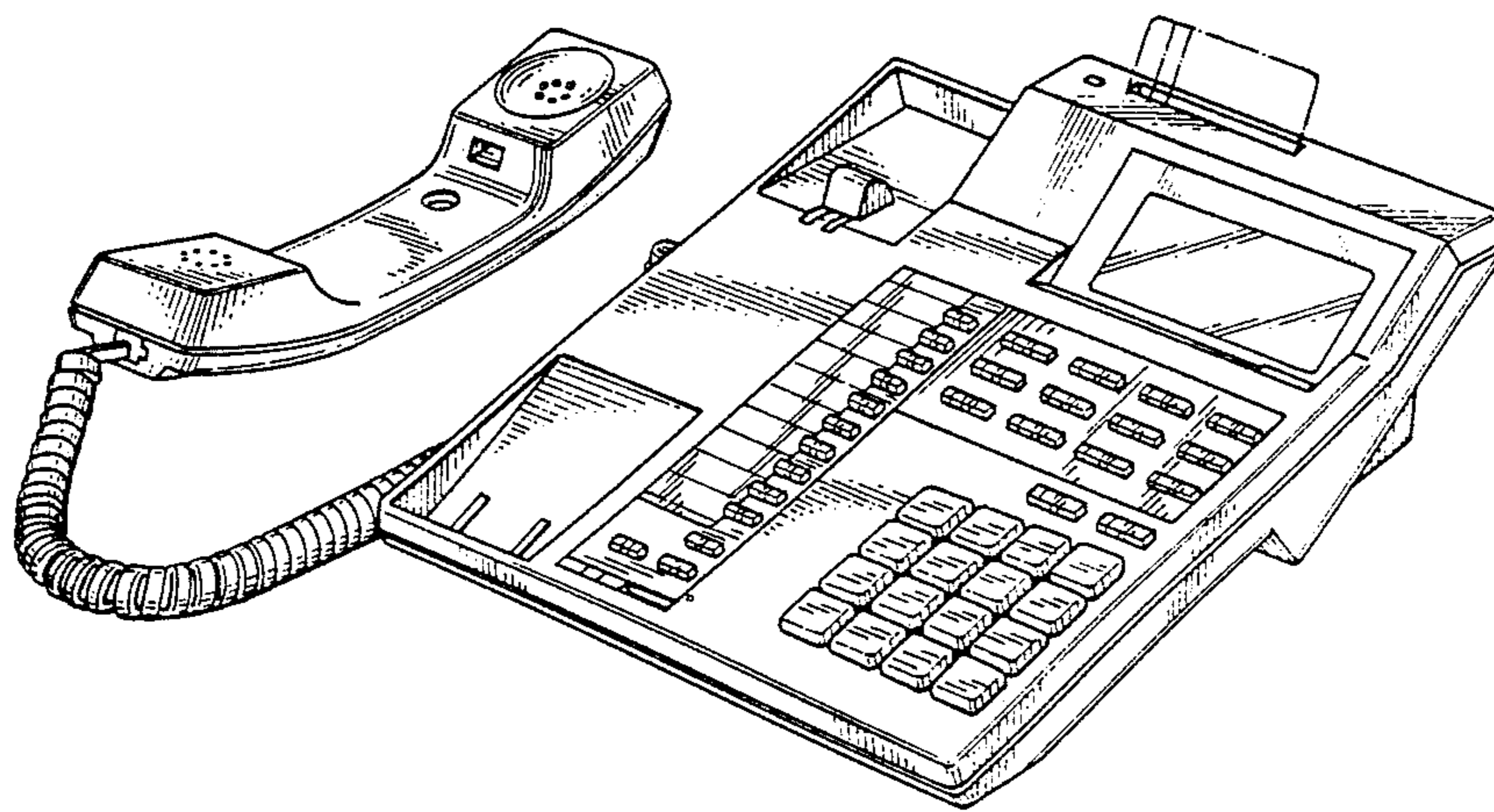


Fig. 2

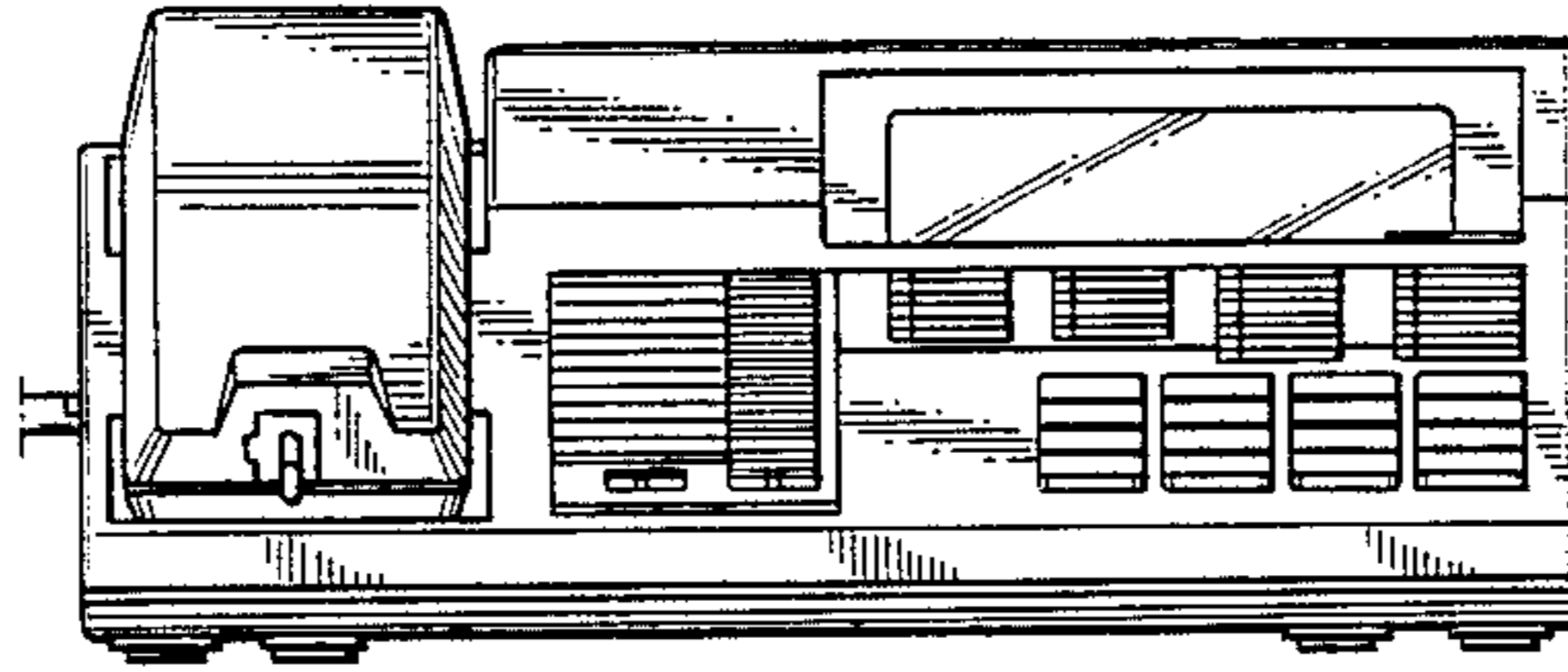


Fig. 3

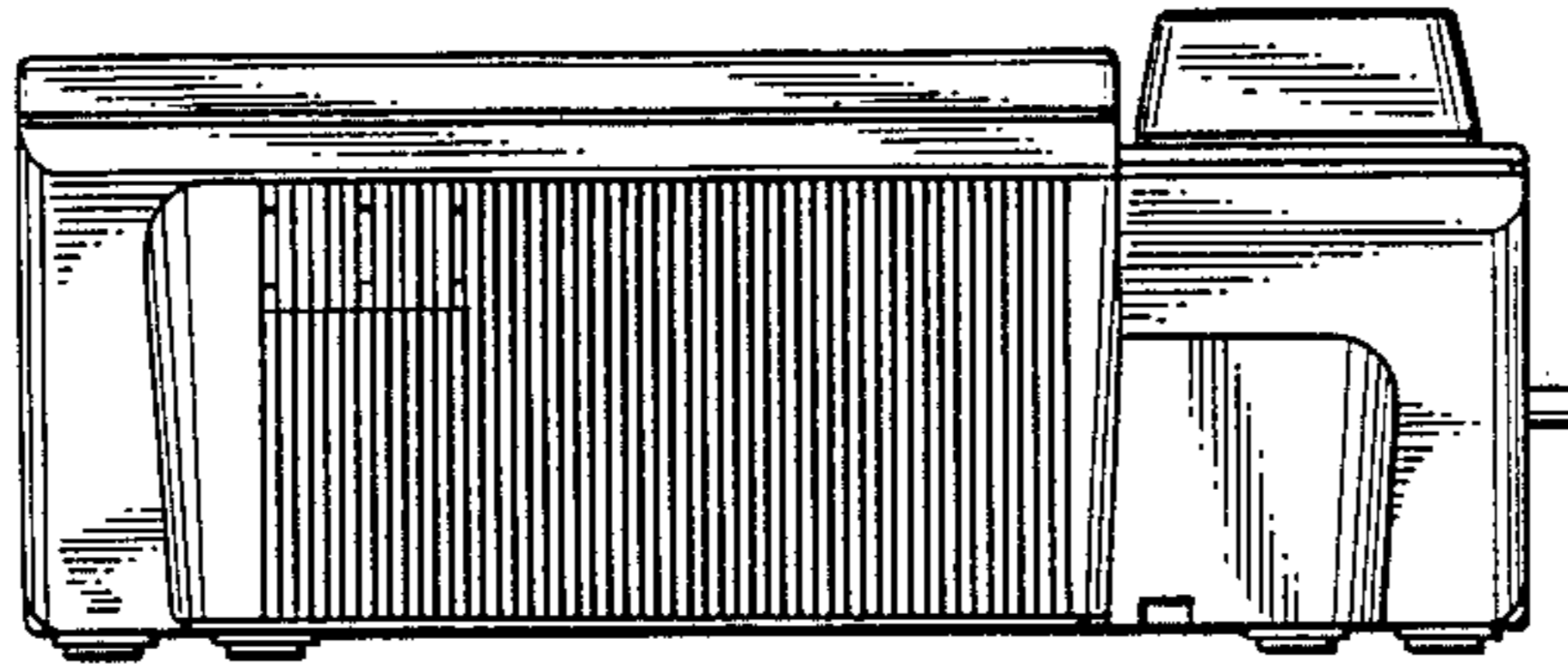


Fig. 4

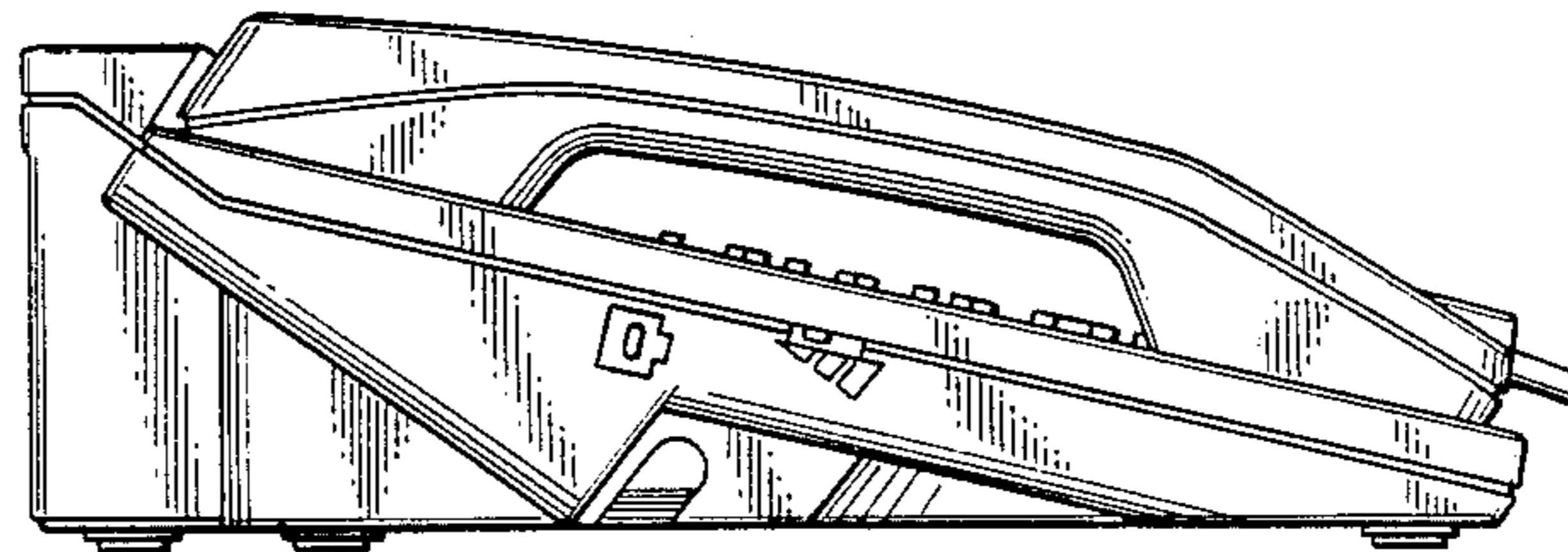


Fig. 5

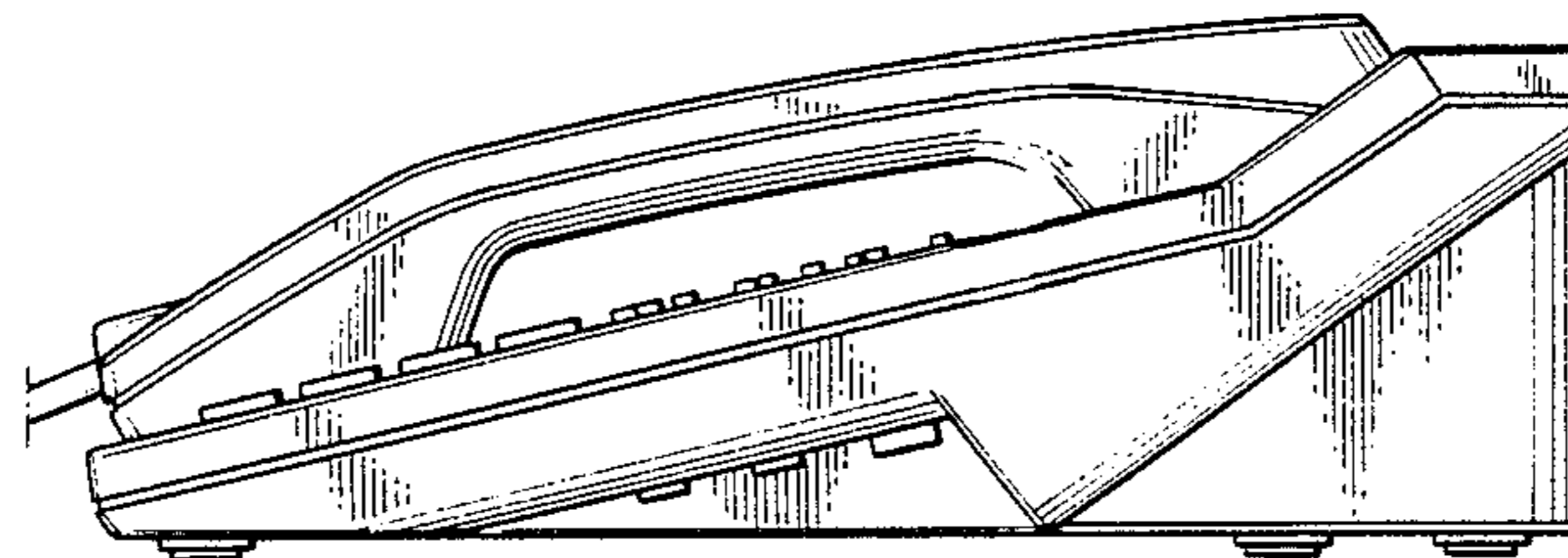


Fig. 6

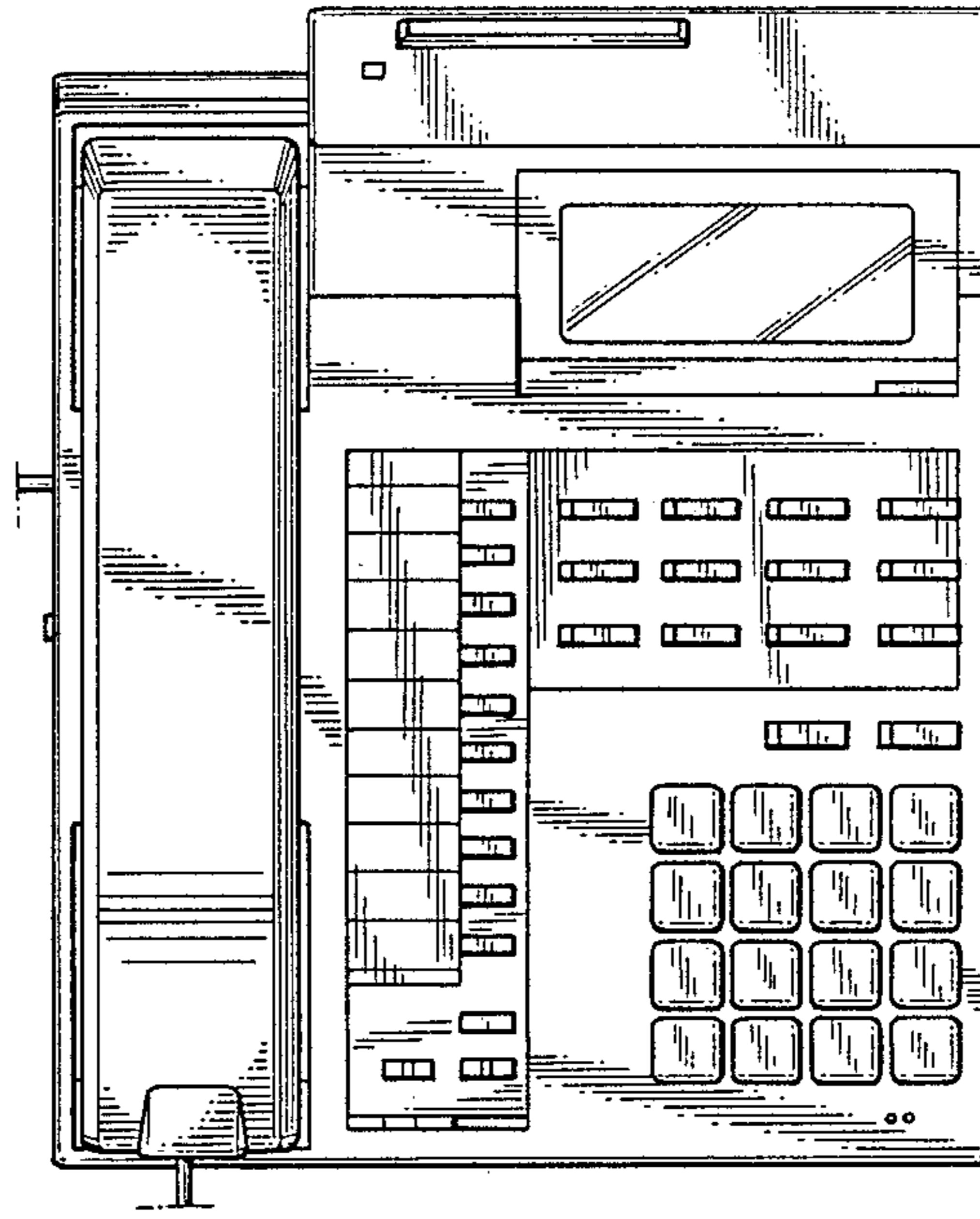


Fig. 7

