

[54] **PEDESTAL FOR CRT HOUSING**

[75] **Inventor: Robert Brunner, Palo Alto, Calif.**

[73] **Assignee: Esprit Systems, Inc., Melville, N.Y.**

[**] **Term: 14 Years**

[21] **Appl. No.: 914,600**

[22] **Filed: Oct. 1, 1986**

[52] **U.S. Cl. D14/114**

[58] **Field of Search D14/100, 105, 106, 107, D14/115, 113, 114, 102; D13/40, 41; 312/208; 340/700, 720, 815.06, 815.14; 364/130, 144, 708; 248/1 R, 1 A, 1 C, 1 I, 1 E, 1 J, 1 L, FIG. 1 B, 178, 122, 123.1, 283, 346, 371, 359 E, 359 R, 397, 455, 456, 457, 460, 463, 469, 473, 664, 676, 678, 680**

[56] **References Cited**

U.S. PATENT DOCUMENTS

1,821,060	9/1931	Isaacson	248/455
1,923,351	8/1933	Woodley	248/456
2,486,032	10/1949	Jimenez	248/678 X
2,656,098	10/1953	Hutton	248/68 X
4,555,081	11/1985	Ermanski	248/397 X

FOREIGN PATENT DOCUMENTS

0064927 11/1982 France 248/1 C

OTHER PUBLICATIONS

IBM Technical Disclosure Bulletin, vol. 21, No. 3-Aug. 1978, pp. 1147-1148.

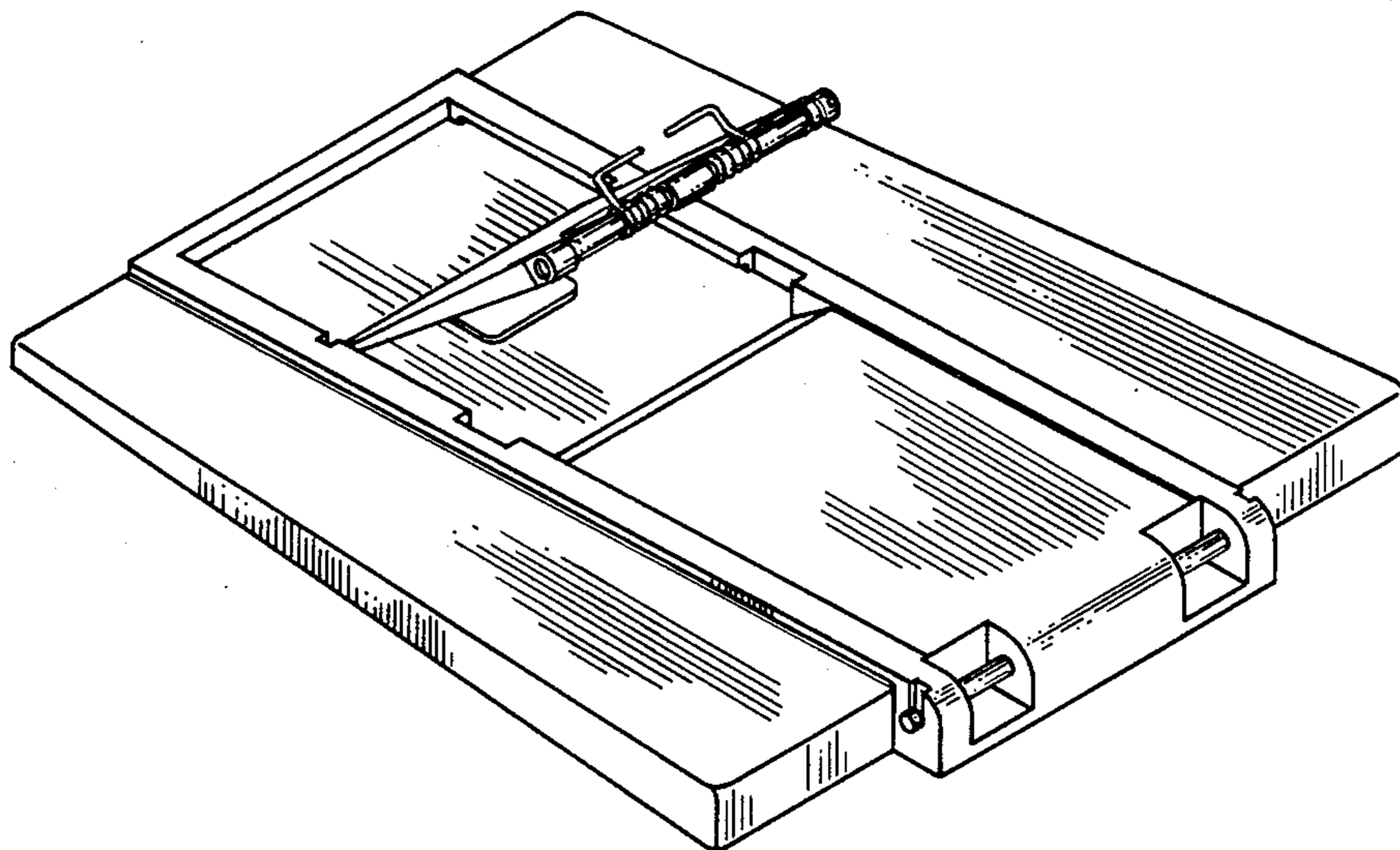
Primary Examiner—Susan J. Lucas
Assistant Examiner—Freda S. Nunn
Attorney, Agent, or Firm—Brumbaugh, Graves, Donohue & Raymond

[57] **CLAIM**

The ornamental design for a pedestal for a CRT housing, as shown and described.

DESCRIPTION

FIG. 1 is a right top front perspective view of the pedestal for a CRT housing showing my new design; FIG. 2 is a front elevational view thereof; FIG. 3 is a back elevational view thereof; FIG. 4 is a top plan view thereof; FIG. 5 is a bottom plan view thereof; FIG. 6 is a right side elevational view thereof; FIG. 7 is a left side elevational view thereof. The display monitor is shown in broken lines in FIGS. 2-7 for illustrative purposes only.



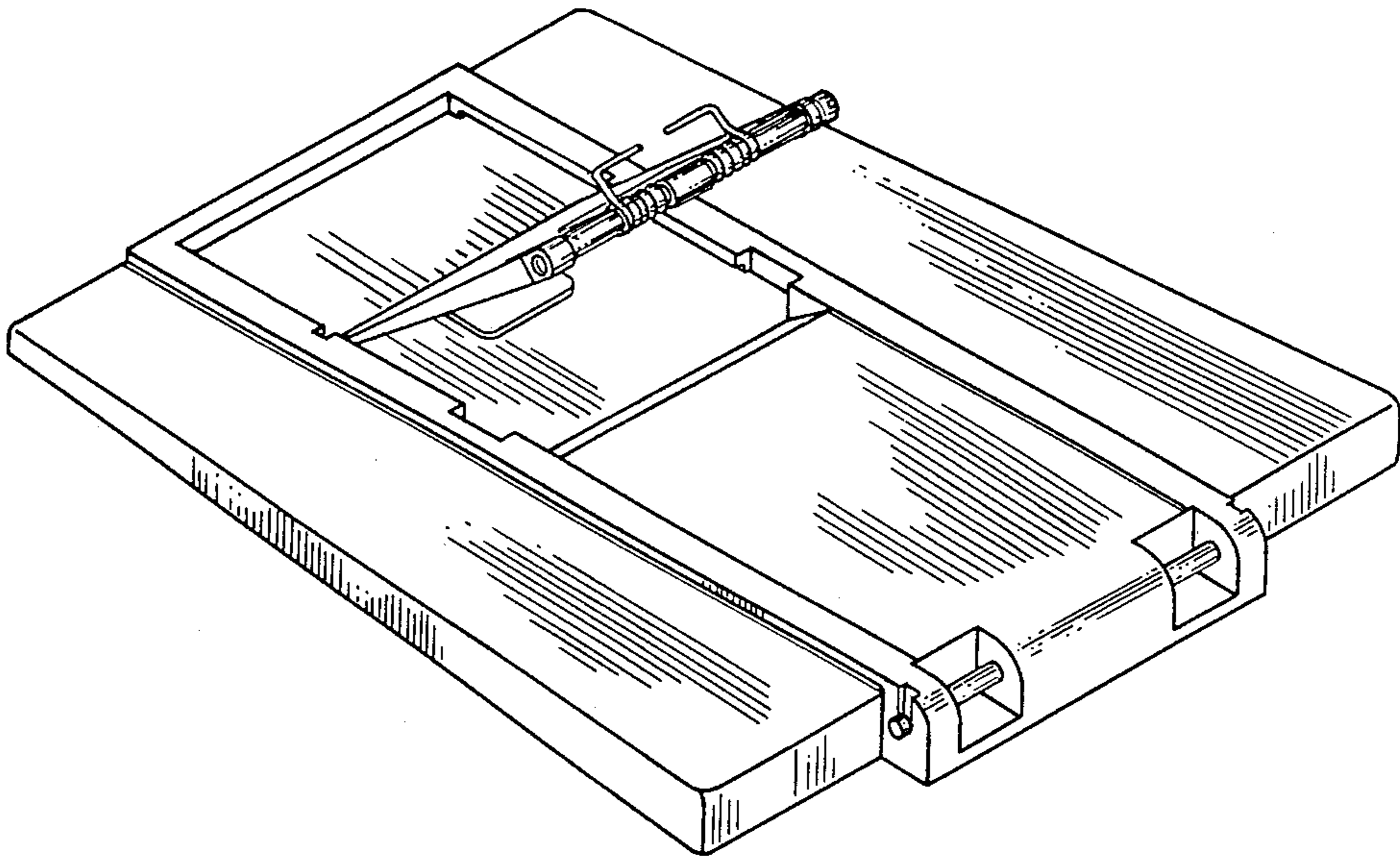


FIG. 1

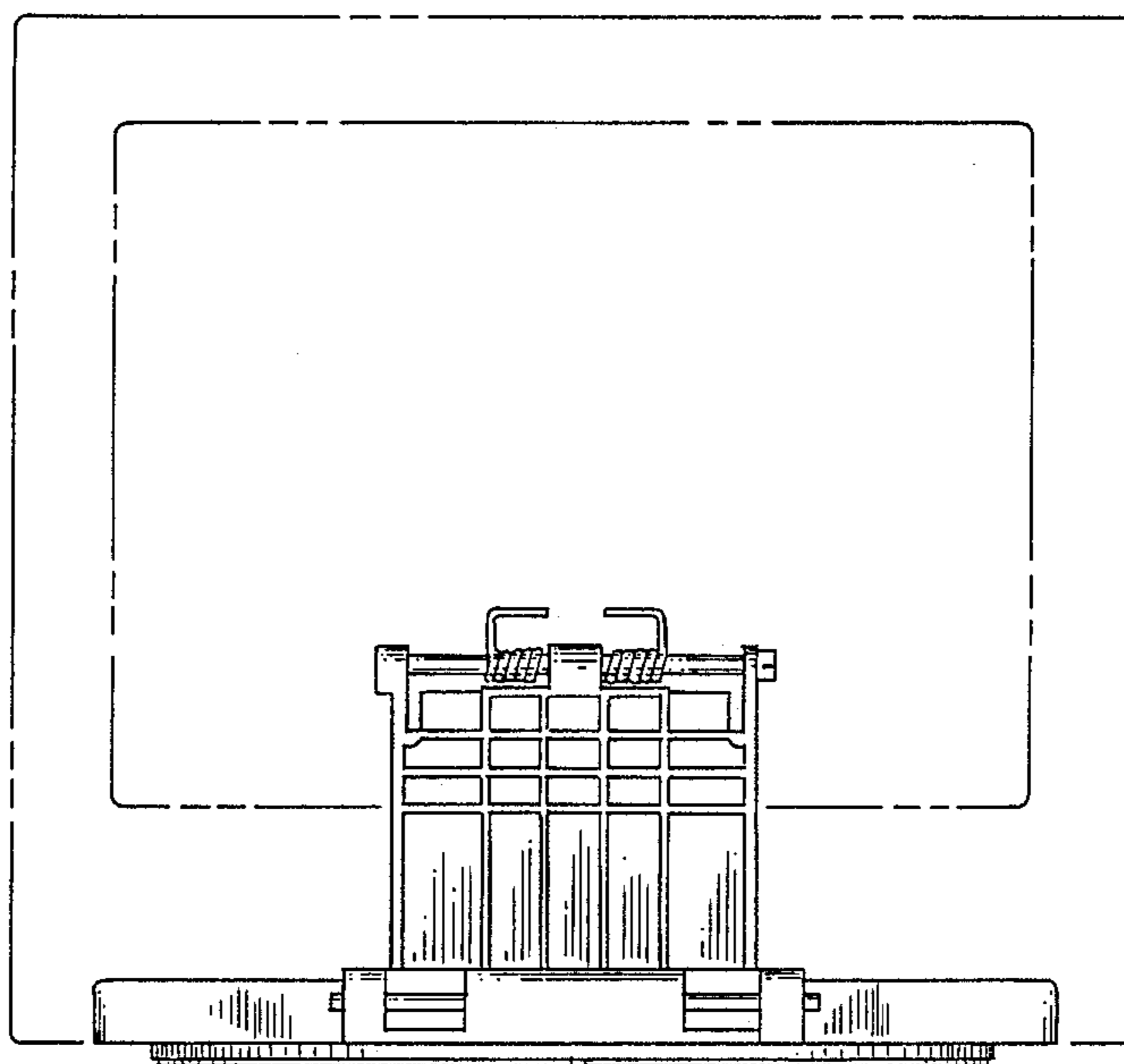


FIG. 2

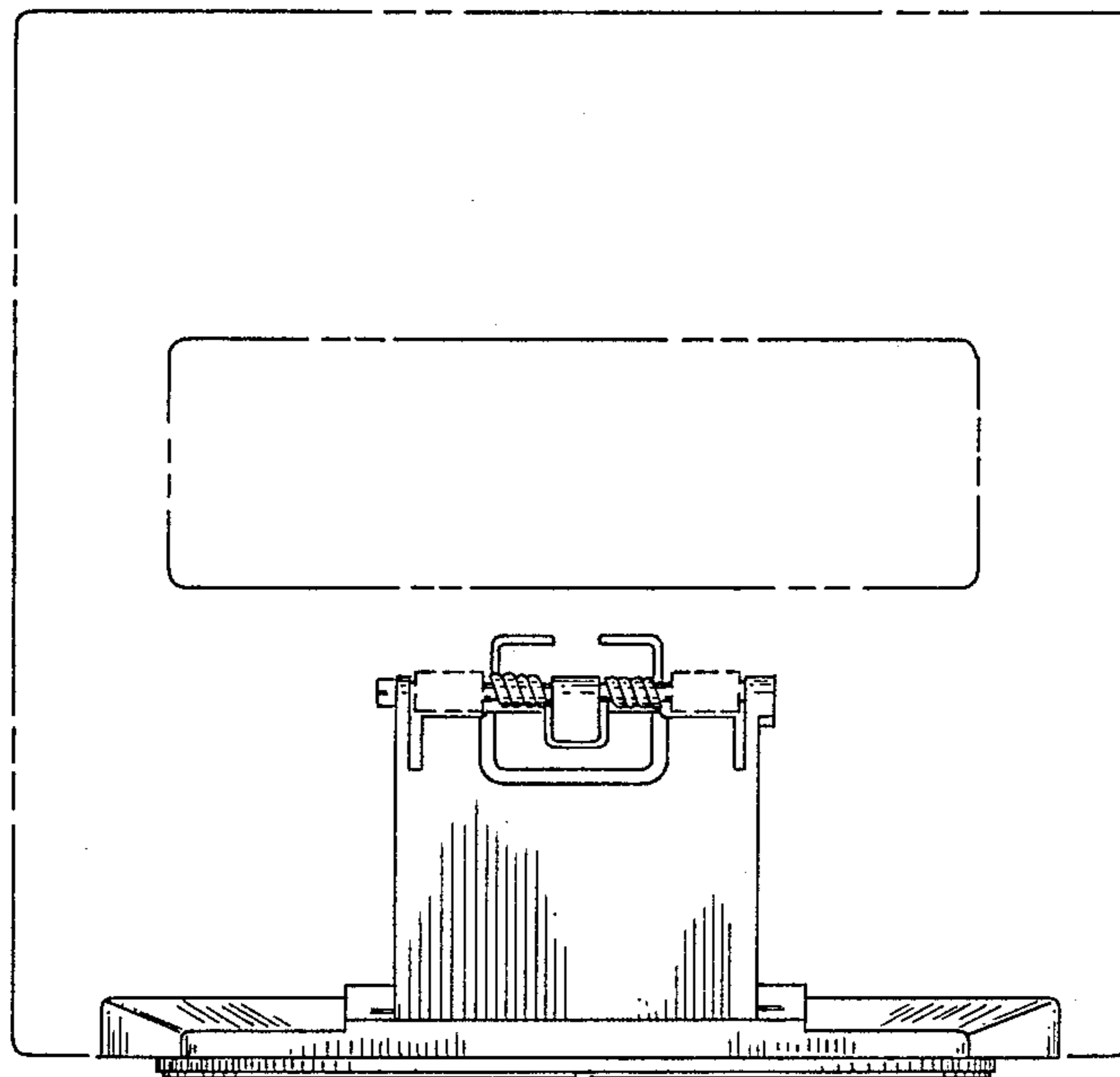


FIG. 3

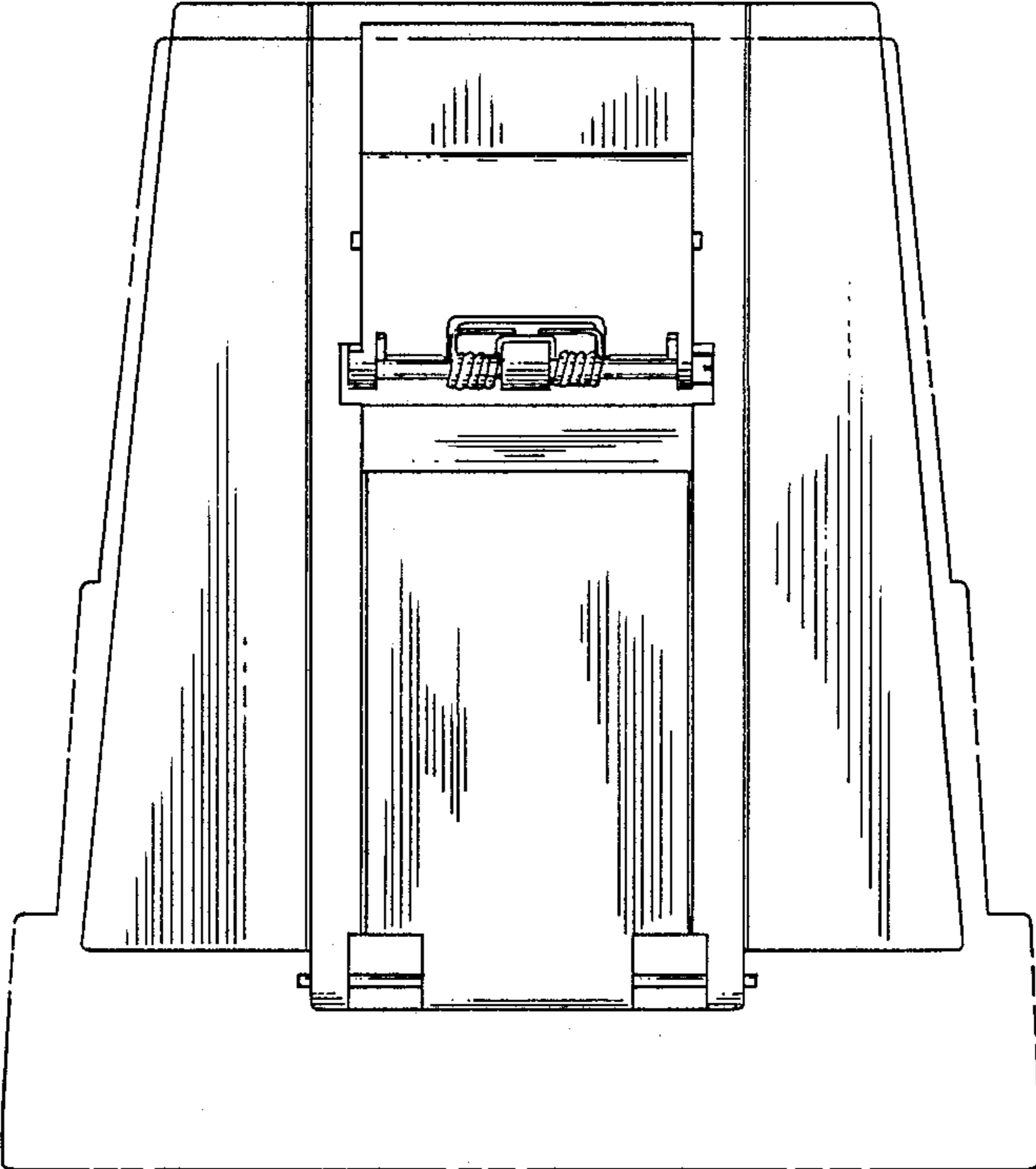


FIG. 4

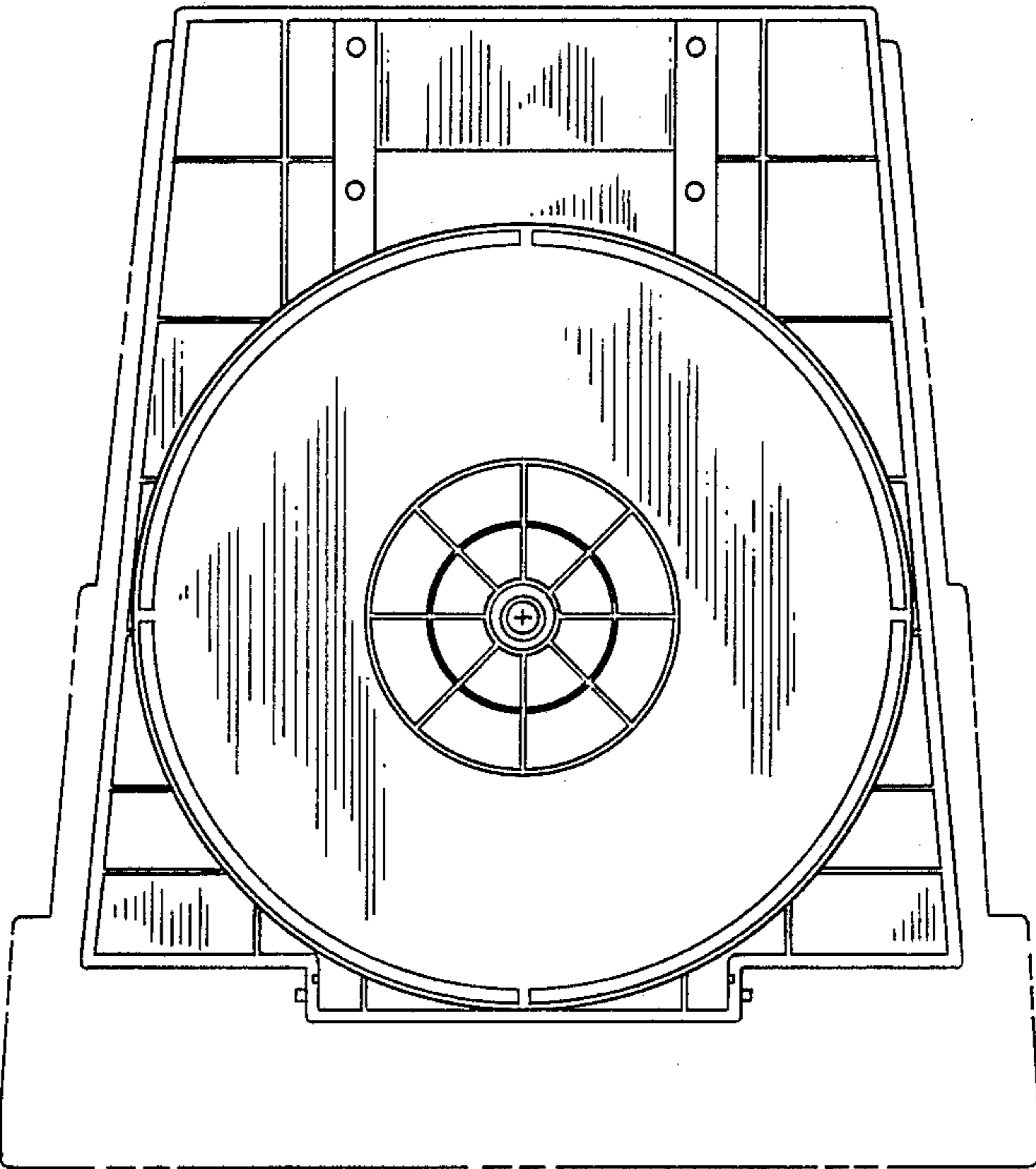


FIG. 5

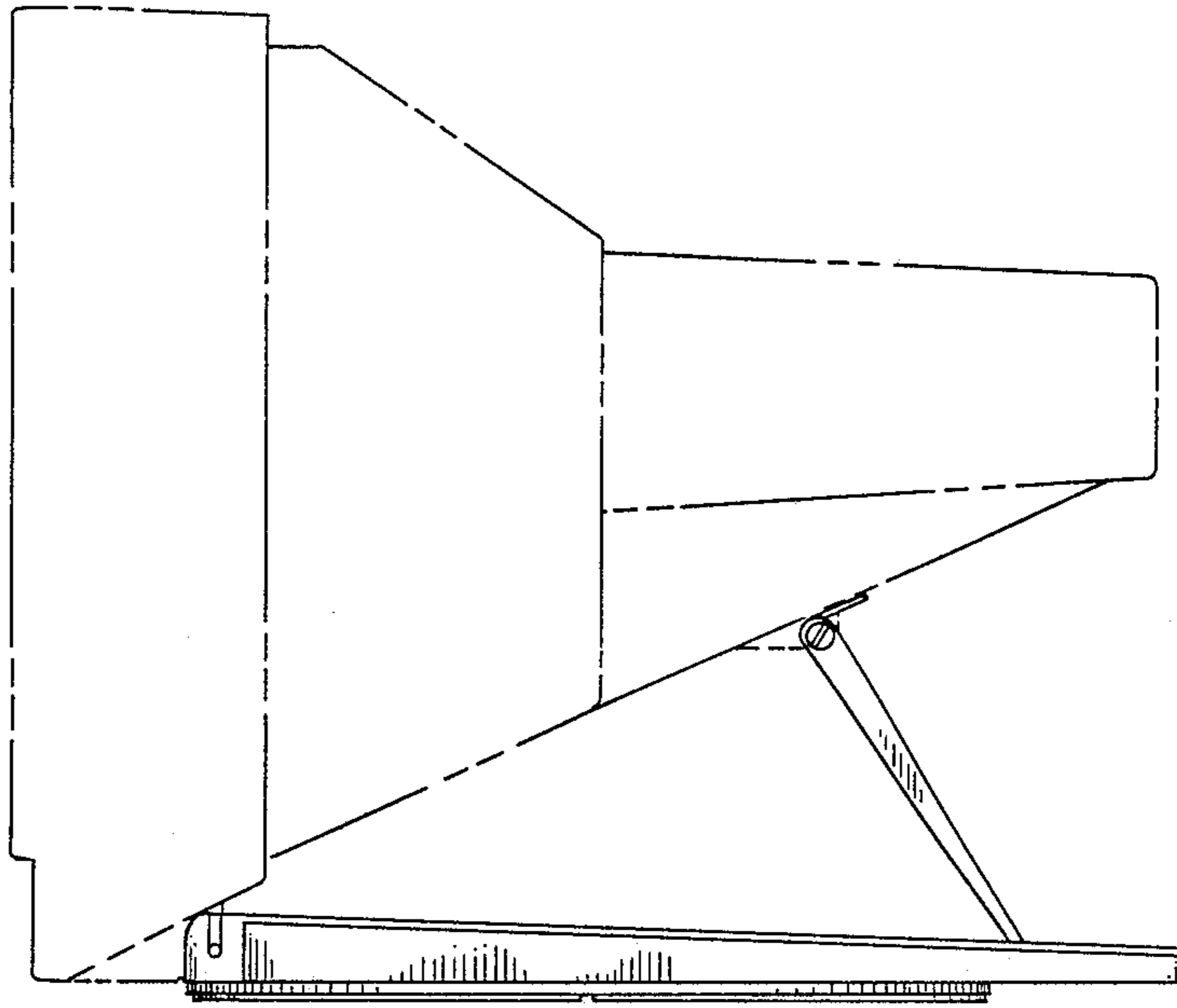


FIG. 6

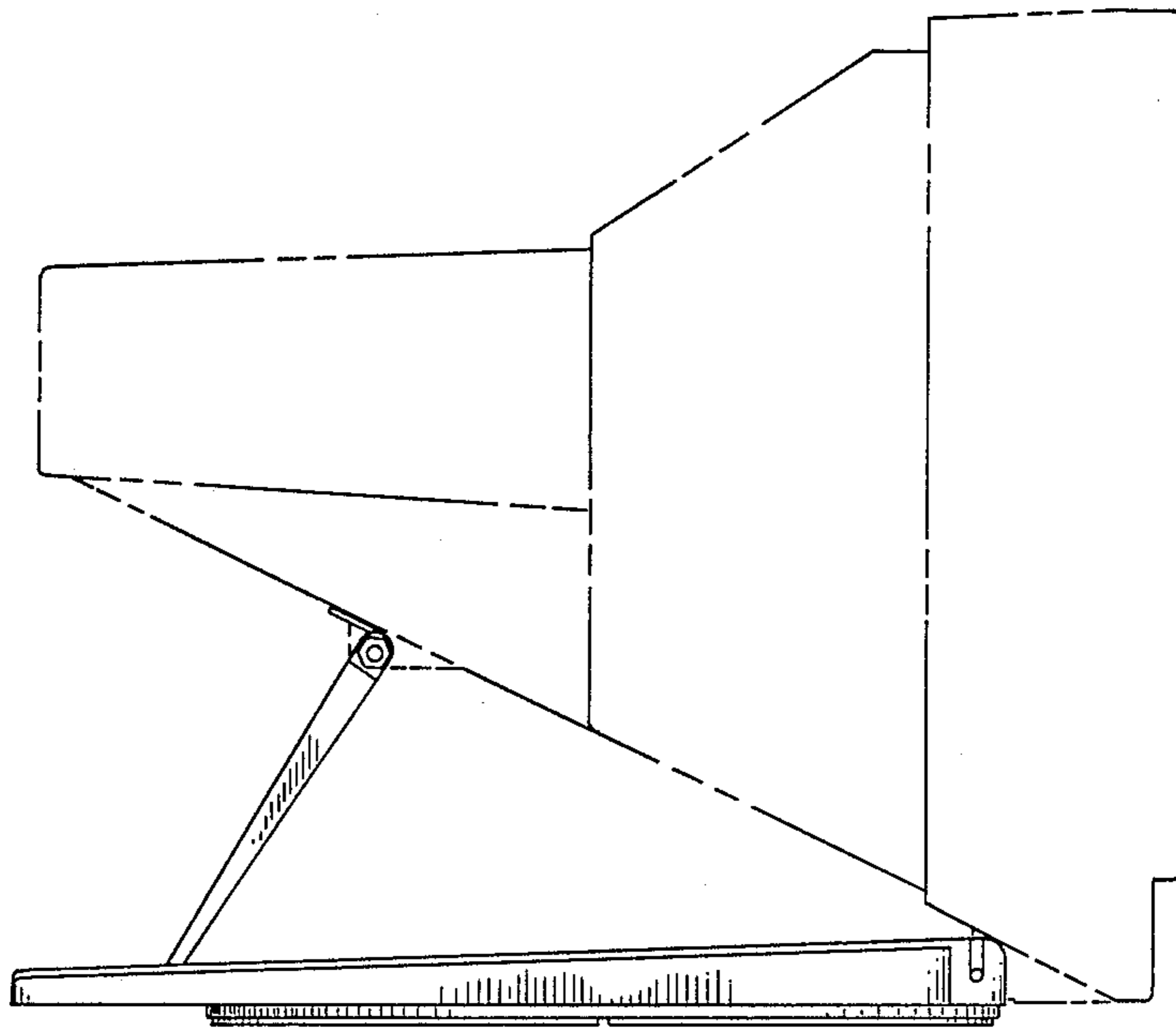


FIG. 7