

[54] FLAT PANEL DISPLAY WITH KEYBOARD OR SIMILAR ARTICLE

[75] Inventors: Shuzo Kato; Yasushi Nakamura, both of Hiratsuka; Junnosuke Takeda, Ninomiya, all of Japan

[73] Assignee: NCR Corporation, Dayton, Ohio

[**] Term: 14 Years

[21] Appl. No.: 101,339

[22] Filed: Sep. 25, 1987

[30] Foreign Application Priority Data

Mar. 30, 1987 [JP] Japan 11677/87

[52] U.S. Cl. D14/106; D14/113

[58] Field of Search D14/100, 102, 105, 106, D14/107, 113, 114, 115; 340/700, 706, 711, 712; 341/22, 23; 358/248, 249, 254; 312/7.2, 208; 248/122, 125, 127, 133, 149, 161, 179, 178, 183, 346, 349, 371; 235/145 A, 145 R; 364/706, 708, 709, 710; D18/1, 7, 11, 12; 400/472, 489, 492, 496, 682

[56] References Cited

U.S. PATENT DOCUMENTS

D. 245,024 7/1977 Genin D18/7

D. 274,728 7/1984 Shibata D14/113
D. 294,262 2/1988 Thies et al. D14/113
4,438,458 3/1984 Münscher D14/113 X
4,445,871 5/1984 Becker 400/472 X
4,528,597 7/1985 Klein et al. 358/254

OTHER PUBLICATIONS

Computer Products—Oct. 1985, p. 27—The Cherry Flat Display.

Primary Examiner—Susan J. Lucas
Assistant Examiner—Freda Selma-Nunn
Attorney, Agent, or Firm—Wilbert Hawk, Jr.; Albert L. Sessler, Jr.; George J. Muckenthaler

[57] CLAIM

The ornamental design for a flat panel display with keyboard or similar article, as shown and described.

DESCRIPTION

FIG. 1 is a top, front, right side perspective view of a flat panel display with keyboard or similar article showing our new design;
FIG. 2 is a front elevational view thereof;
FIG. 3 is a rear elevational view thereof;
FIG. 4 is a right side elevational view thereof;
FIG. 5 is a left side elevational view thereof;
FIG. 6 is a top plan view thereof.

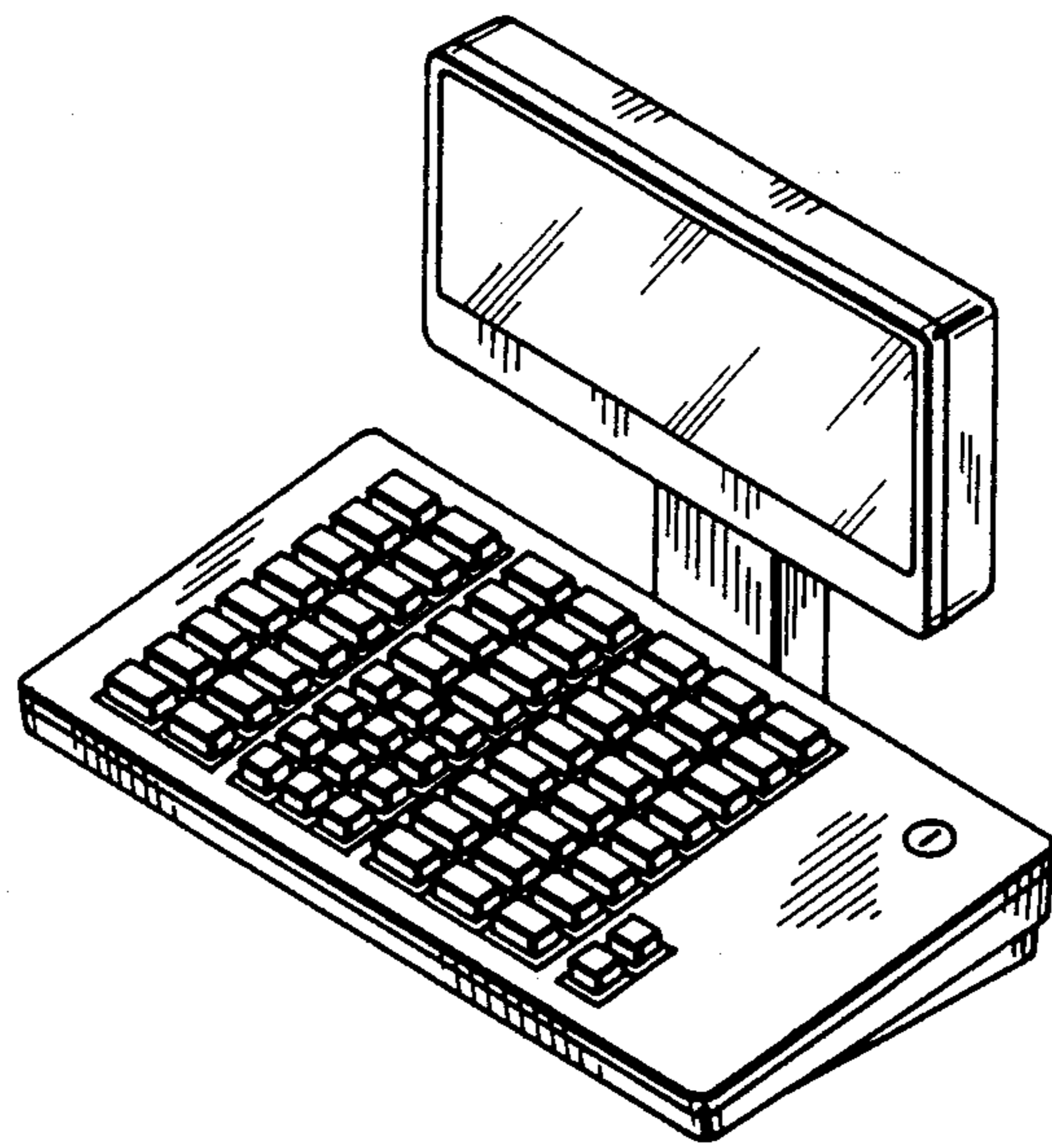


FIG. 1

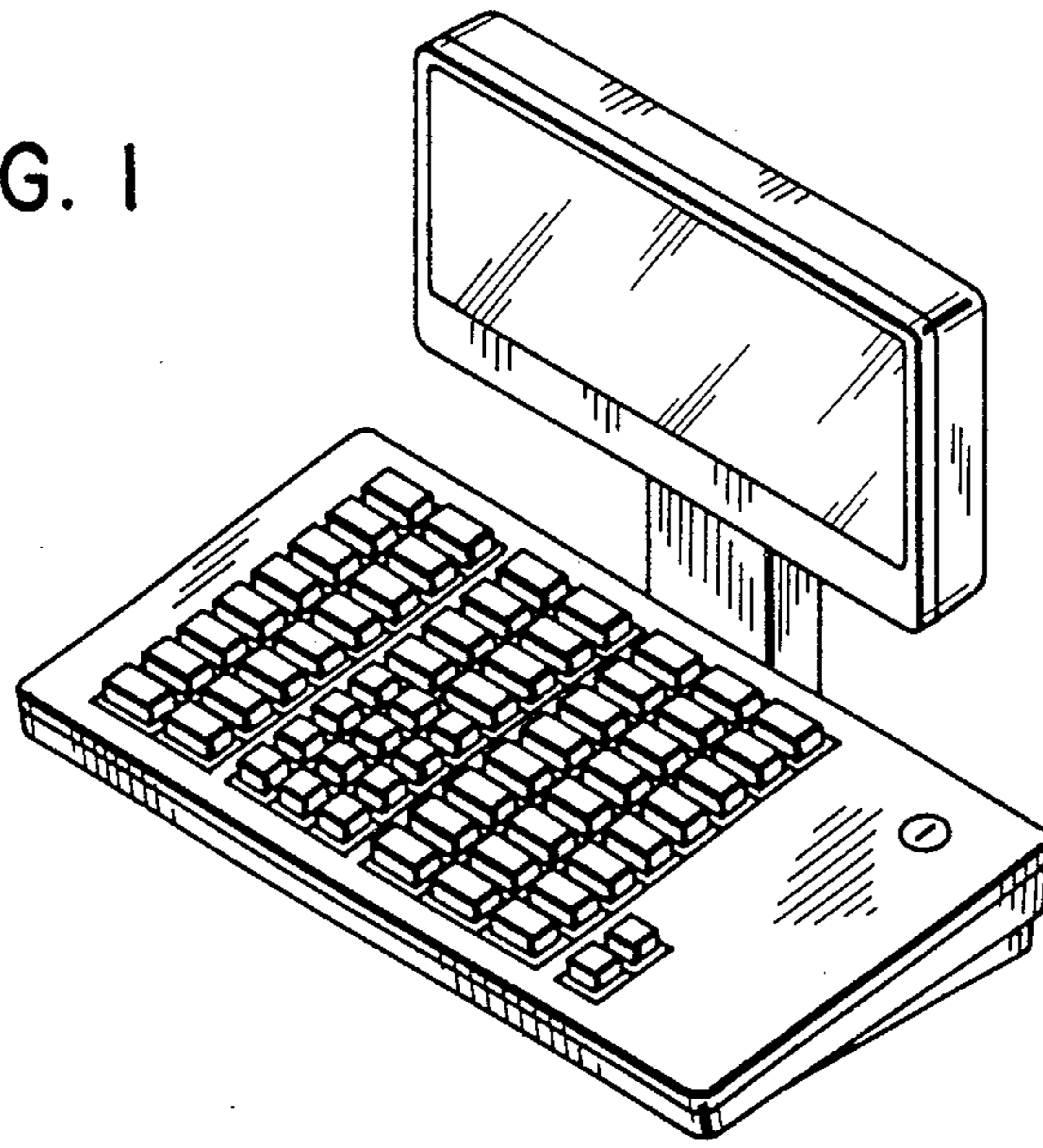


FIG. 2

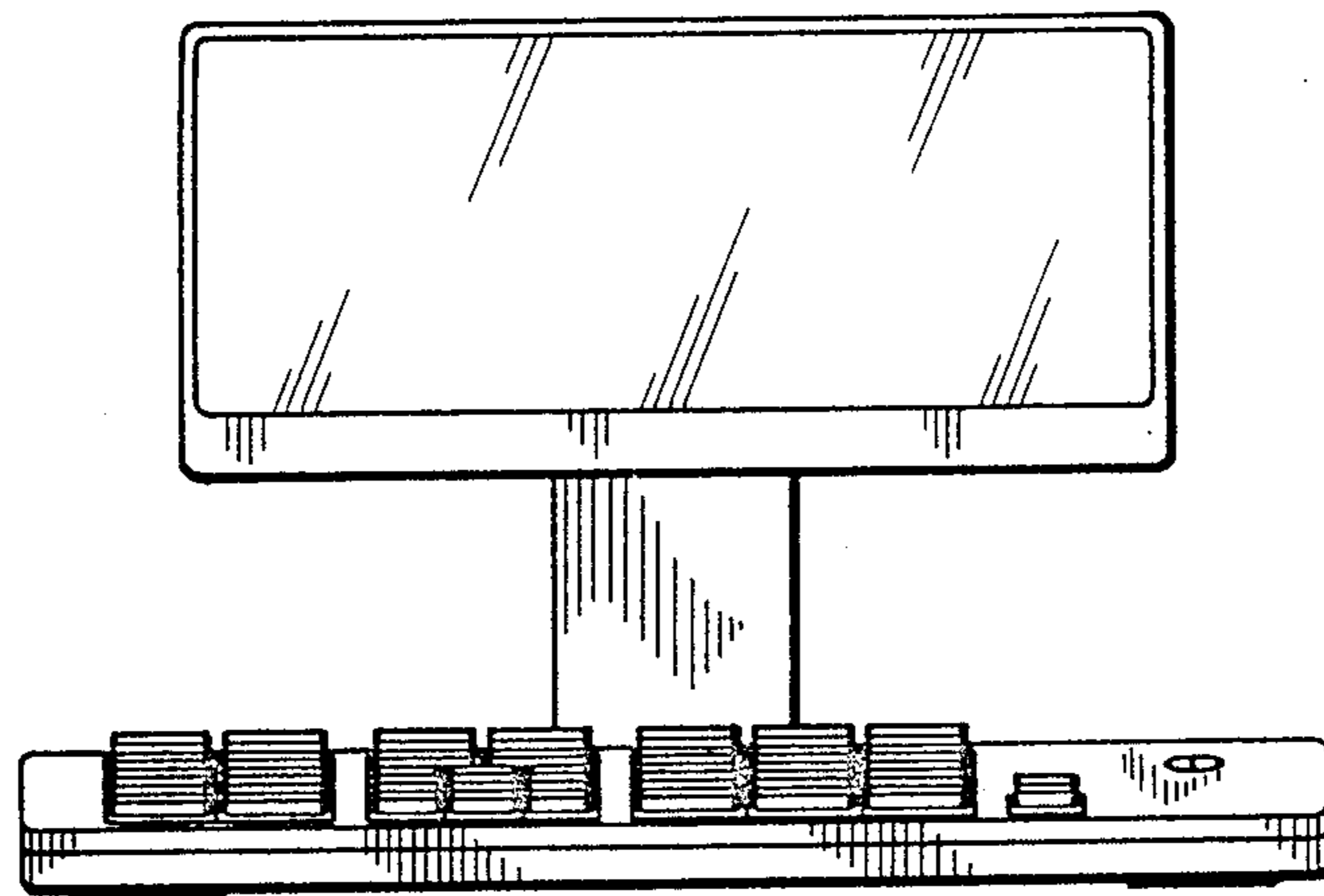


FIG. 3

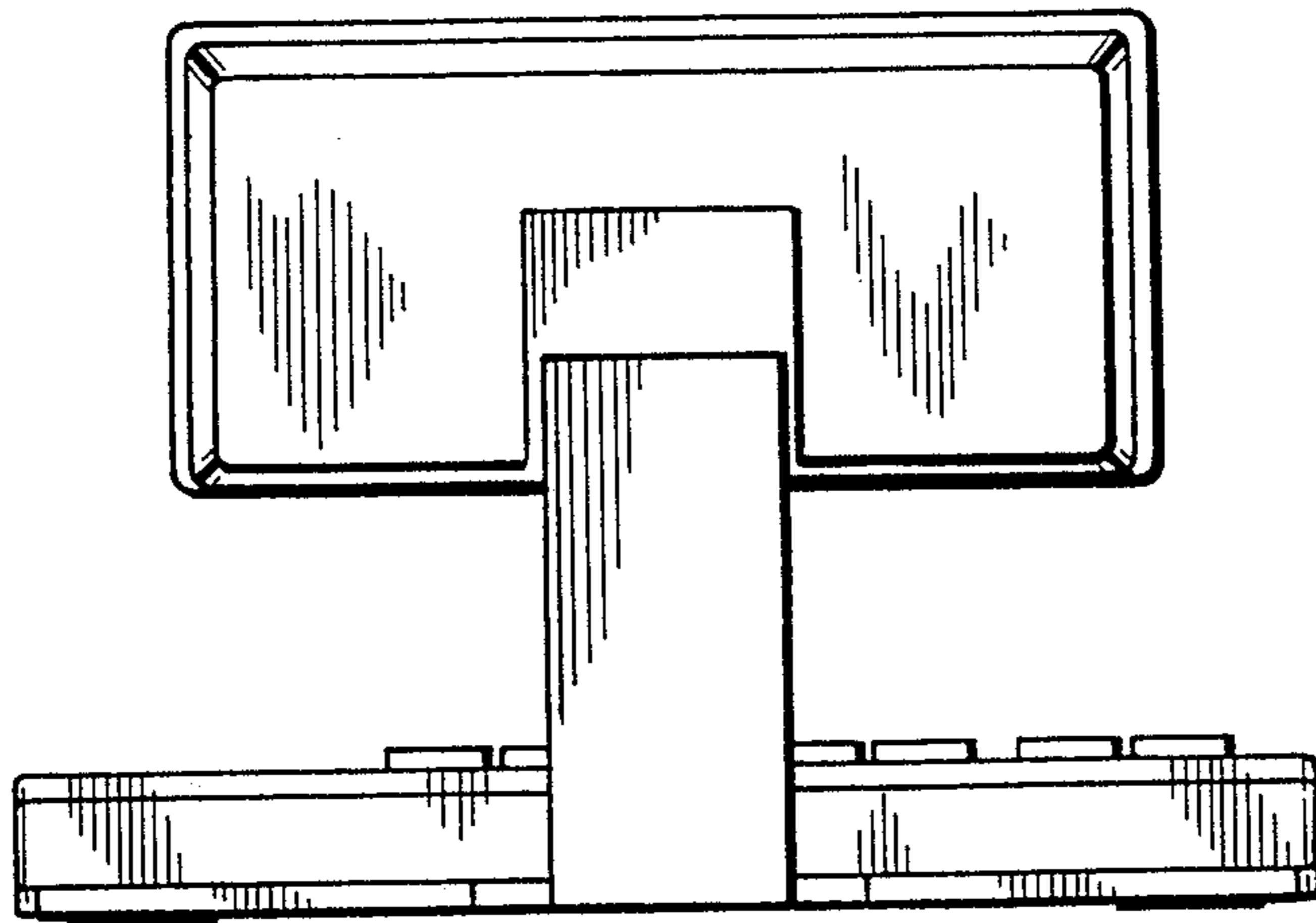
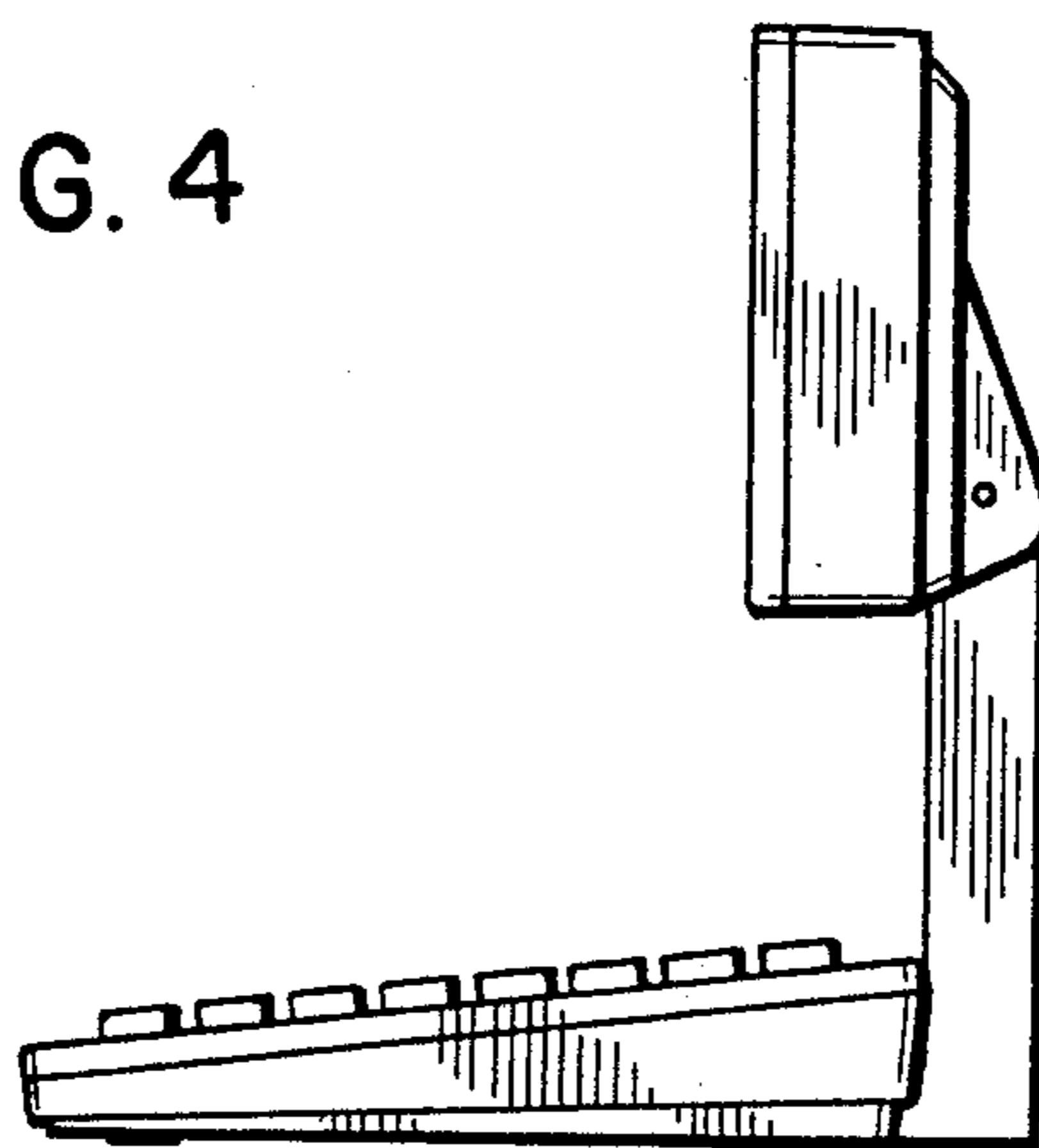


FIG. 4



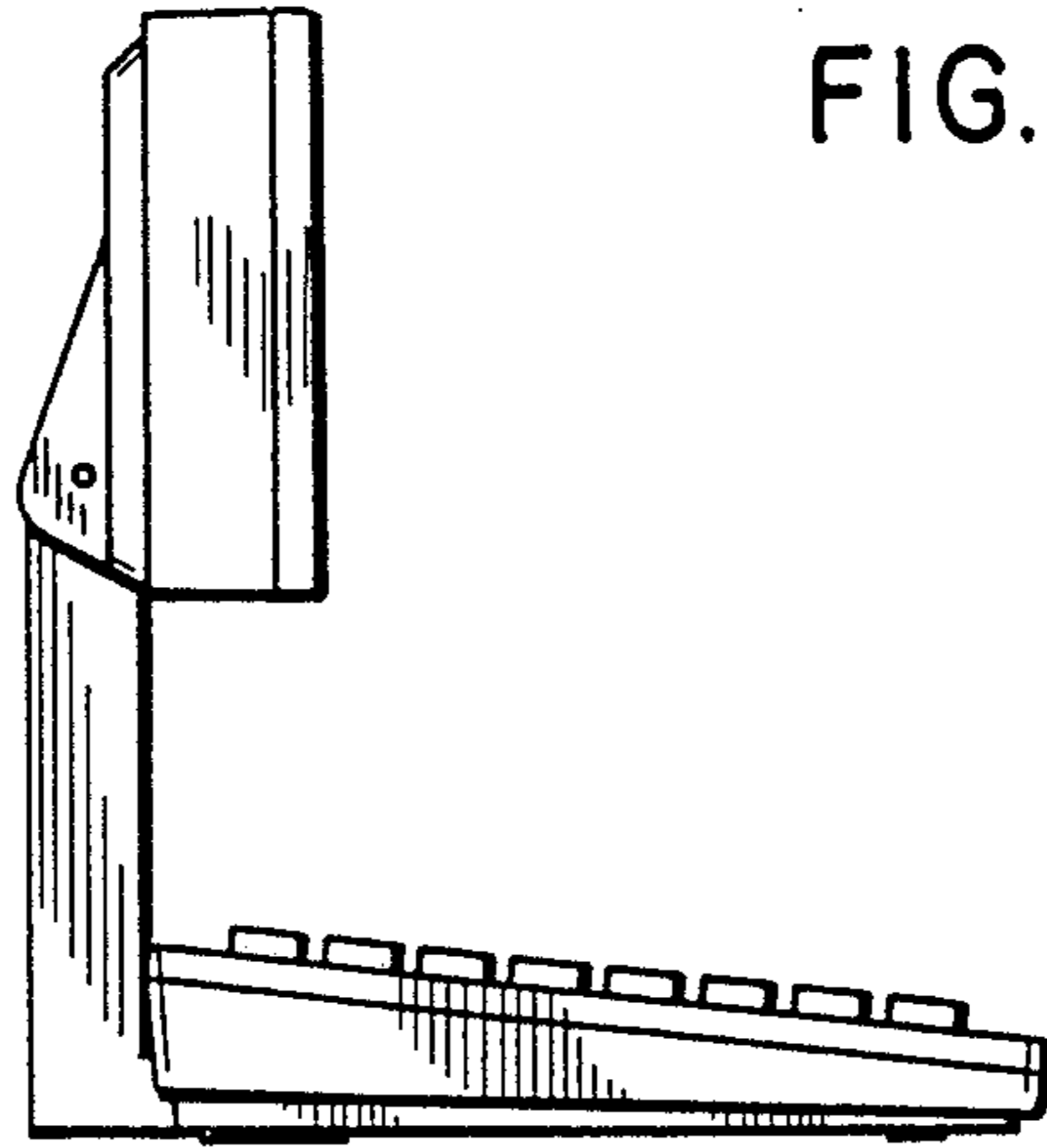


FIG. 5

FIG. 6

