

[54] CONNECTOR STRAIN RELIEVING BACK SHELL

[76] Inventors: Ronald L. Messenger, 10747 Mt. Vernon Rd.; Kenny R. Messenger, 3573 Sapphire Dr., No. 4, both of Auburn, Calif. 95603

[**] Term: 14 Years

[21] Appl. No.: 926,277

[22] Filed: Oct. 31, 1986

[52] U.S. Cl. D13/24

[58] Field of Search D13/24-31; 439/460, 465

[56] References Cited

U.S. PATENT DOCUMENTS

D. 224,109	7/1972	Burandt	D13/24
D. 272,733	2/1984	Cosmos et al.	D13/24
D. 286,148	10/1986	Dickie	D13/24
D. 295,850	5/1988	Kikuta	D13/24
3,718,889	2/1973	Bartlett	439/465 X
4,125,312	11/1978	Aimar	439/465 X
4,358,178	11/1982	Guy	439/465 X
4,556,270	12/1985	Schutzle et al.	439/460 X

Primary Examiner—Susan J. Lucas
Attorney, Agent, or Firm—Lothrop & West

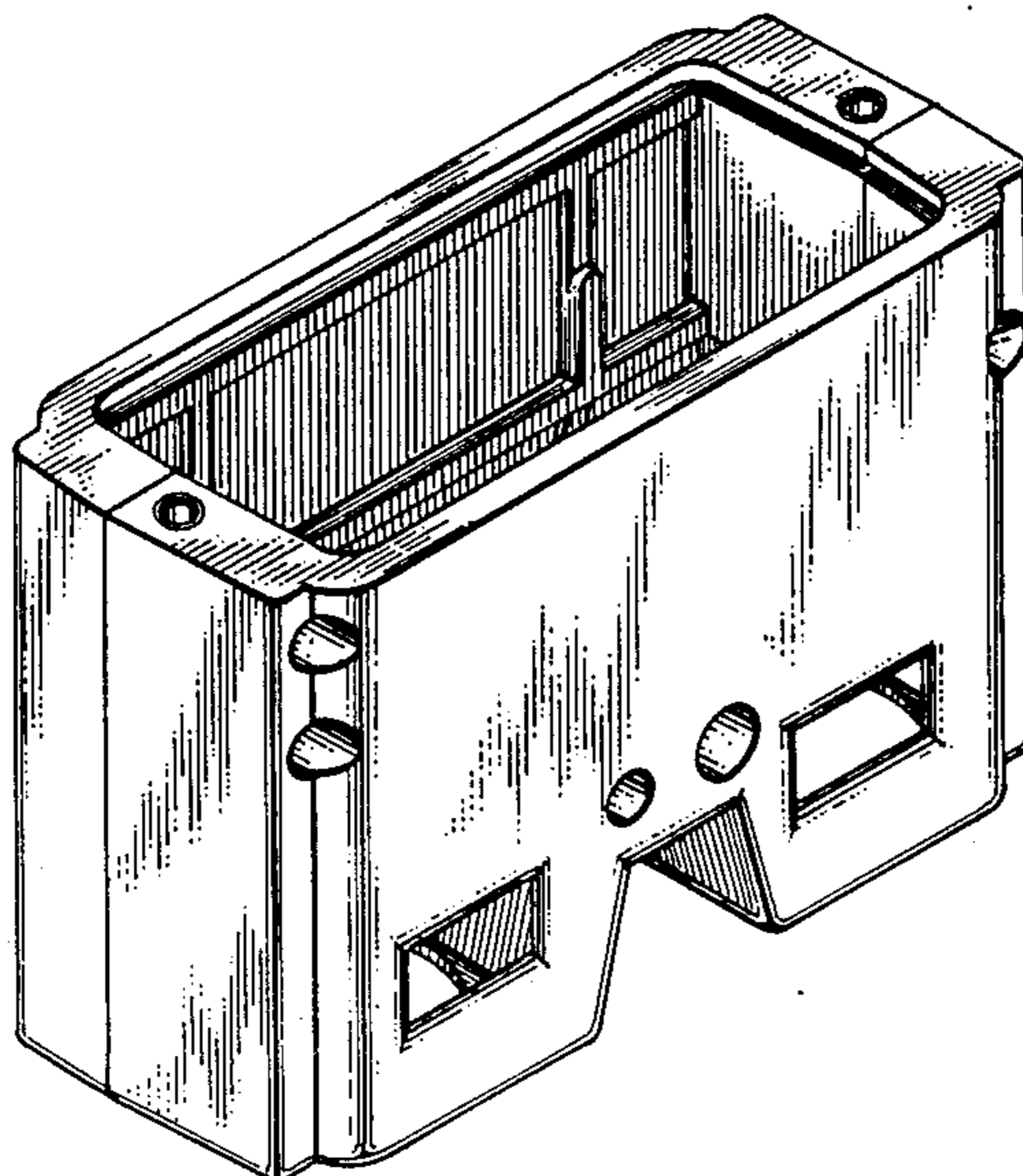
[57] CLAIM

The ornamental design for a connector strain relieving back shell, as shown and described.

DESCRIPTION

FIG. 1 is a perspective view of a connector strain relieving back shell, showing our new design;
FIG. 2 is a top plan view thereof;
FIG. 3 is an elevational view of one side thereof, the opposite side being identical to the side shown;
FIG. 4 is a bottom plan view thereof;
FIG. 5 is an elevational view of one end thereof, the opposite end being identical to the end shown;

FIG. 6 is a perspective view of a second embodiment thereof;
FIG. 7 is a top plan view of the second embodiment thereof;
FIG. 8 is an elevational view of one side of the second embodiment thereof, the opposite side being identical to the side shown;
FIG. 9 is a bottom plan view of the first modification thereof;
FIG. 10 is an elevational view of one end of the second embodiment thereof, the opposite end being identical to the end shown;
FIG. 11 is a perspective view of a third embodiment thereof;
FIG. 12 is a top plan view of the third embodiment thereof;
FIG. 13 is an elevational view of one side of the third embodiment thereof, the opposite side being identical to the side shown;
FIG. 14 is a bottom plan view of the third embodiment thereof;
FIG. 15 is an elevational view of one end of the third embodiment thereof, the opposite end being identical to the end shown;
FIG. 16 is a perspective view of a fourth embodiment thereof;
FIG. 17 is a top plan view of the fourth embodiment thereof;
FIG. 18 is an elevational view of one side of the fourth embodiment thereof, the opposite side being identical to the side shown;
FIG. 19 is a bottom plan view of the fourth embodiment thereof;
FIG. 20 is an elevational view of one end of the fourth embodiment thereof, the opposite end being identical to the end shown;
The connector socket body shown in broken line in FIGS. 6, 8 and 10, the connector pin body and the tie wraps shown in broken line in FIG. 11 and the connector pin body, wire conductors and tie wraps shown in broken line in FIGS. 13, 14 and 15 are included to illustrate the environment and form no part of the design.



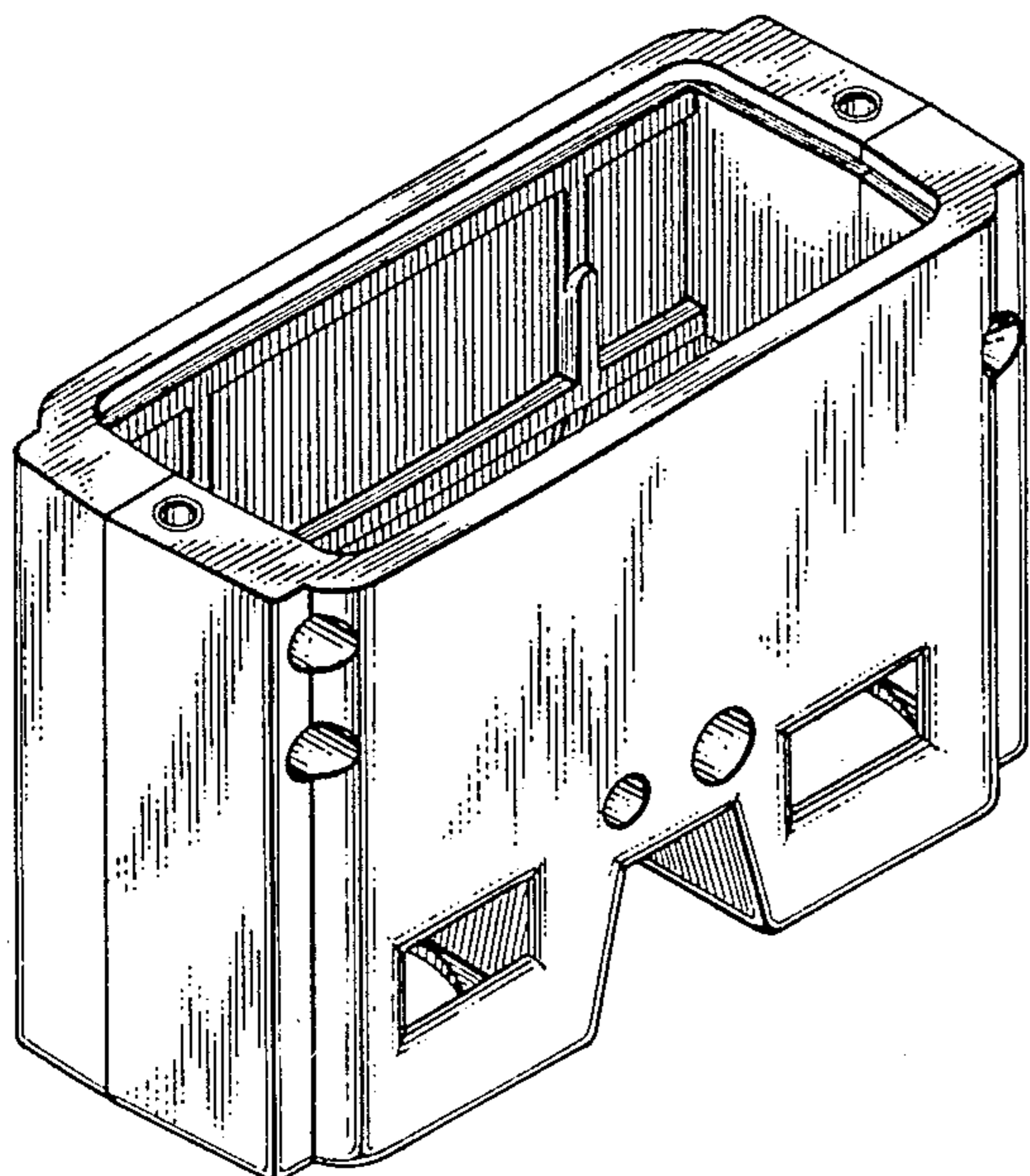


FIG-1

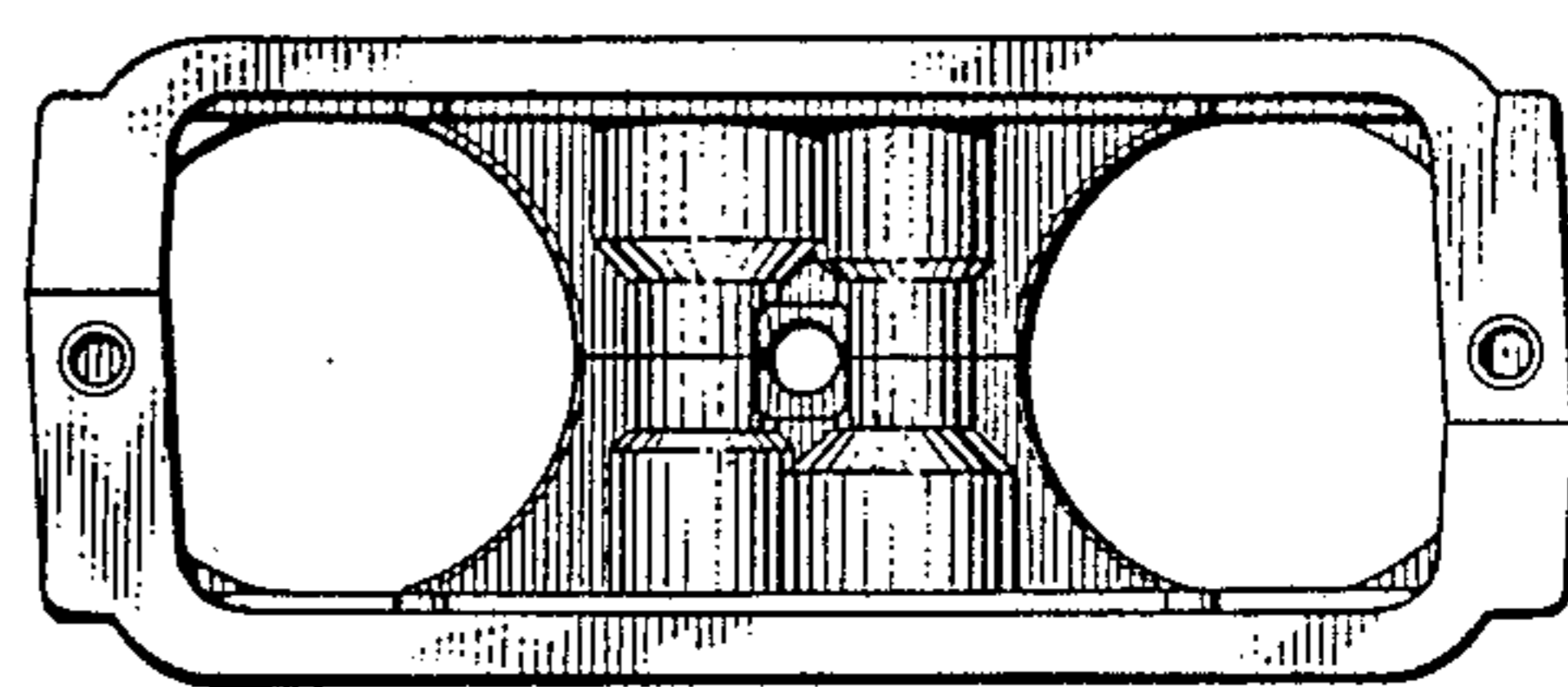


FIG-2

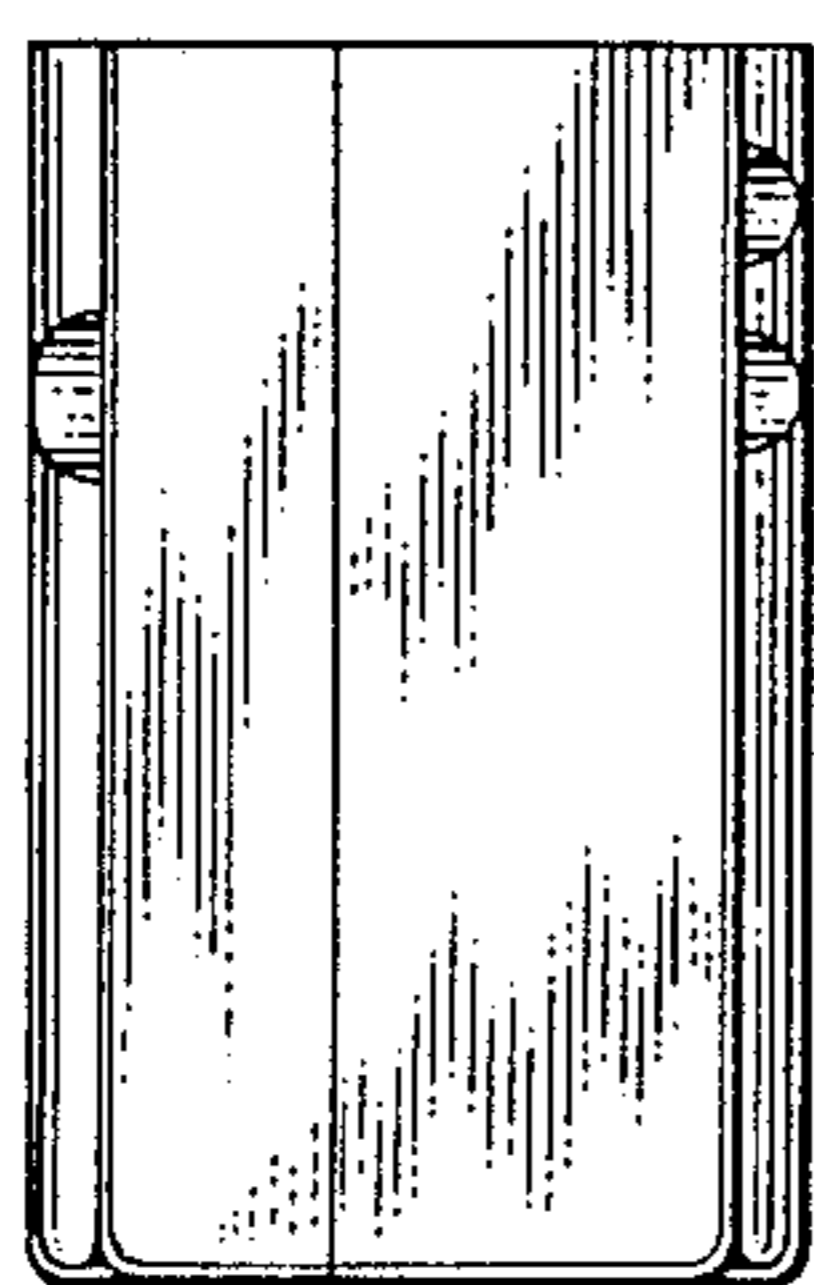


FIG-5

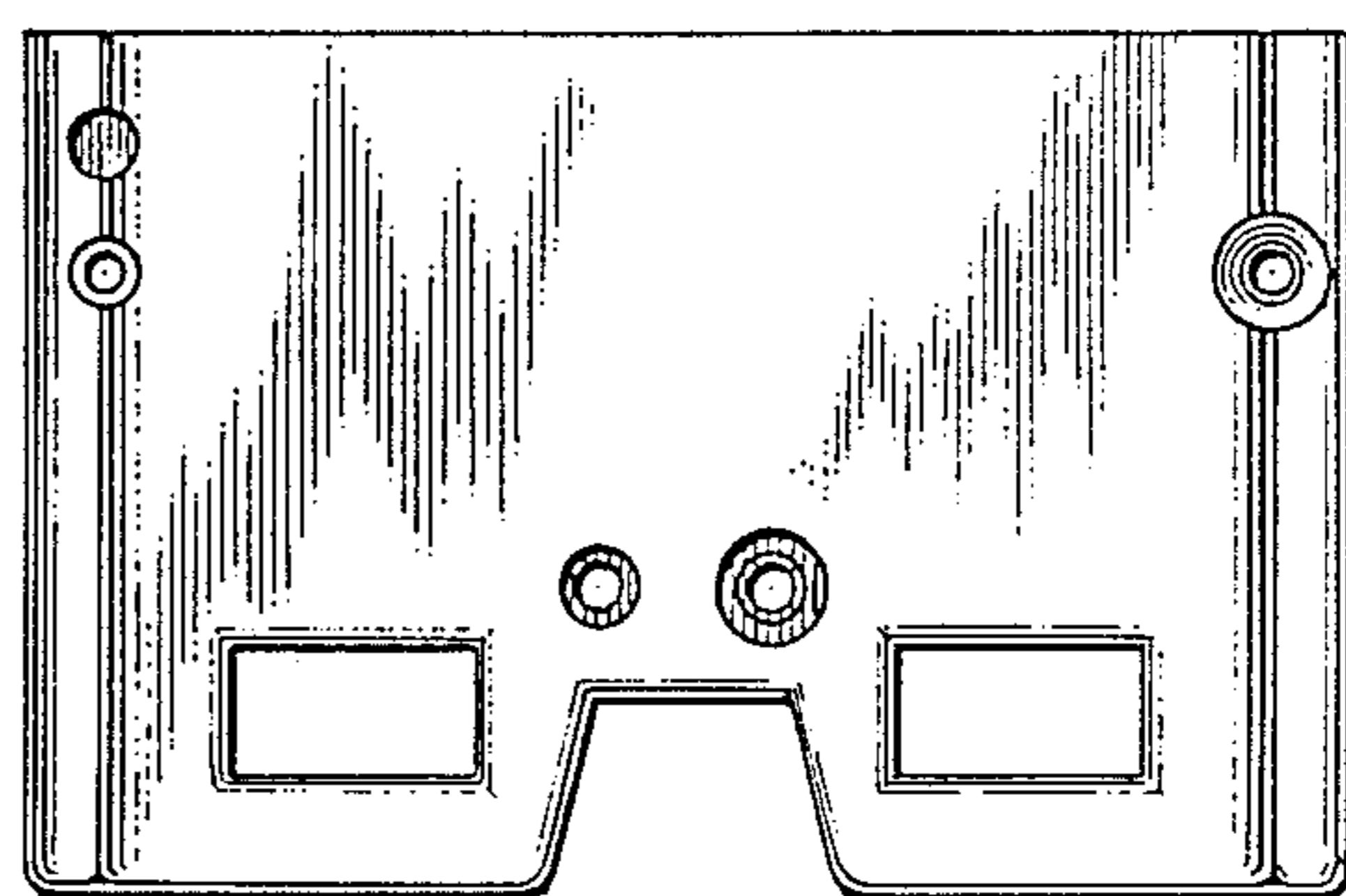


FIG-3

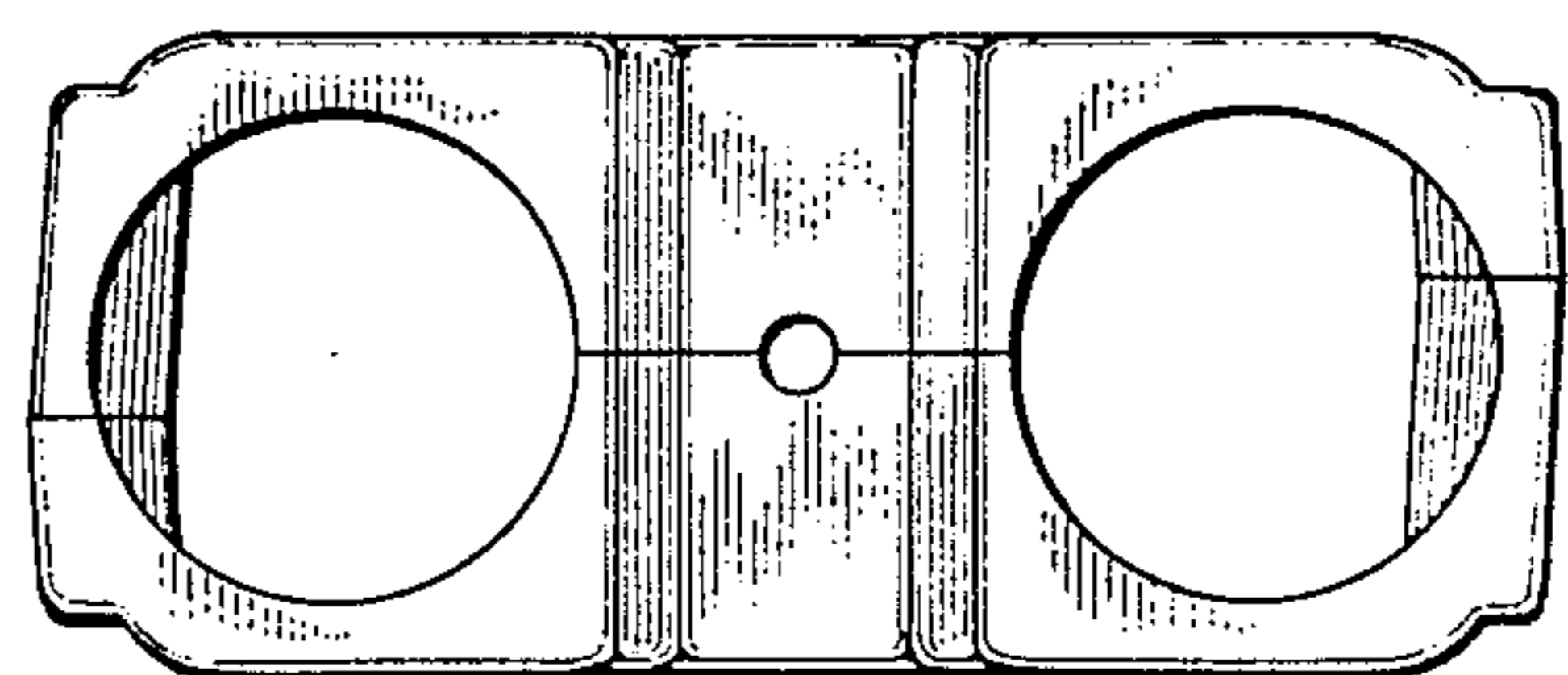


FIG-4

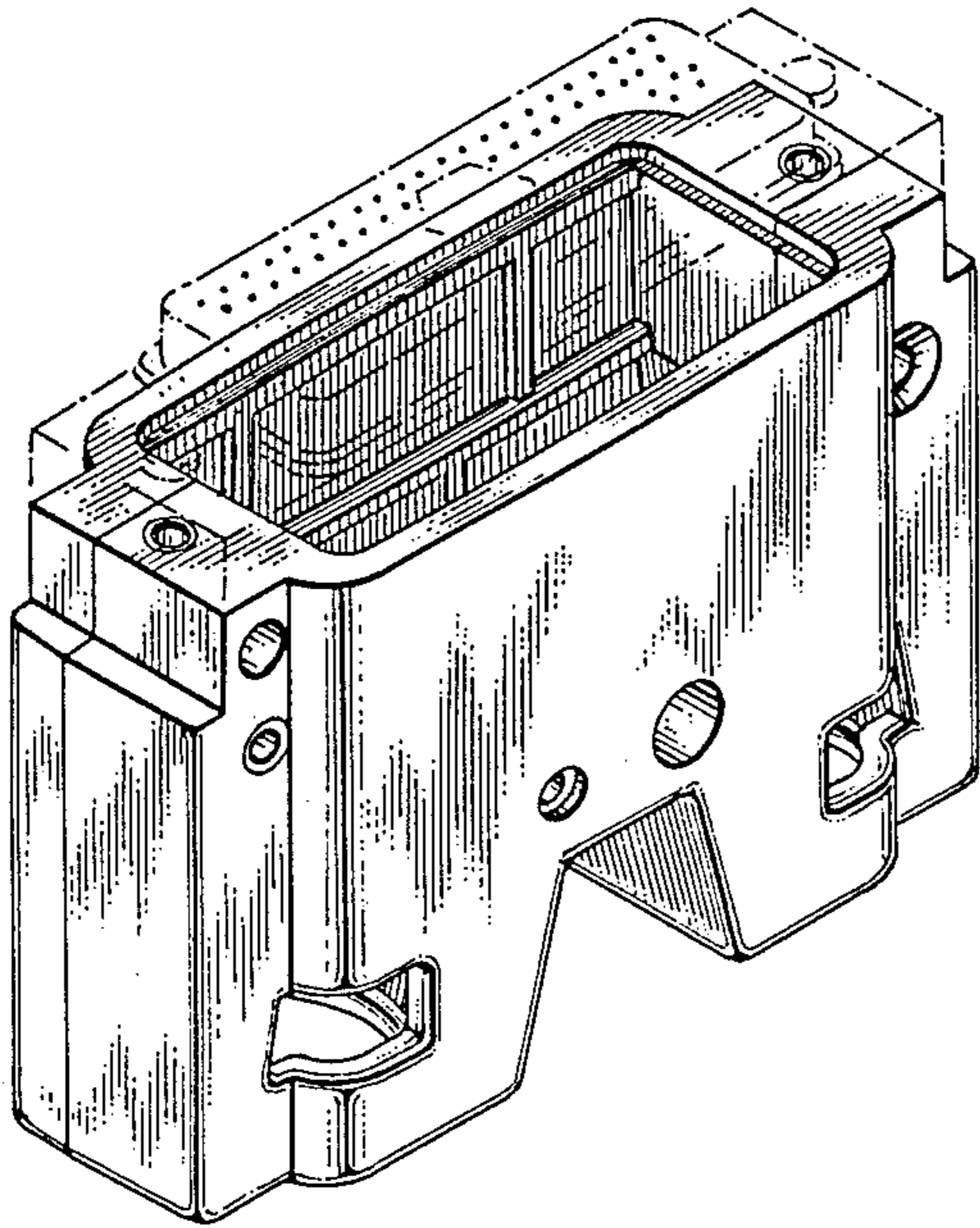


FIG-6

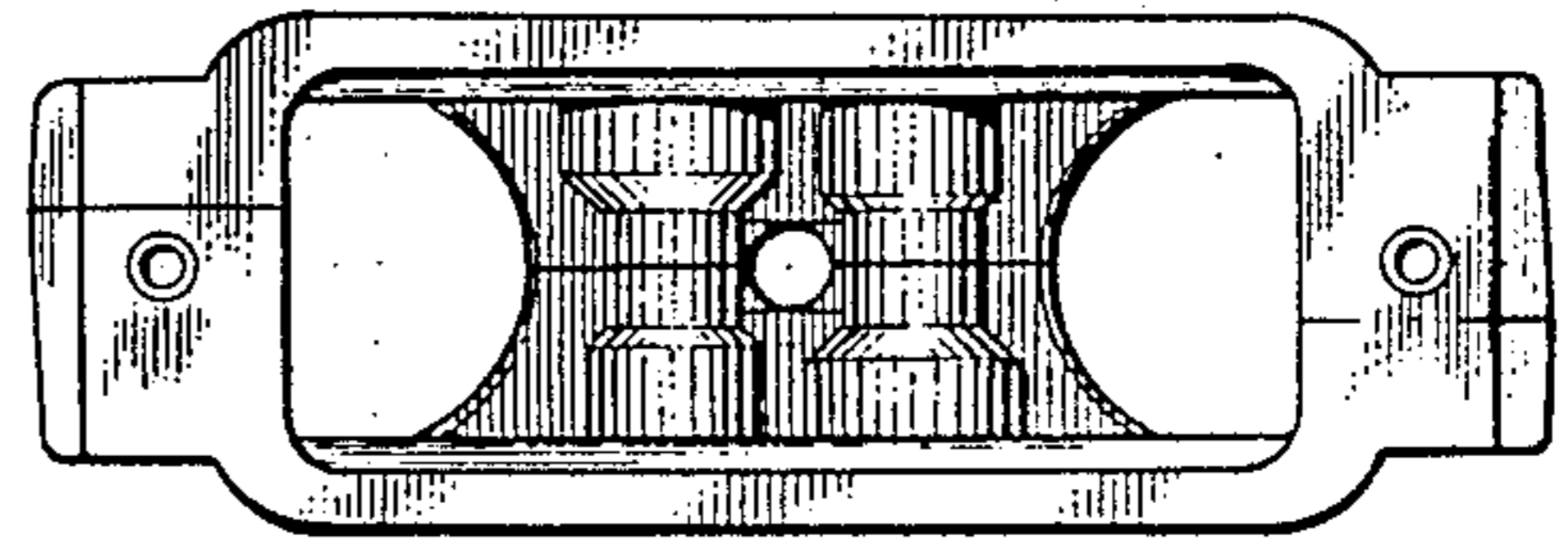


FIG-7

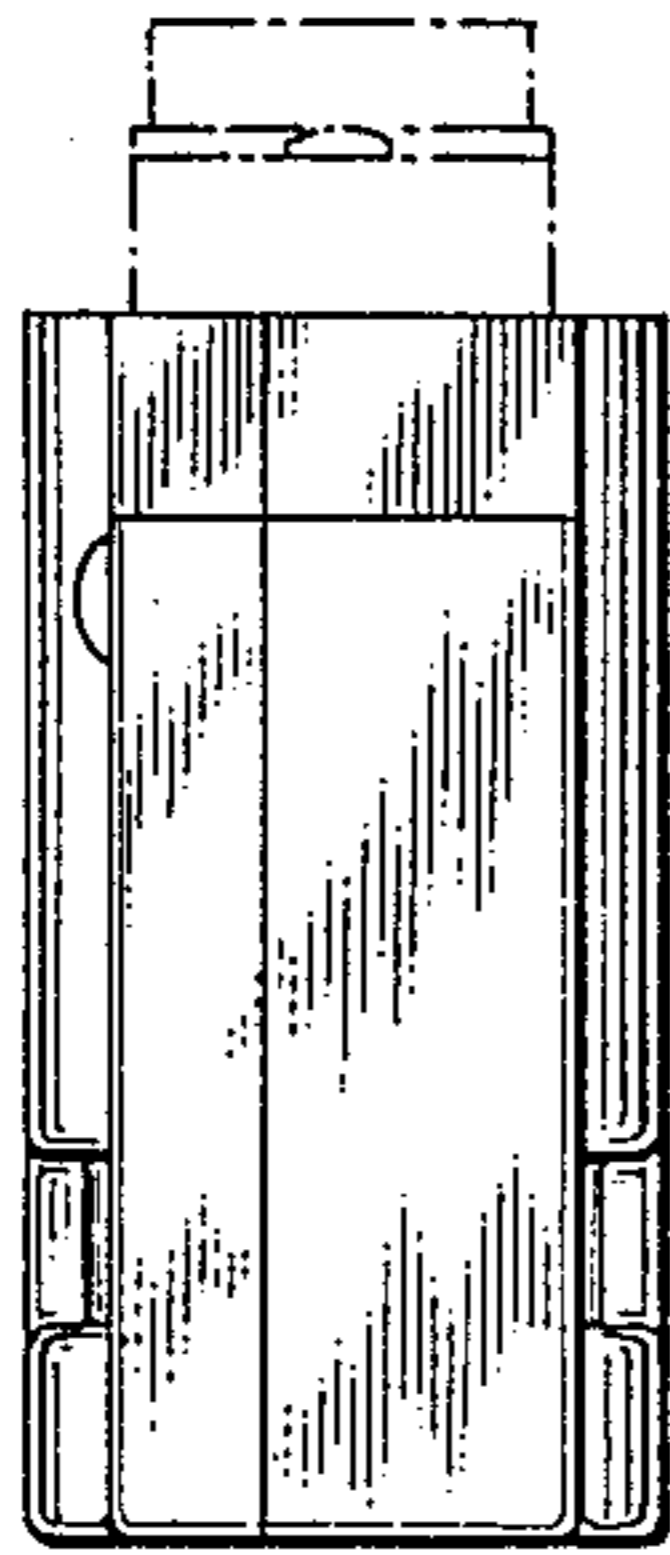


FIG-10

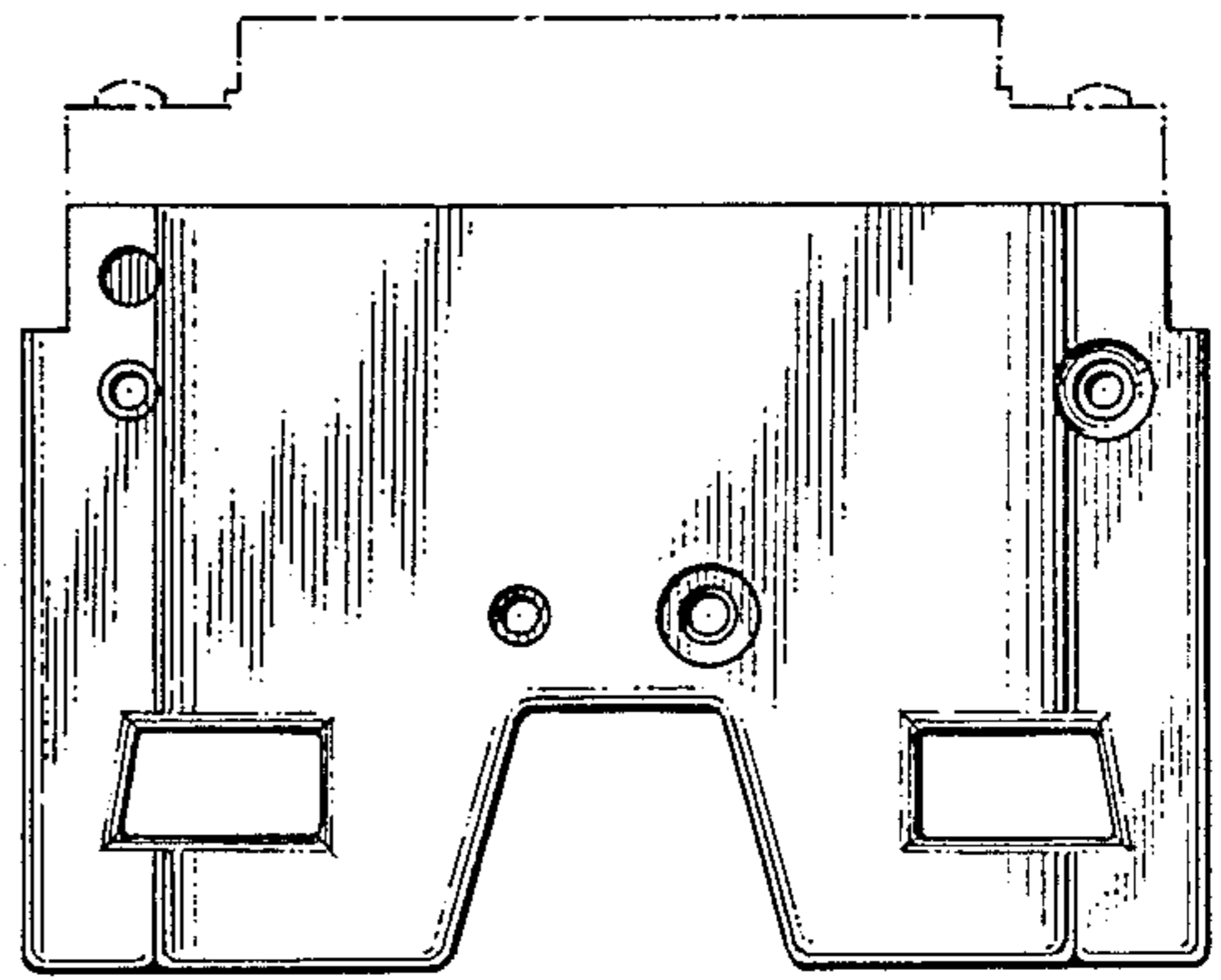


FIG-8

FIG-9

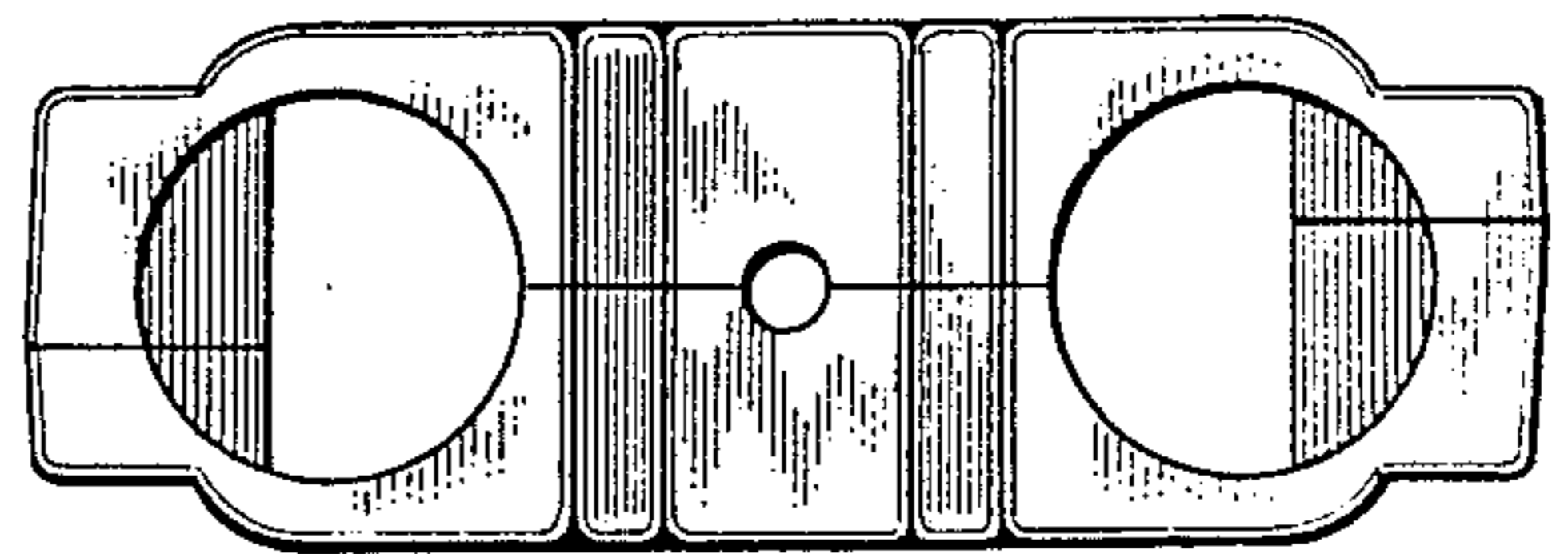


FIG-11

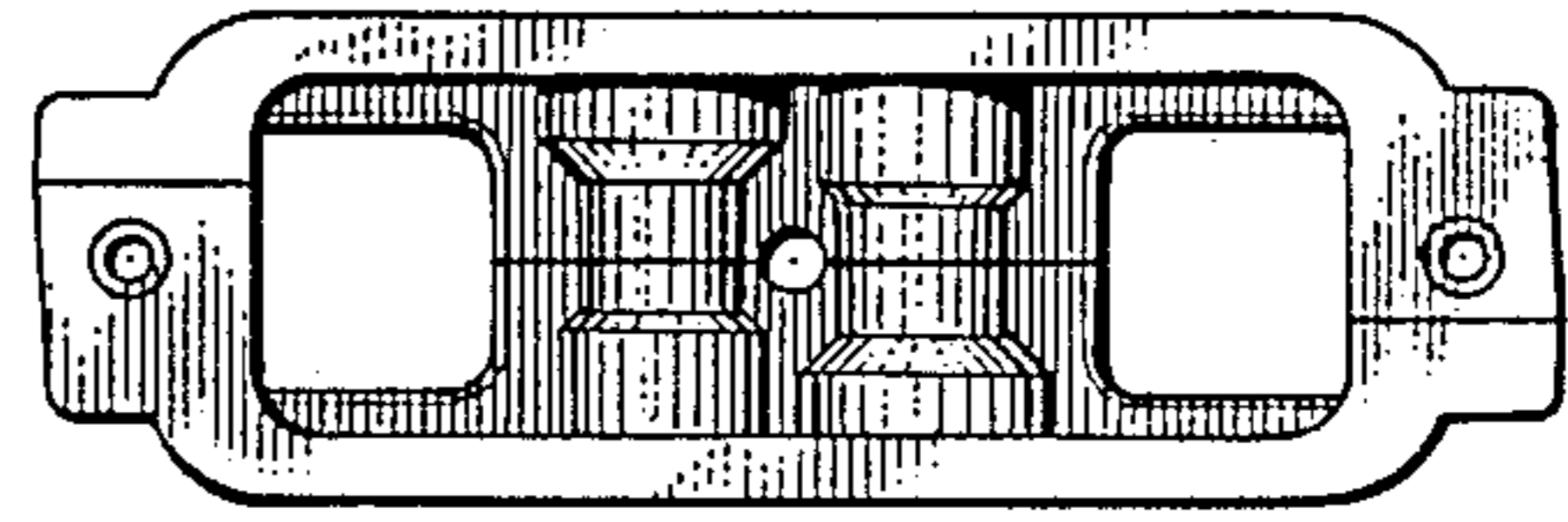
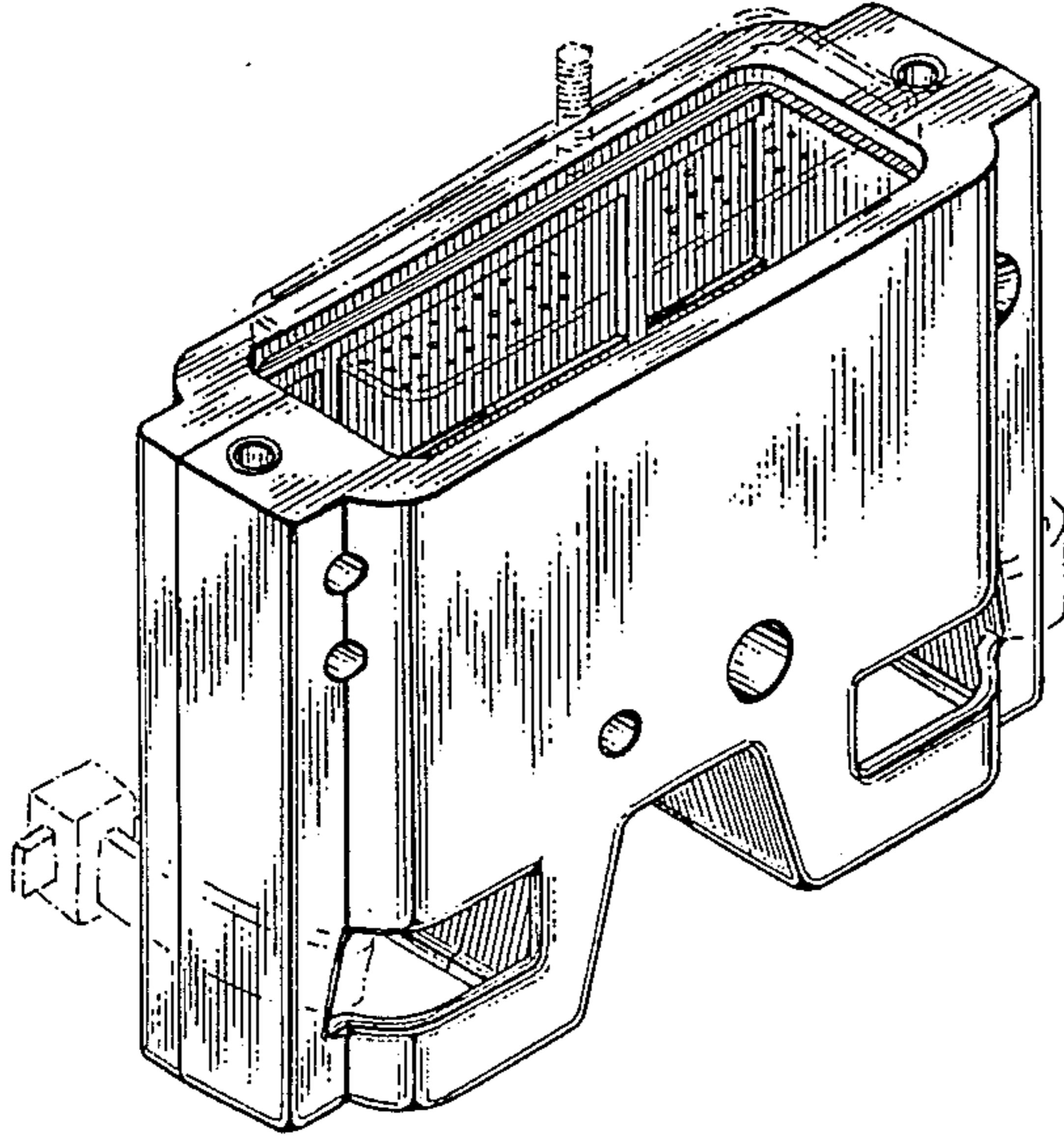


FIG-12

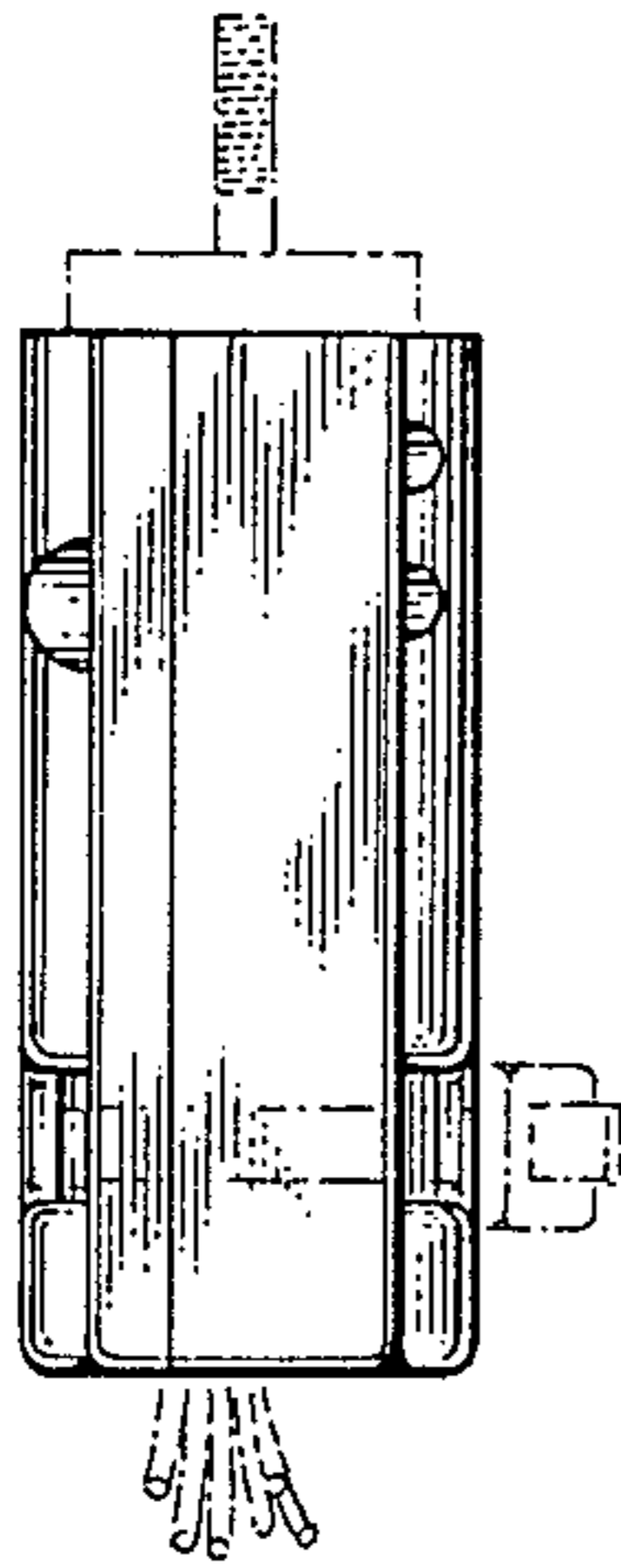


FIG-15

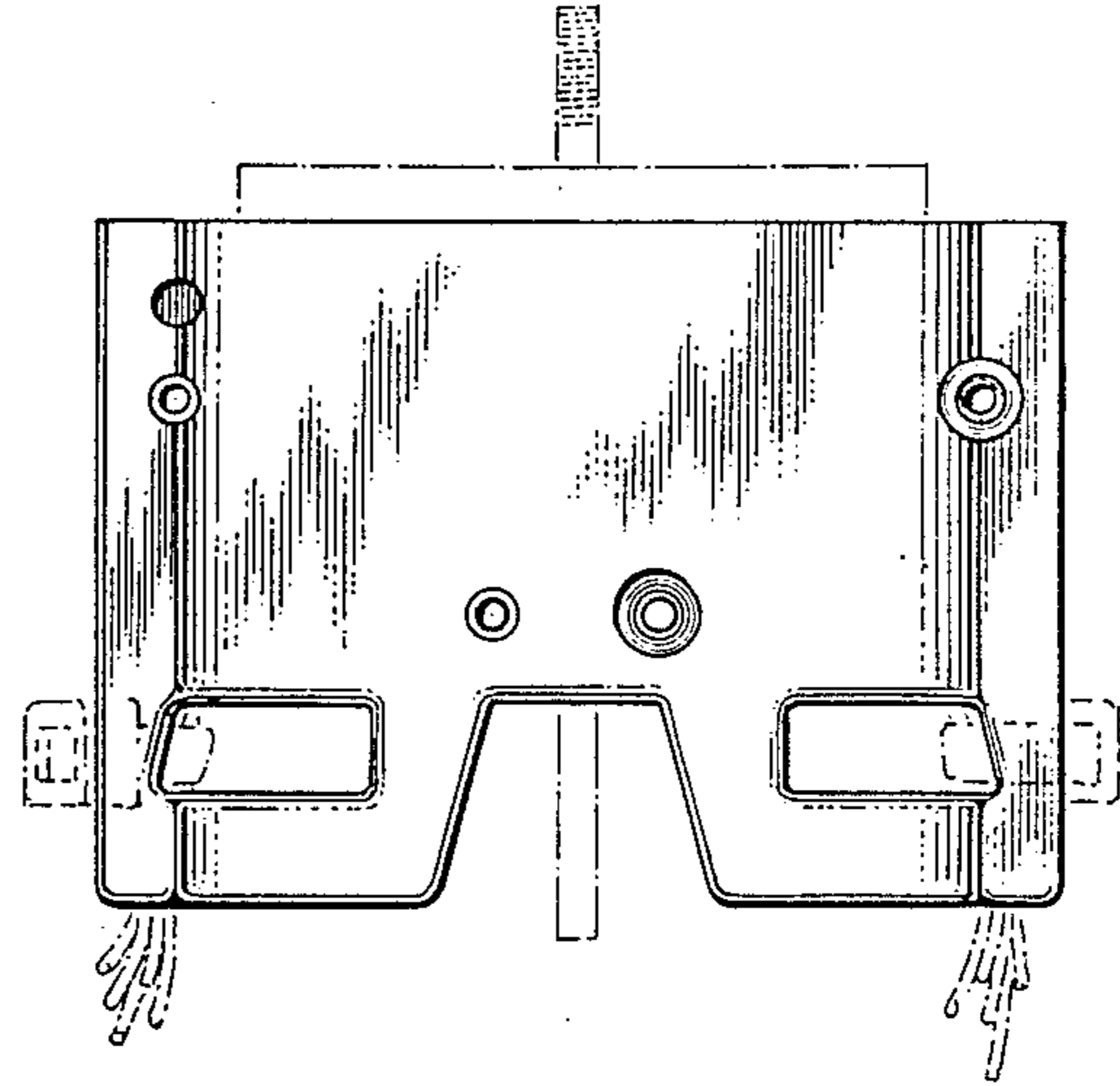


FIG-13

FIG-14

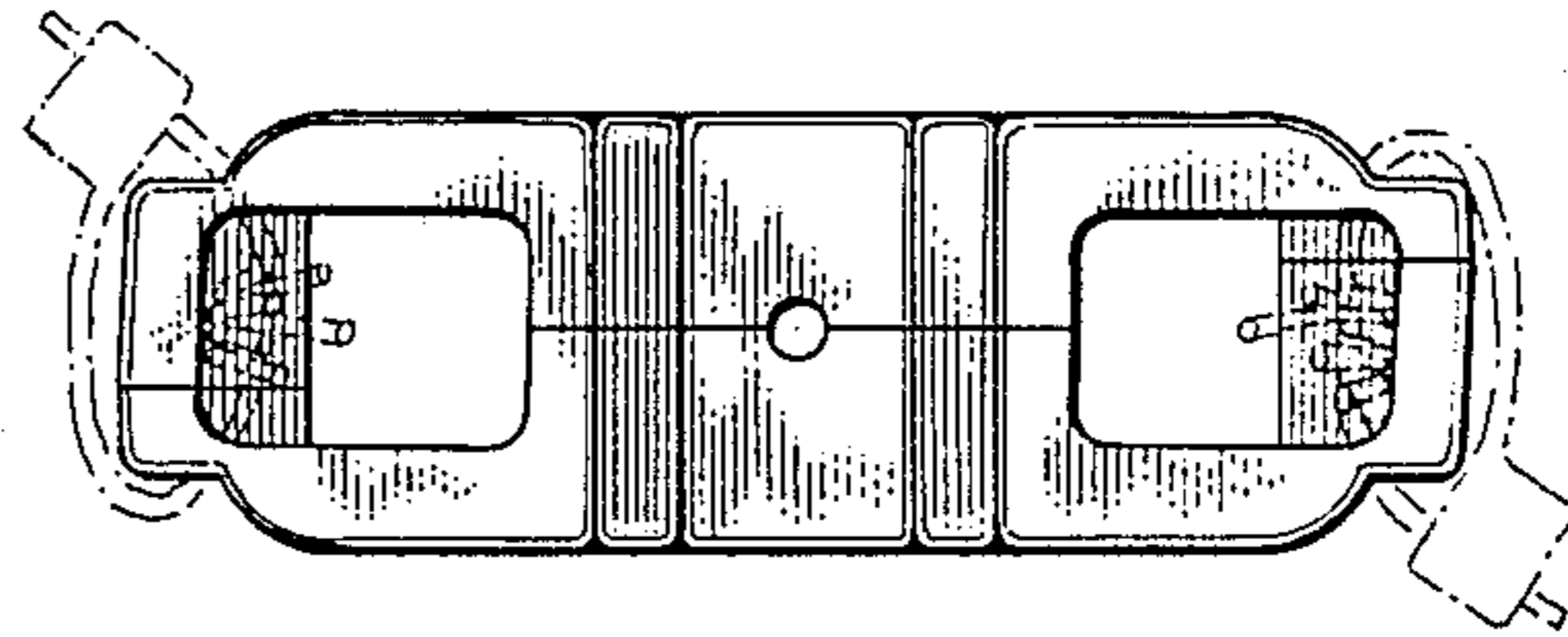


FIG. 16

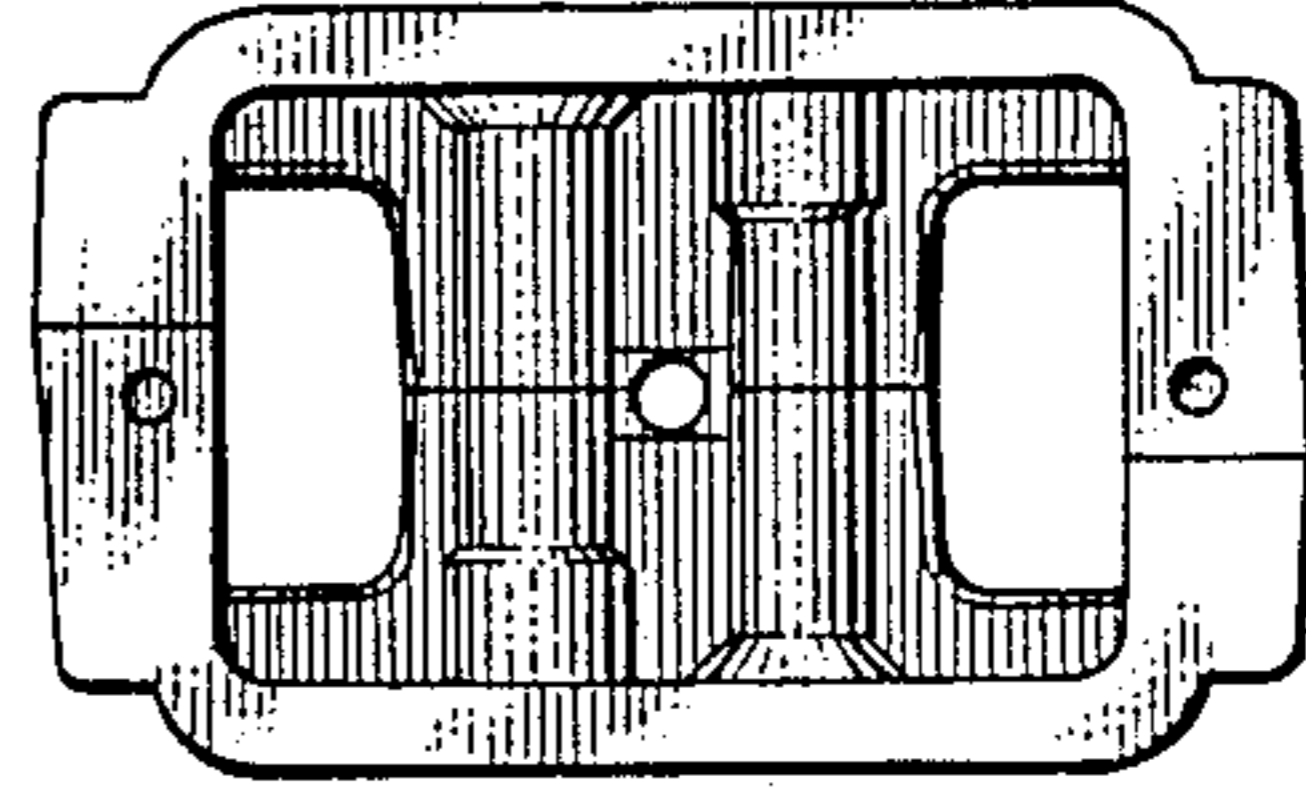
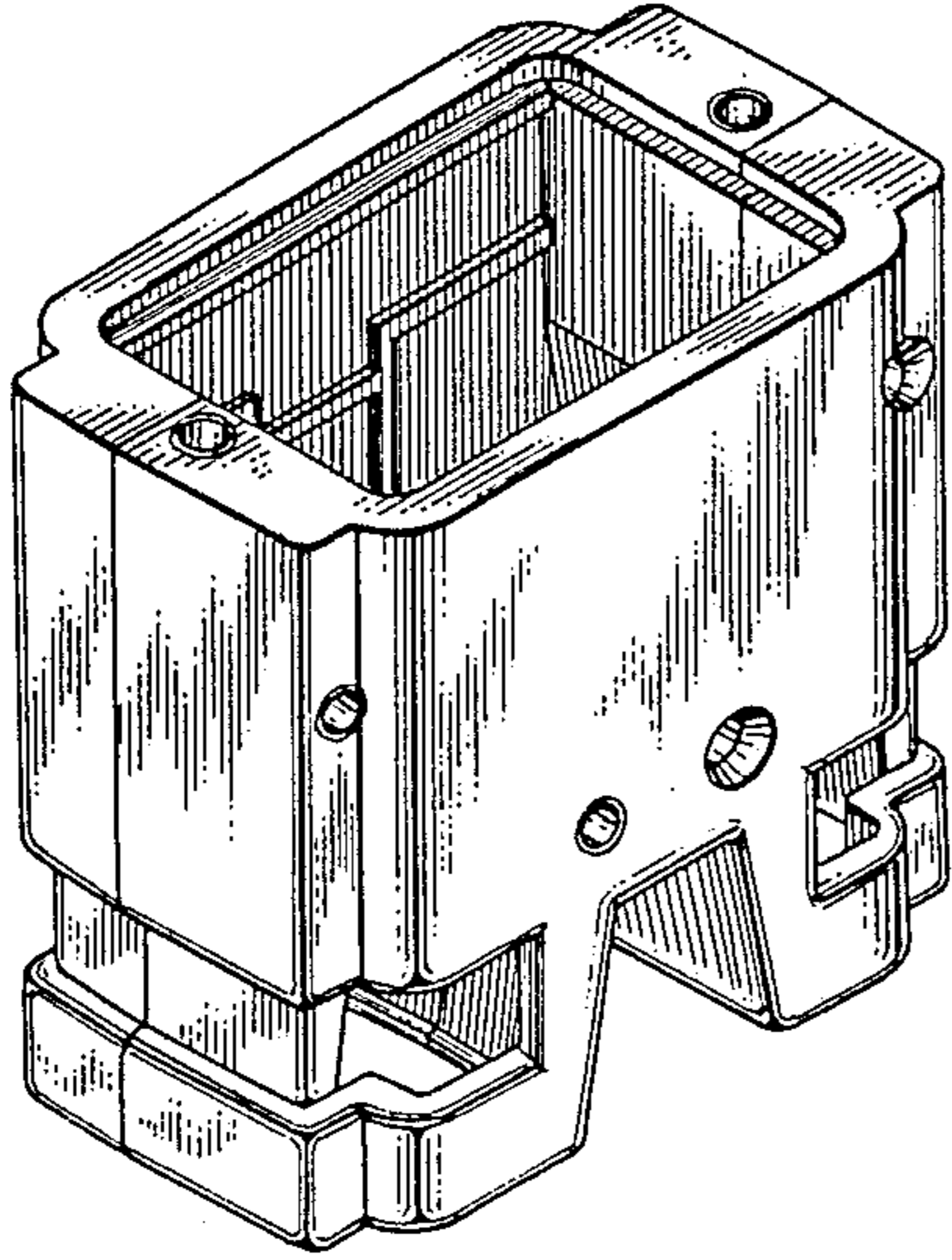


FIG. 17

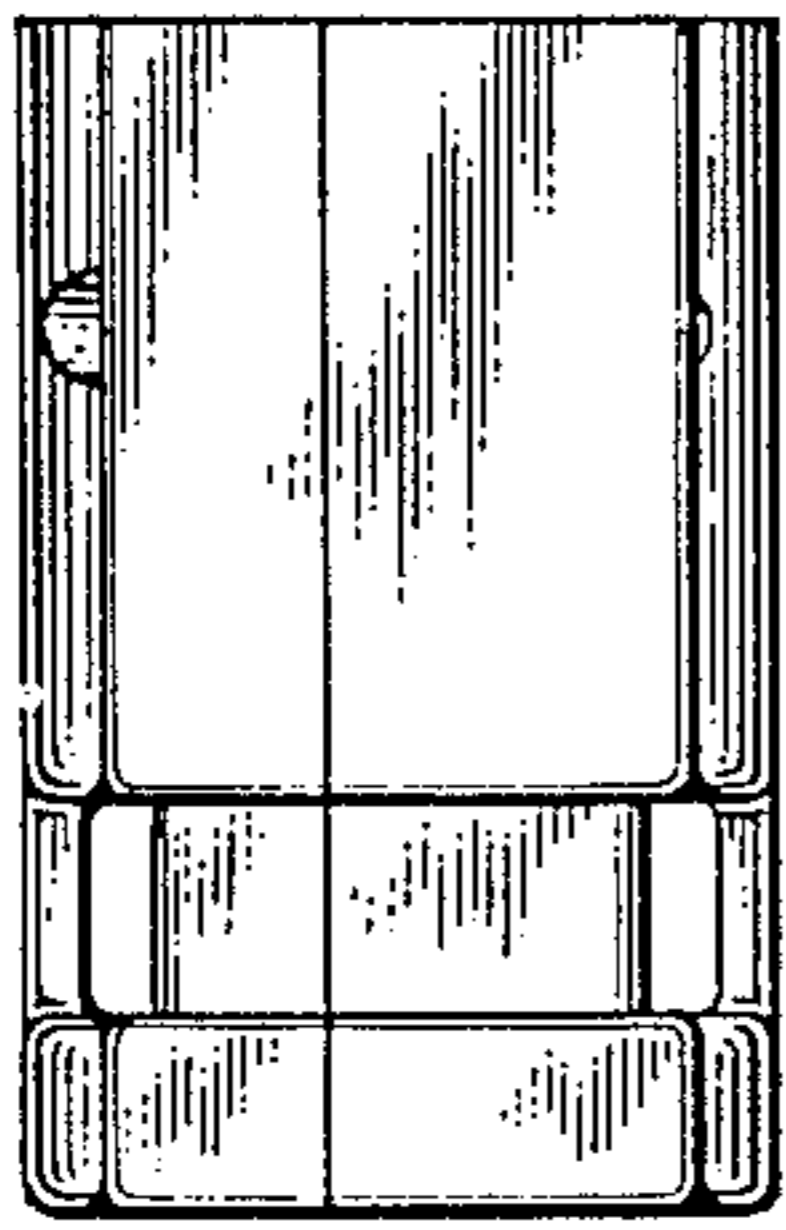


FIG. 20

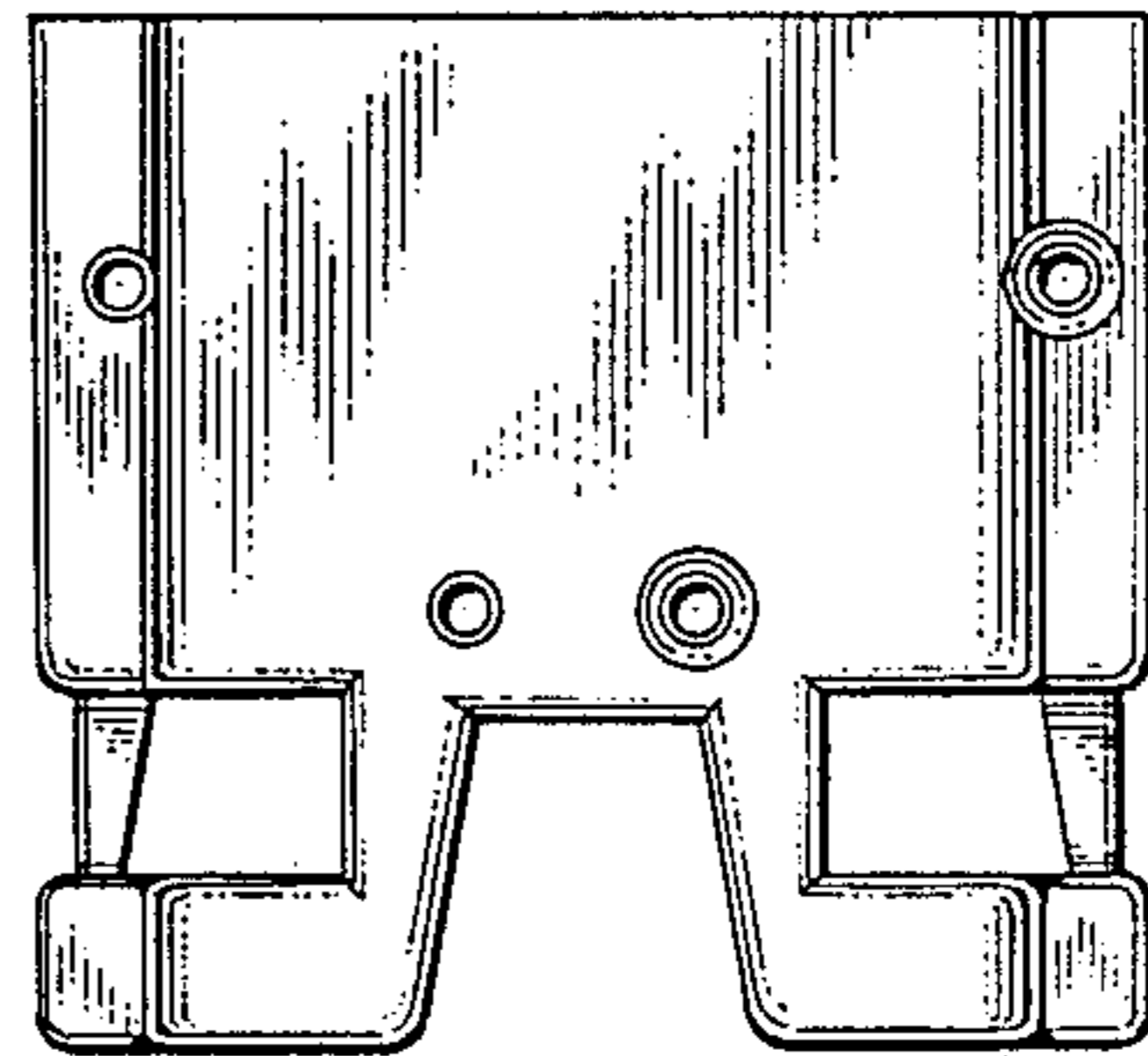


FIG. 18

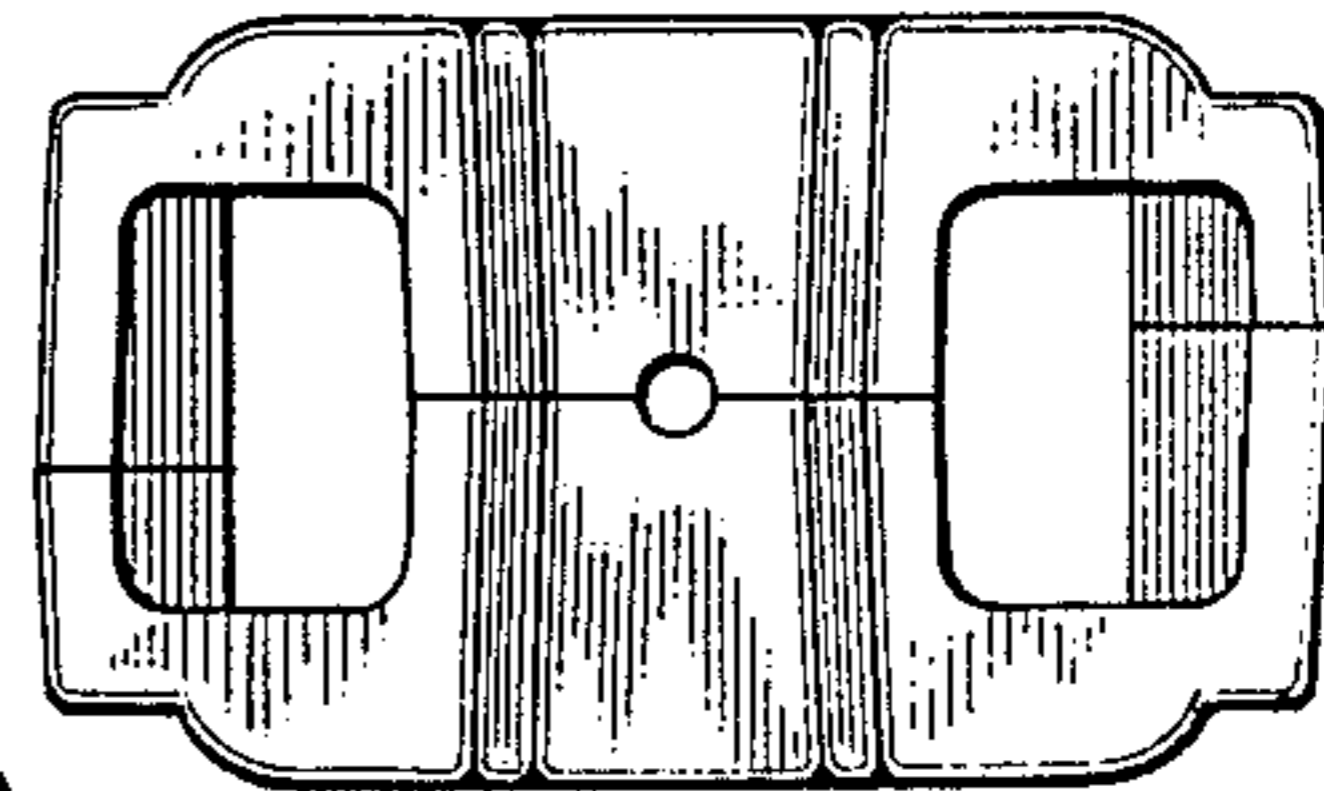


FIG. 19