

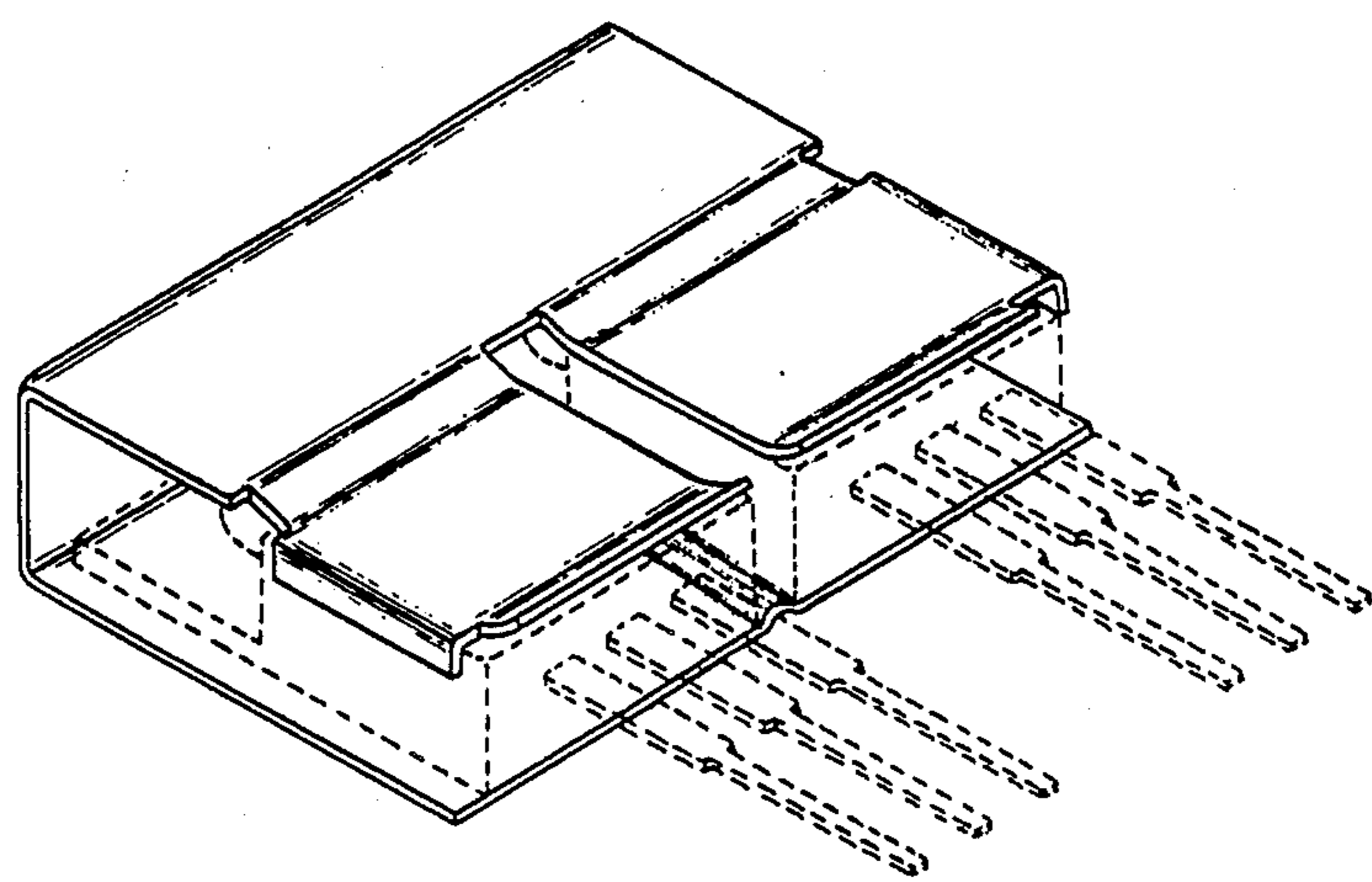
[54] **SPRING-CLIP HEAT SINK FOR A PAIR OF ELECTRONIC DEVICES**  
[75] **Inventor: Alfred F. McCarthy, Belmont, N.H.**  
[73] **Assignee: Aavid Engineering, Inc., Laconia, N.H.**  
[\*\*] **Term: 14 Years**  
[21] **Appl. No.: 19,549**  
[22] **Filed: Feb. 26, 1987**  
[52] **U.S. Cl. .... D13/23**  
[58] **Field of Search .... D13/23; 174/16 HS; 361/386, 388; 357/81; 165/80.1, 80.2, 80.3, 185**

[56] **References Cited**  
**U.S. PATENT DOCUMENTS**  
D. 267,942 2/1983 McCarthy ..... D13/23  
4,222,090 9/1980 Jaffe ..... 165/80.3 X

4,537,246 8/1985 Lloyd ..... 357/81 X  
*Primary Examiner*—Susan J. Lucas

[57] **CLAIM**  
The ornamental design for a spring-clip heat sink for a pair of electronic devices, as shown and described.

**DESCRIPTION**  
FIG. 1 is a top, front perspective view of a spring-clip heat sink for a pair of electronic devices showing my new design, the electronic devices being shown in broken lines for illustrative purposes only;  
FIG. 2 is a top plan view thereof;  
FIG. 3 is a bottom plan view thereof;  
FIG. 4 is a side elevational view thereof as seen from the left of FIG. 1;  
FIG. 5 is a side elevational view thereof as seen from the right of FIG. 1;  
FIG. 6 is a front elevational view thereof; and  
FIG. 7 is a rear elevational view thereof.



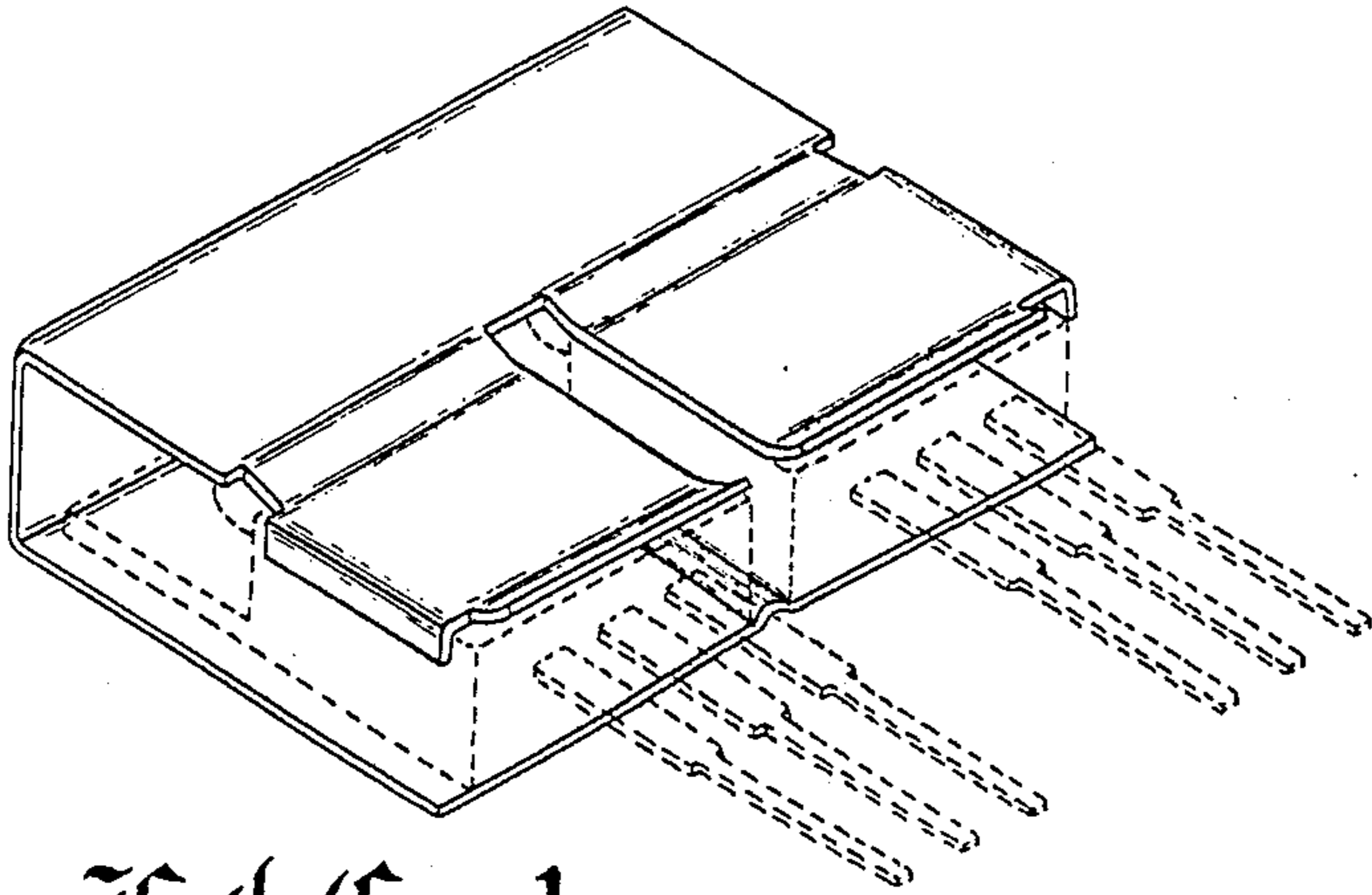


FIG. 1

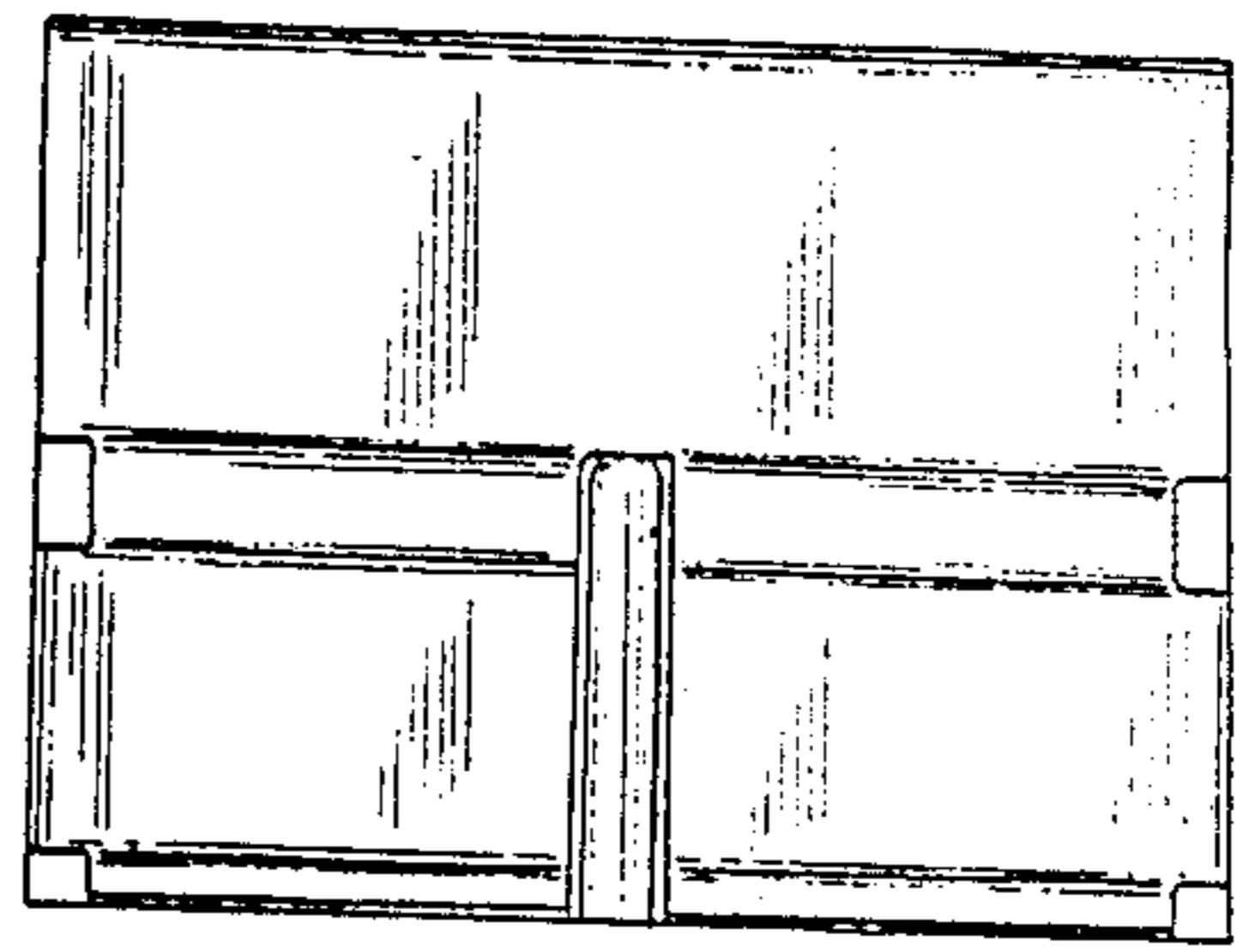


FIG. 2

FIG. 3

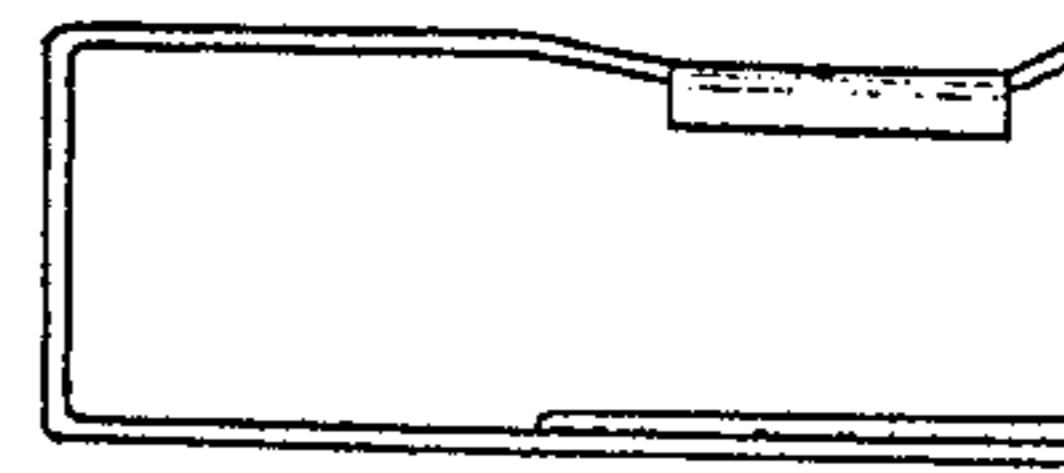
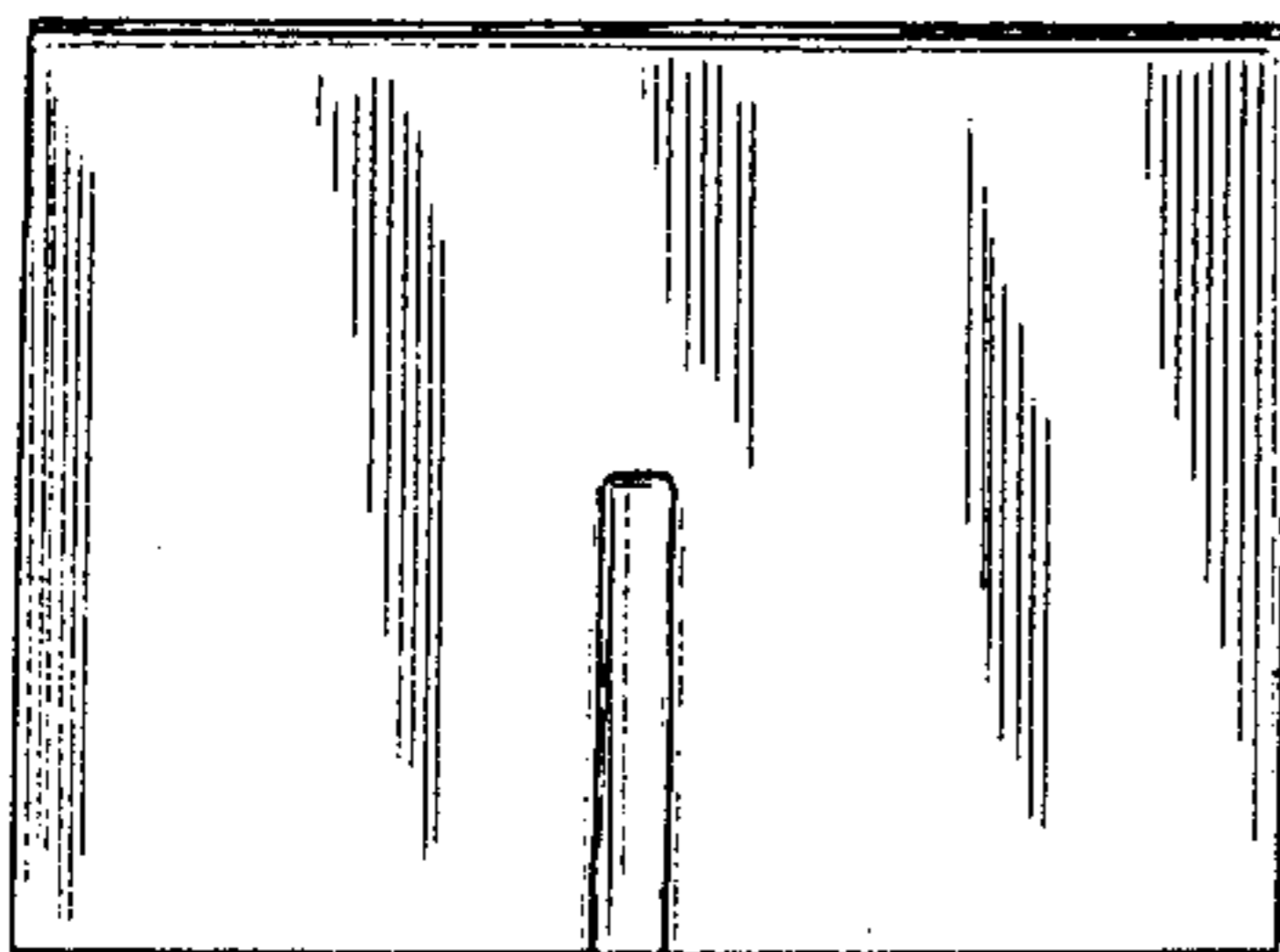


FIG. 4

FIG. 5

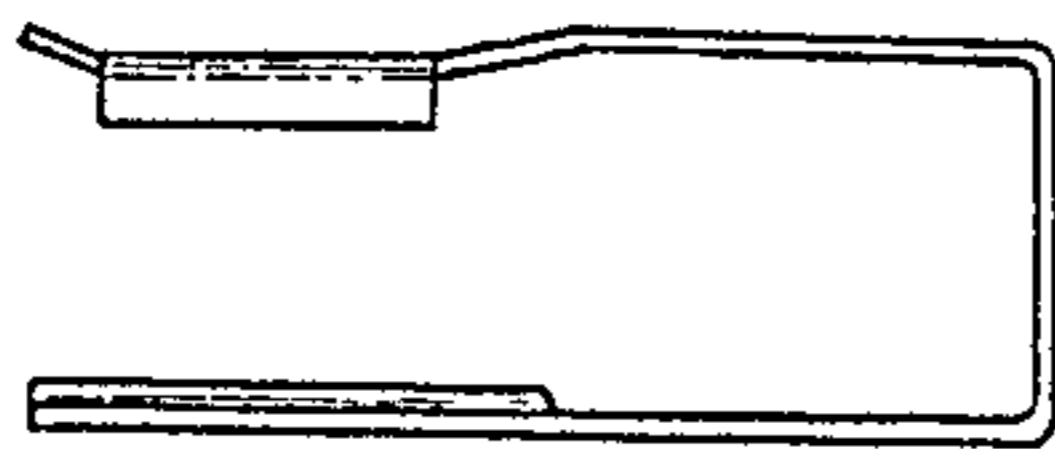


FIG. 6



FIG. 7

